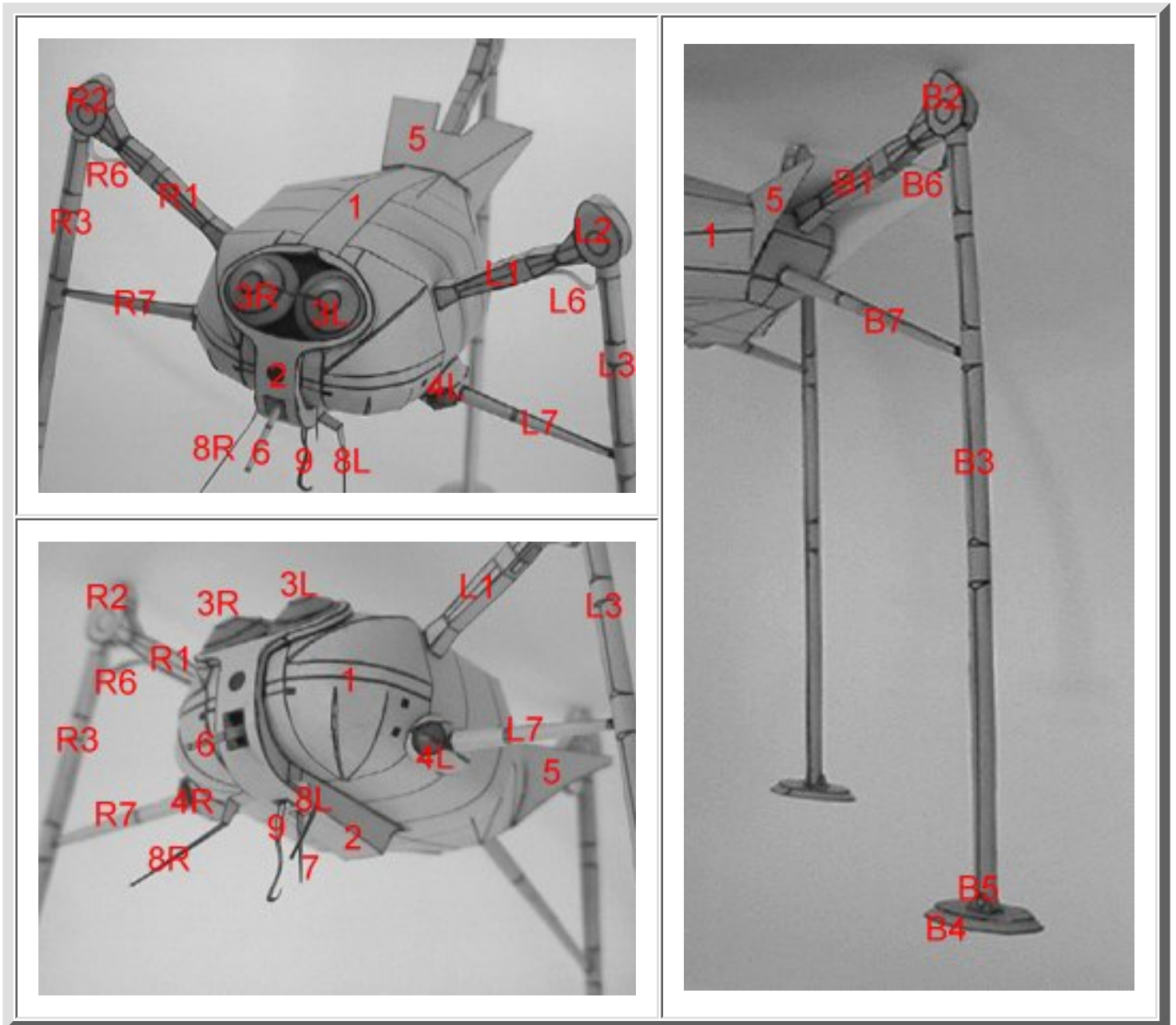


Martian Tripod

General Notes

- These instructions mainly deal with the assembly order and some problems that might arise during assembly.
- For the exact shape and position of the parts refer to the pictures and the lightyellow markings on the parts.
- This model contains several rather thin parts. Although these make the model look better, they also make it more difficult to assemble. Work carefully on these parts.
- Always glue a part into shape first, then attach it to the other parts.



The Body

Assemble the parts in the order they are marked. When a part is marked L or R, it means it is the left or right part.

Part 1 is probably easiest glued in shape by glueing the sides together to get a sort of cylindrical shape first, then handling the front and ending at the back.

Cut out the parts marked * from part 2.

Note that although parts 3 are partially covered by part 2, it's still best to attach part 2 to part 1 first. It will all fit better that way.

To make sure parts 7, 8 and 9 won't be damaged, attach them to the body after attaching the legs. Part 7 points backwards.

The Legs

With the legs as well assemble the parts in the order they are marked. Here the letters stand for (L)eft, (R)ight and (B)ack. Although B1 and B7 are slightly different from their L and R counterparts, all three legs are assembled in the same way.

The side of Part 1 that has the yellow rectangle showing where part 6 is to be attached is the down side.

Part 2 is attached to part 3 at the end with the yellow rectangles (which too show where to attach part 6).

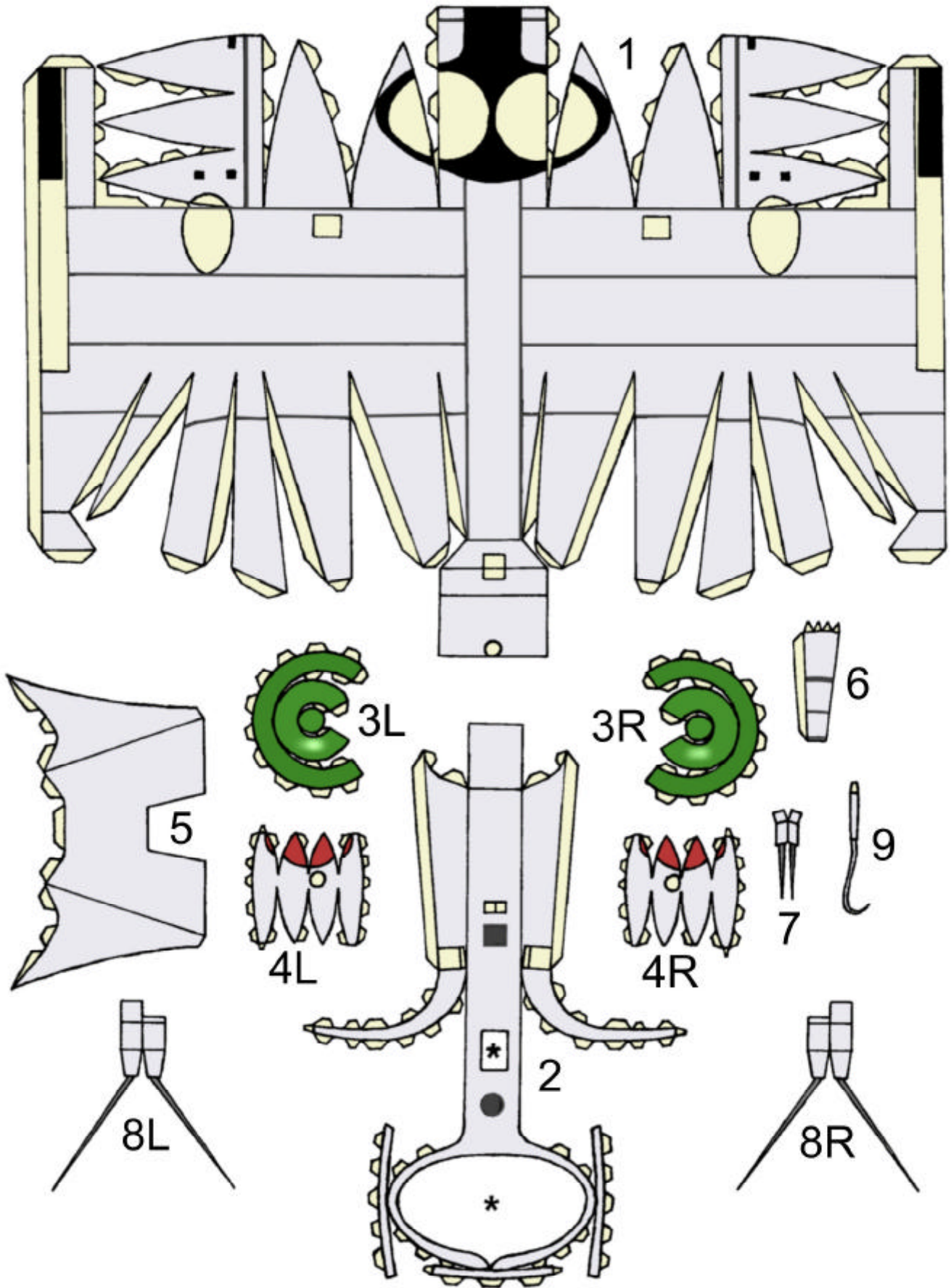
Cut through bith straight lines on part 4 and slit part 5 through from under.

When parts 1-6 are assembled, roll and glue part 7 into shape, but don't yet attach it. First attach the leg to the body and then glue part 7 on both ends.



<http://members.xoom.com/cutnpastesf>
edejong@stones.com

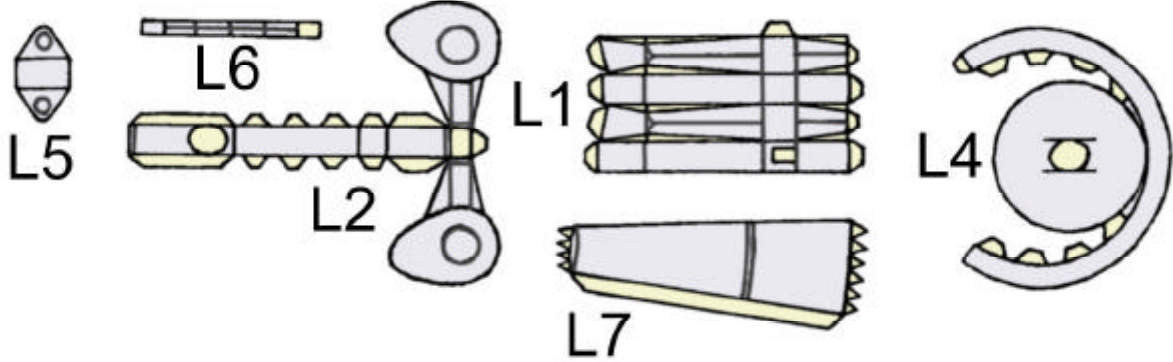
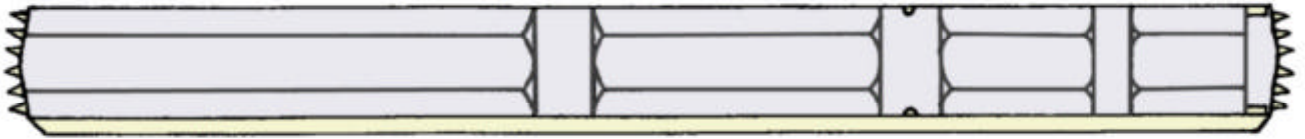
BODY



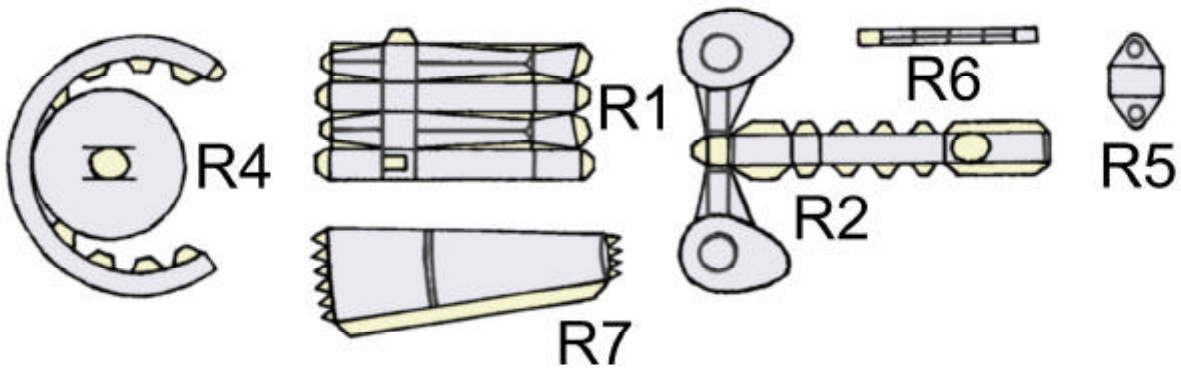
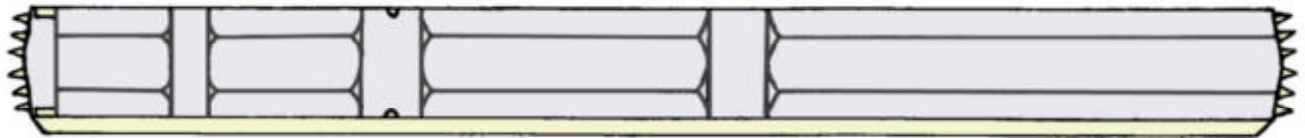
*) CUT OUT

LEGS

L3



R3



B3

