

**Model ID:** **BD-2A**  
**Catch Name:** **'Red Fury'**  
**Type:** **Heavy Infantry**

**IN THIS FILE YOU'LL FIND ALL NECESSARY MODULES EXCEPTING E.9.2 AND E.14.2. ALTERNATIVELY YOU CAN USE THE APPROPRIATE MODULE'S FILE(S). IN FILES OF THE MODULES YOU'LL FIND ADDITIONAL INFORMATION.**

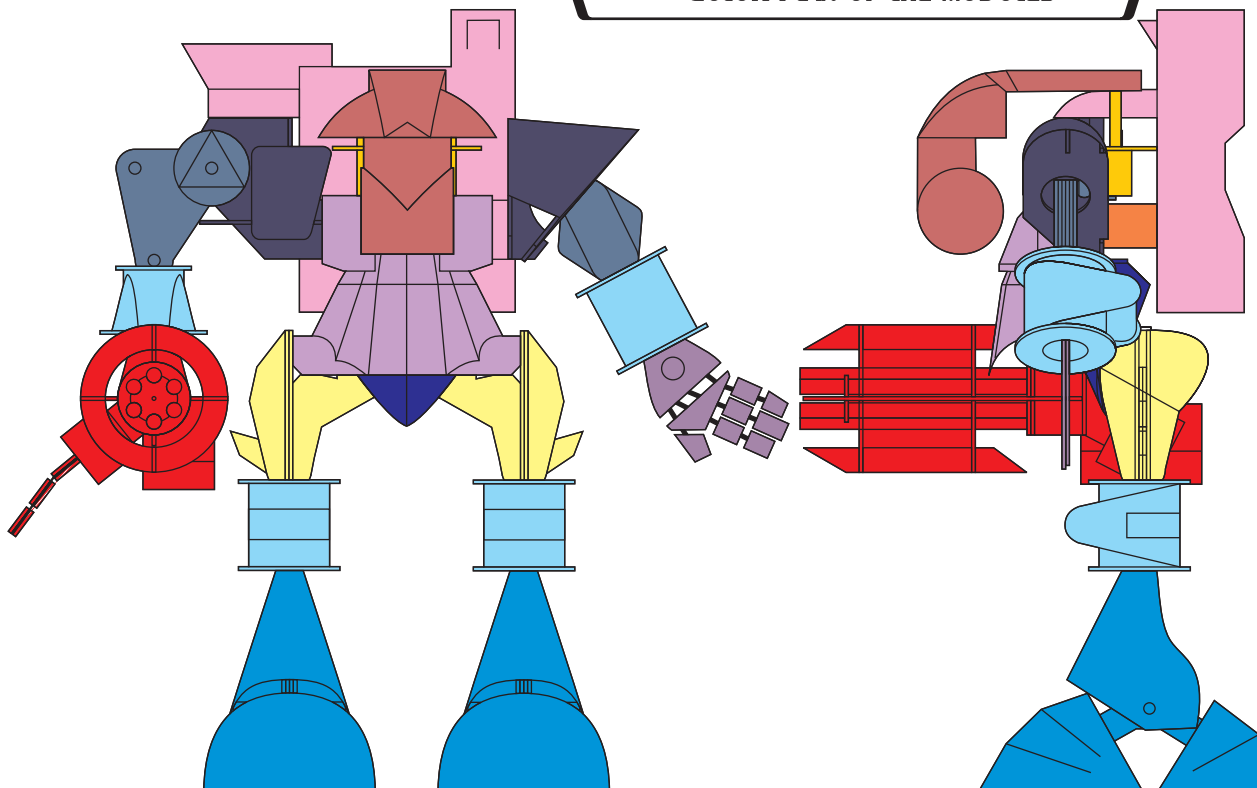
**FOR MORE INSTRUCTIONS REFER TO [http://ROBOTS.PHOBBY.COM](http://robots.phobby.com) - SECTIONS:**

- 'PART BIN'
- 'ROBOTS' -> A.2.I
- 'GALLERIES' -> A.2.I

**Modules used in figure**

ID	MODULE'S FILE	PRESENTATION COLOR
E.1.2	e_1_2.pdf	Light Blue
E.1.3	e_1_3.pdf	Light Blue
E.2.2	e_2_2.pdf	Blue
E.3.1	e_3_1.pdf	Dark Blue
E.4.1	e_4_1.pdf	Blue-Gray
E.4.2	e_4_2.pdf	Blue-Gray
E.5.1	e_5_1.pdf	Dark Purple
E.5.2	e_5_2.pdf	Dark Purple
E.6.1	e_6_1.pdf	Purple
E.7.1	e_7_1.pdf	Purple
E.8.2	e_8_2.pdf	Pink
E.9.2	e_9_2.pdf	Pink
E.10.2	e_10_2.pdf	Red
E.11.2	e_11_2.pdf	Orange
E.12.2	e_12_2.pdf	Yellow
E.13.2	e_13_2.pdf	Yellow
E.14.2	e_14_2.pdf	Red

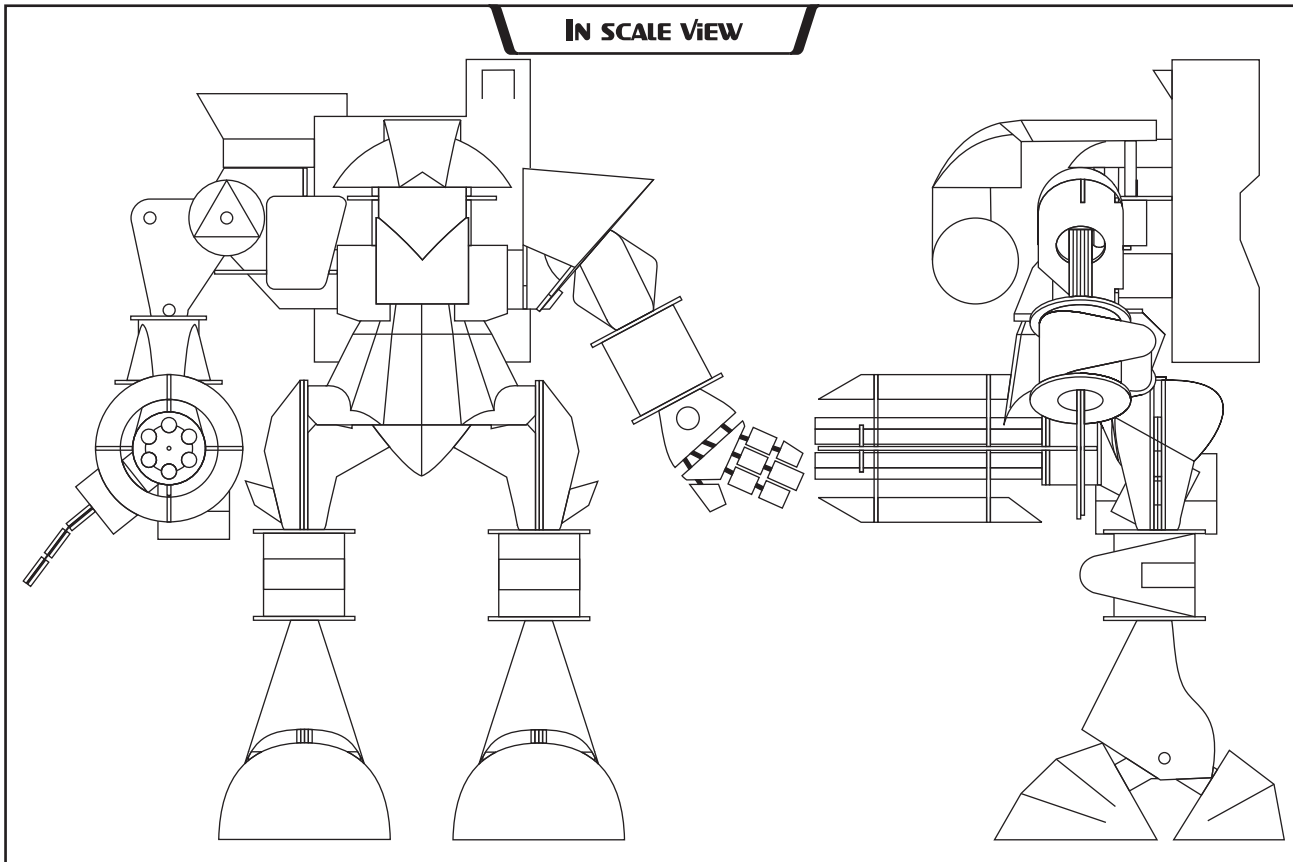
**COLOR PLAN OF THE MODULES**



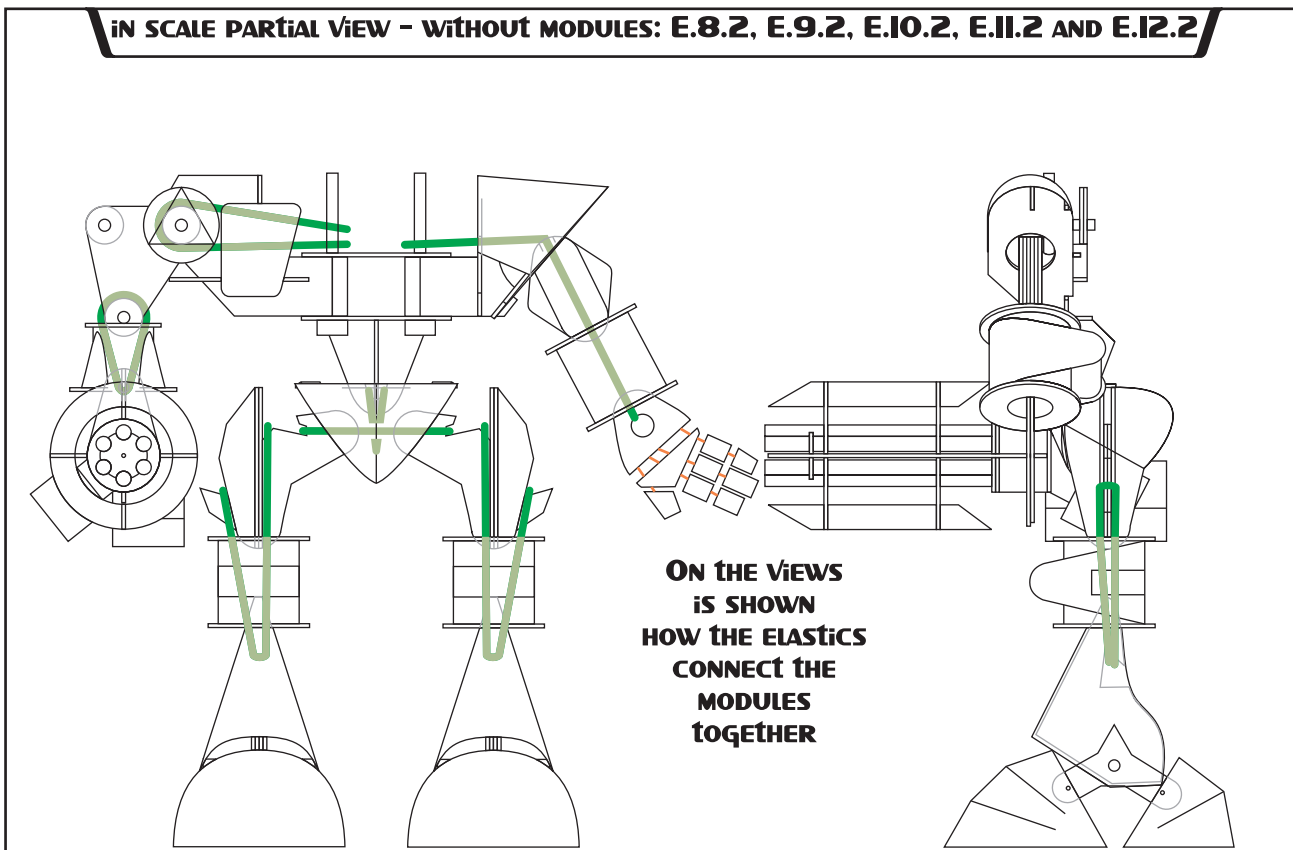
CM

INCHES

**IN SCALE VIEW**

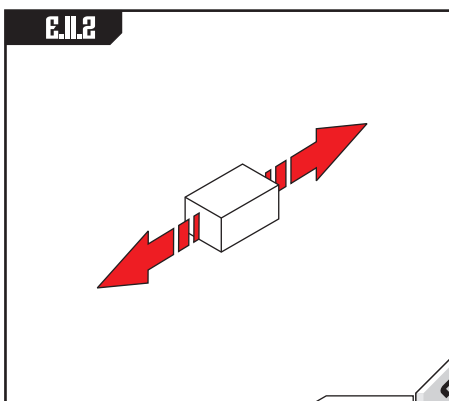
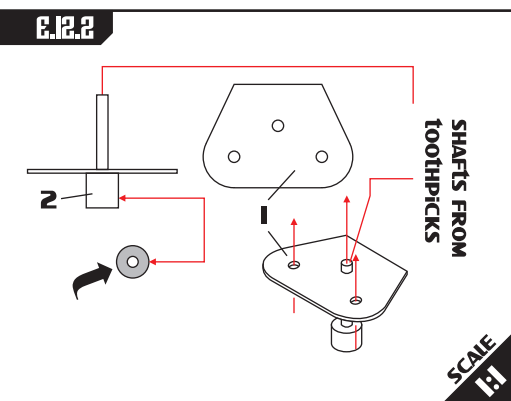
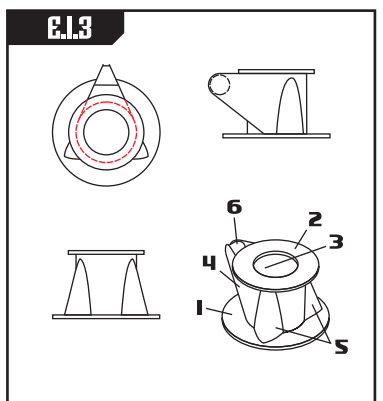
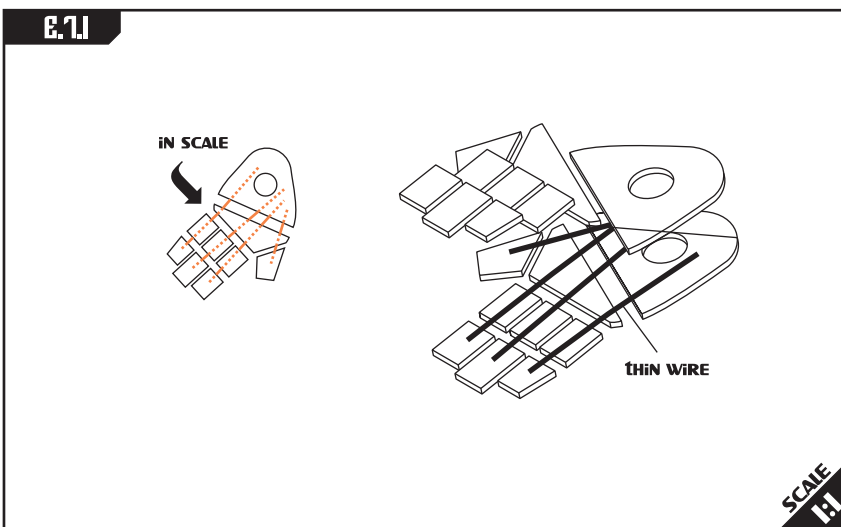
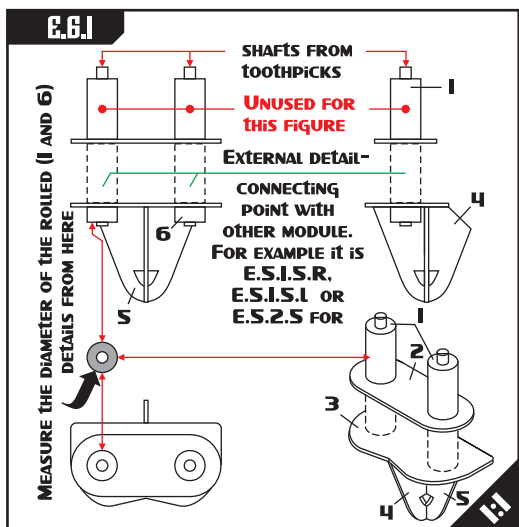
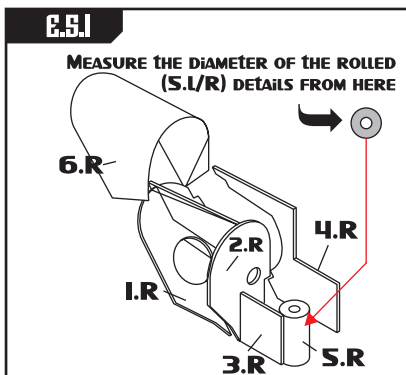
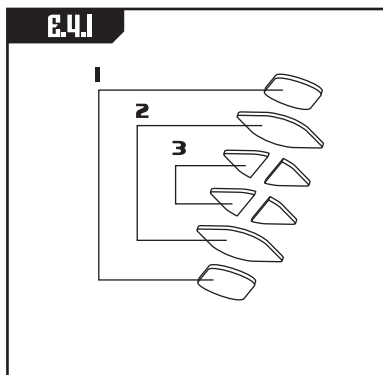
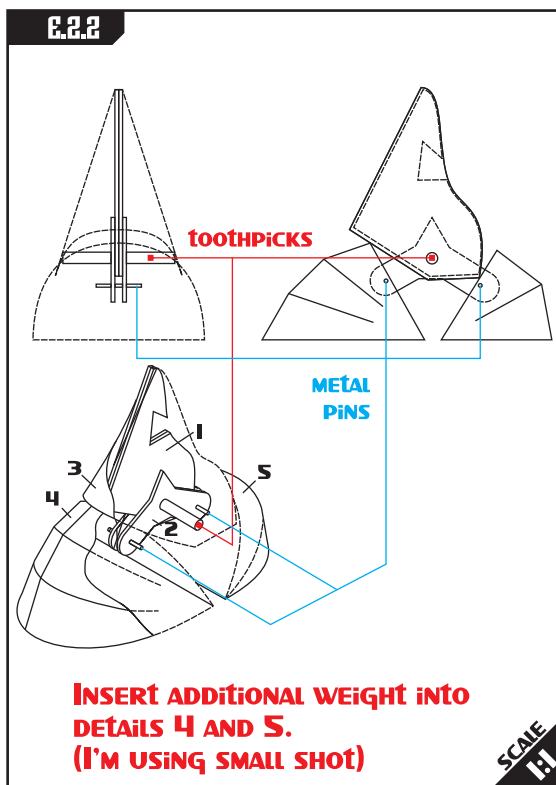
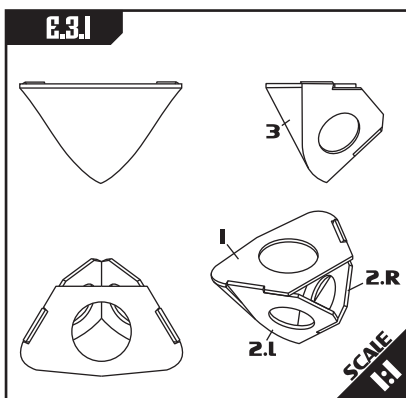
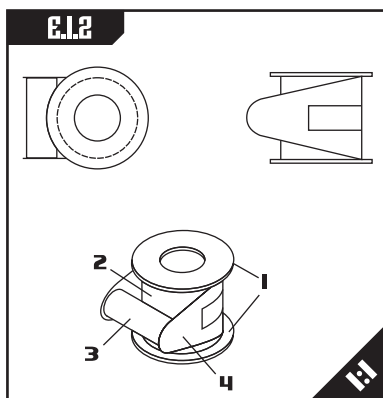


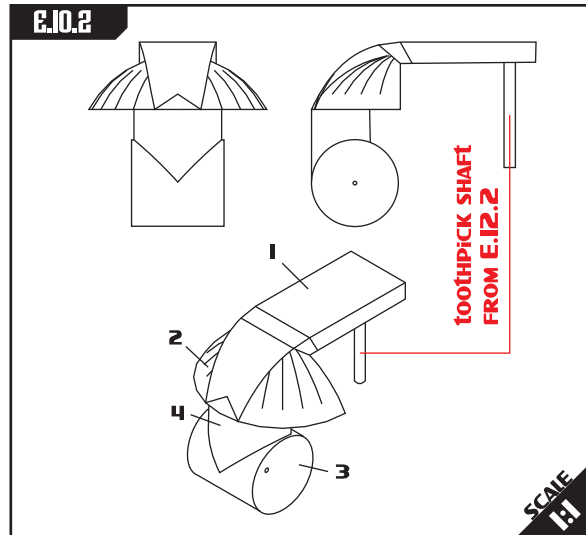
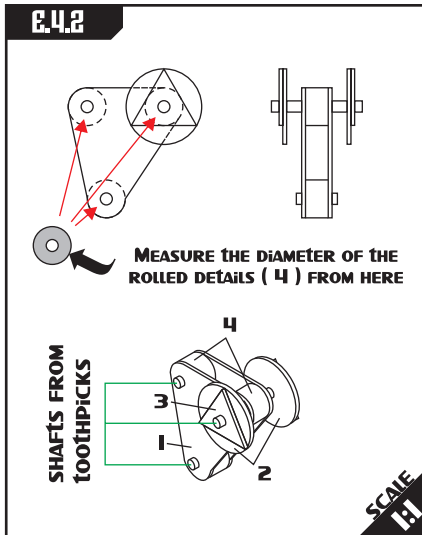
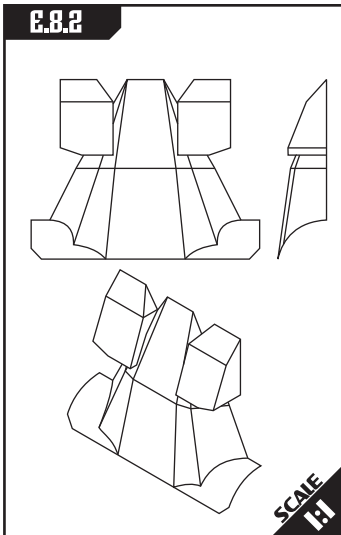
**IN SCALE PARTIAL VIEW - WITHOUT MODULES: E.8.2, E.9.2, E.10.2, E.11.2 AND E.12.2**



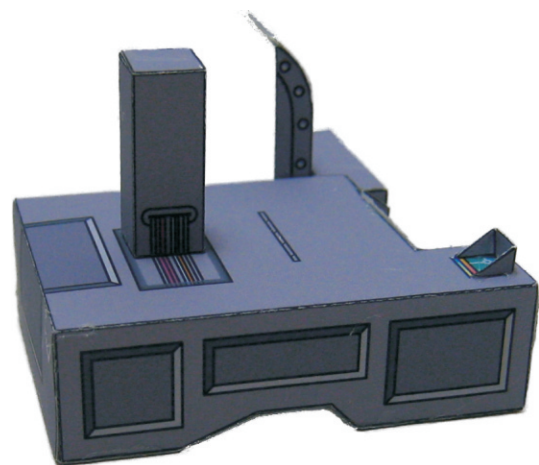
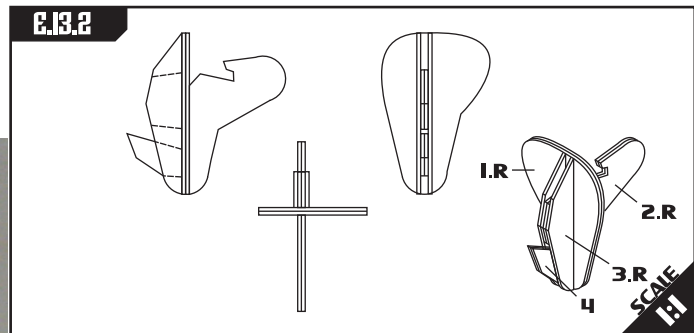
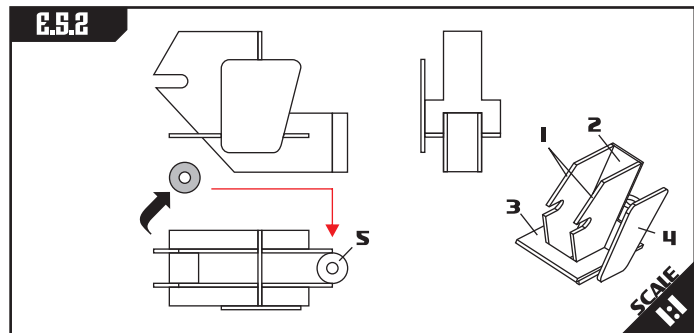
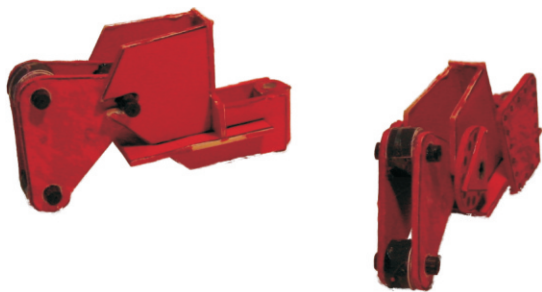
**ON THE VIEWS  
IS SHOWN  
HOW THE ELASTICS  
CONNECT THE  
MODULES  
TOGETHER**

MODULES' VIEWS AND SKETCHES



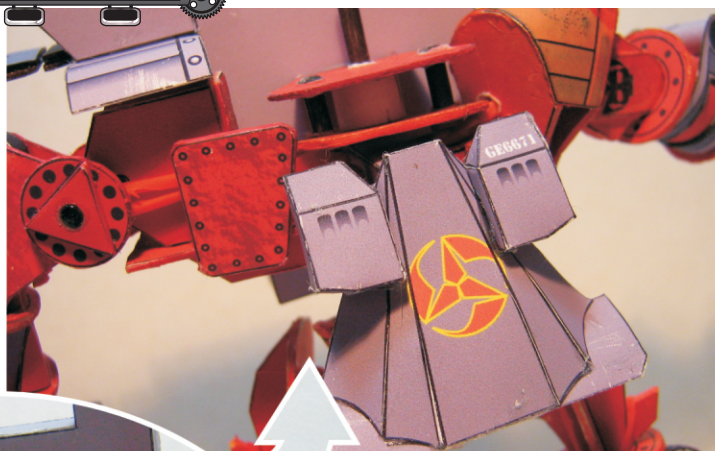
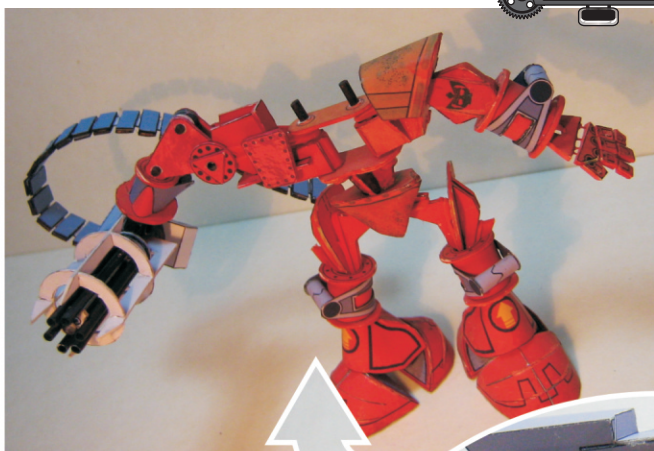


**ELEMENTS E.9.2 AND E.14.2 AREN'T INCLUDED IN PRESENT FILE - USE THEIR OWN FILES - E\_9\_2.PDF AND E\_14\_2.PDF.**





BD-2A Heavy Infantry



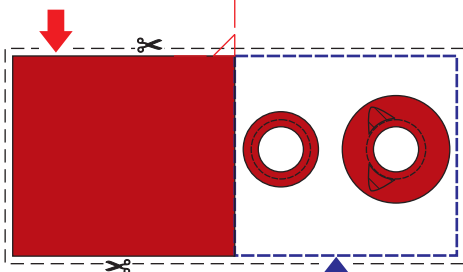
CM

INCHES

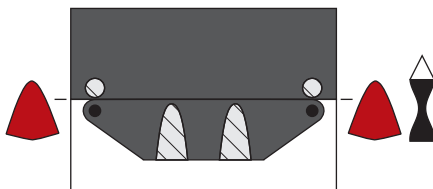
5

**E.1.3**

**BEND AND GLUE ON THE BACK SIDE OF THE THICK CARDBOARD**



**GLUE THE BORDERED AREA ON A SHEET OF 0.5 MM THICK CARDBOARD**



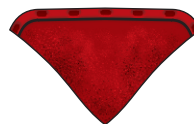
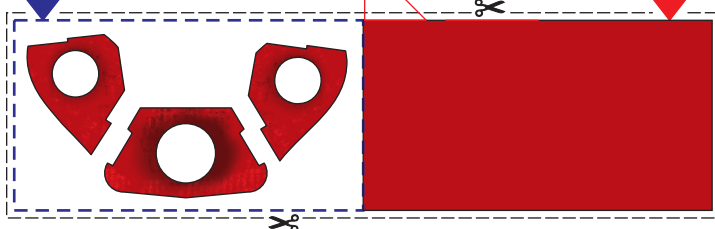
**Roll in this direction**



**E.3.1**

**GLUE THE BORDERED AREA ON A SHEET OF 0.5 MM THICK CARDBOARD**

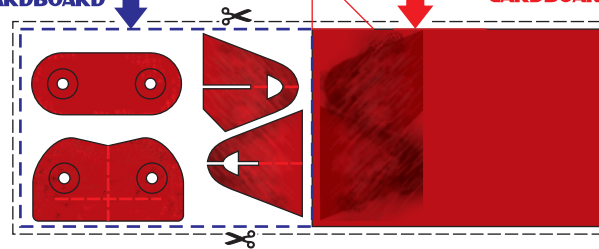
**BEND AND GLUE ON THE BACK SIDE OF THE THICK CARDBOARD**



**E.6.1**

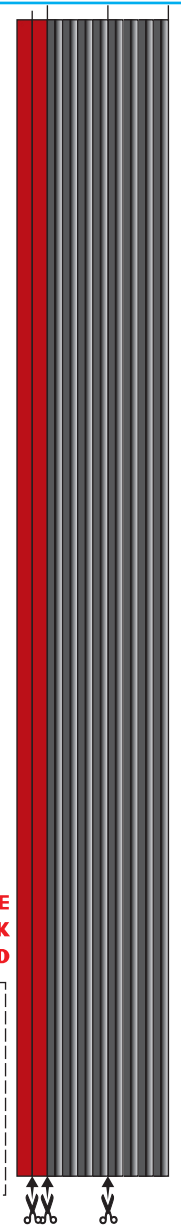
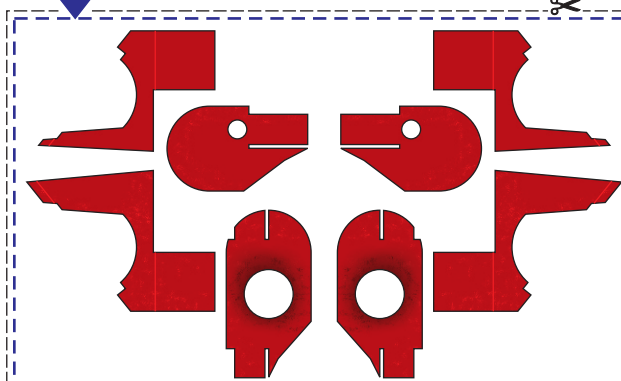
**GLUE THE BORDERED AREA ON A SHEET OF 0.5 MM THICK CARDBOARD**

**BEND AND GLUE ON THE BACK SIDE OF THE THICK CARDBOARD**



**GLUE THE BORDERED AREA ON A SHEET OF 0.5 MM THICK CARDBOARD**

**BEND AND GLUE ON THE BACK SIDE OF THE THICK CARDBOARD**



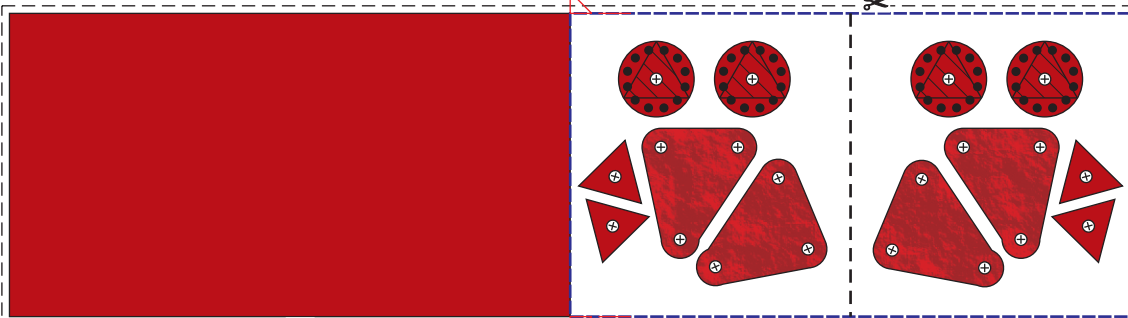
**E.4.1**

**GLUE THE BORDERED AREA ON A SHEET OF 0.5 MM THICK CARDBOARD**



**BANDS FOR ROLLED DETAILS**

**E.4.2**

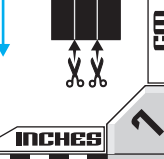
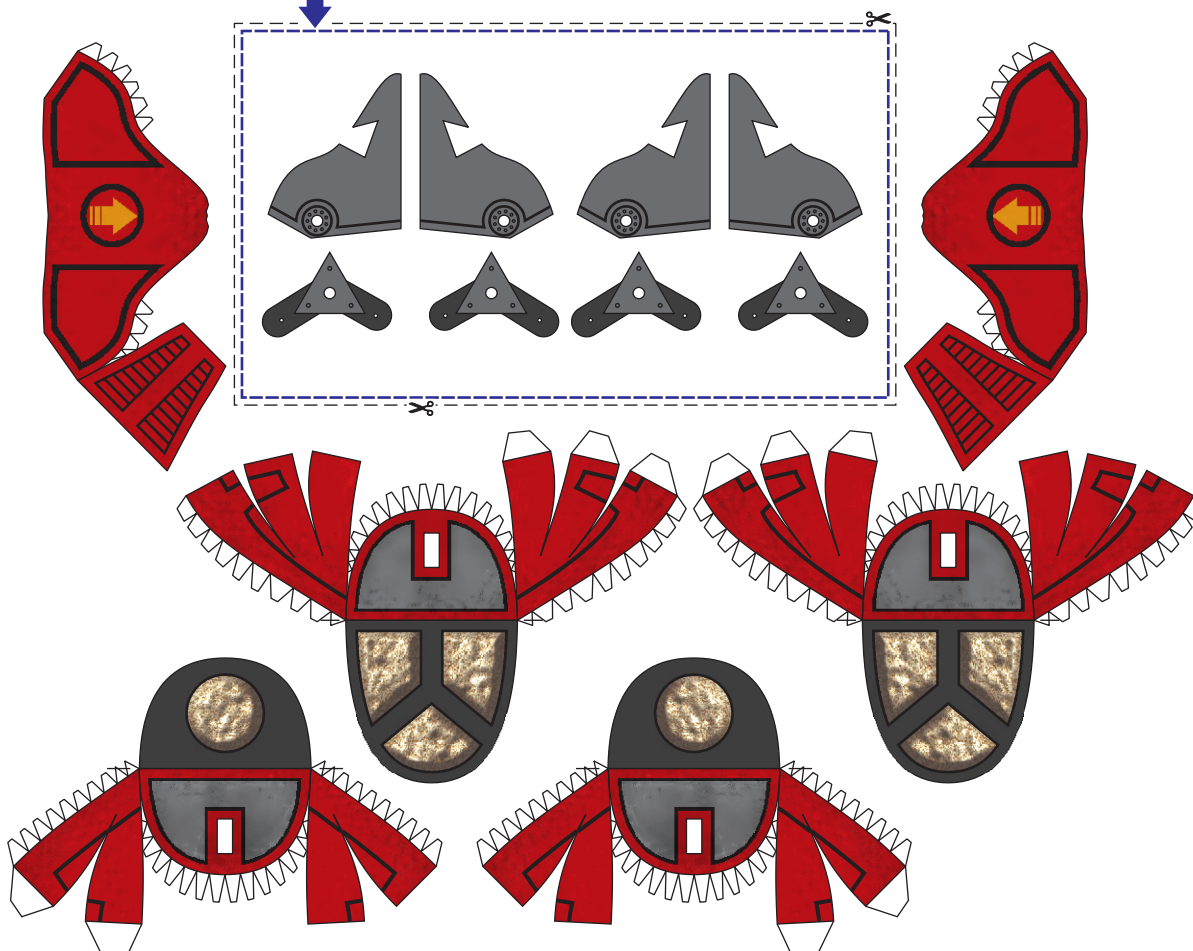


**BEND AND GLUE ON THE BACK SIDE OF THE THICK CARDBOARD**

**GLUE THE BORDERED AREA ON A SHEET OF 0.5 MM THICK CARDBOARD**

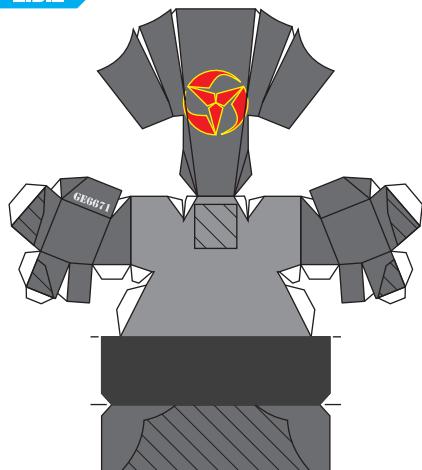
**E.2.2**

**GLUE THE BORDERED AREA ON A SHEET OF 0.5 MM THICK CARDBOARD**

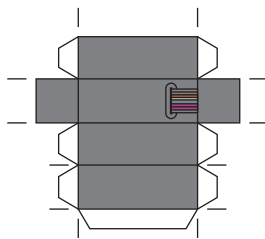




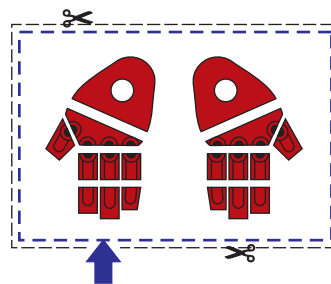
E.8.2



E.11.2

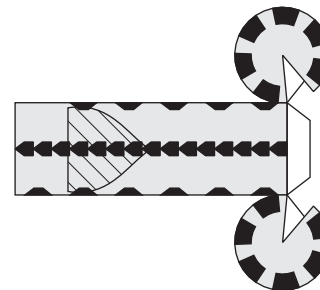
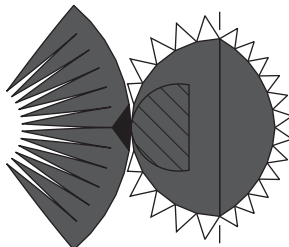
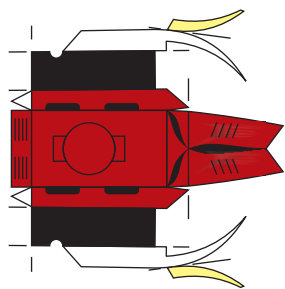


E.7.1



GLUE THE BORDERED AREA ON A SHEET OF 0.5 MM THICK CARDBOARD

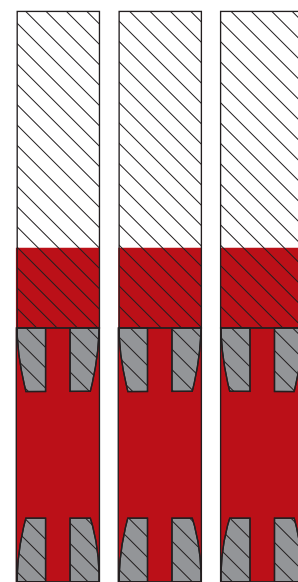
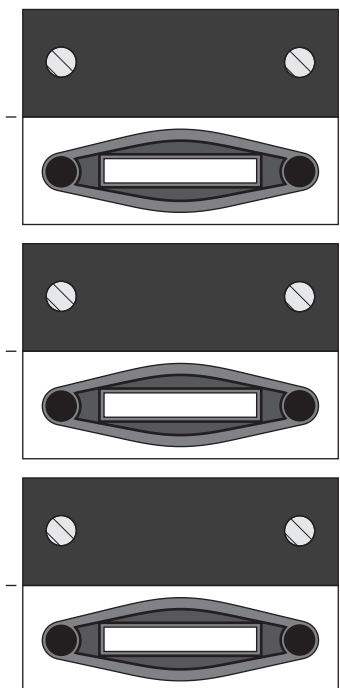
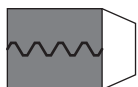
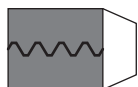
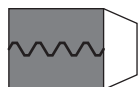
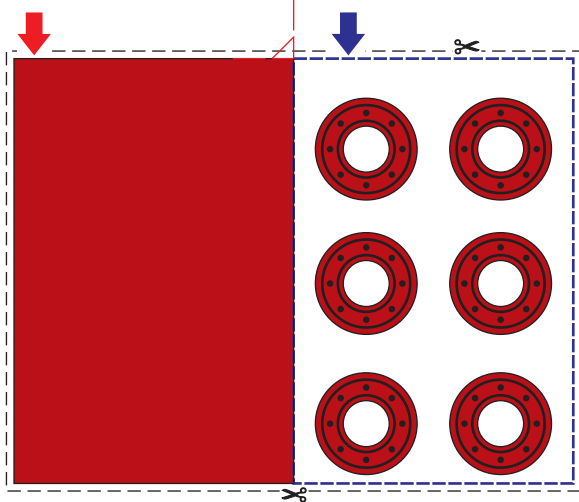
E.10.2



**BEND AND GLUE ON THE BACK SIDE OF THE THICK CARDBOARD**

**GLUE THE BORDERED AREA ON A SHEET OF 0.5 MM THICK CARDBOARD**

E.1.2



CM

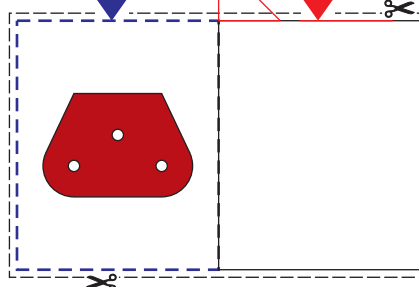
INCHES

8

**E.12.1**

**GLUE THE BORDERED AREA ON A SHEET OF 0.5 MM THICK CARDBOARD**

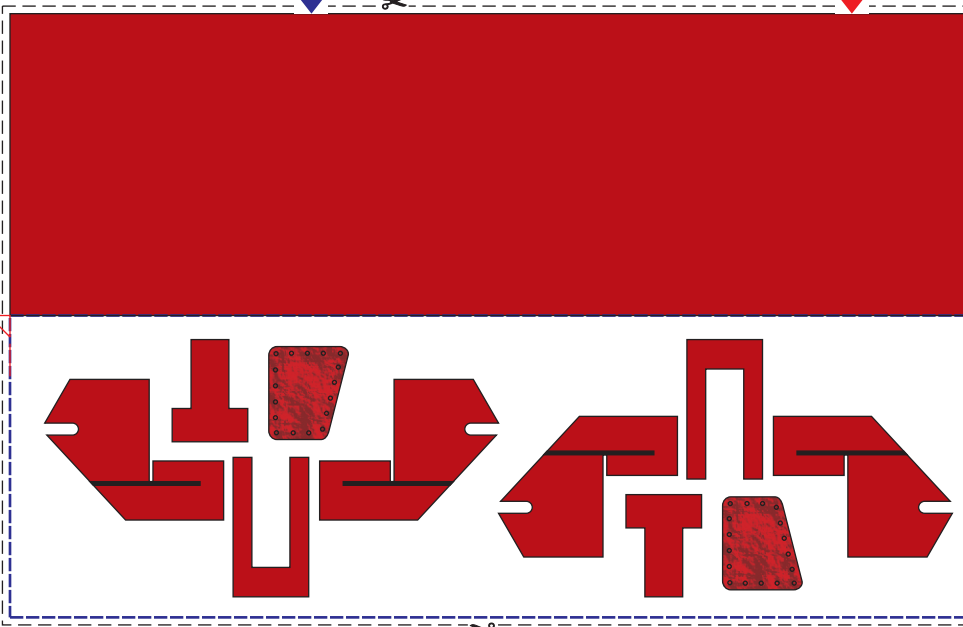
**BEND AND GLUE ON THE BACK SIDE OF THE THICK CARDBOARD**



**E.5.2**

**GLUE THE BORDERED AREA ON A SHEET OF 0.5 MM THICK CARDBOARD**

**BEND AND GLUE ON THE BACK SIDE OF THE THICK CARDBOARD**

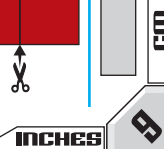
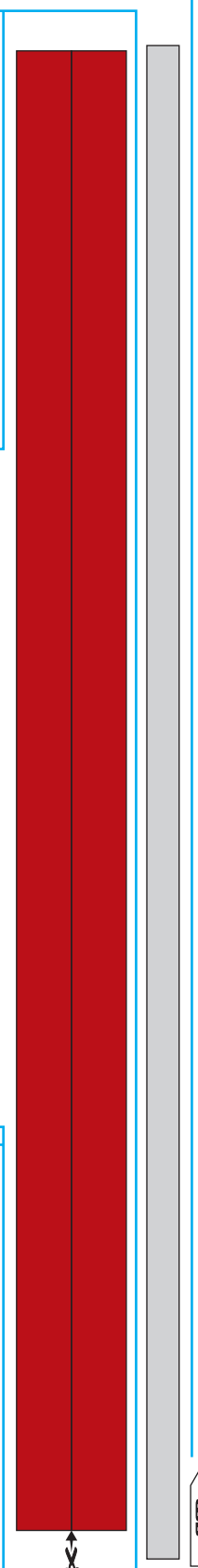
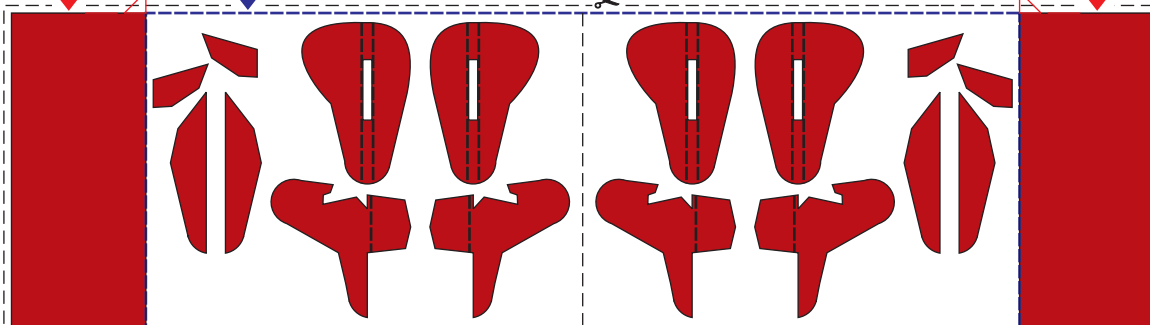


**E.13.2**

**BEND AND GLUE ON THE BACK SIDE OF THE THICK CARDBOARD**

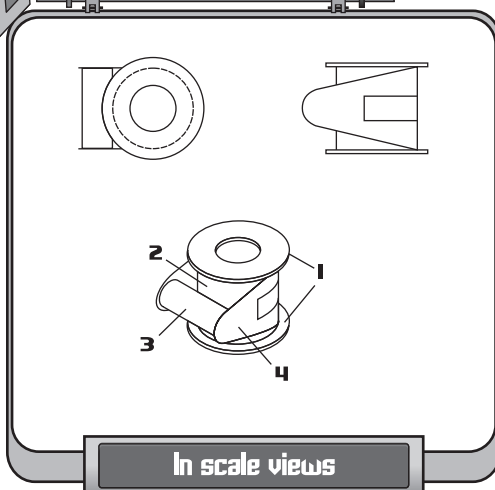
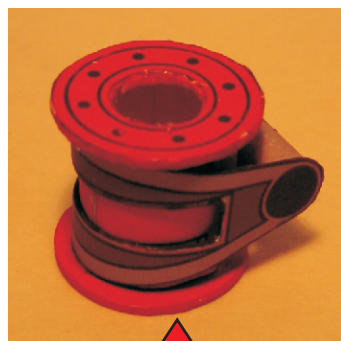
**GLUE THE BORDERED AREA ON A SHEET OF 0.5 MM THICK CARDBOARD**

**BEND AND GLUE ON THE BACK SIDE OF THE THICK CARDBOARD**

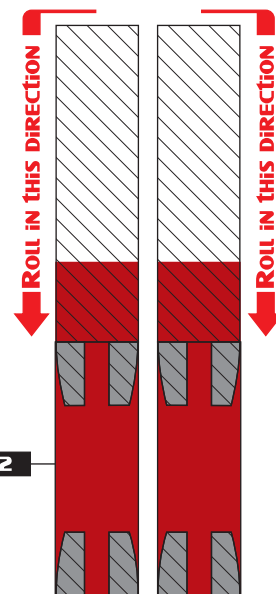
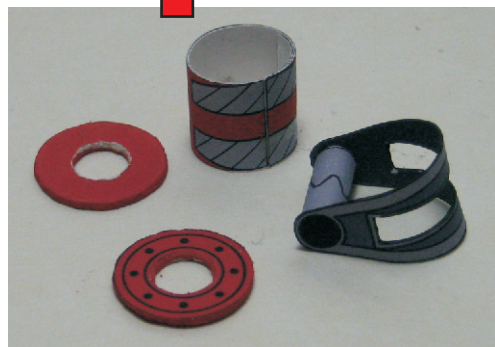


E.1.2

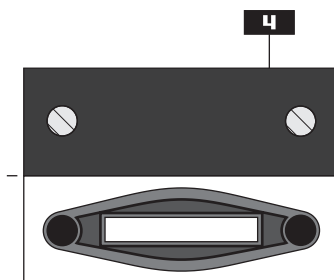
QUANTITY OF ELEMENTS ON THE SHEET: 4



In scale views



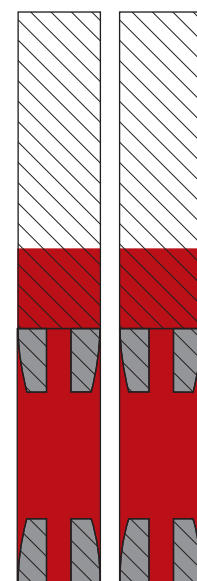
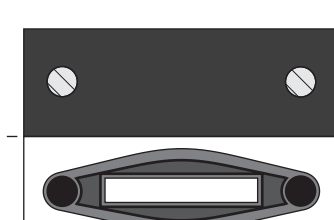
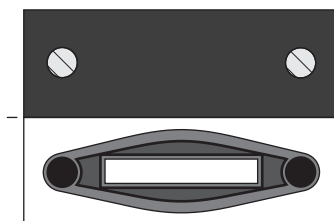
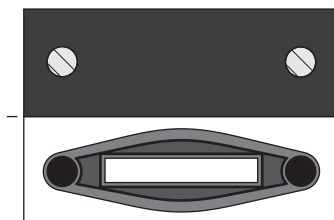
2



4

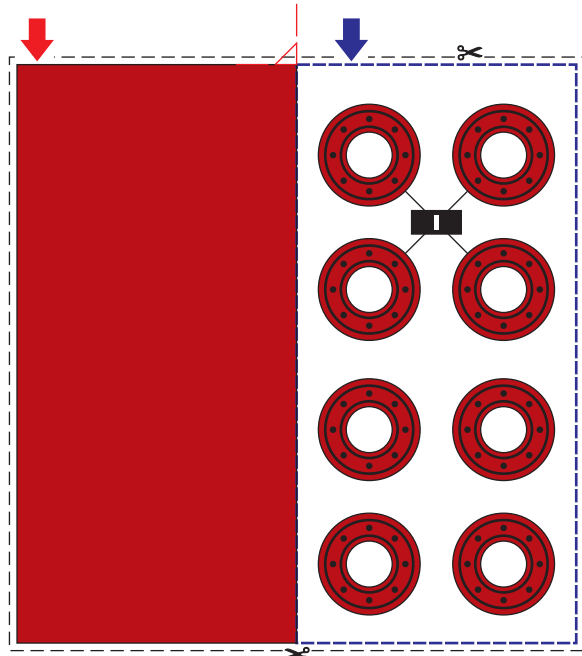


3



**BEND AND GLUE ON THE BACK SIDE OF THE THICK CARDBOARD**

**GLUE THE BORDERED AREA ON A SHEET OF 0.5 MM THICK CARDBOARD**

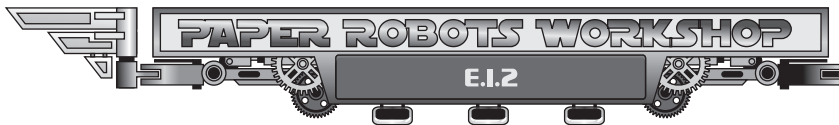


1

CM

INCHES

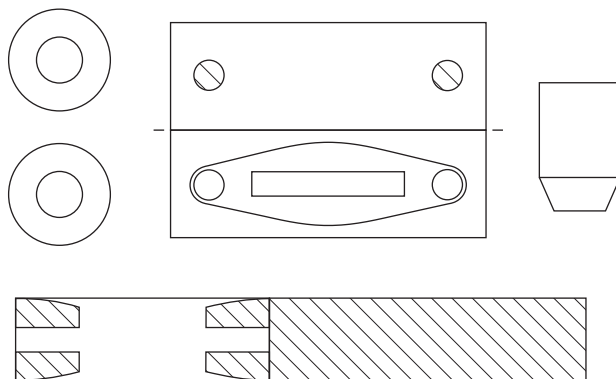




QUANTITY OF ELEMENTS  
ON THE SHEET:

1

FOR MORE INFORMATION, VISIT THE MODULE'S WEB PAGE IN <http://ROBOTS.PHOBBY.COM>



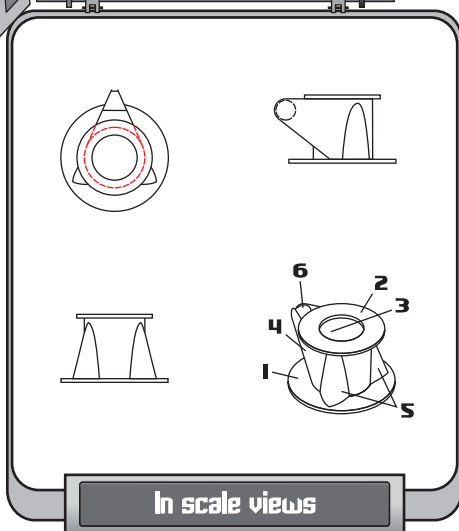
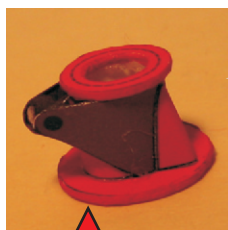
CM

INCHES

2

E.1.3

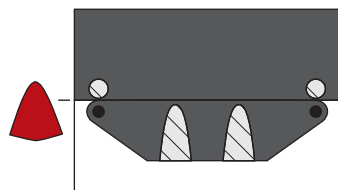
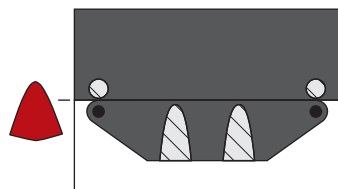
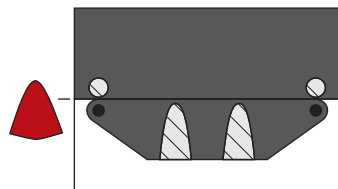
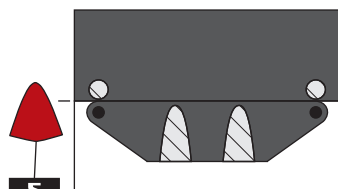
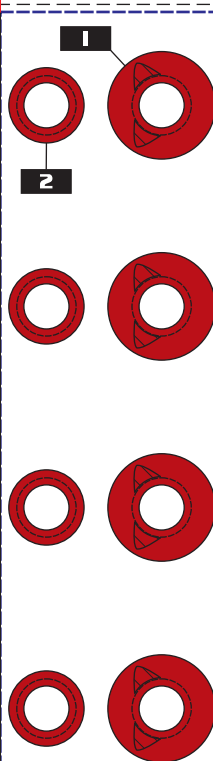
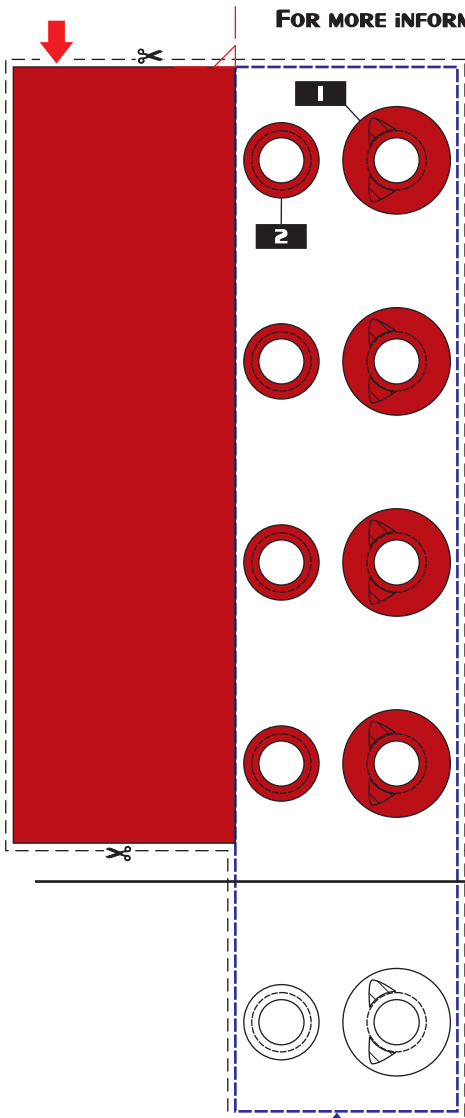
QUANTITY OF ELEMENTS ON THE SHEET: **11**



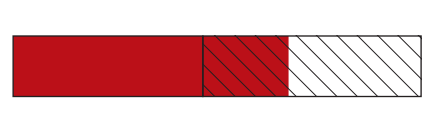
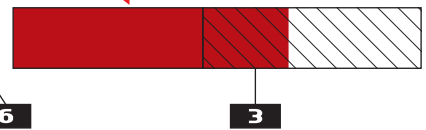
In scale views

**BEND AND GLUE ON THE BACK SIDE OF THE THICK CARDBOARD**

FOR MORE INFORMATION, VISIT THE MODULE'S WEB PAGE IN <http://ROBOTS.PHOBBY.COM>

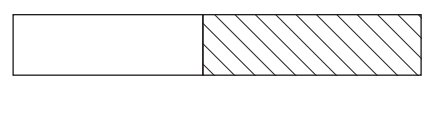
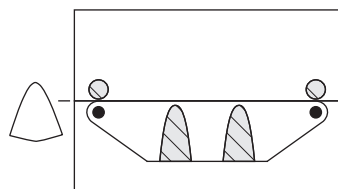


← **ROLL IN THIS DIRECTION**



'RED' VERSION ↑

'BLACK / WHITE' VERSION ↓



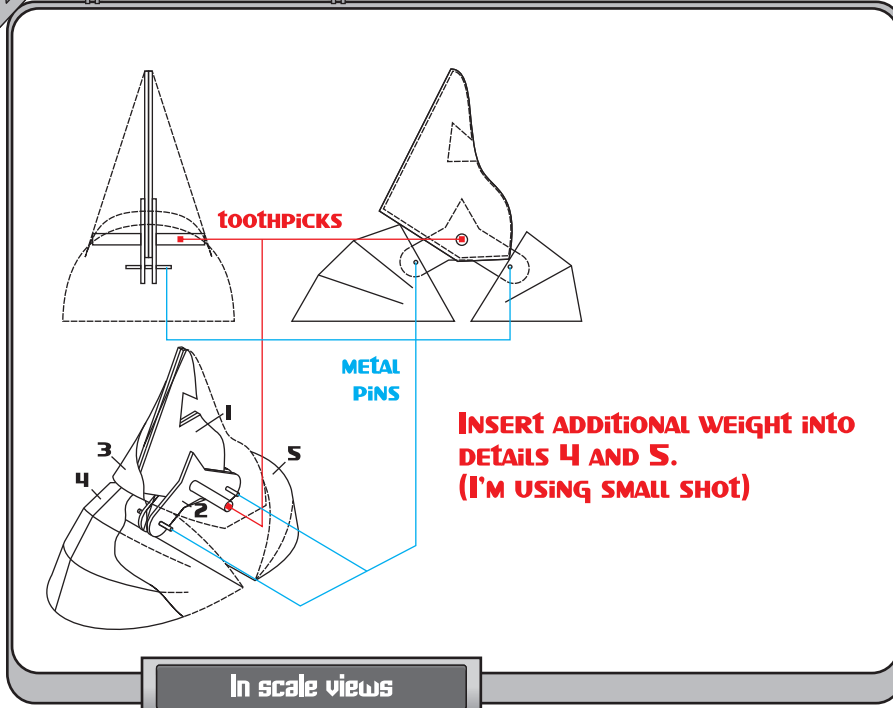
**GLUE THE BORDERED AREA ON A SHEET OF 0.5 MM THICK CARDBOARD**

CM

INCHES

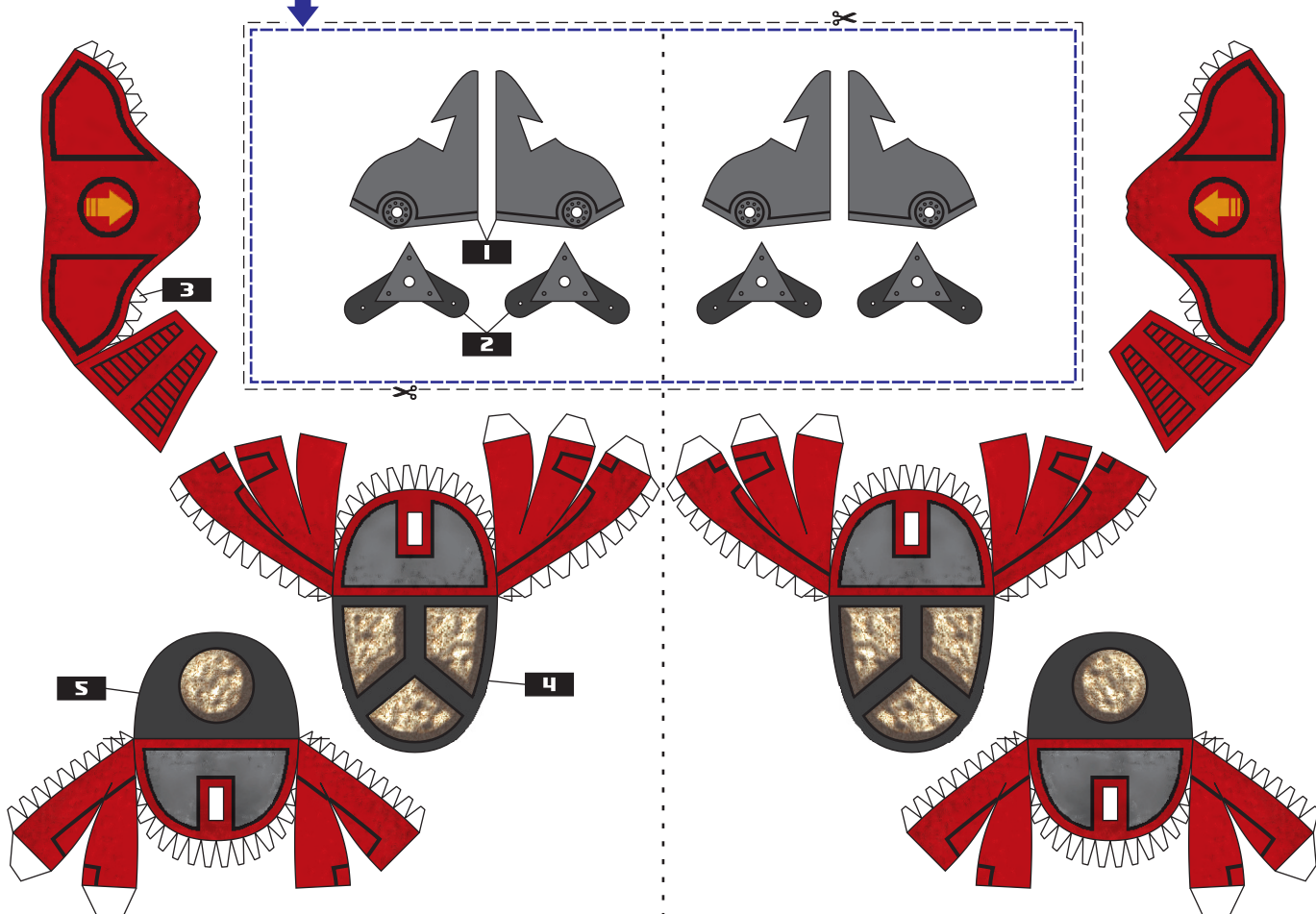


**INSERT ADDITIONAL WEIGHT INTO DETAILS 4.R, 4L AND 5. (I'M USING SMALL SHOT)**

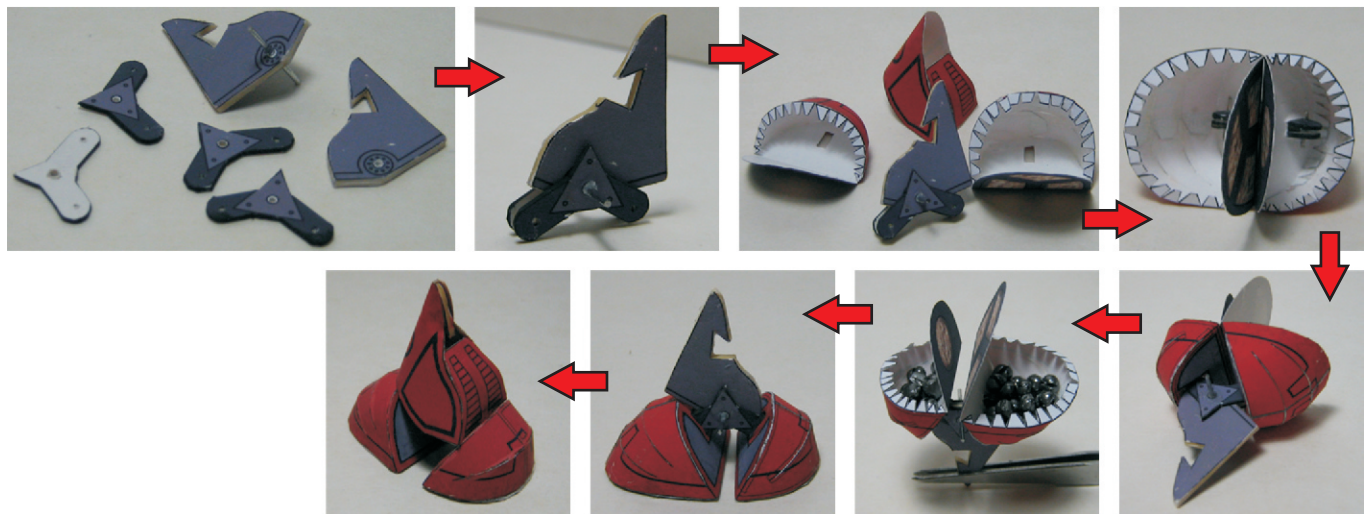
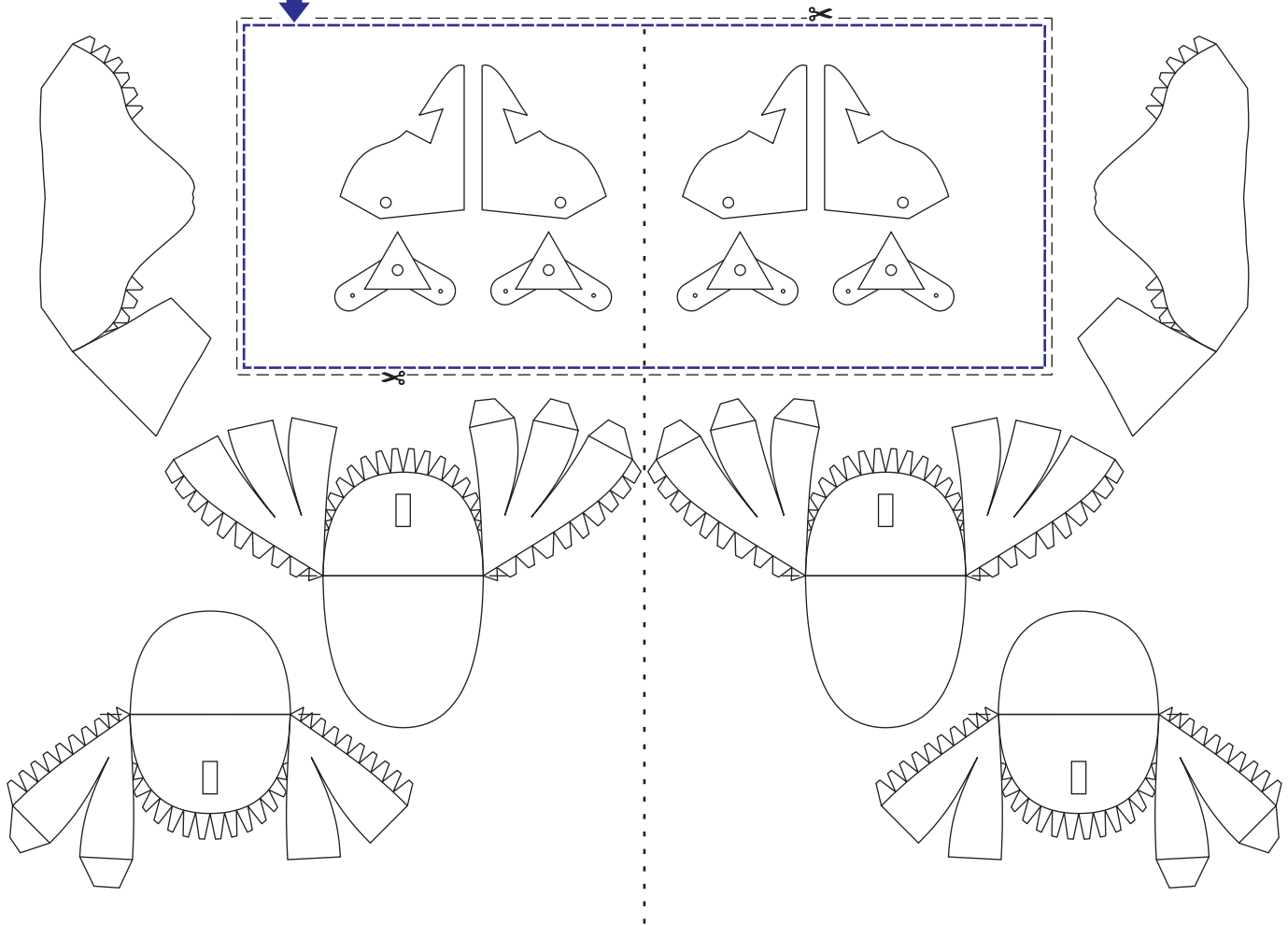


**GLUE THE BORDERED AREA ON A SHEET OF 0.5 MM THICK CARDBOARD**

FOR MORE INFORMATION, VISIT THE MODULE'S WEB PAGE IN [HTTP://ROBOTS.PHOBBY.COM](http://ROBOTS.PHOBBY.COM)

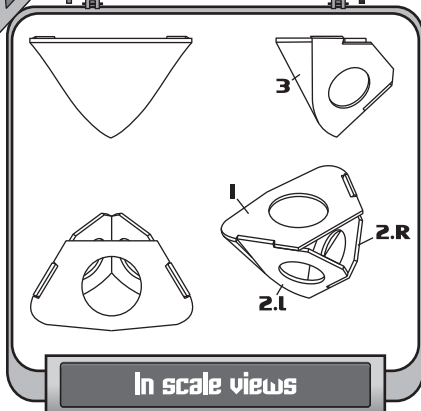
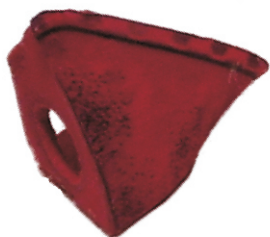


GLUE THE BORDERED AREA ON A SHEET  
OF 0.5 MM THICK CARDBOARD



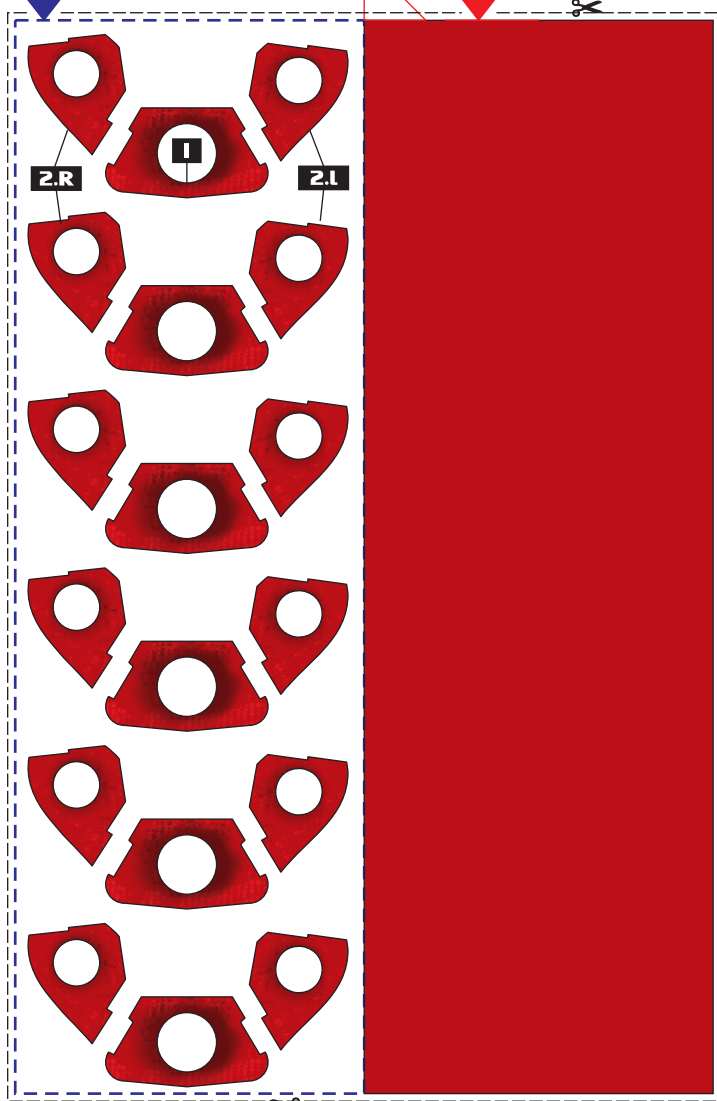
E.3.1

QUANTITY OF ELEMENTS ON THE SHEET: 6



GLUE THE BORDERED AREA ON A SHEET OF 0.5 MM THICK CARDBOARD

BEND AND GLUE ON THE BACK SIDE OF THE THICK CARDBOARD

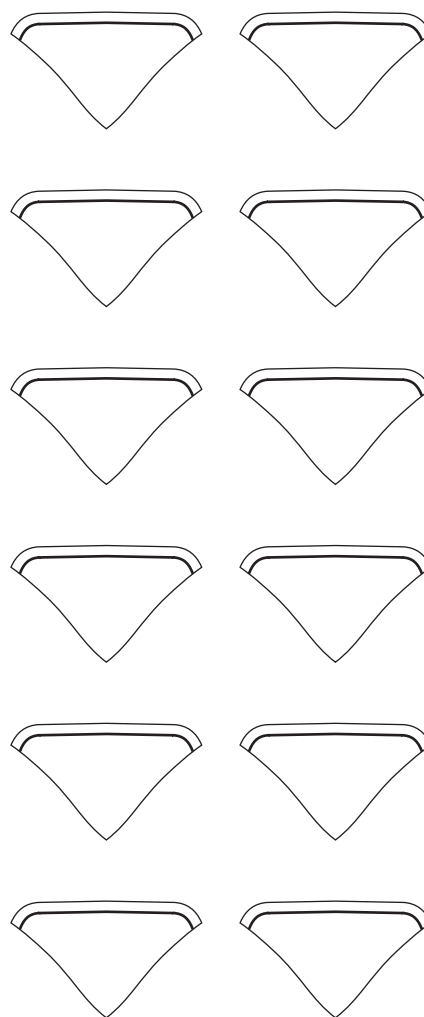
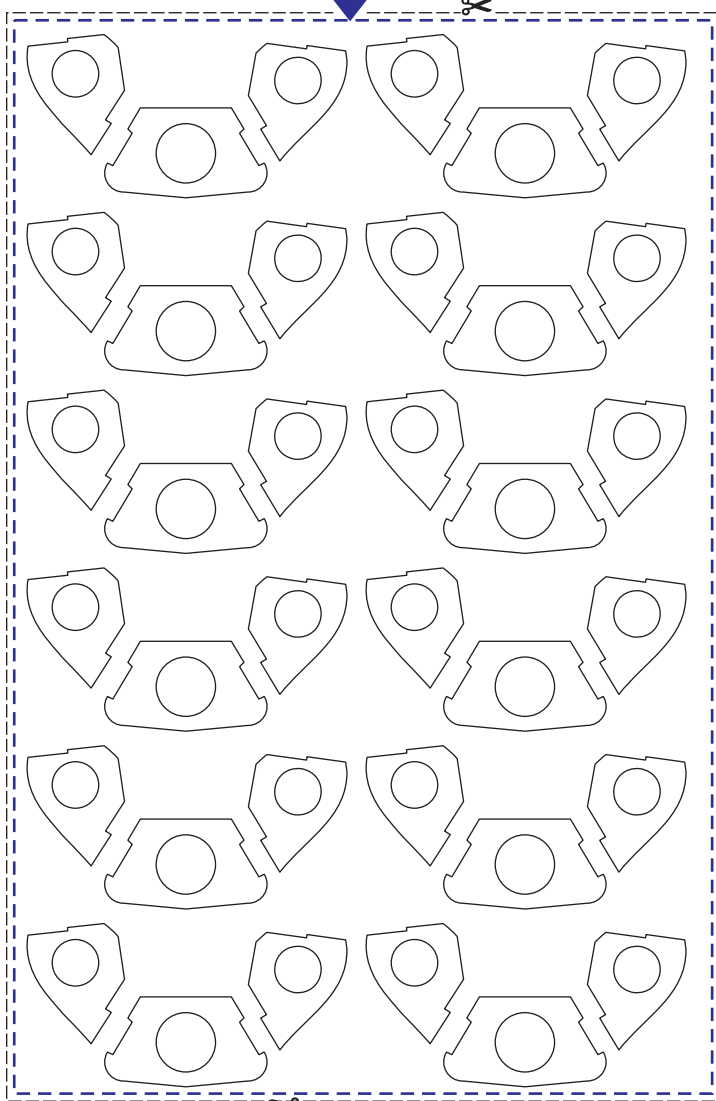


INCHES

CM

FOR MORE INFORMATION, VISIT THE MODULE'S WEB PAGE IN <http://ROBOTS.PHOBBY.COM>

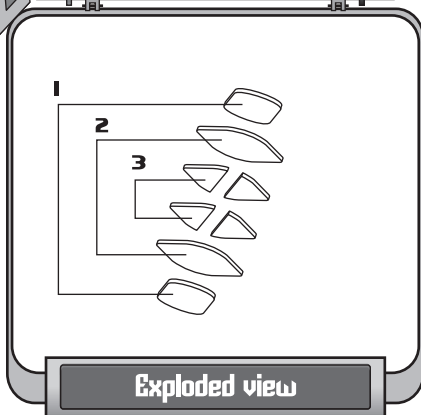
GLUE THE BORDERED AREA ON A  
SHEET OF 0.5 MM THICK CARDBOARD





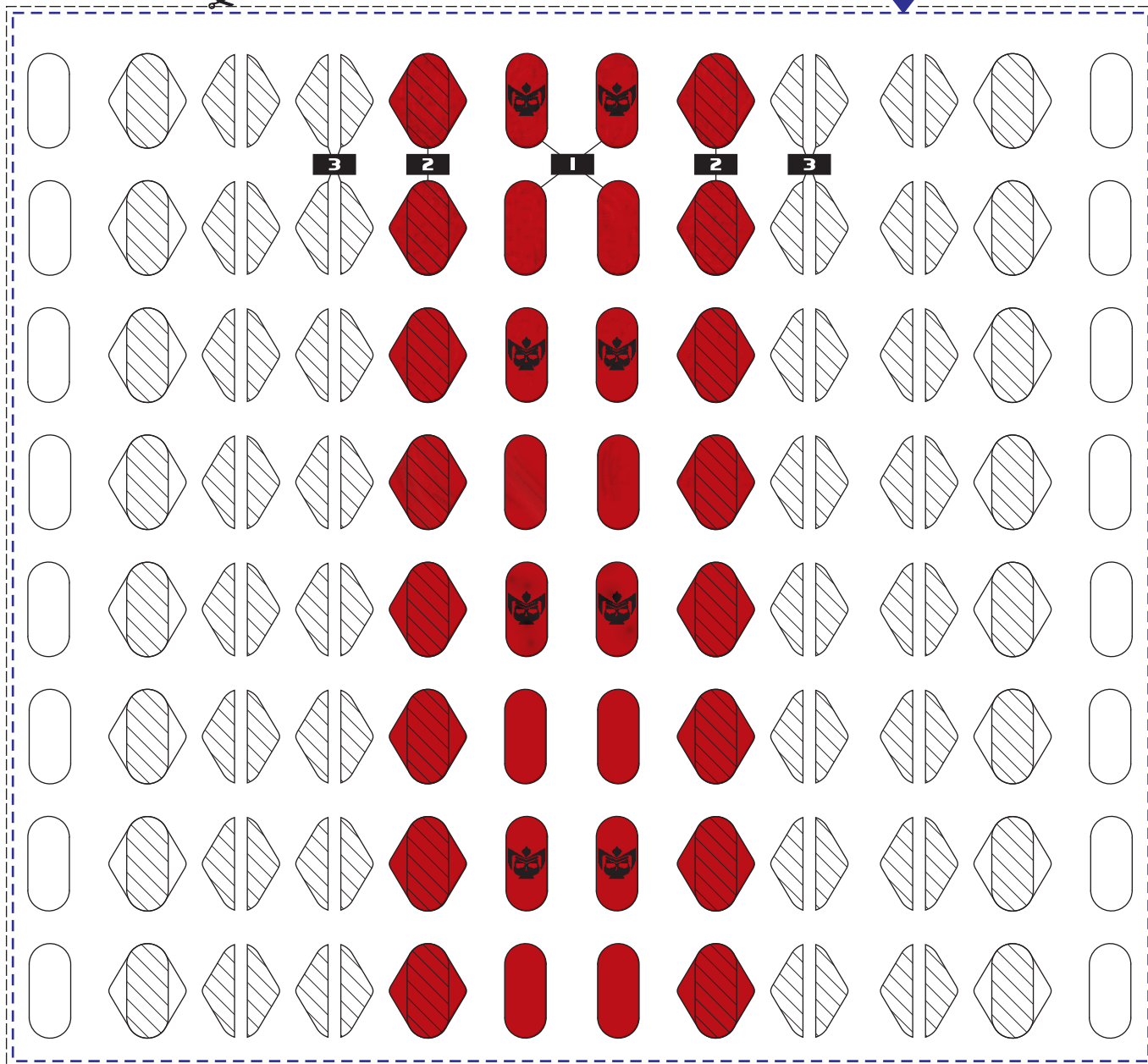
E.4.1

QUANTITY OF ELEMENTS ON THE SHEET:



FOR MORE INFORMATION, VISIT THE MODULE'S WEB PAGE IN [HTTP://ROBOTS.PHOBBY.COM](http://ROBOTS.PHOBBY.COM)

GLUE THE BORDERED AREA ON A SHEET OF 0.5 MM THICK CARDBOARD

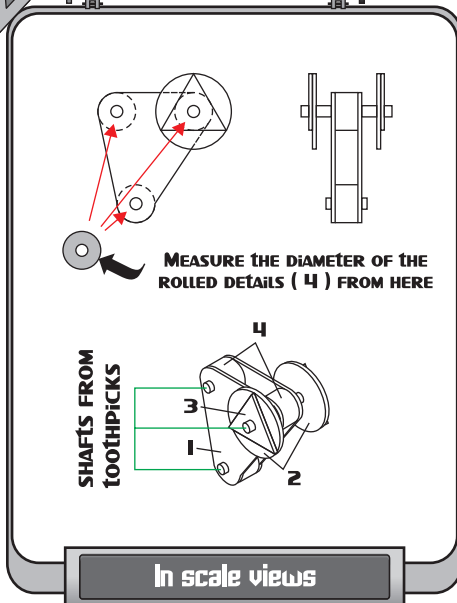
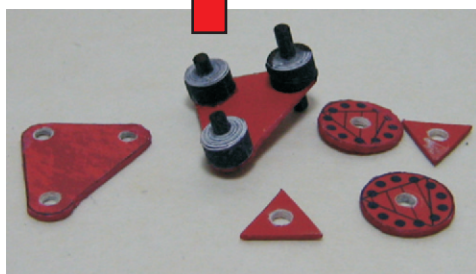
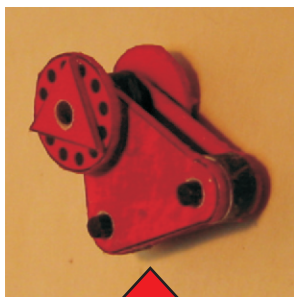


CM

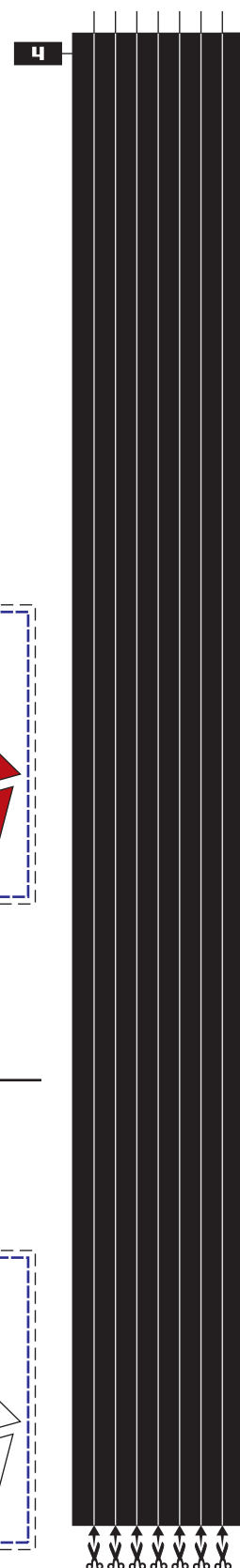
INCHES

E.4.2

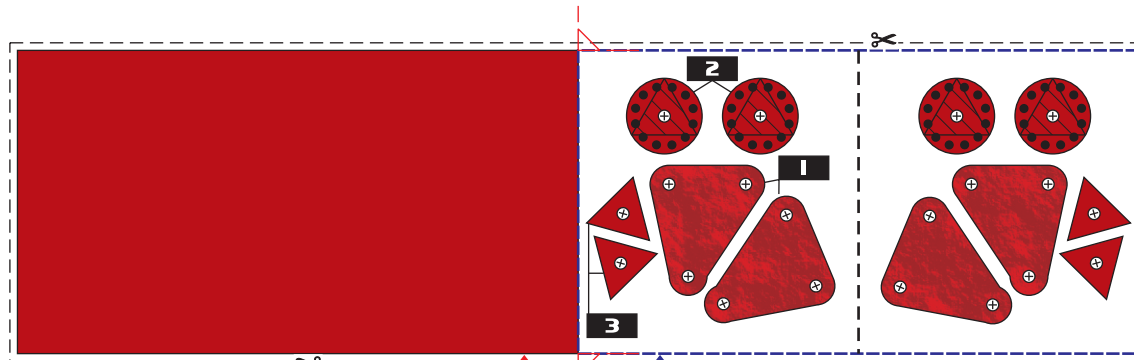
QUANTITY OF ELEMENTS ON THE SHEET: 4



BANDS FOR ROLLED DETAILS



FOR MORE INFORMATION, VISIT THE MODULE'S WEB PAGE IN <http://ROBOTS.PHOBBY.COM>



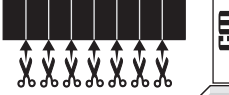
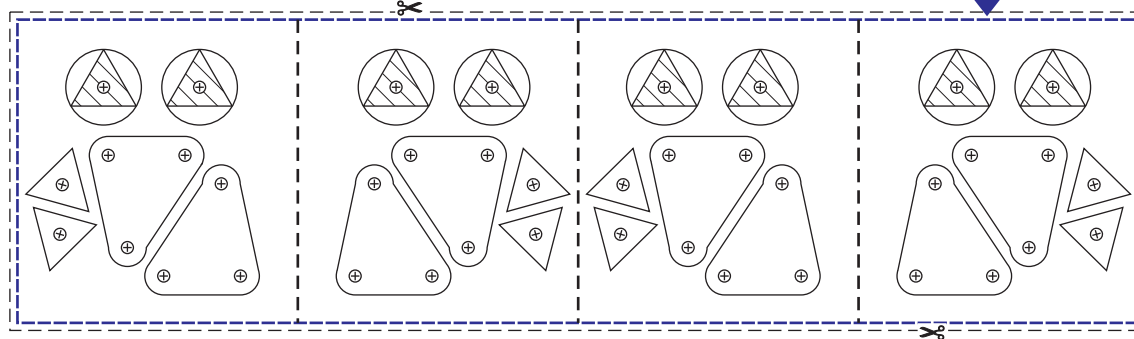
BEND AND GLUE ON THE BACK SIDE OF THE THICK CARDBOARD

GLUE THE BORDERED AREA ON A SHEET OF 0.5 MM THICK CARDBOARD

'RED' VERSION

'BLACK / WHITE' VERSION

GLUE THE BORDERED AREA ON A SHEET OF 0.5 MM THICK CARDBOARD



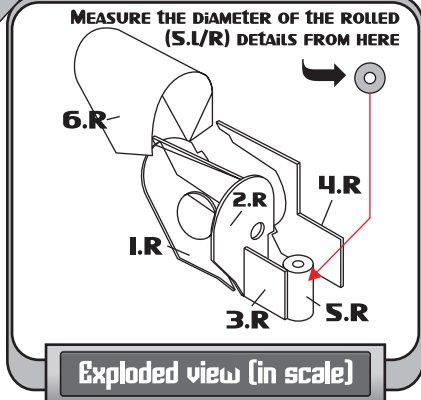
INCHES

E.S.I

QUANTITY OF ELEMENTS ON THE SHEET: **2x2**

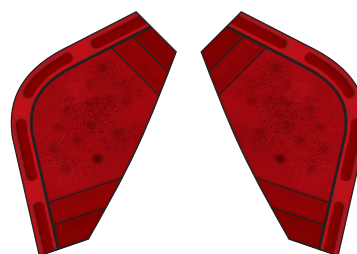
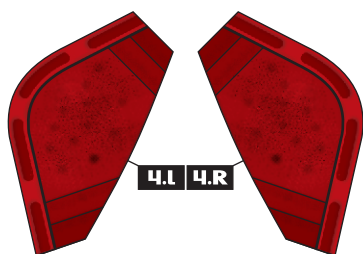
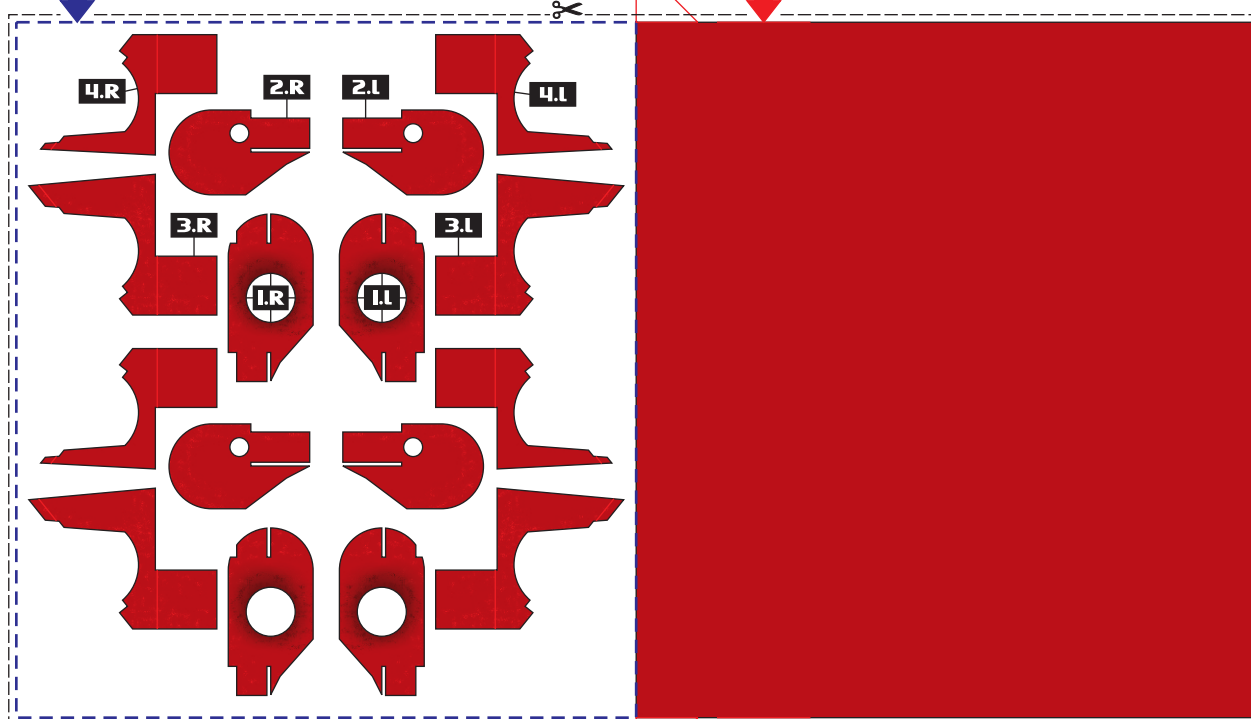
S.I / S.R

USE THESE BANDS TO ROLL ELEMENTS S.I AND S.R



GLUE THE BORDERED AREA ON A SHEET OF 0.5 MM THICK CARDBOARD

BEND AND GLUE ON THE BACK SIDE OF THE THICK CARDBOARD

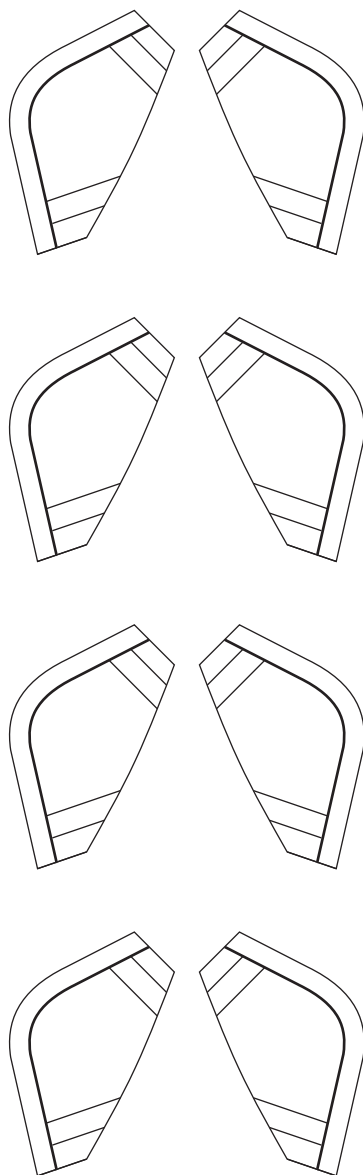
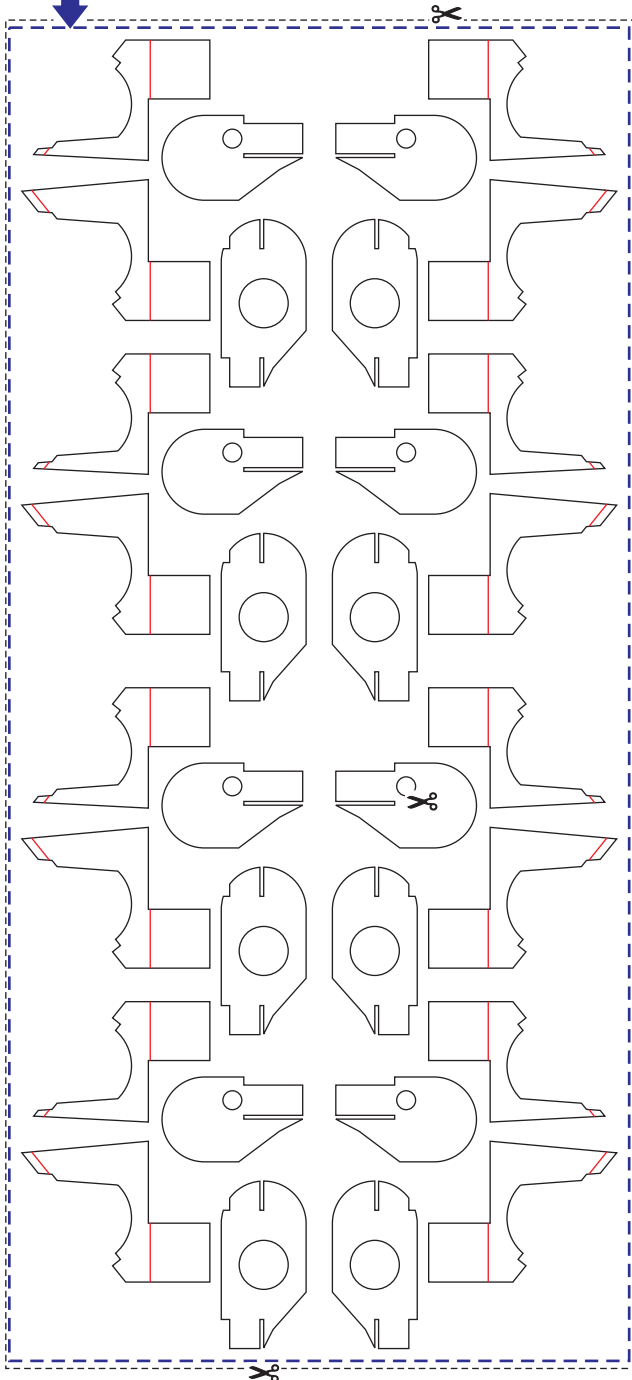


CM

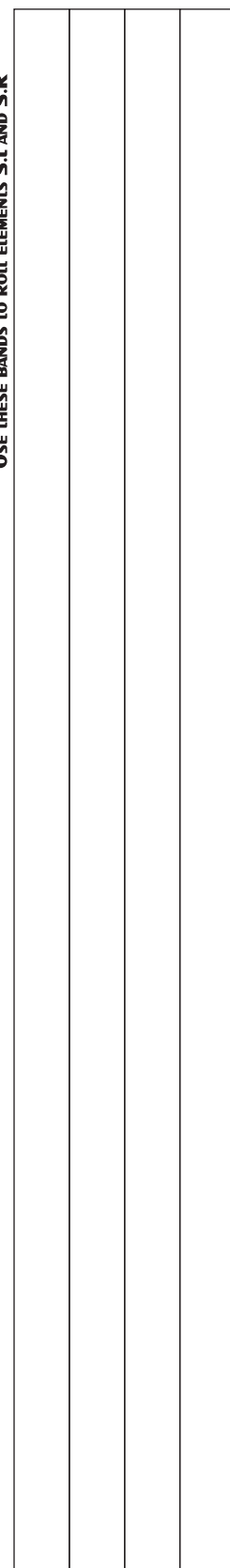
INCHES

FOR MORE INFORMATION, VISIT THE MODULE'S WEB PAGE IN <http://robots.phobby.com>

GLUE THE BORDERED AREA ON A SHEET OF 0.5 MM  
THICK CARDBOARD



USE THESE BANDS TO ROLL ELEMENTS S.1 AND S.R



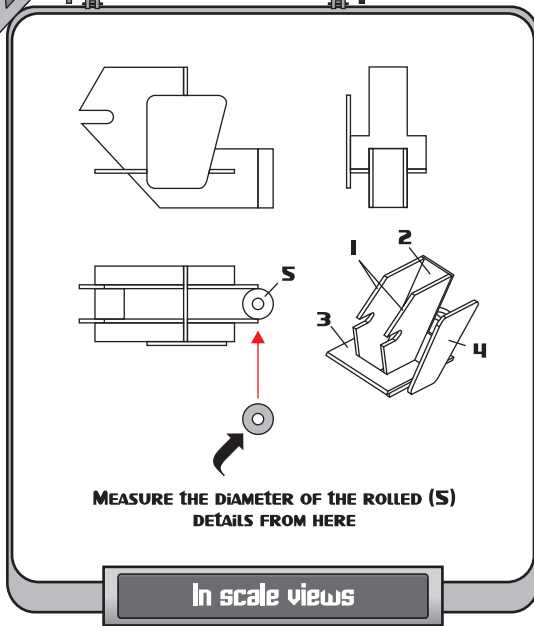
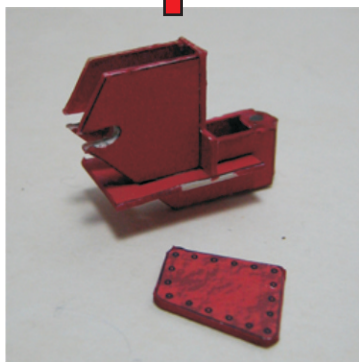
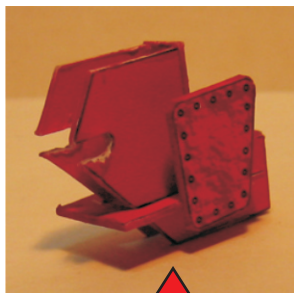
CM

INCHES

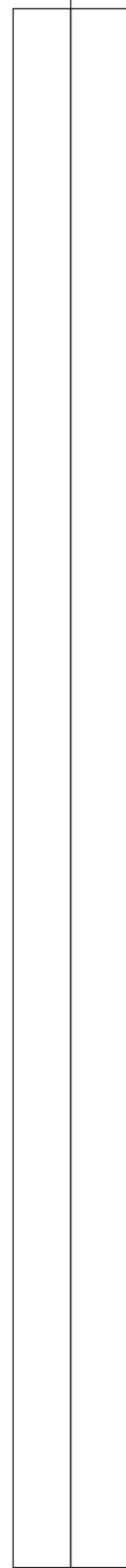
2

E.S.2

QUANTITY OF ELEMENTS ON THE SHEET: 2

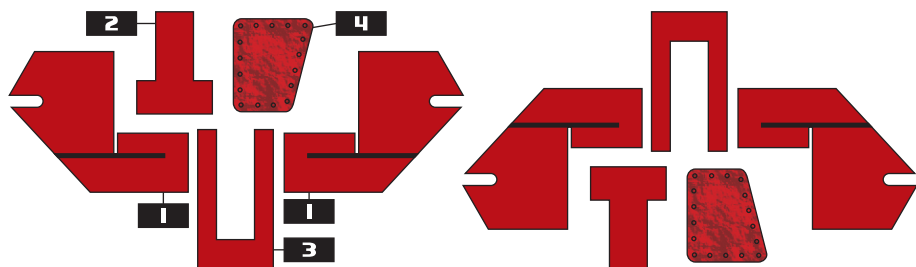
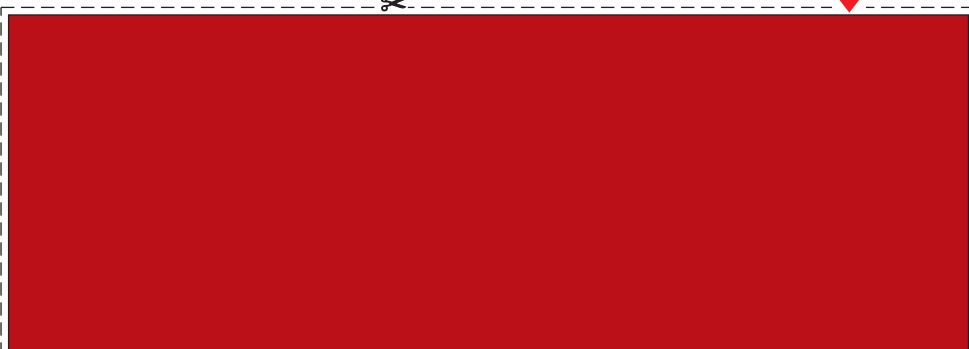


S BANDS FOR ROLLED DETAILS

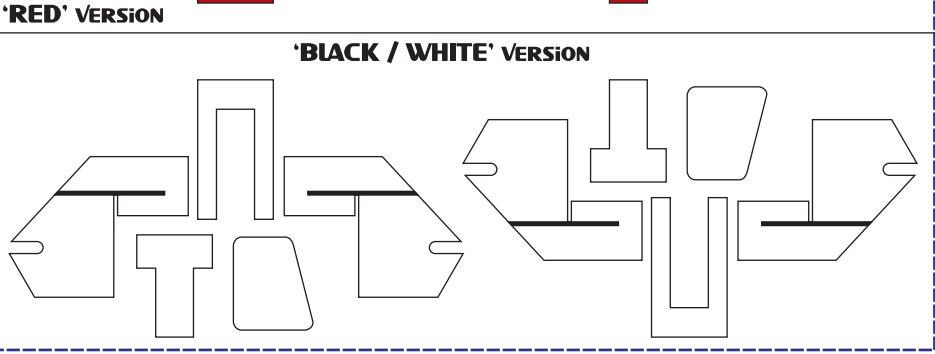


FOR MORE INFORMATION, VISIT THE MODULE'S WEB PAGE IN [HTTP://ROBOTS.PHOBBY.COM](http://ROBOTS.PHOBBY.COM)

BEND AND GLUE ON THE BACK SIDE OF THE THICK CARDBOARD



GLUE THE BORDERED AREA ON A SHEET OF 0.5 MM THICK CARDBOARD

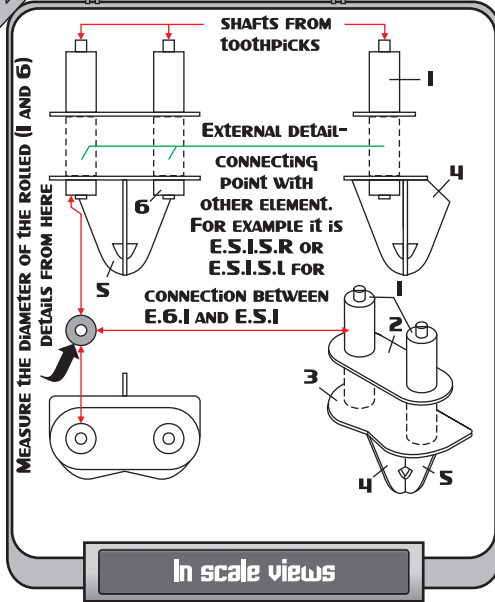


CM

INCHES

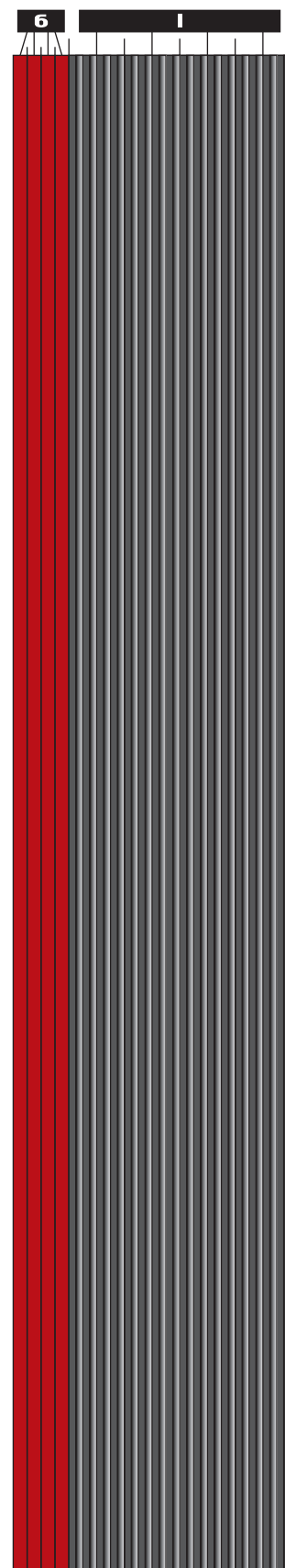
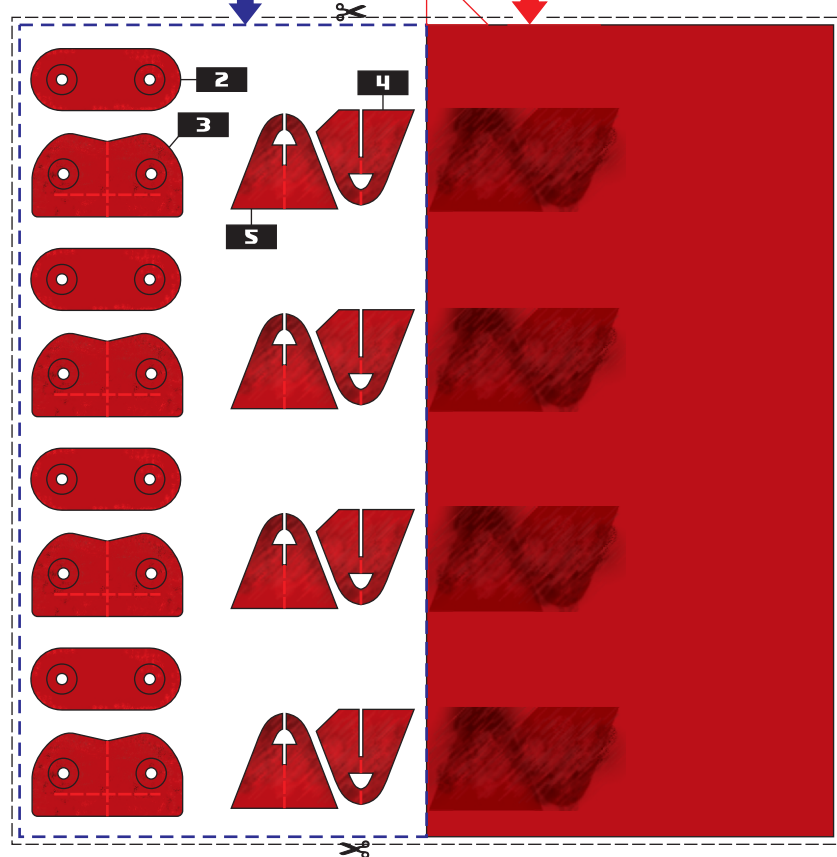
E.6.I

QUANTITY OF ELEMENTS ON THE SHEET: 4



GLUE THE BORDERED AREA ON A SHEET OF 0.5 MM THICK CARDBOARD

BEND AND GLUE ON THE BACK SIDE OF THE THICK CARDBOARD



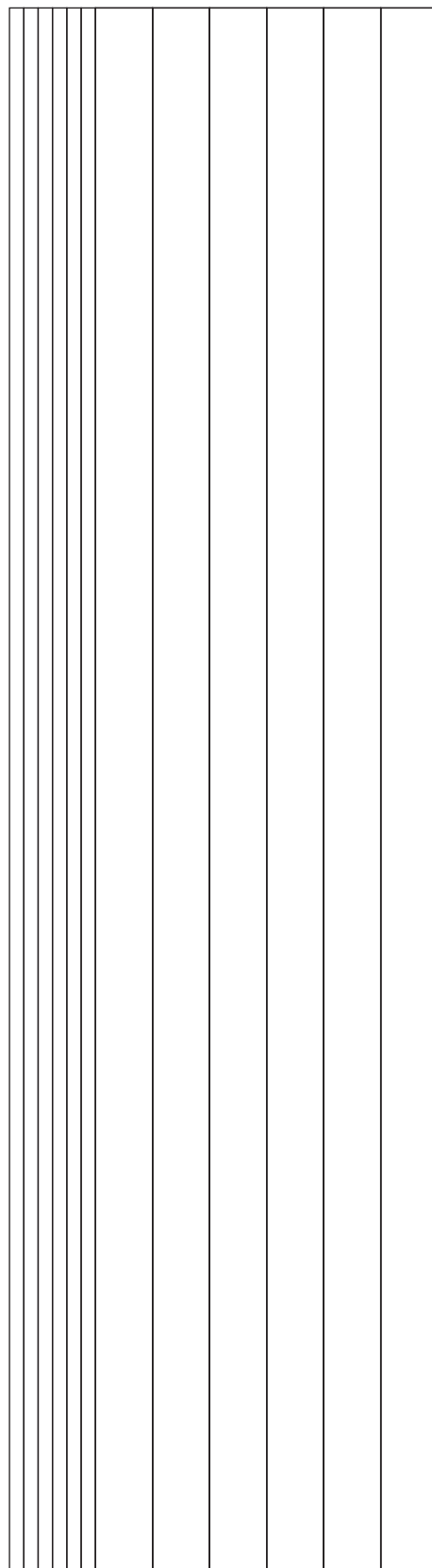
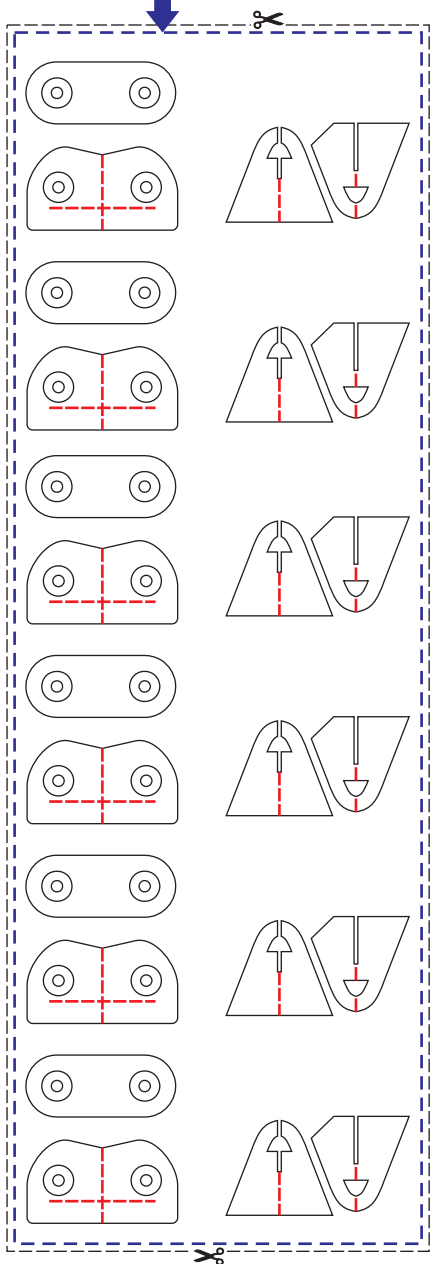
INCHES

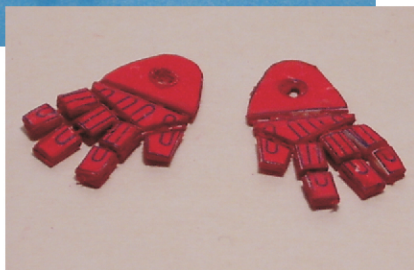
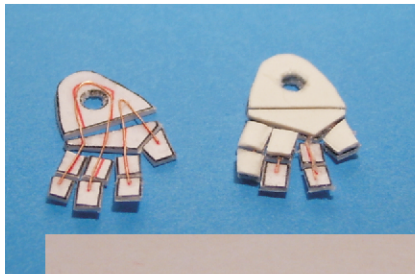
CM



FOR MORE INFORMATION, VISIT THE MODULE'S WEB PAGE IN  
[HTTP://ROBOTS.PHOBBY.COM](http://ROBOTS.PHOBBY.COM)

GLUE THE BORDERED AREA  
ON A SHEET OF 0.5 MM THICK  
CARDBOARD





**IN SCALE**

**FOR THIS ELEMENT DETAILS AREN'T NUMBERED.**

**THIN WIRE**

**Views**

GLUE THE BORDERED AREA ON A SHEET OF 0.5 MM THICK CARDBOARD

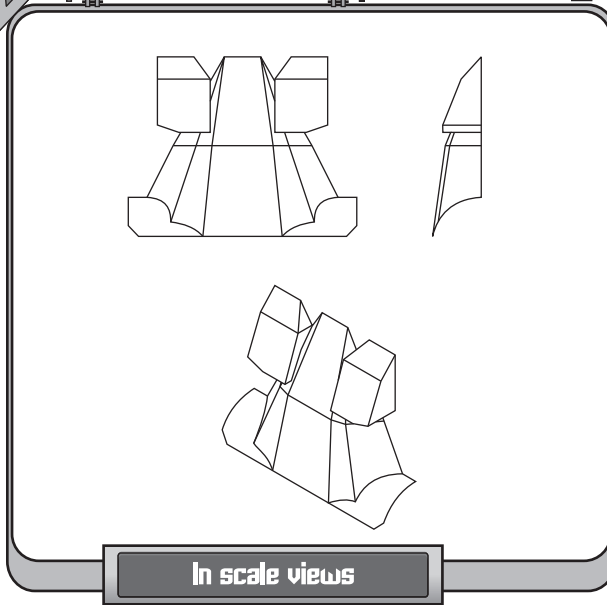
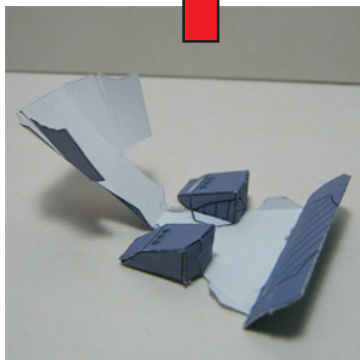
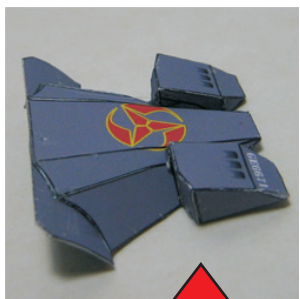
**'RED' VARIANT**

**'BLACK/WHITE' VARIANT**

FOR MORE INFORMATION, VISIT THE MODULE'S WEB PAGE IN [HTTP://ROBOTS.PHOBBY.COM](http://ROBOTS.PHOBBY.COM)

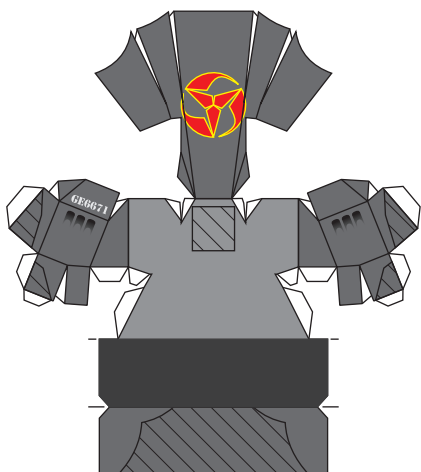
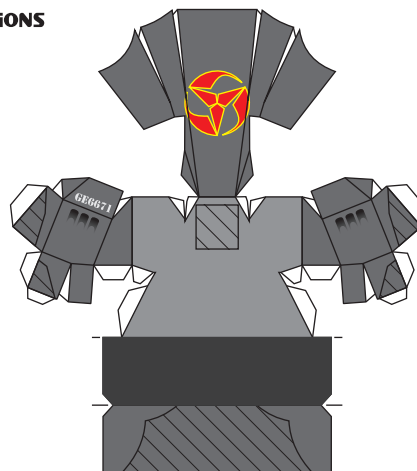
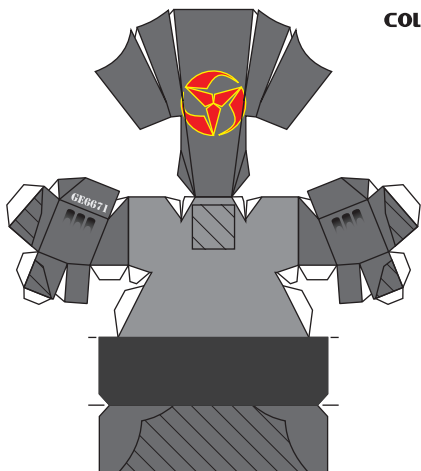
E.8.2

QUANTITY OF ELEMENTS ON THE SHEET: 1

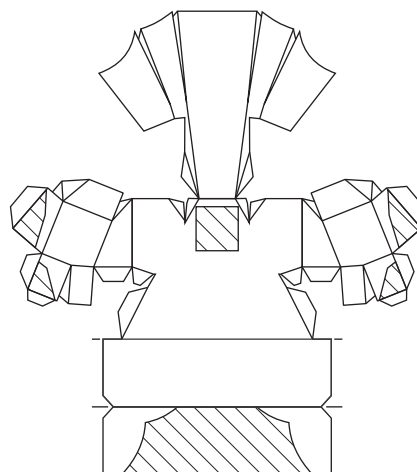


FOR MORE INFORMATION, VISIT THE MODULE'S WEB PAGE IN [HTTP://ROBOTS.PHOBBY.COM](http://ROBOTS.PHOBBY.COM)

### COLOR VERSIONS



### 'BLACK / WHITE' VERSION

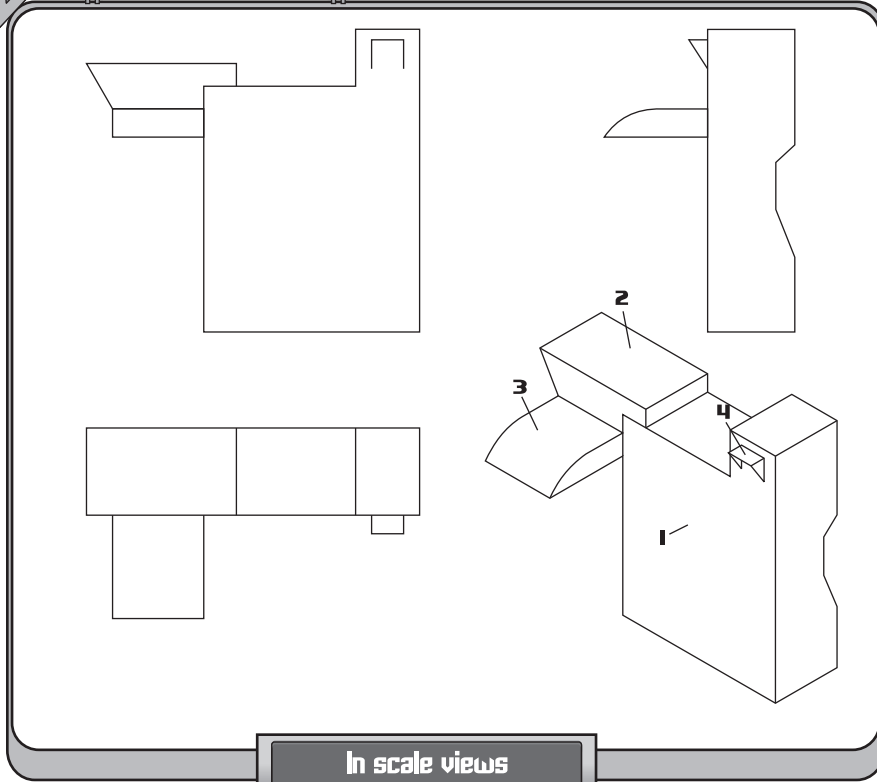
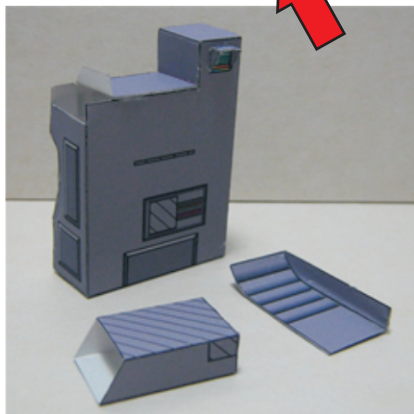
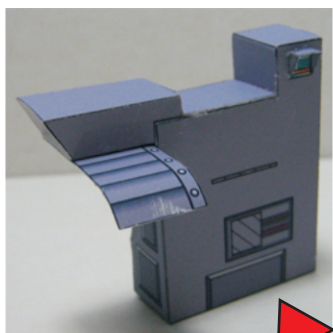


INCHES

CM

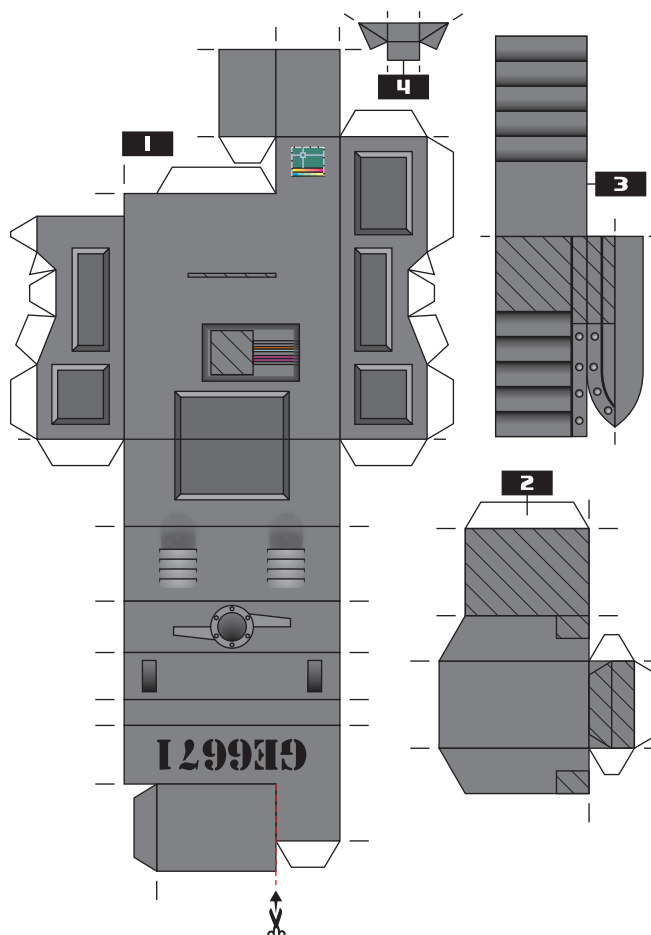
E.9.2

QUANTITY OF ELEMENTS ON THE SHEET: 1



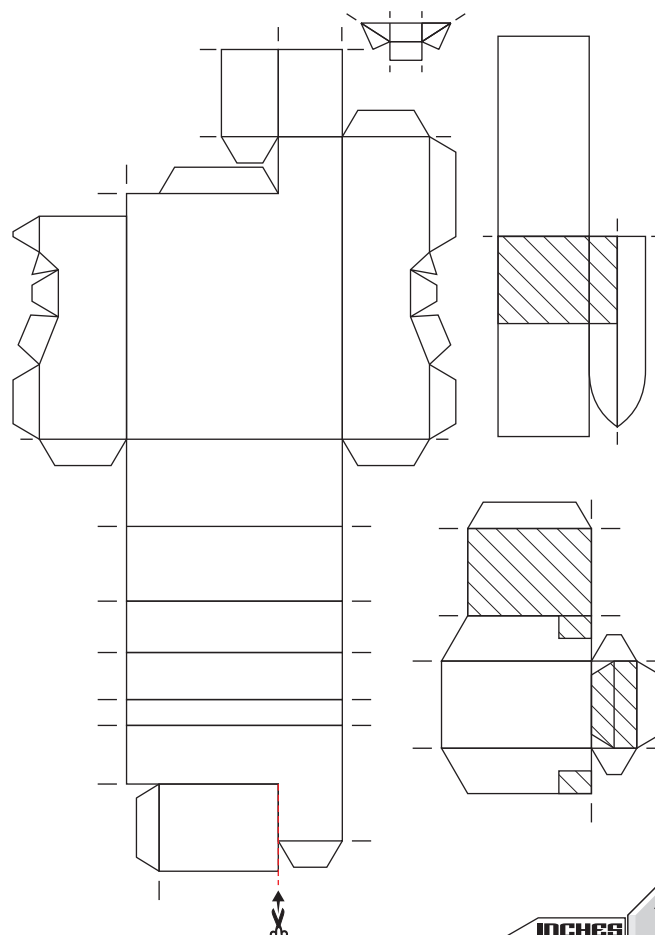
In scale views

FOR MORE INFORMATION, VISIT THE MODULE'S WEB PAGE IN <http://ROBOTS.PHOBBY.COM>



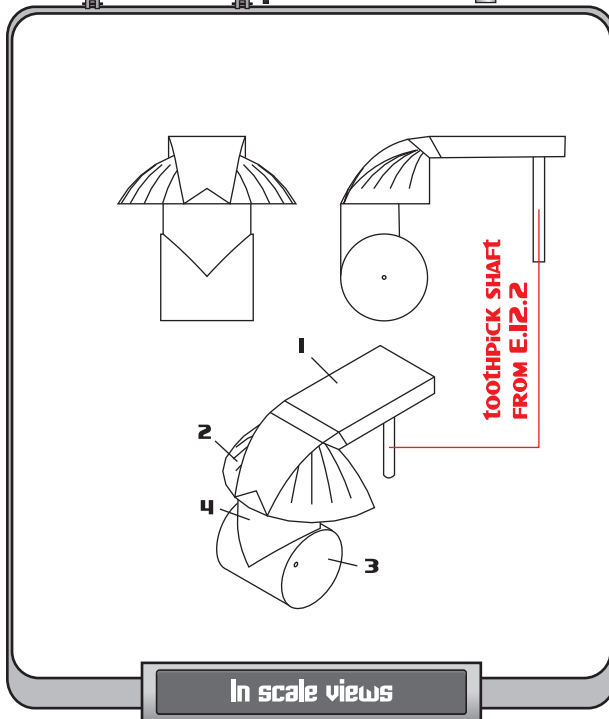
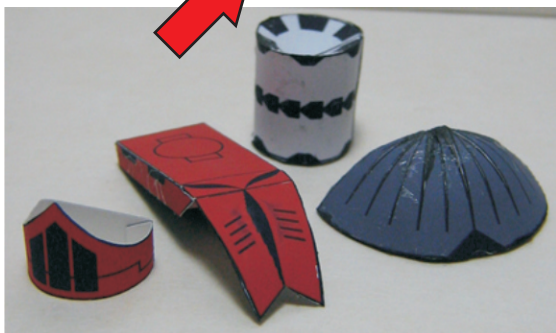
COLOR VERSION

'BLACK / WHITE' VERSION

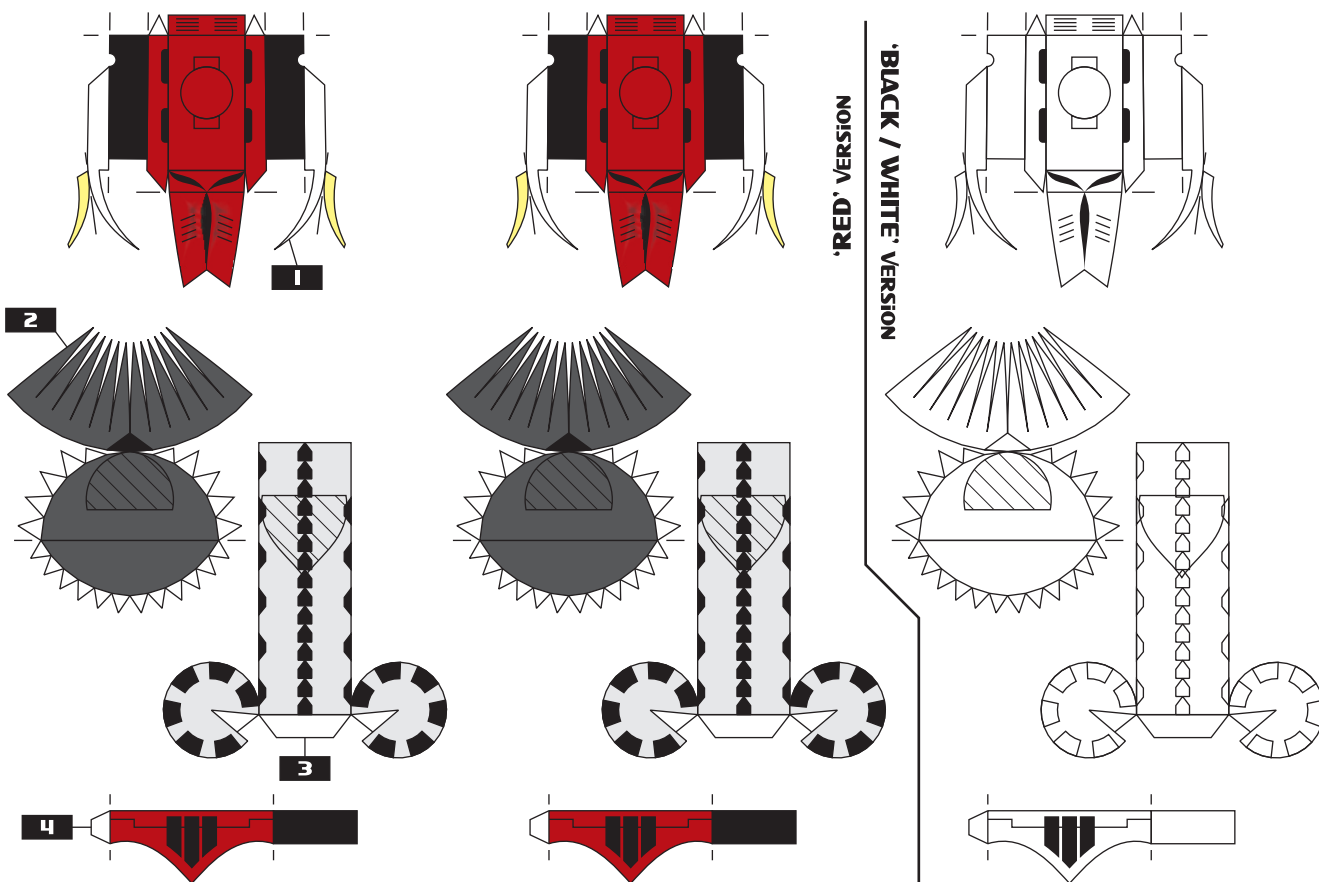


INCHES

CM



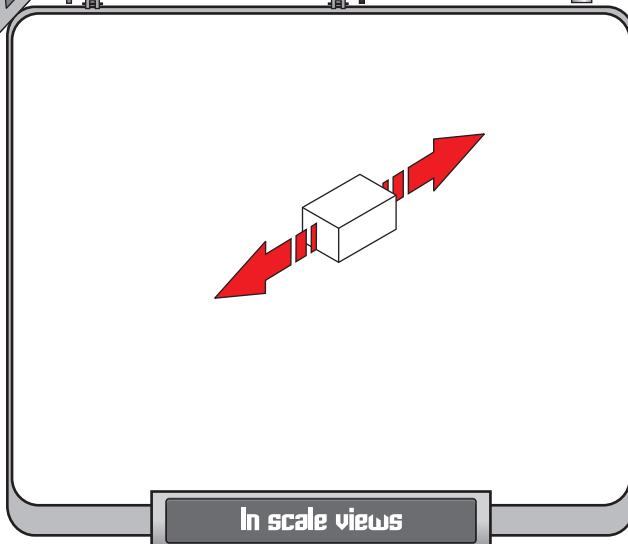
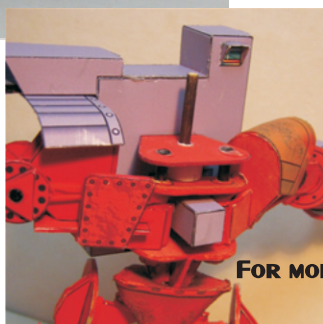
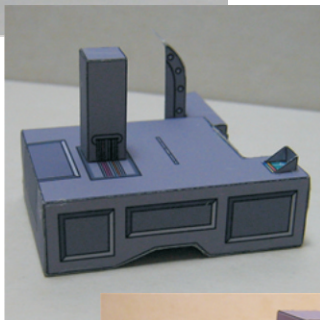
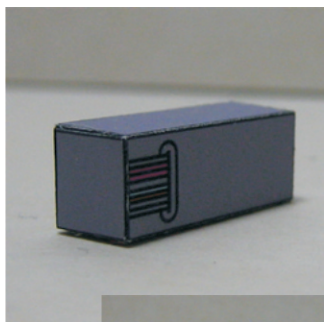
FOR MORE INFORMATION, VISIT THE MODULE'S WEB PAGE IN <http://ROBOTS.PHOBBY.COM>



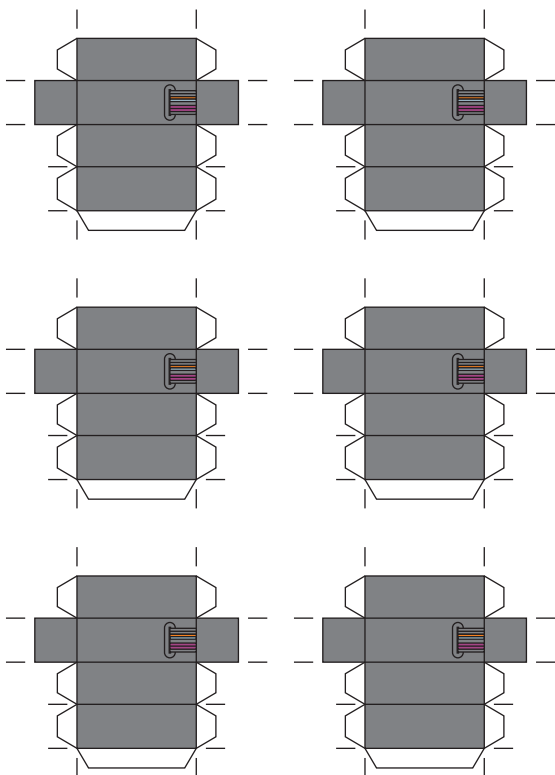
E.II.2

QUANTITY OF ELEMENTS ON THE SHEET: 8

3

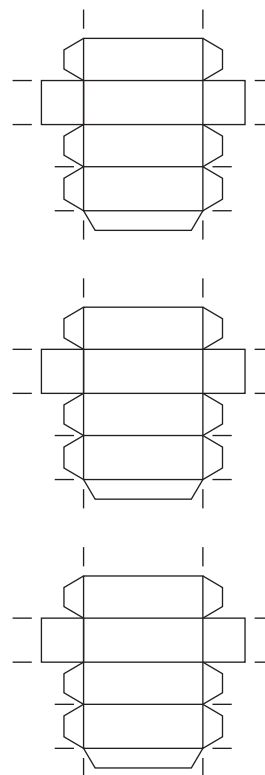


FOR MORE INFORMATION, VISIT THE MODULE'S WEB PAGE IN <http://ROBOTS.PHOBBY.COM>



COLOR VERSION

'BLACK / WHITE' VERSION



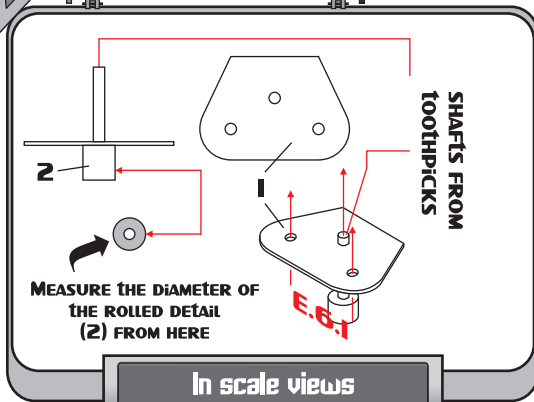
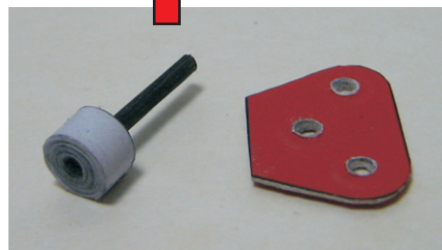
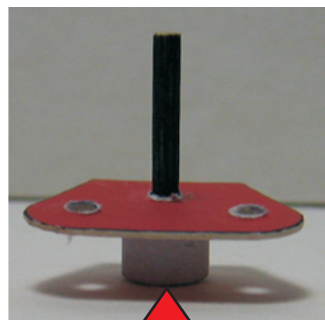
INCHES

CM



E.12.2

QUANTITY OF ELEMENTS ON THE SHEET: 17



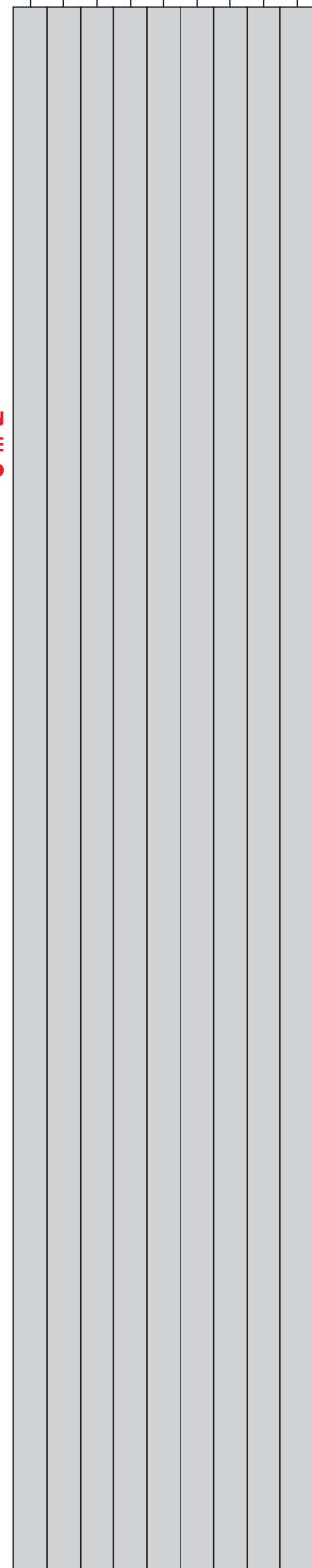
In scale views

FOR MORE INFORMATION, VISIT THE MODULE'S WEB PAGE IN [HTTP://ROBOTS.PHOBBY.COM](http://ROBOTS.PHOBBY.COM)

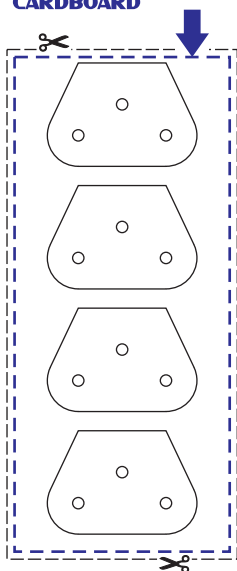
GLUE THE BORDERED AREA ON A SHEET OF 0.5 MM THICK THICK CARDBOARD. BEND AND GLUE ON THE BACK SIDE OF THE THICK CARDBOARD.

BANDS FOR ROLLED DETAILS

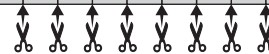
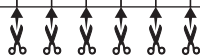
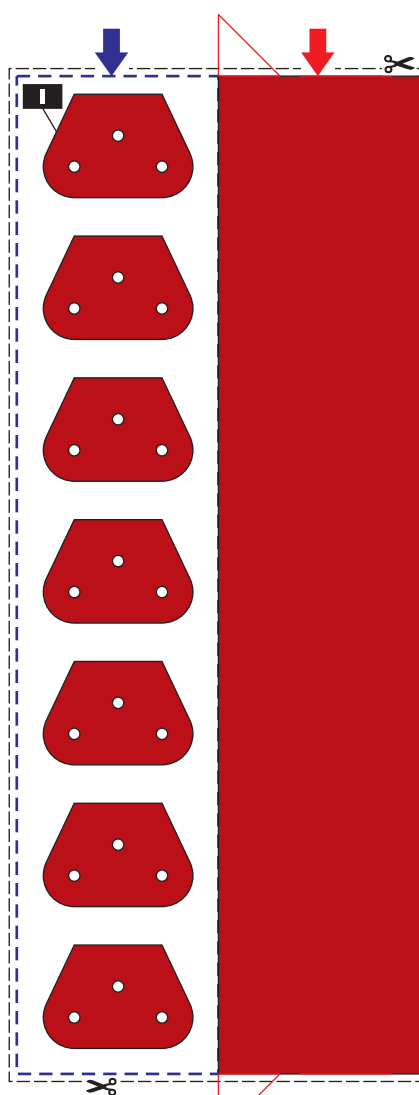
2



GLUE THE BORDERED AREA ON A SHEET OF 0.5 MM THICK CARDBOARD

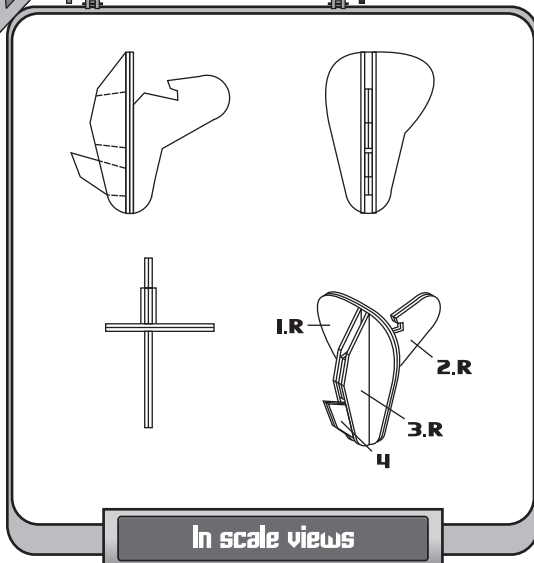


'RED' VERSION  
'BLACK / WHITE' VERSION



INCHES

CM



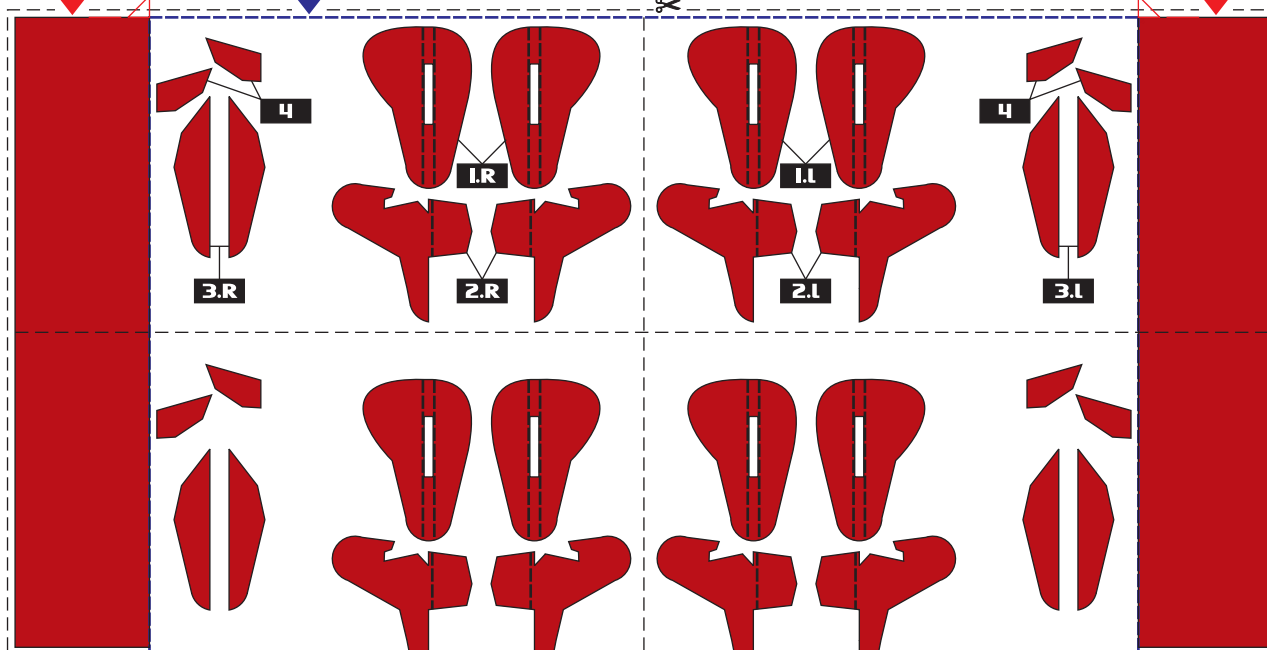
In scale views

**BEND AND GLUE ON THE BACK SIDE OF THE THICK CARDBOARD**

**GLUE THE BORDERED AREA ON A SHEET OF 0.5 MM THICK CARDBOARD**

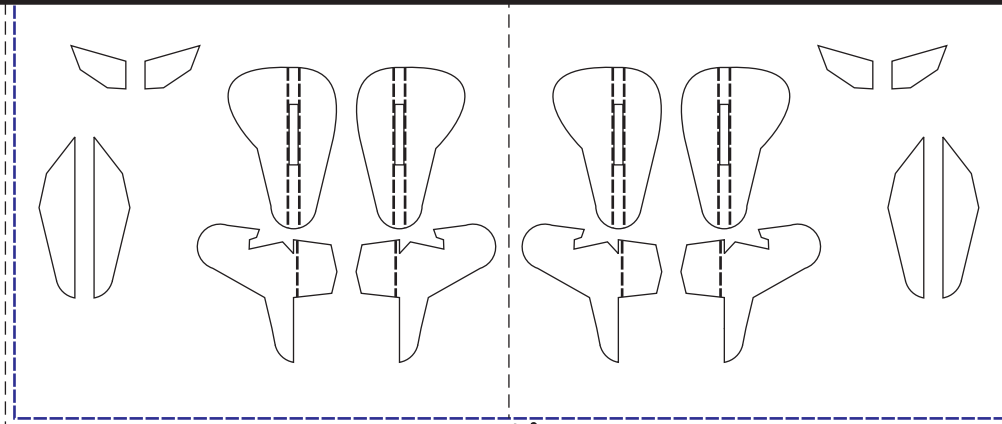
**BEND AND GLUE ON THE BACK SIDE OF THE THICK CARDBOARD**

FOR MORE INFORMATION, VISIT THE MODULE'S WEB PAGE IN [HTTP://ROBOTS.PHOBBY.COM](http://ROBOTS.PHOBBY.COM)



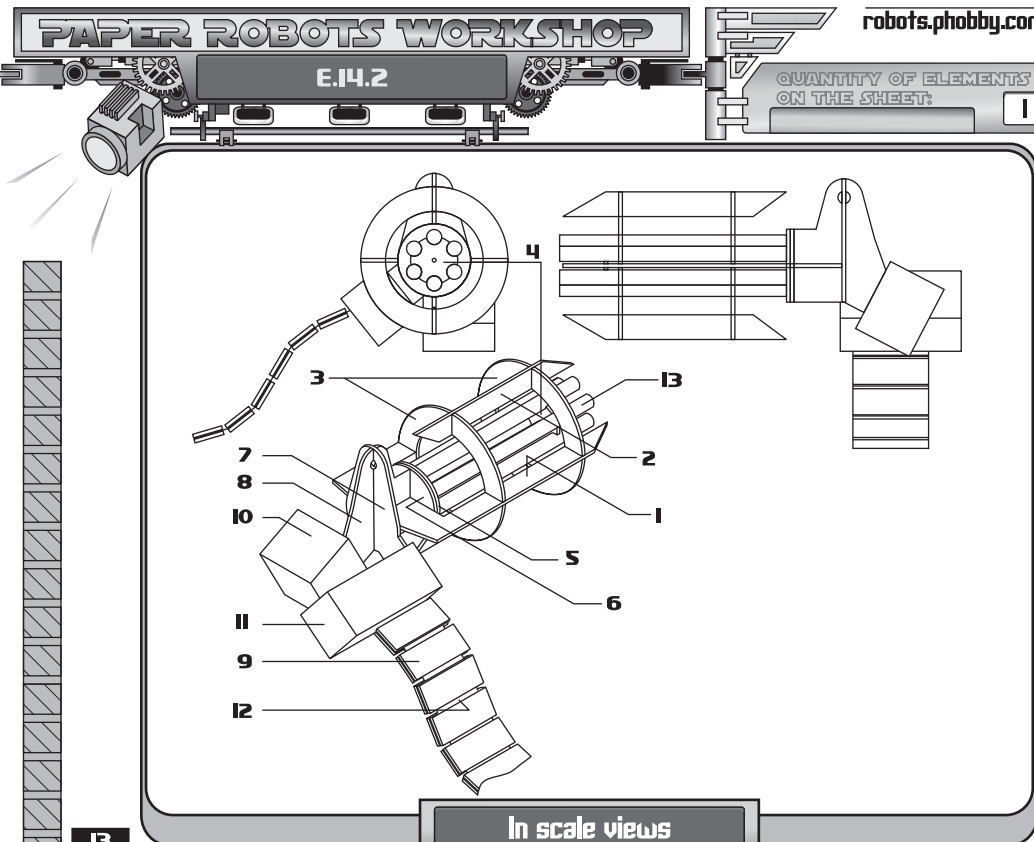
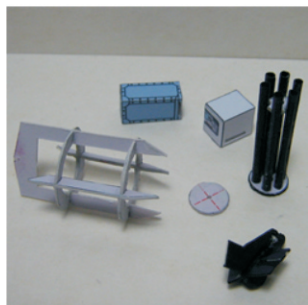
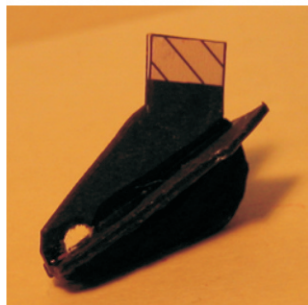
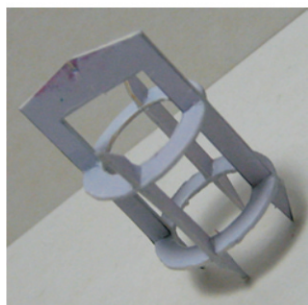
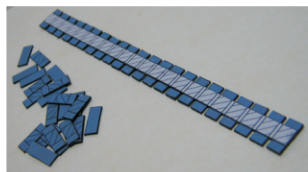
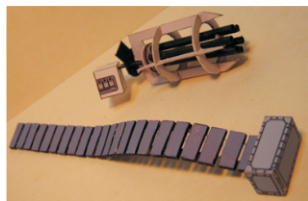
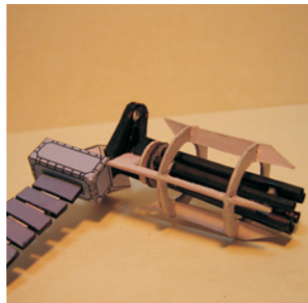
'RED' VERSION

'BLACK / WHITE' VERSION



CM

INCHES

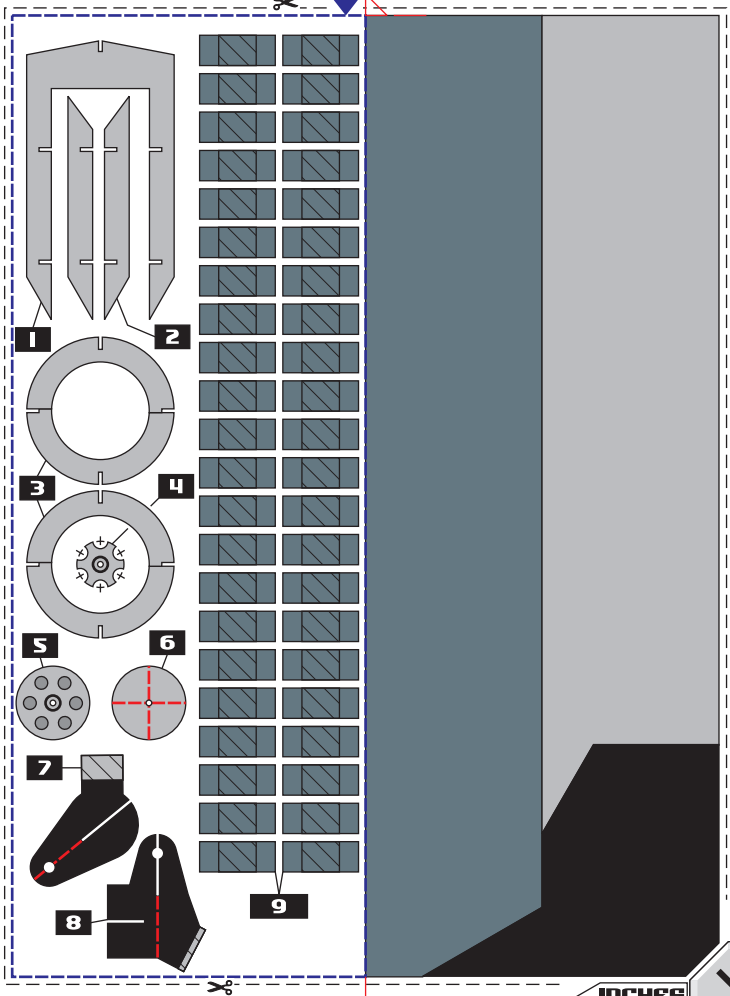


In scale views



GLUE THE BORDERED AREA ON A SHEET OF 0.5 MM THICK CARDBOARD

BEND AND GLUE ON THE BACK SIDE OF THE THICK CARDBOARD



INCHES

CM

FOR MORE INFORMATION, VISIT THE MODULE'S WEB PAGE IN [HTTP://ROBOTS.PHOBBY.COM](http://ROBOTS.PHOBBY.COM)

