

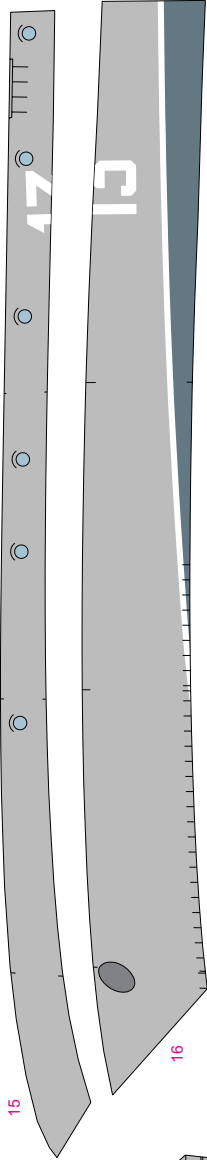
# Antisubmarine corvette

# BODRY

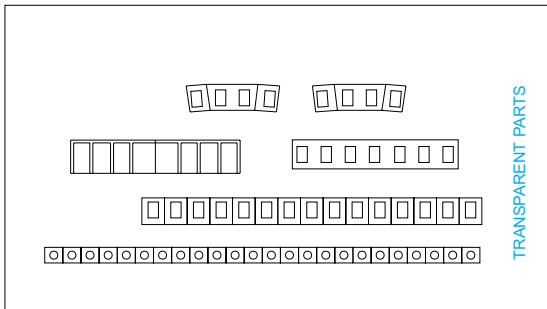
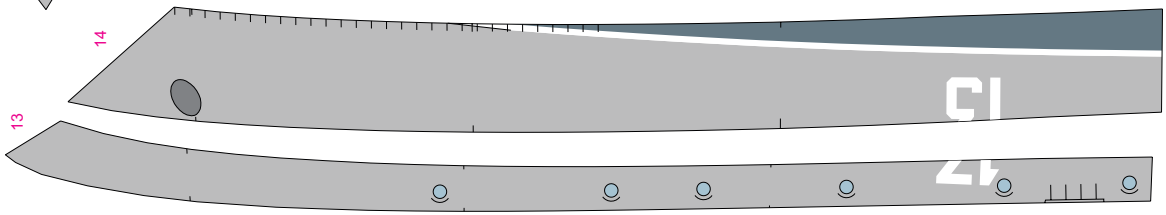
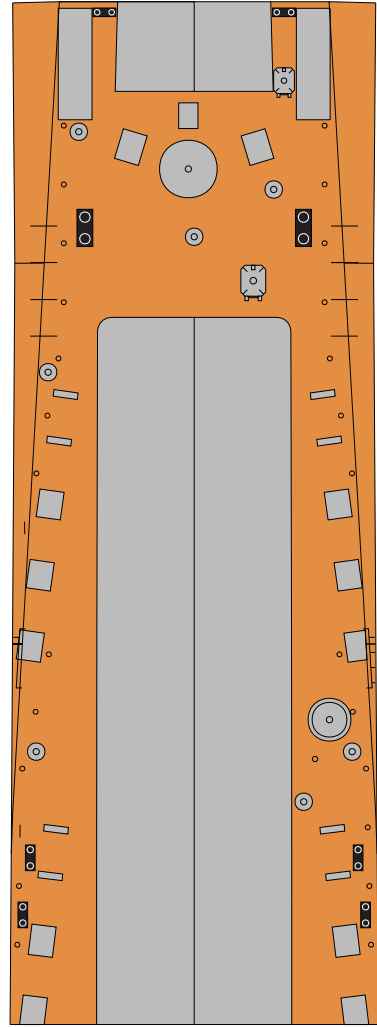
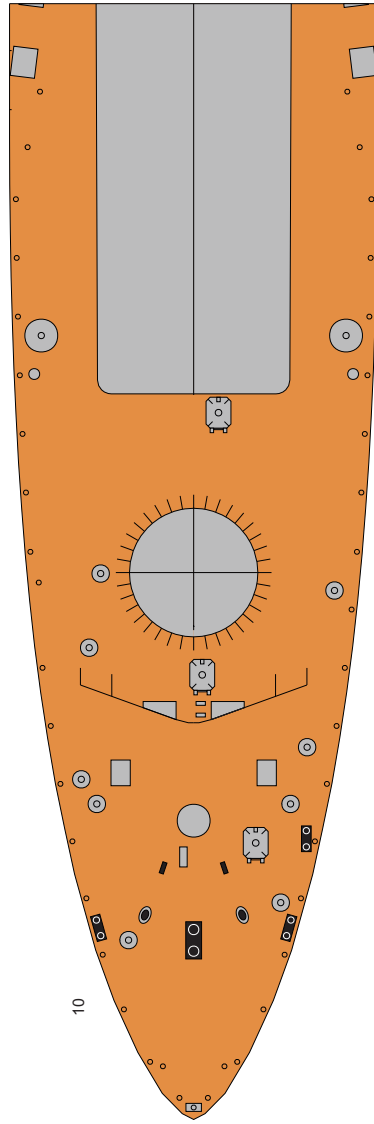
**1/200** SCALE

PRECISE CARD MODEL





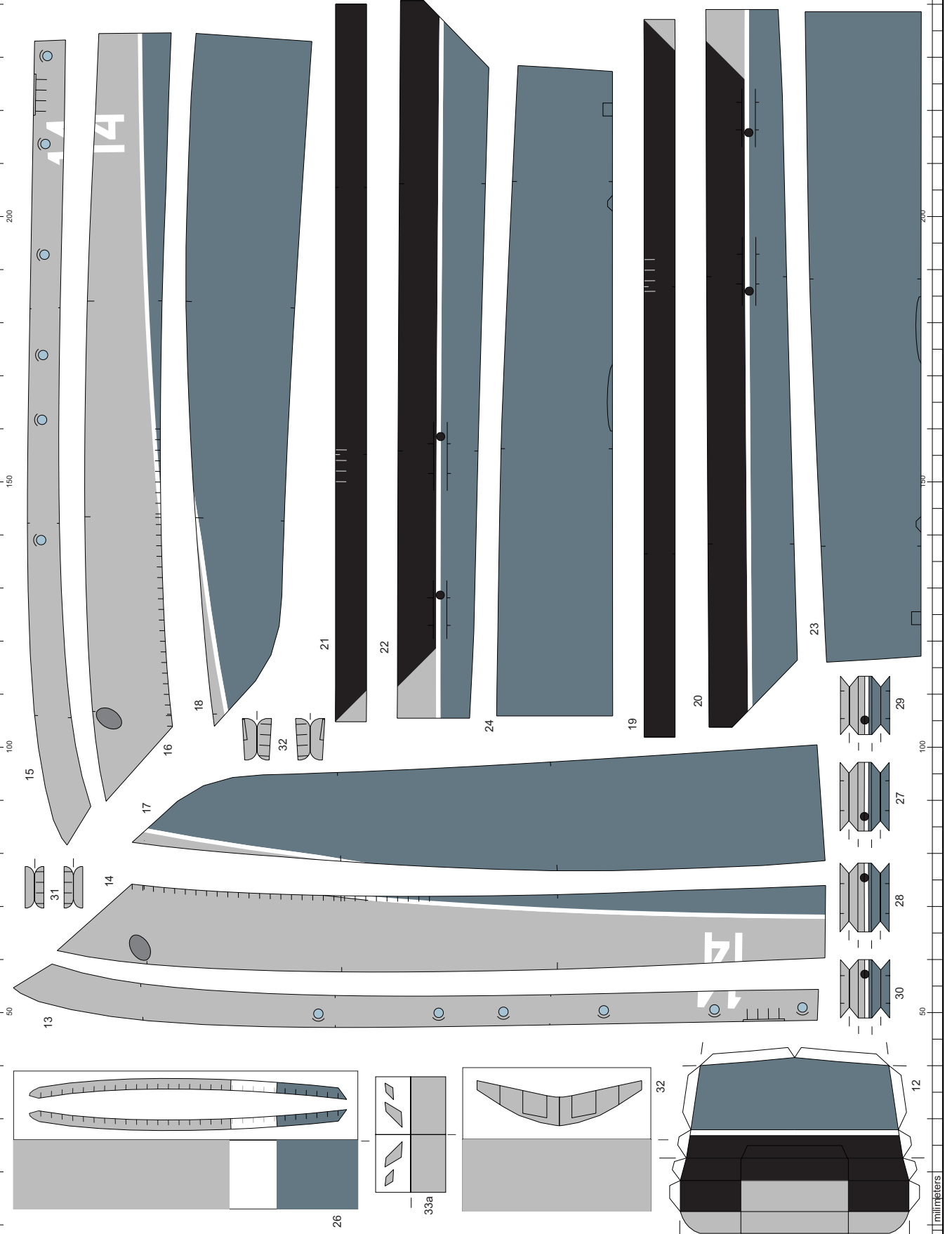
ALTERNATIVE PARTS

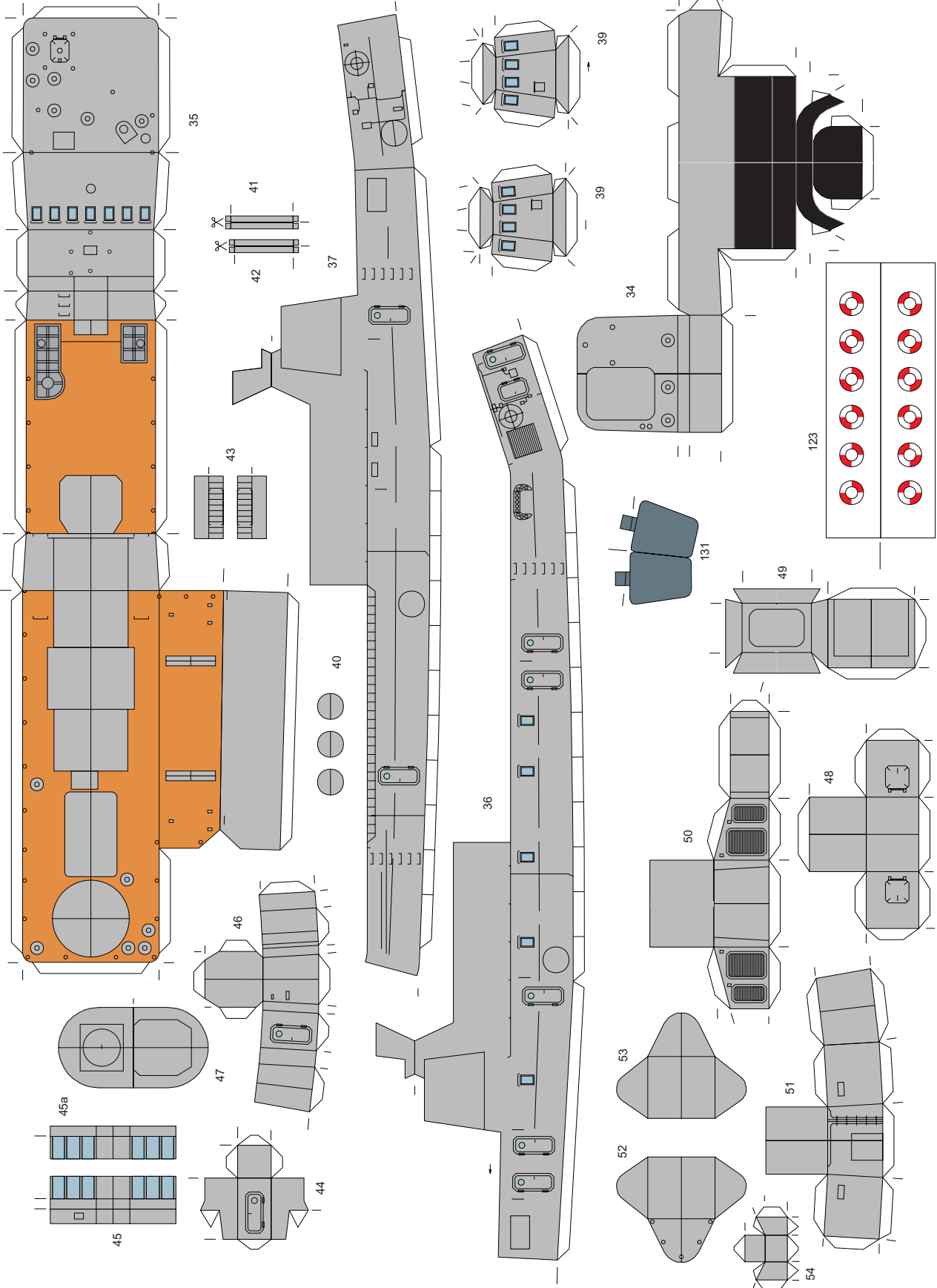


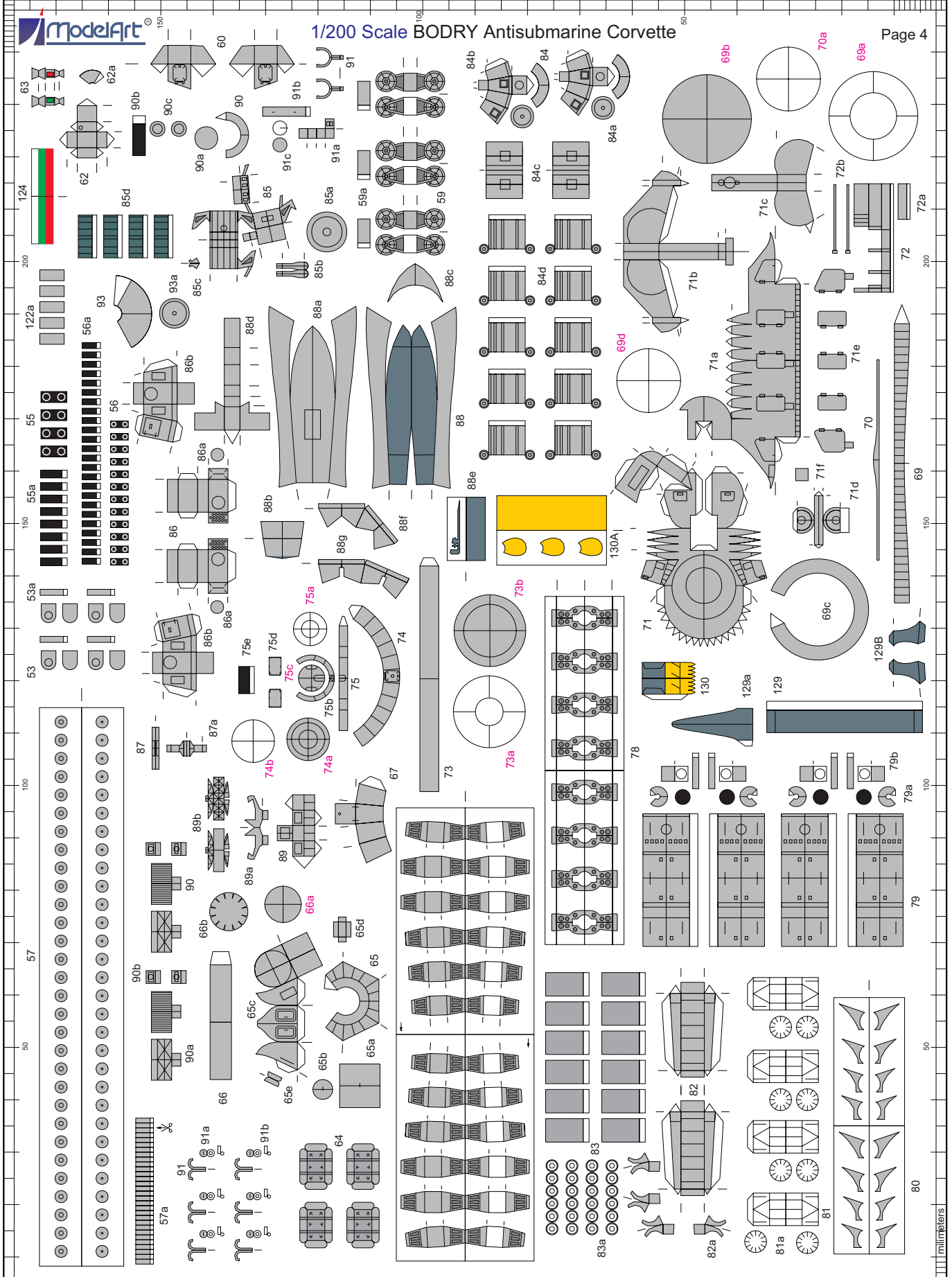
TRANSPARENT PARTS



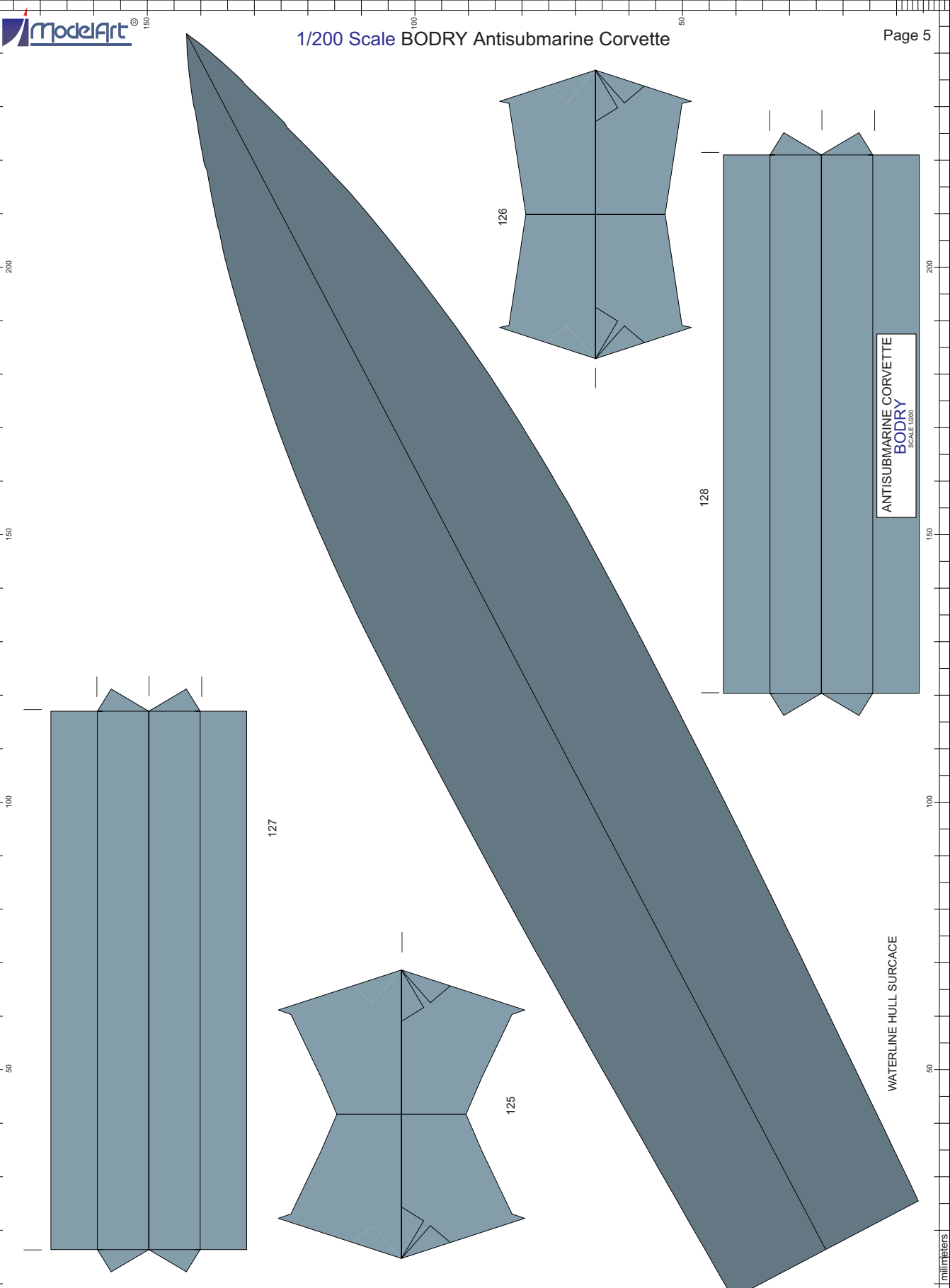
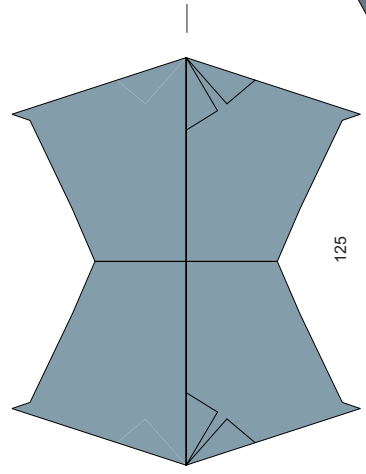
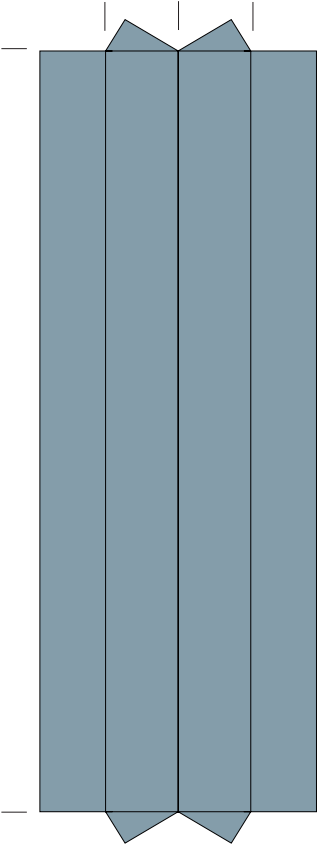
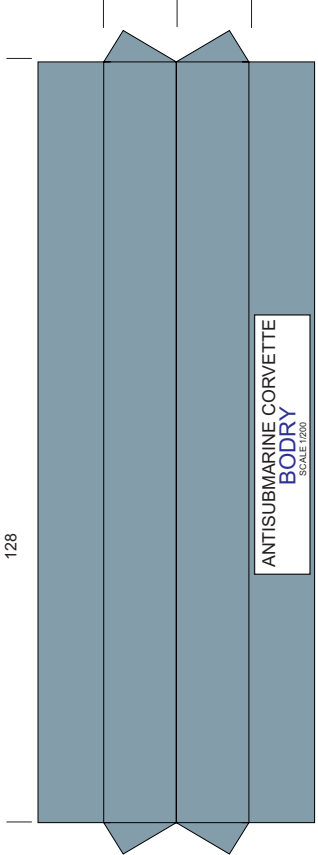
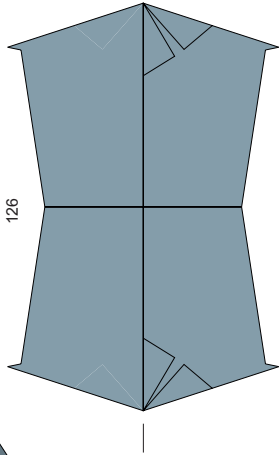
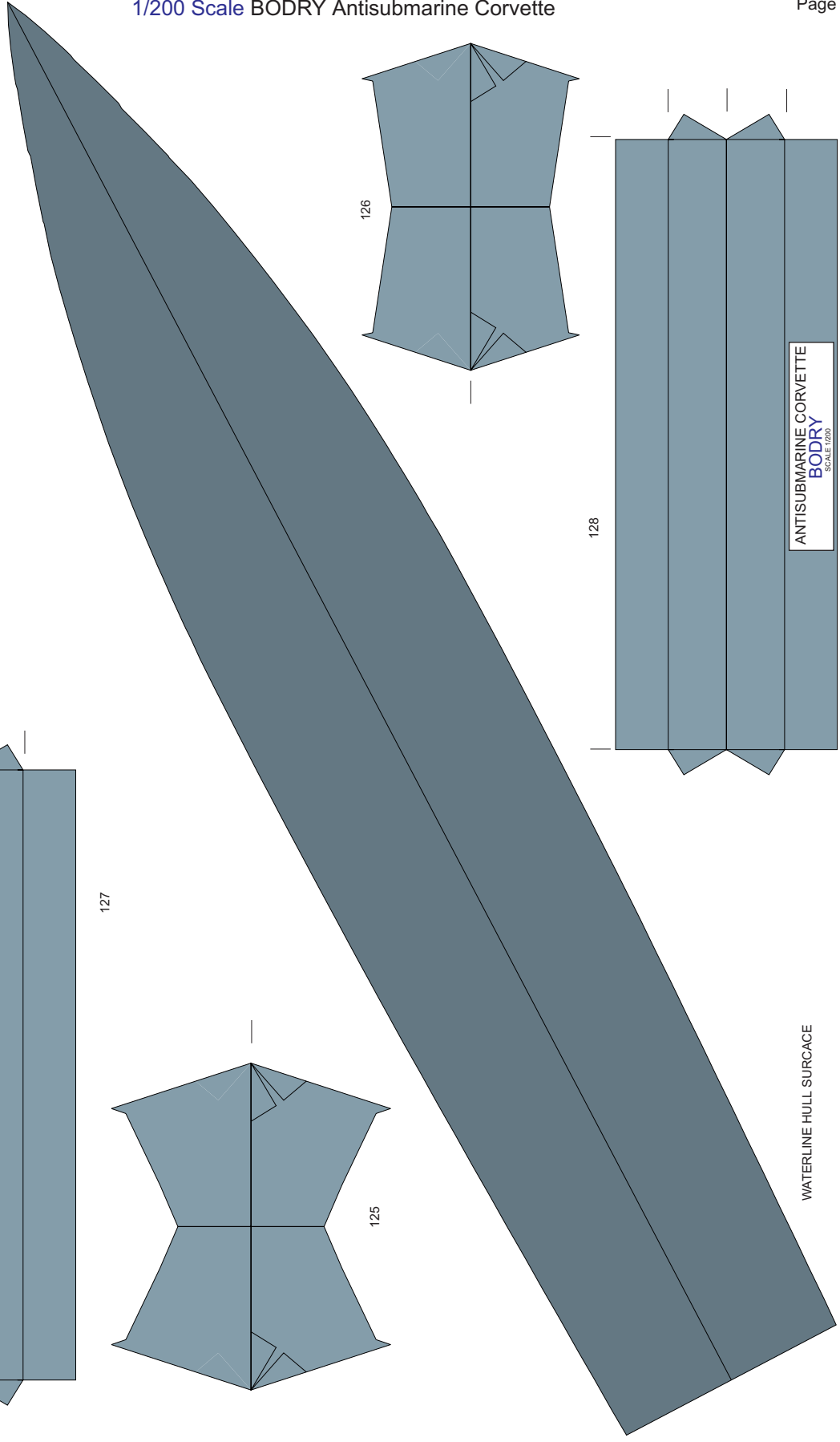
Spare parts area

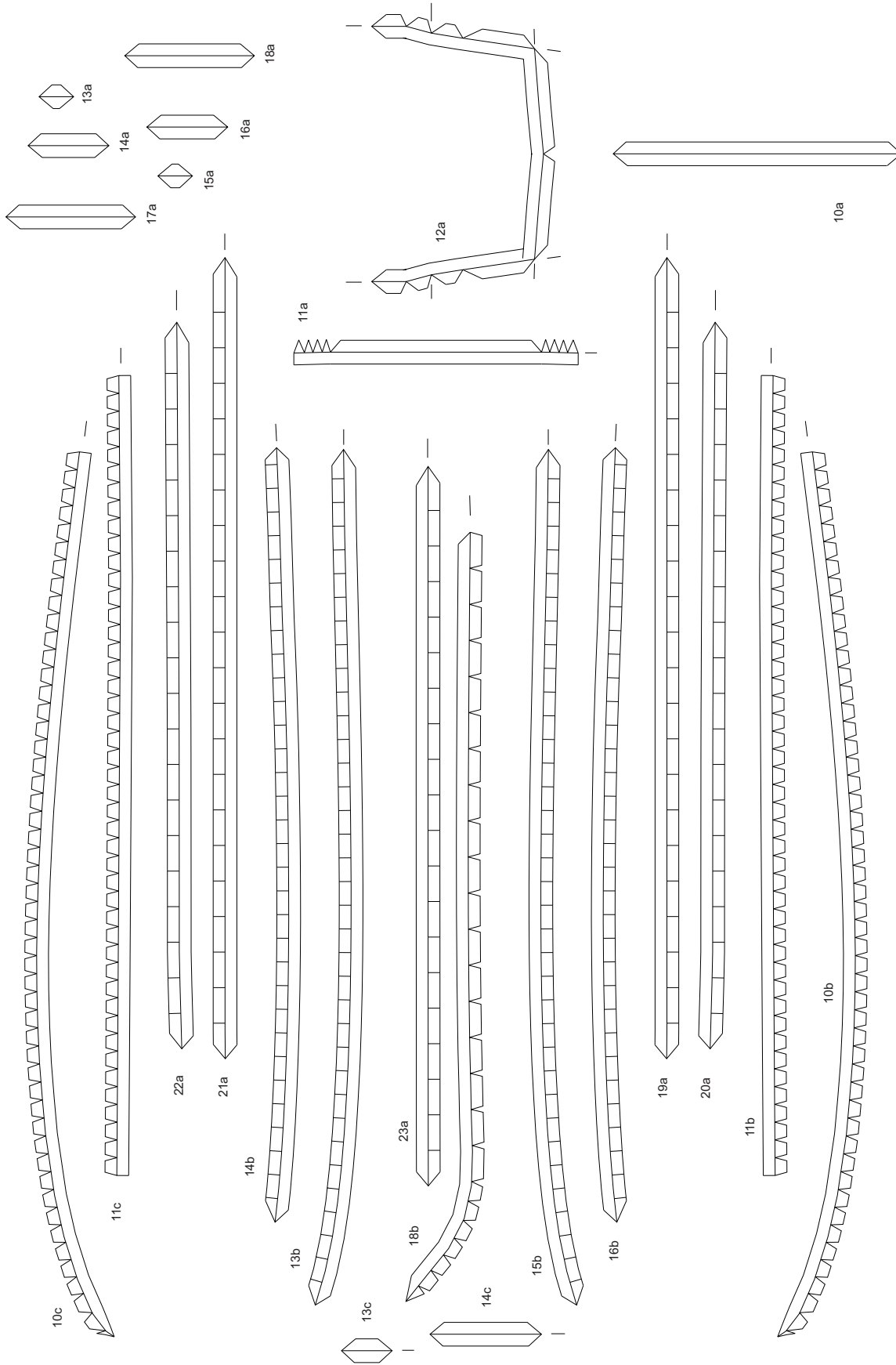


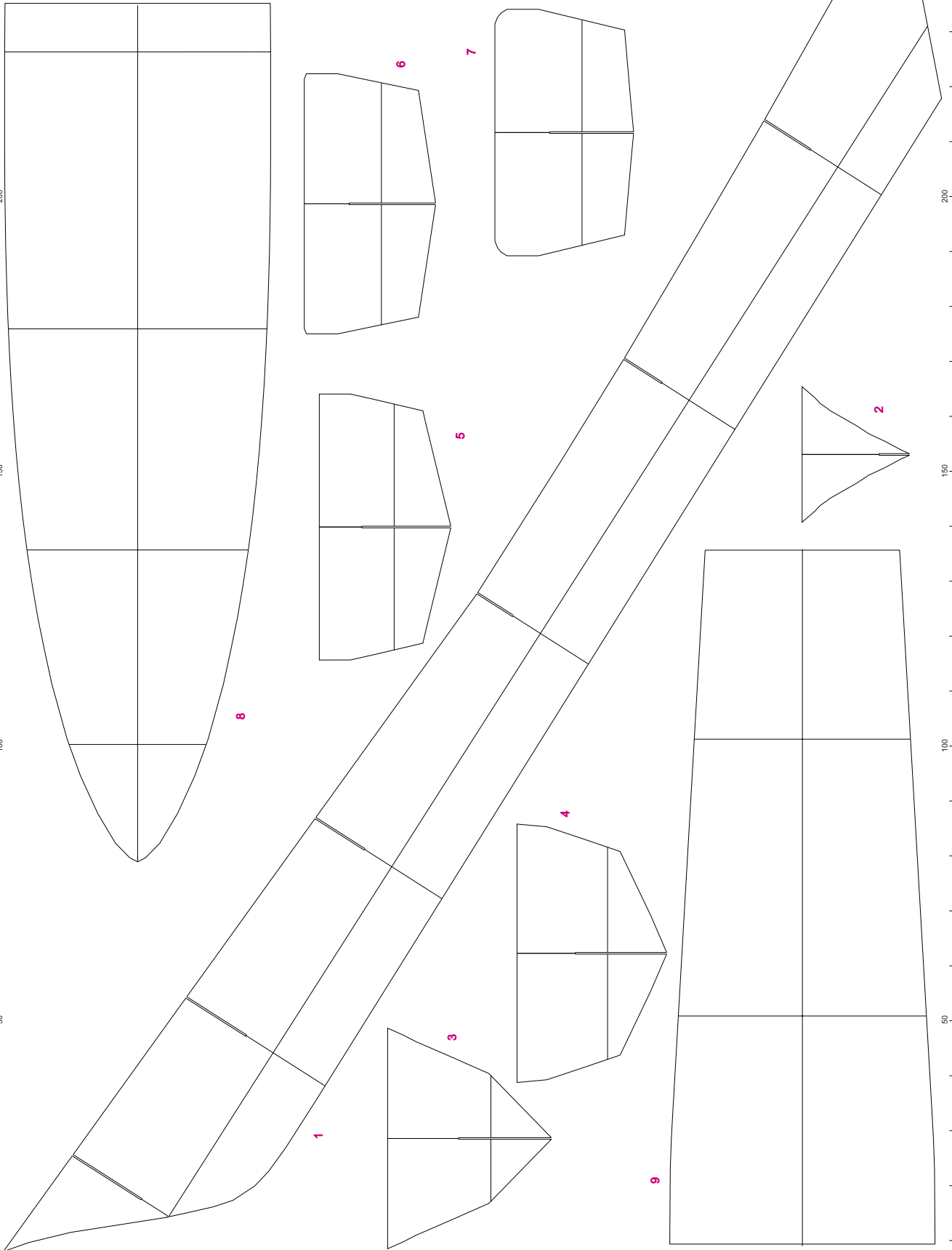




PRINT THIS PAGE ON 80-90 g/m<sup>2</sup> PAPER









### 1/200 Scale BODRY Antisubmarine Corvette

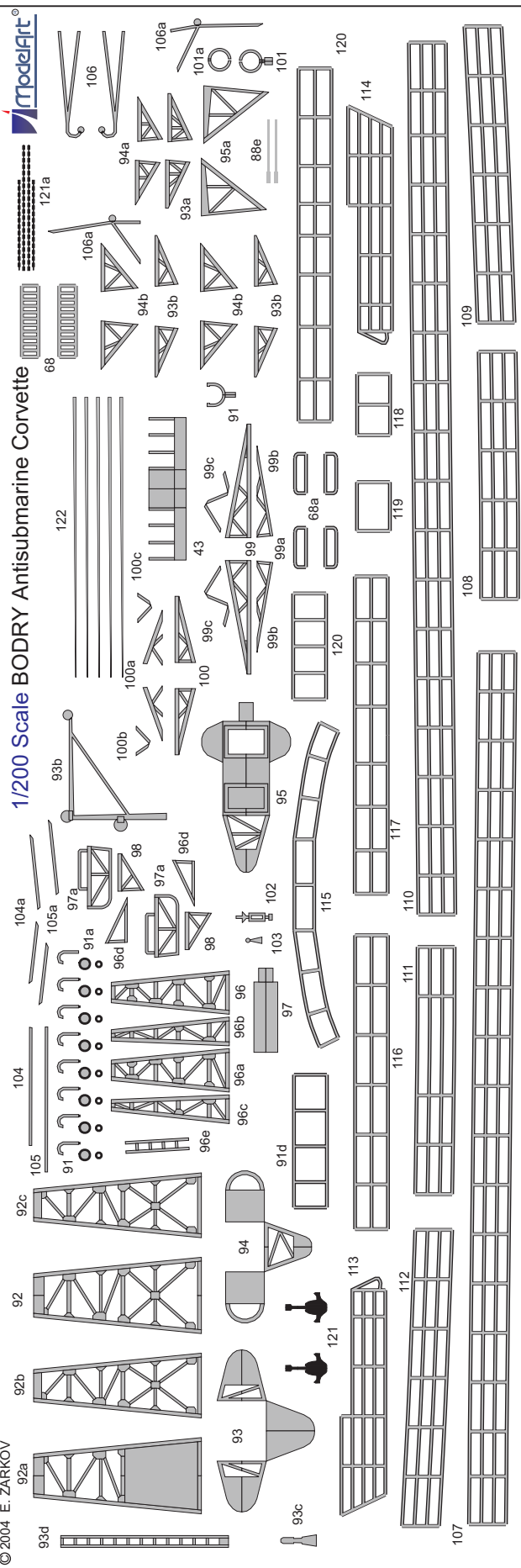
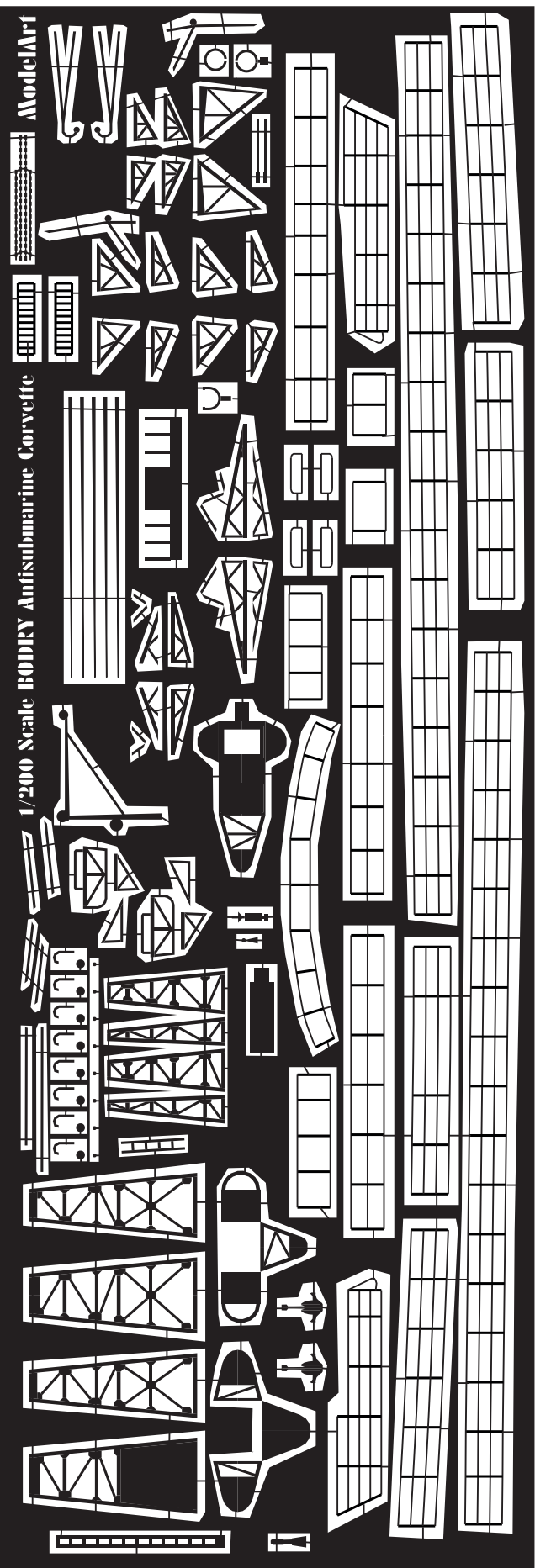


Photo etched parts

Photo etched parts patterns



## 1/200 Scale BODRY Antisubmarine Corvette

### ASSEMBLY INSTRUCTION

The proposed model of BODRY /BRISK/ is an antisubmarine corvette class “Pauk” /”Spider”/ also known as a Project 141-2. It is made from Russia and now is used in Bulgarian NAVY after modification of its electronics, armament, radar, navigation and communications systems according to the NATO standards after joining of Bulgaria to the North Atlantic Alliance. The ships of the same type are in use in some of the post members countries of the Warshaw Pact.

Study carefully the illustrative drawings, cutouts and present instruction before starting the work on the model. Try to imagine the separate assembly phases and the purpose of each detail.

Note that the ship model is composed of some very large and plenty of very small, even microscopic parts. For best results you must build both the large and small parts with the same precision. If you allow mistakes in building the large ship’s parts as hull, deck and main superstructures, no need to add small details at all. They’ll be somehow lost or shaded from the most highly visible mistakes on the main parts.

Since building the large parts takes only about 10 – 20 % from the entire working time of the ship modeling work, it is highly recommended if something goes wrong at this stage, to abandon the work, to reprint the necessary parts and to make a new attempt.

You’ll have to prepare the necessary materials:

- A4 or Letter format card stock with approximately 0.35 mm thickness.
- Appropriate glue – UHU or BISON clear adhesive or similar. Water based glues like White glue are not suitable at all. You’ll need also appropriate glue for the photo etched metal parts like Conocolit if you purchase them and appropriate model paint.
- Piece of transparent foil for windows, bridge and illuminators.

The instruments needed for assemblage are scissors, sharp modeling knife, rule, blunt knife for scoring the fold lines, tweezers, prickle and grinding paper.

Start the work on the model from the hull skeleton – parts 1-7. Glue over it the deck reinforcements 8,9, deck with its connecting stripes 10,11 and the stern 12. Assembly the hull’s sides /part 13-??. You can punch or cut the illuminators on them and use transparent parts, glued on their inner sides. Glue each segment of the hull sides by using its connecting stripes. After some dray tests carefully glue the halves of the hull

to the deck and skeleton. Use the grinding paper for fine adjustment the hull skeleton before gluing if it is needed.

As it was mentioned above, the largest ship's part – the hull, should be assemble with very high precision. If by some reasons you are not satisfied at this stage, it will be better if you make new attempt, using the gathered experience.

Continue with the superstructure. Score the all fold lines before cutting it. Cut the illuminators if you decided they to be transparent and glue the corresponding transparent parts inside them. Carefully glue the superstructure. After some dry tests glue it on the deck, together with details shown on view A2.

At this stage you can start the small details building. Follow the instruction drawings A3-A33. You can use pieces of wire isolation for building small cylinders despite to bend it from paper.

For best results for building the mast and some other small details you can purchase photo etched set of parts. You should paint it in appropriate color before use the parts. The mast assemblage is shown on view A34. If you didn't purchase the photo etched set, you can use the printed details. In this case you'll have to prepare connecting stripes where they are needed. Cut some long and 2 mm wide stripe with preliminary scored centerline. Then cut from them the connecting stripes with needed length.

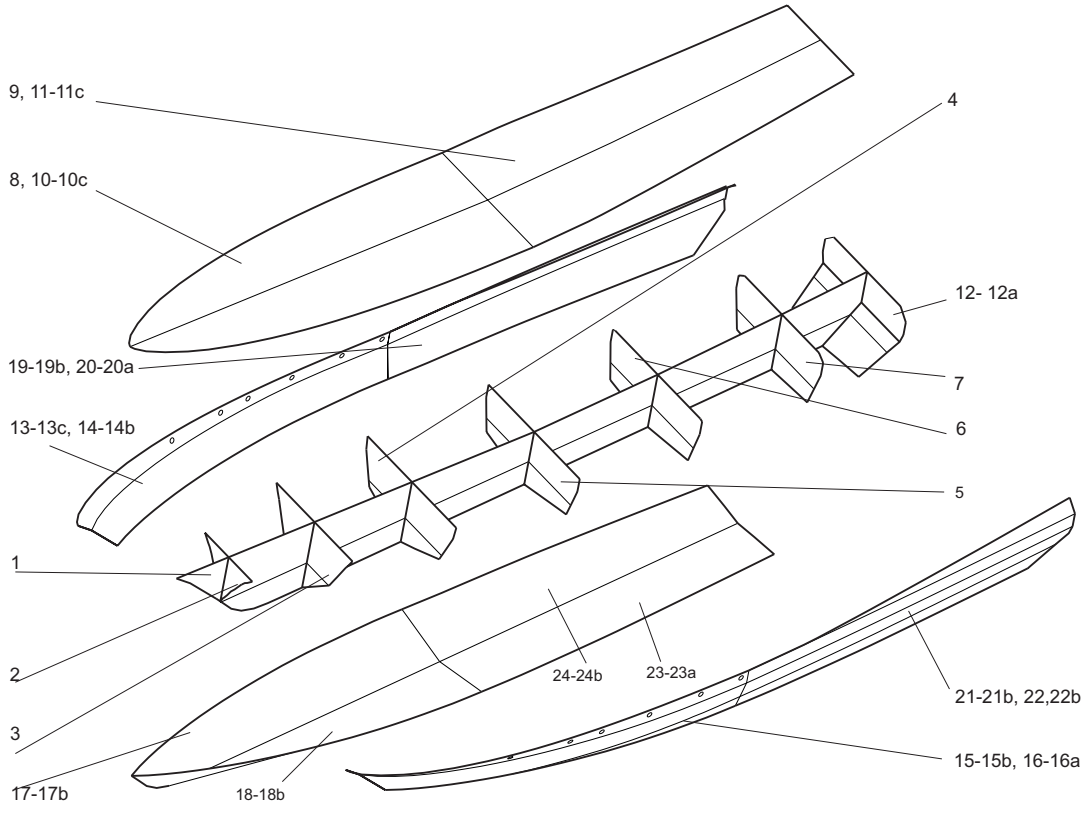
When the small details – armament, radar, bridge, safe boat and so on are ready, glue them on their places, following view A35. Then glue the reeling. Their placement is shown on view A36. Then glue the mast.

Assemble the model's stand. Glue the propeller and rule on the bottom of the model.

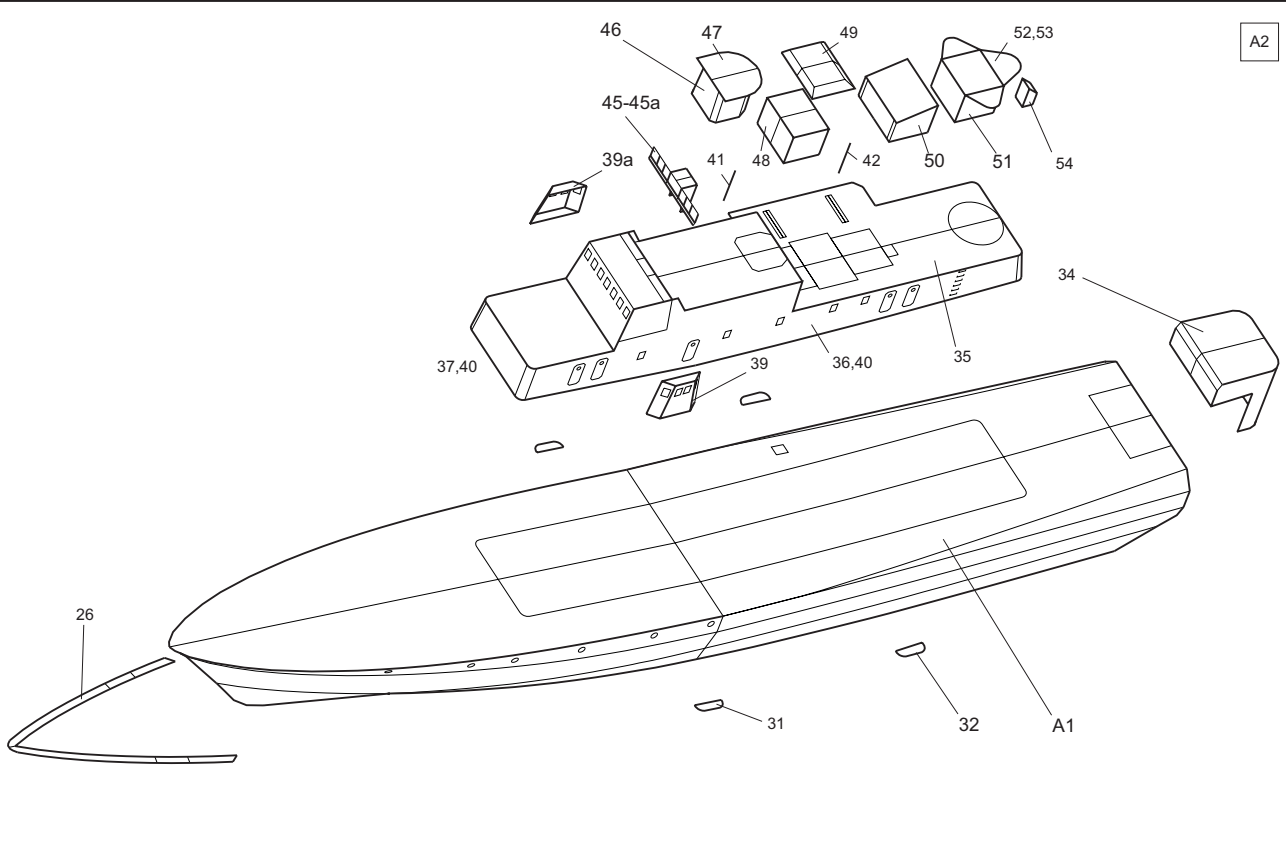
Complete the model by adding antenna wires. They can be made from wire or cord or by heat extruded pieces of gray plastic bars from some plastic kit. Their diameter should be less then 0.1 mm.

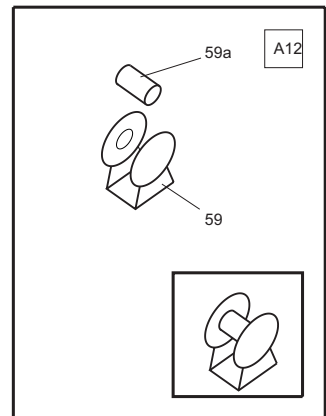
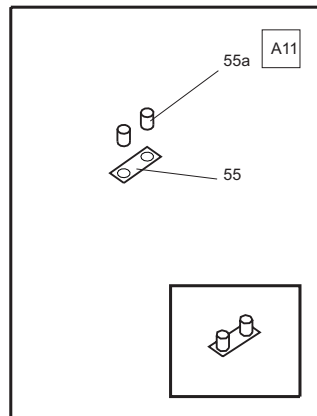
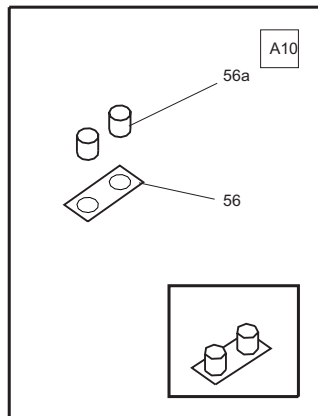
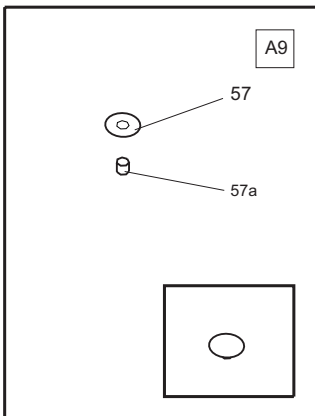
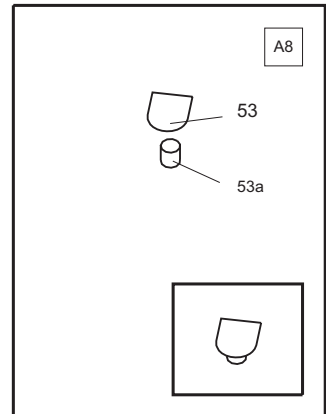
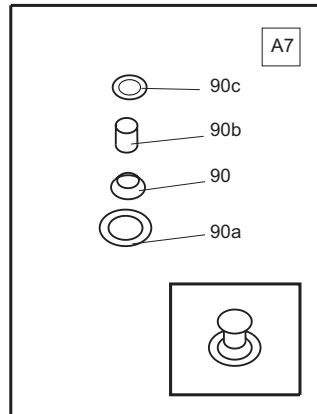
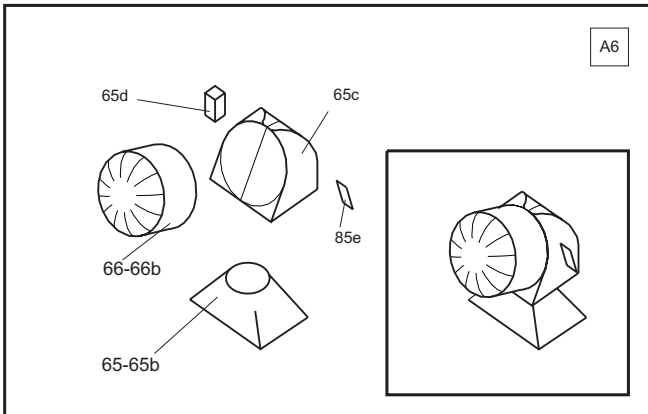
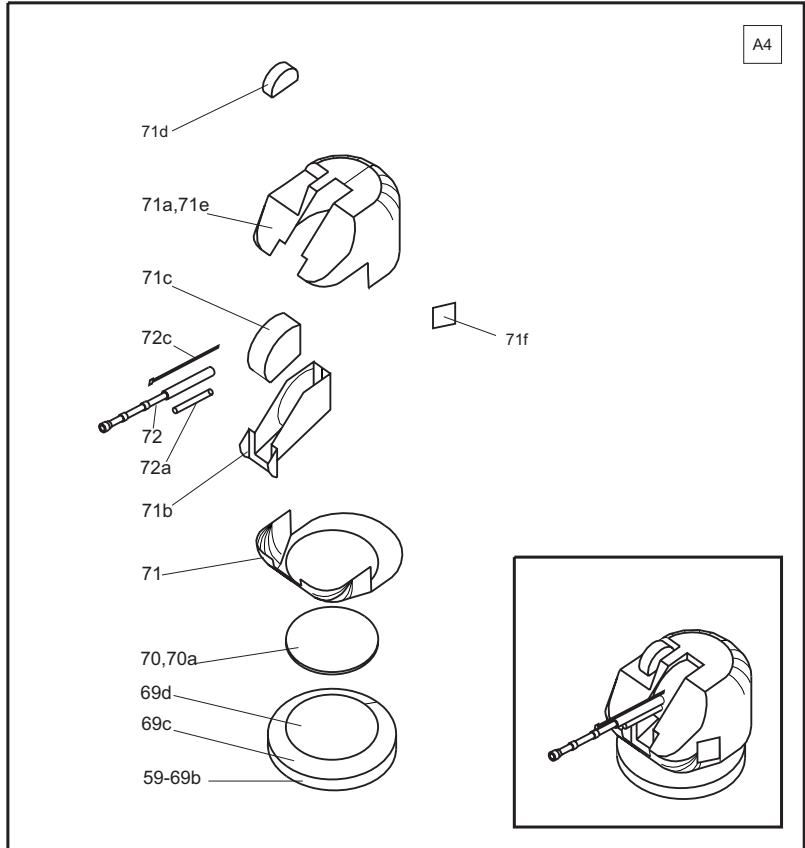
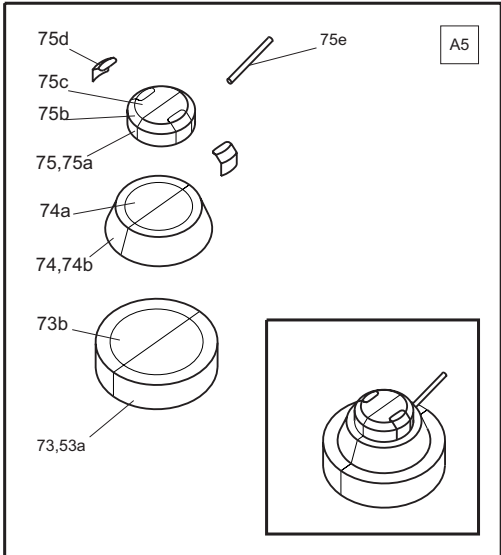
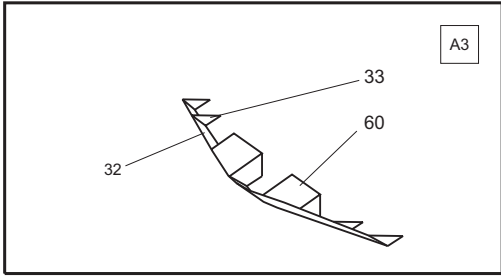
Now your model of BODRY is ready. Enjoy!

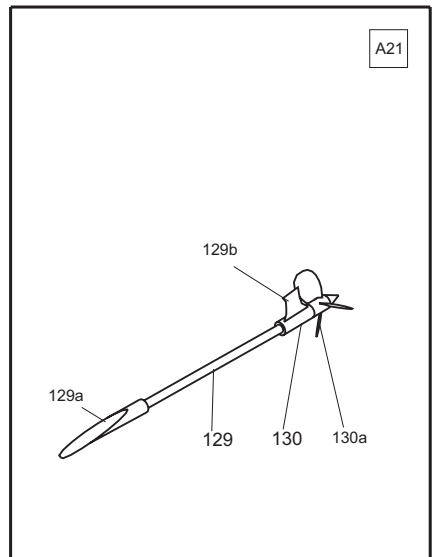
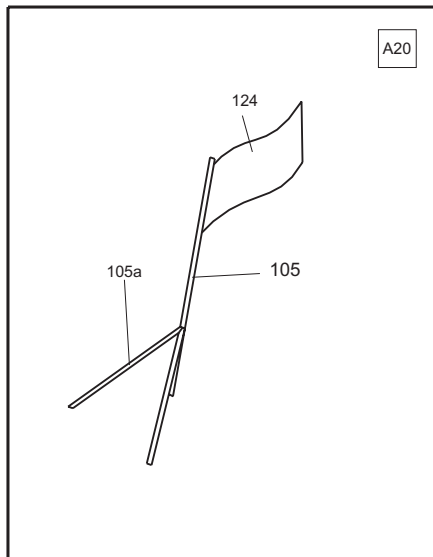
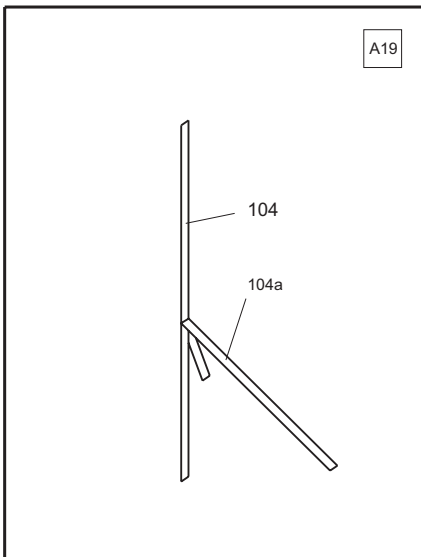
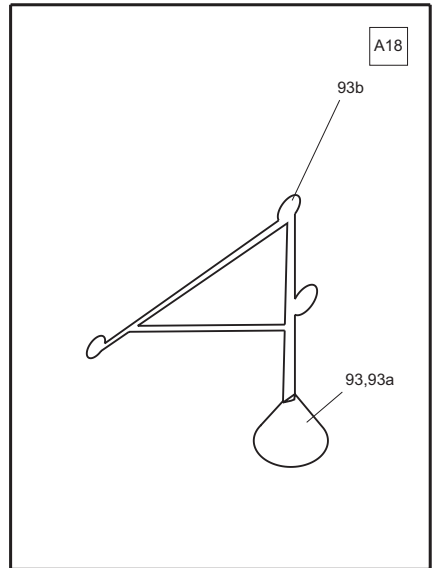
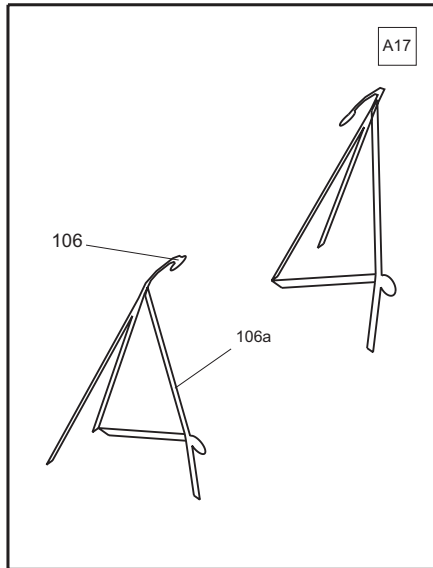
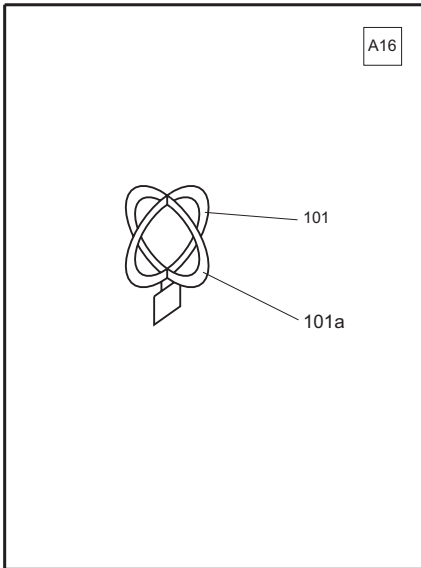
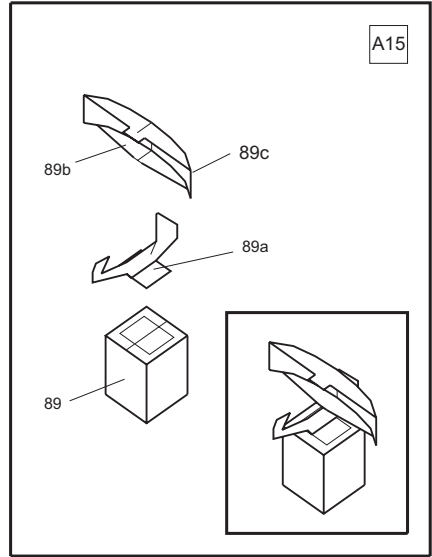
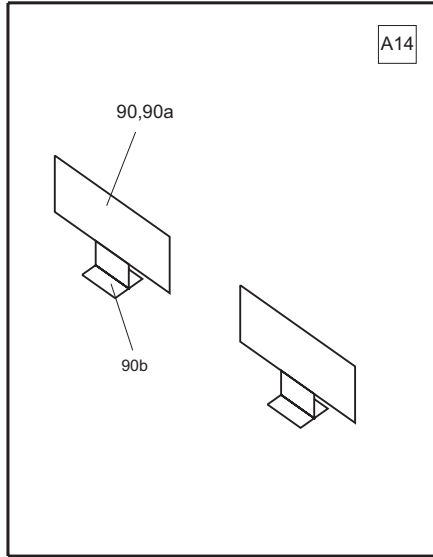
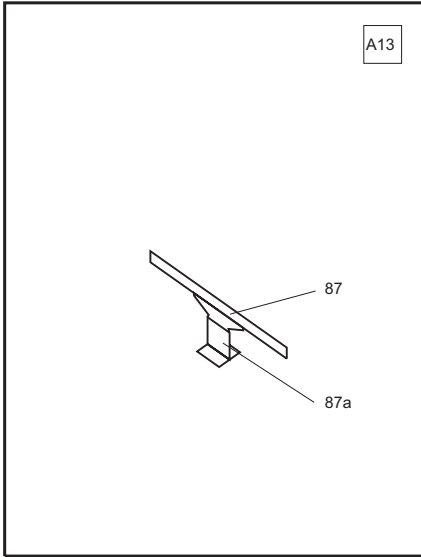
A1

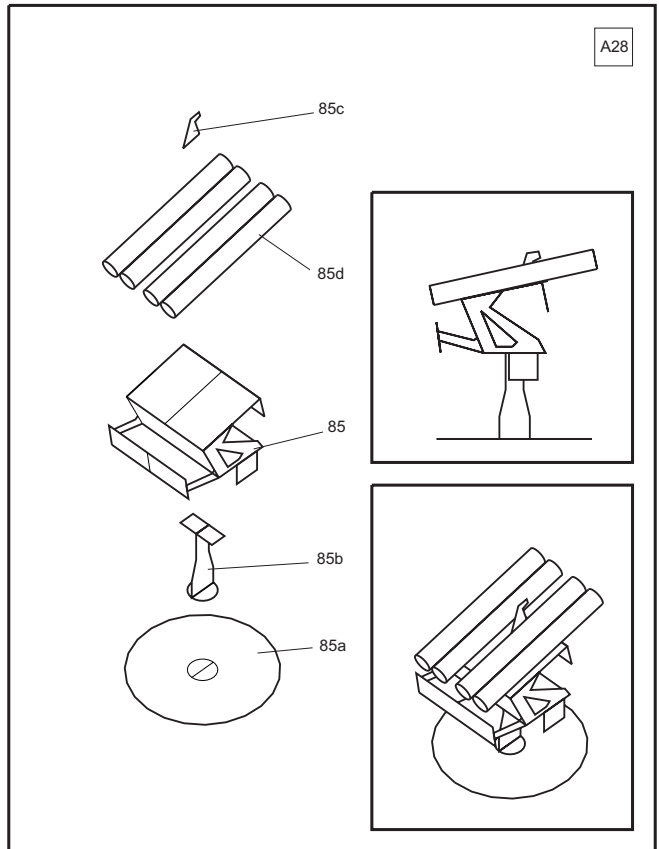
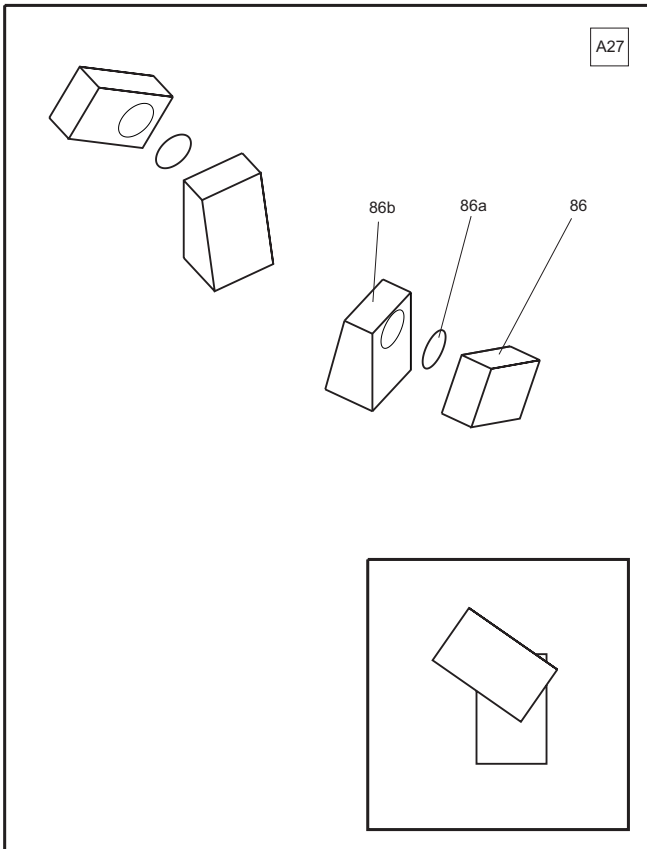
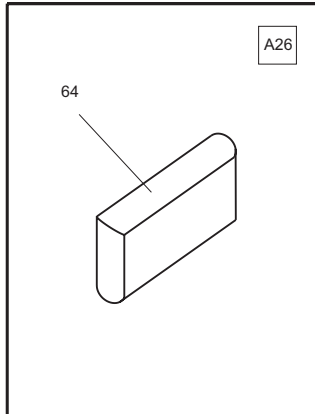
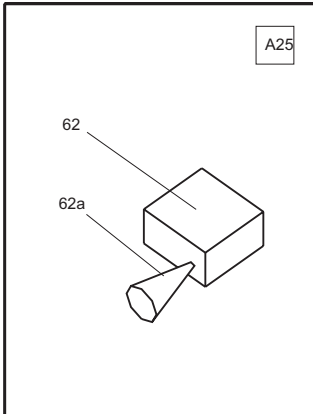
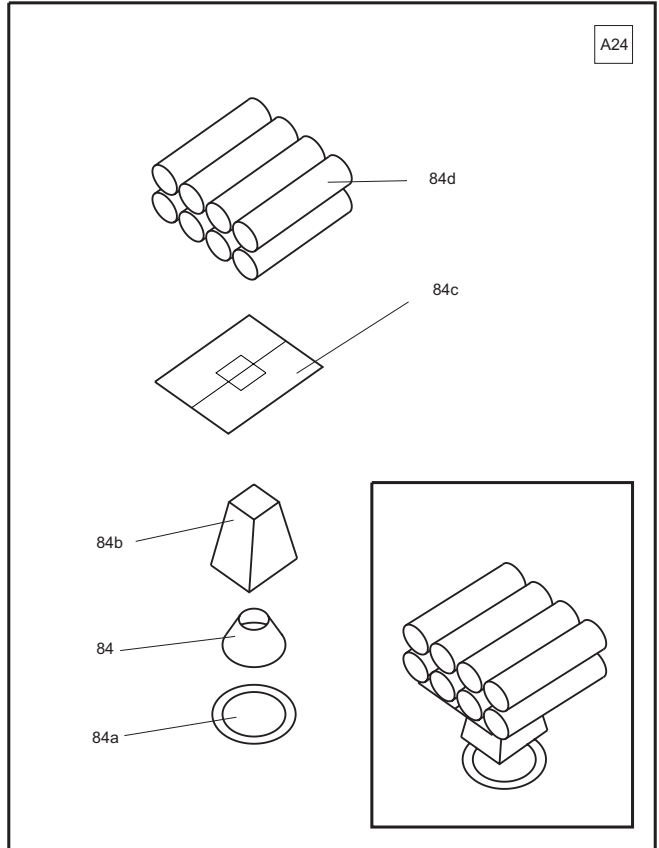
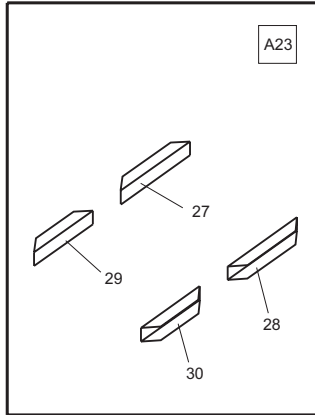
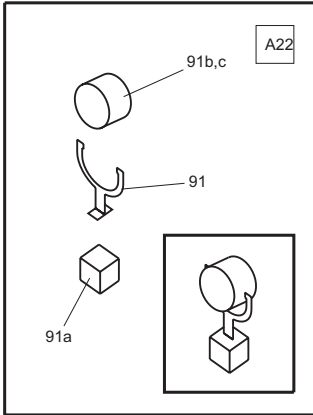


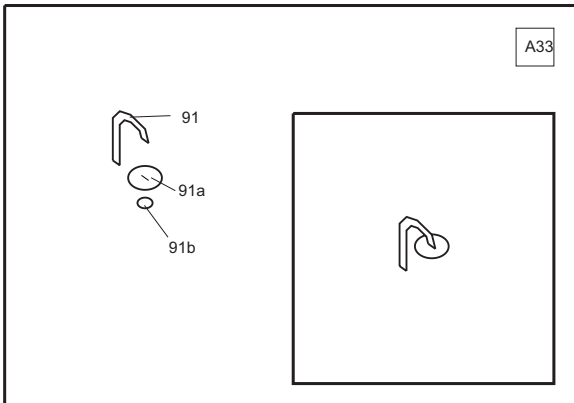
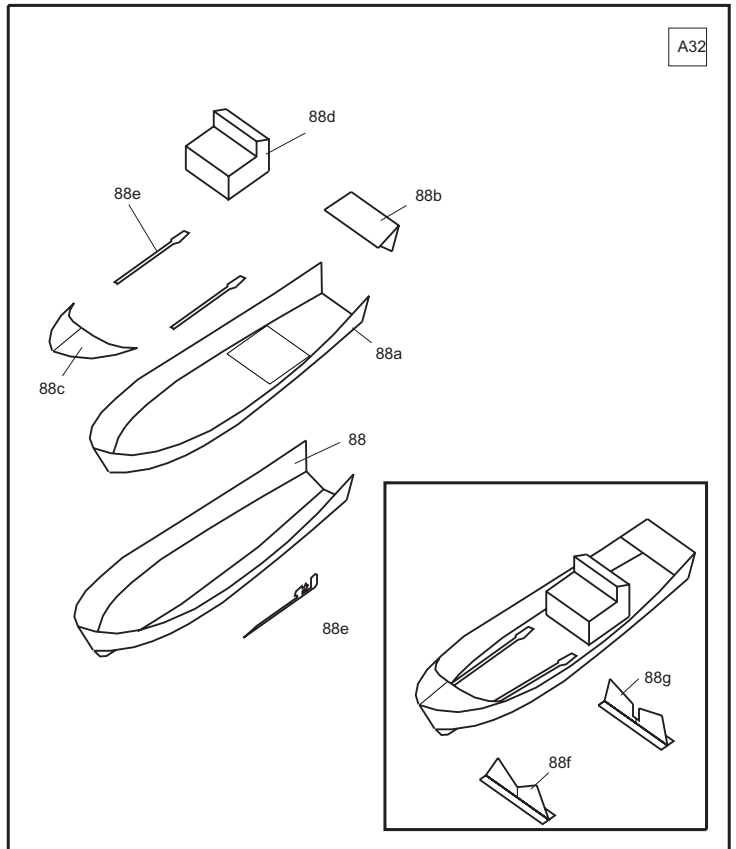
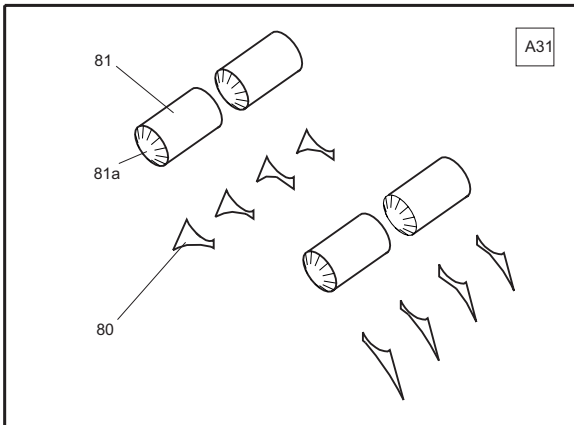
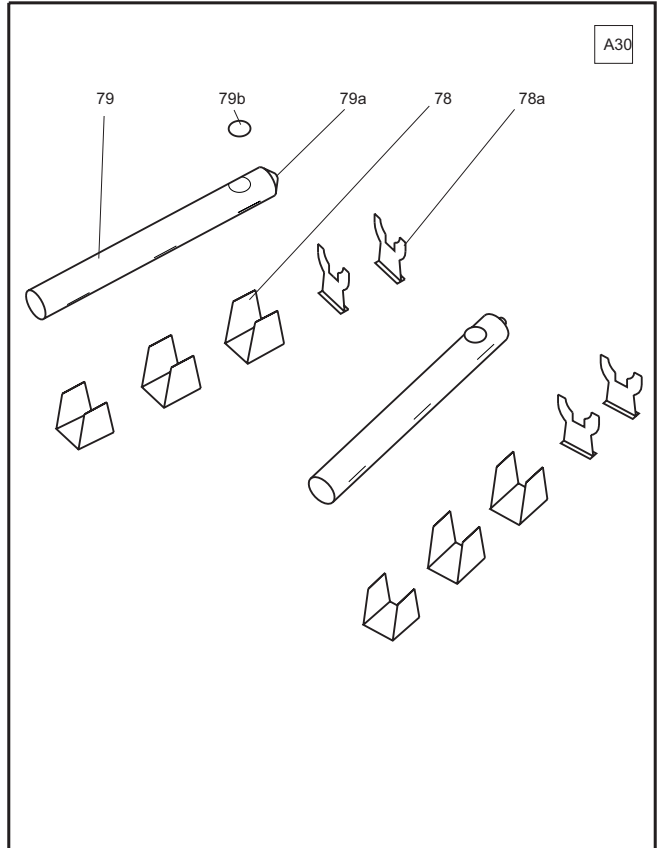
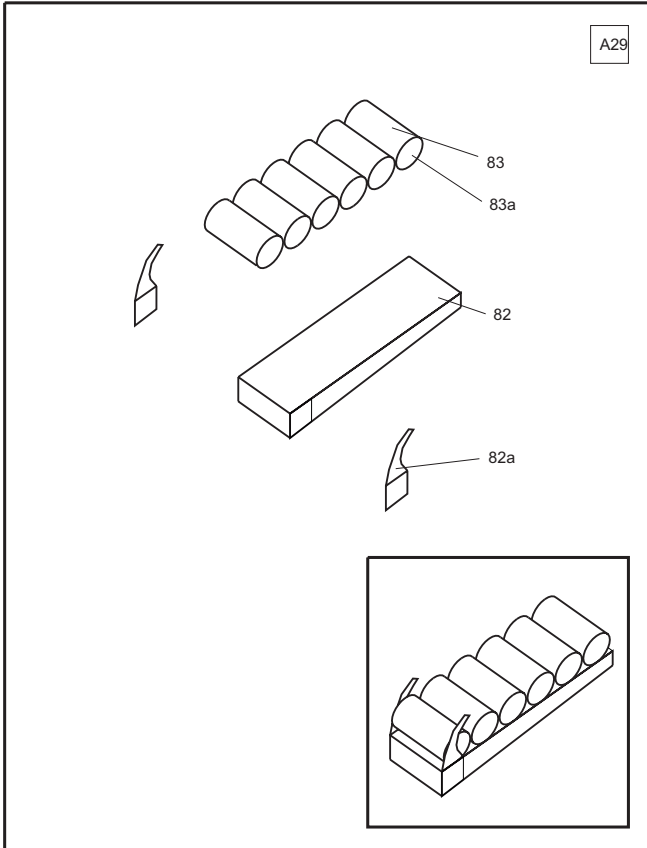
A2



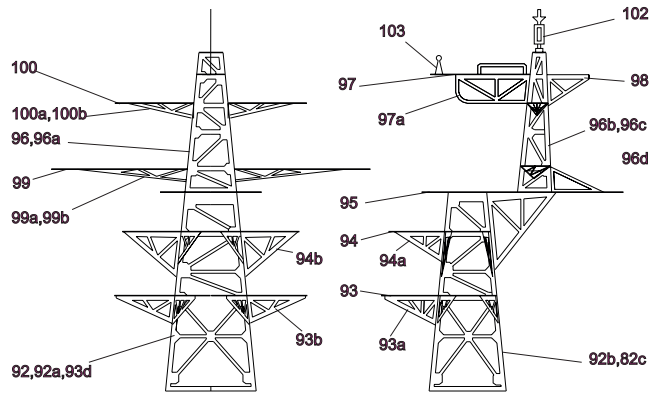




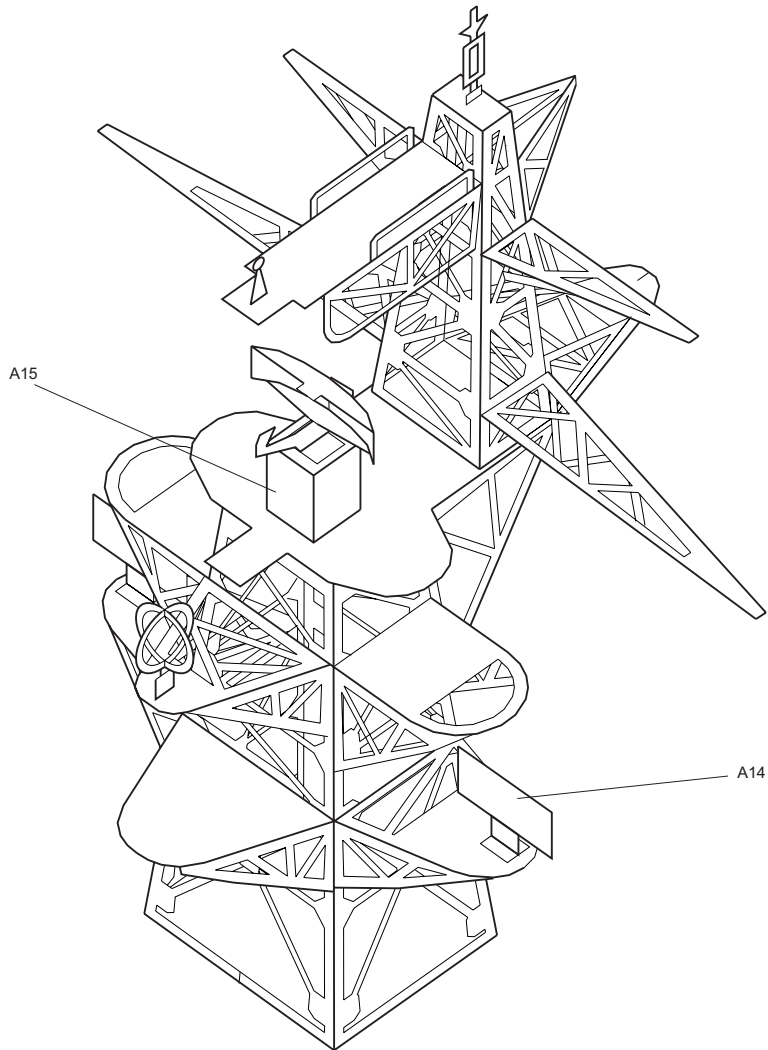




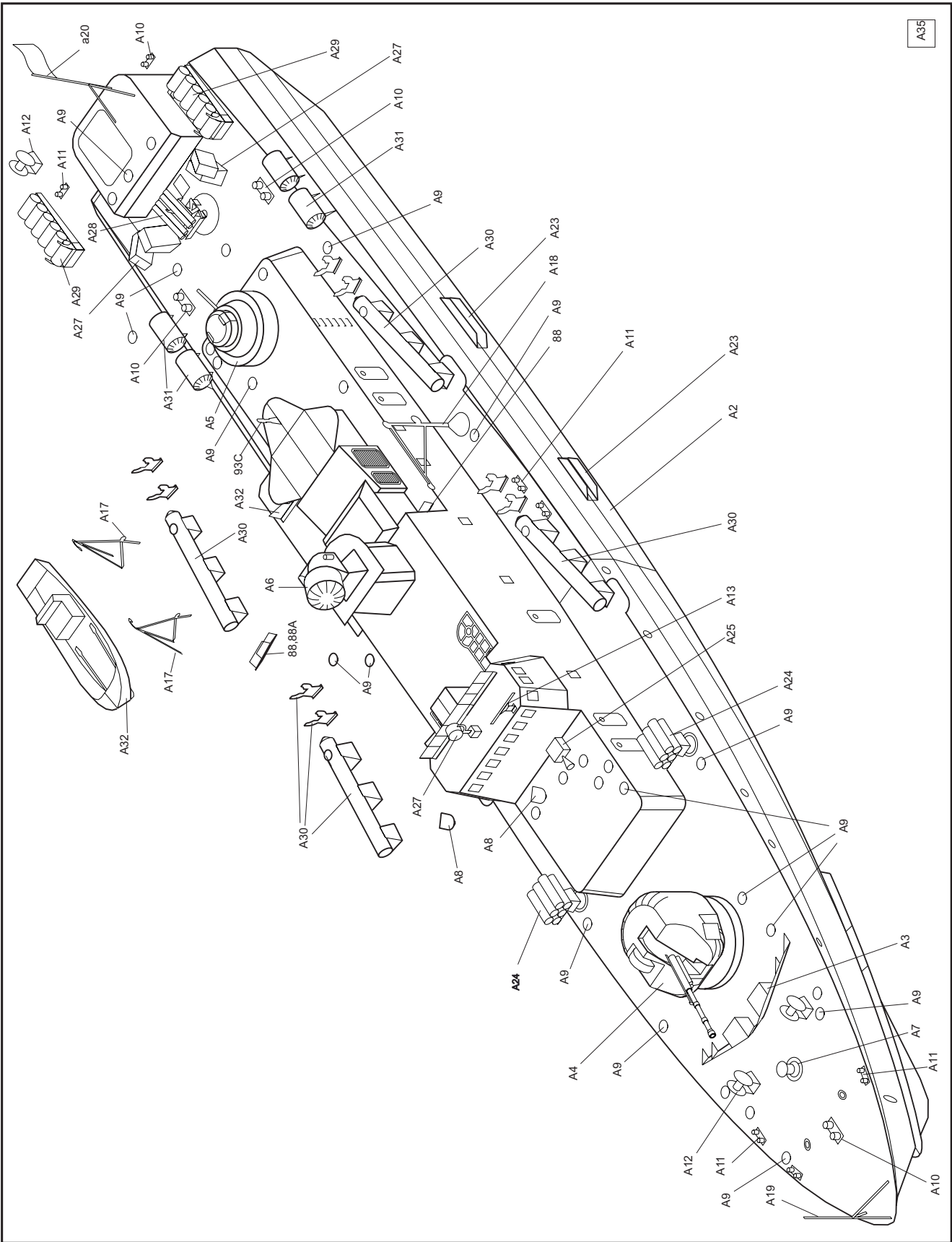




SCALE 1:200



A34



A36

