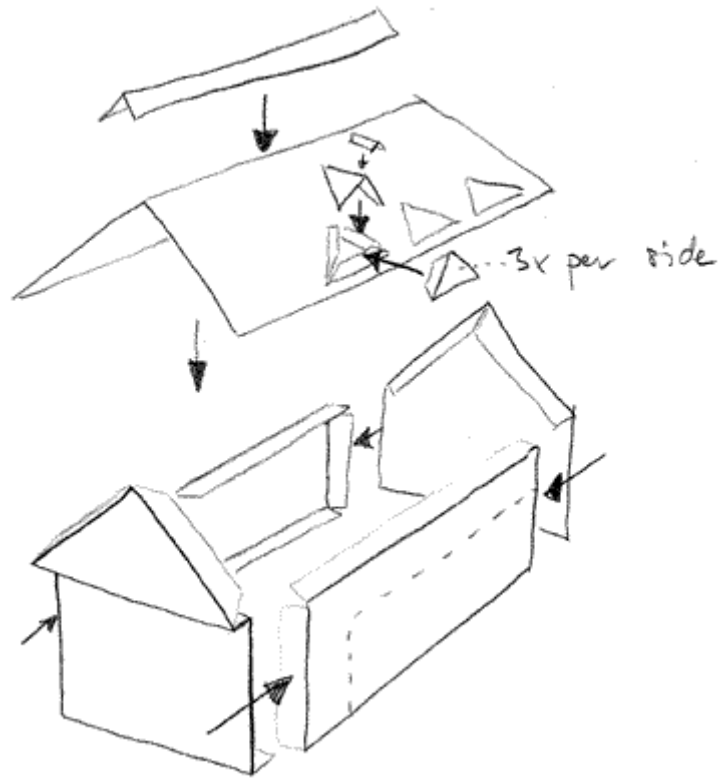


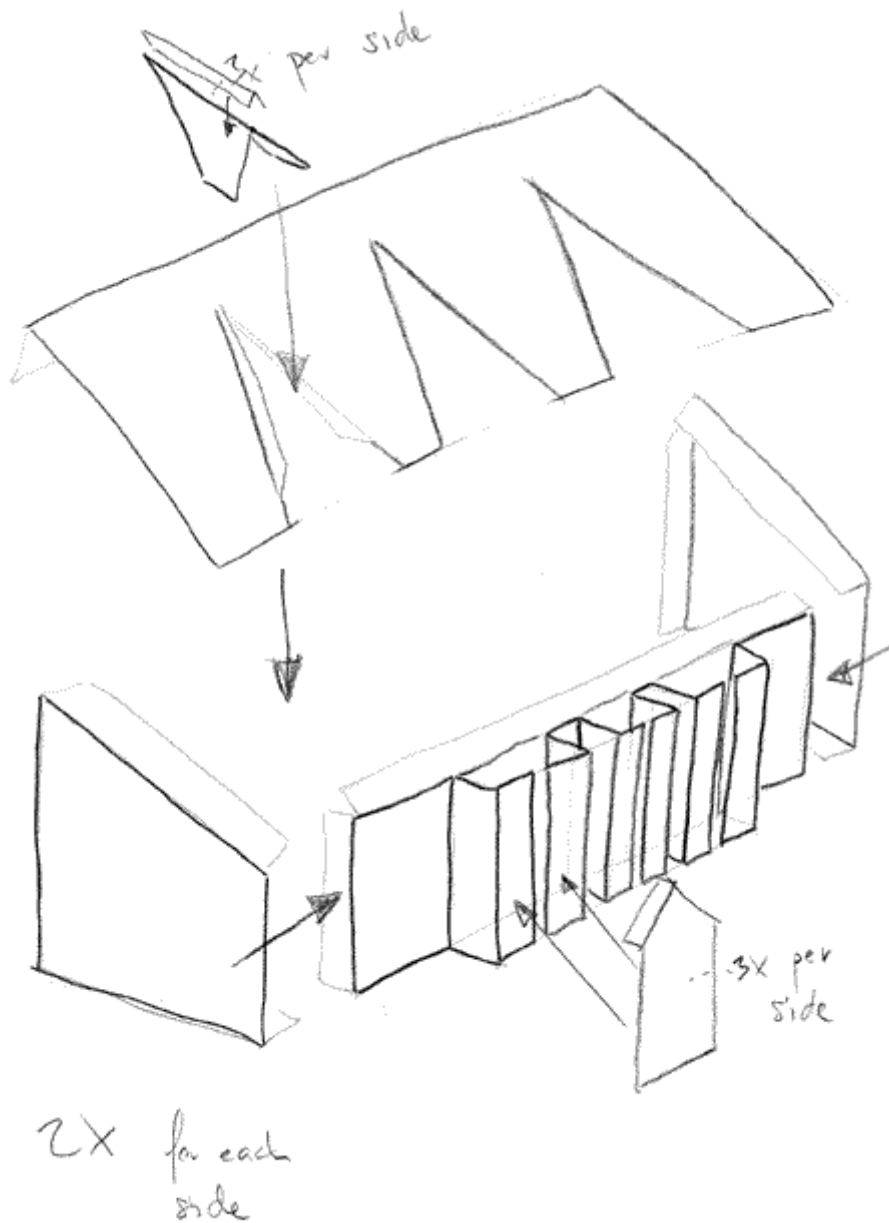
Building Instructions for Golden Hall of Edoras

The Main House



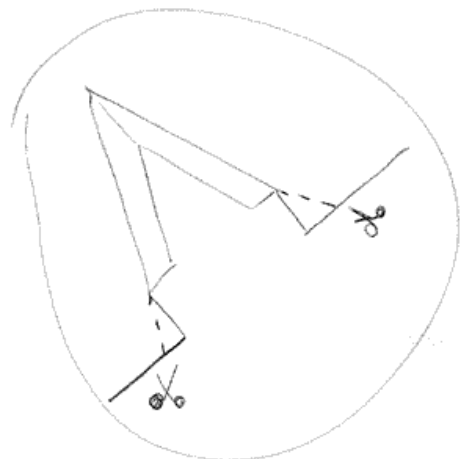
Make the basic house box as shown above. Put on the roof and add the smaller triangle roofs.

The Side Houses (build 2x)

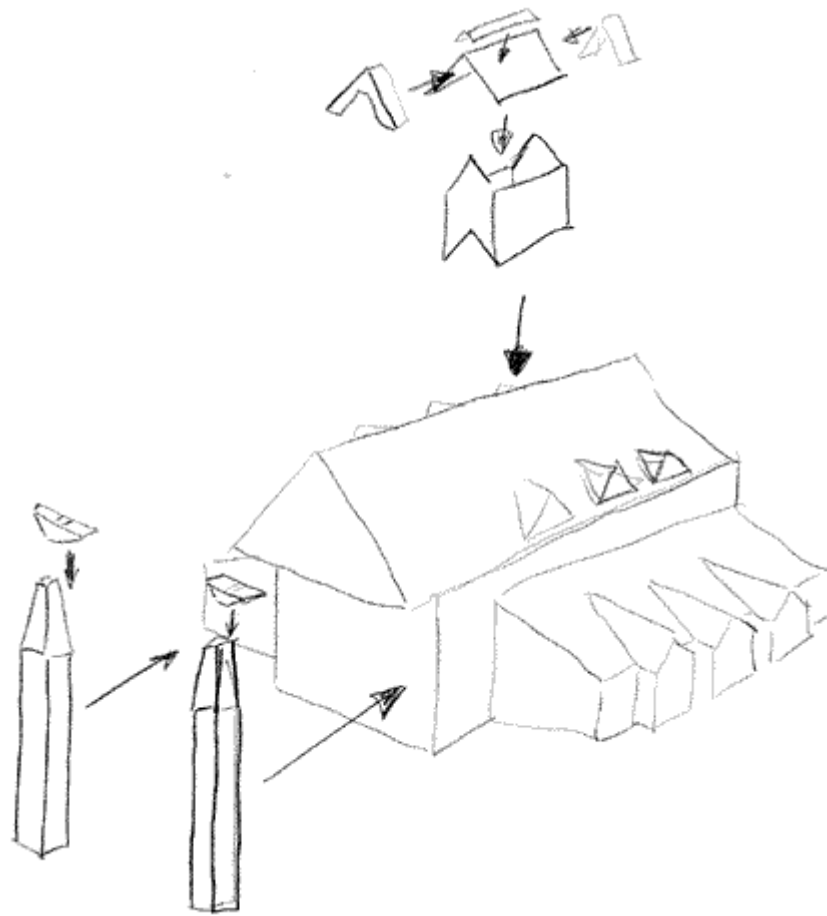


The only tricky thing is the part with the multiple bends. With the illustration it should be no problem as long as you cut and bend correctly as indicated in the PDF file.

Notice that when cutting the roof section it is better to cut along the imaginary extension of the triangle line than along the printed solid line!

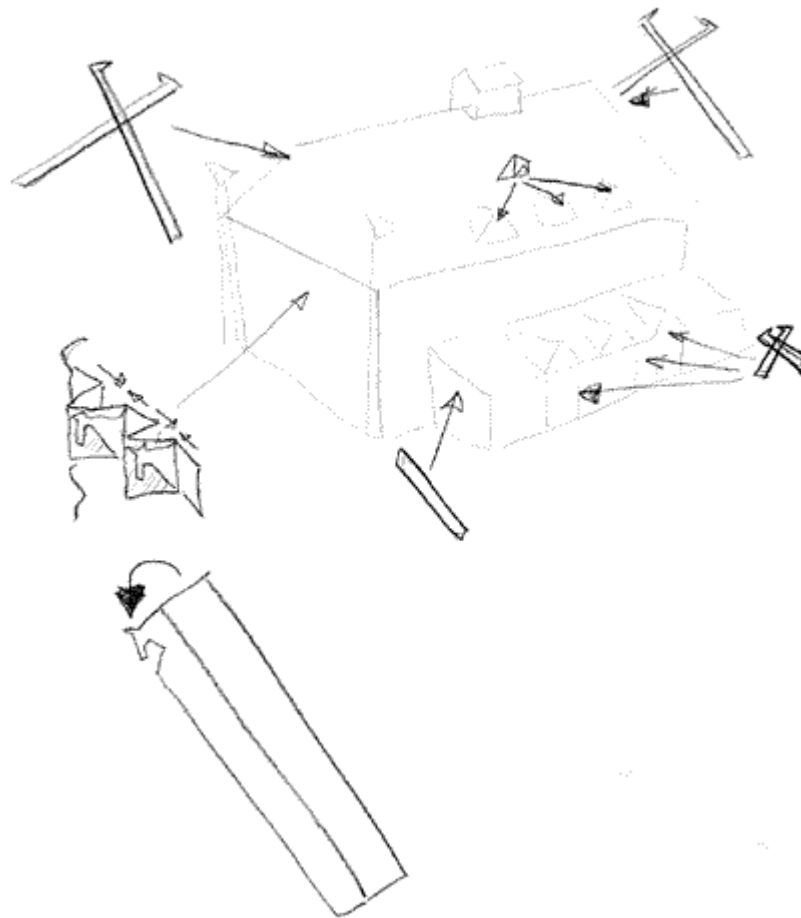


The Columns and Roof House



Carefully cut off the overlapping roof in the front where the columns will be fitted. When you try to put the columns into place you will see what I mean.

The horse heads!



Basically cut out all the horse head things. Bend and glue them, then cut out the pattern that is shown on one side and stick them into place as shown above.

Do not hesitate to contact me on <http://www.papermodels.at> or directly using lightning2911@papermodels.at if you have questions.

Good luck and enjoy!