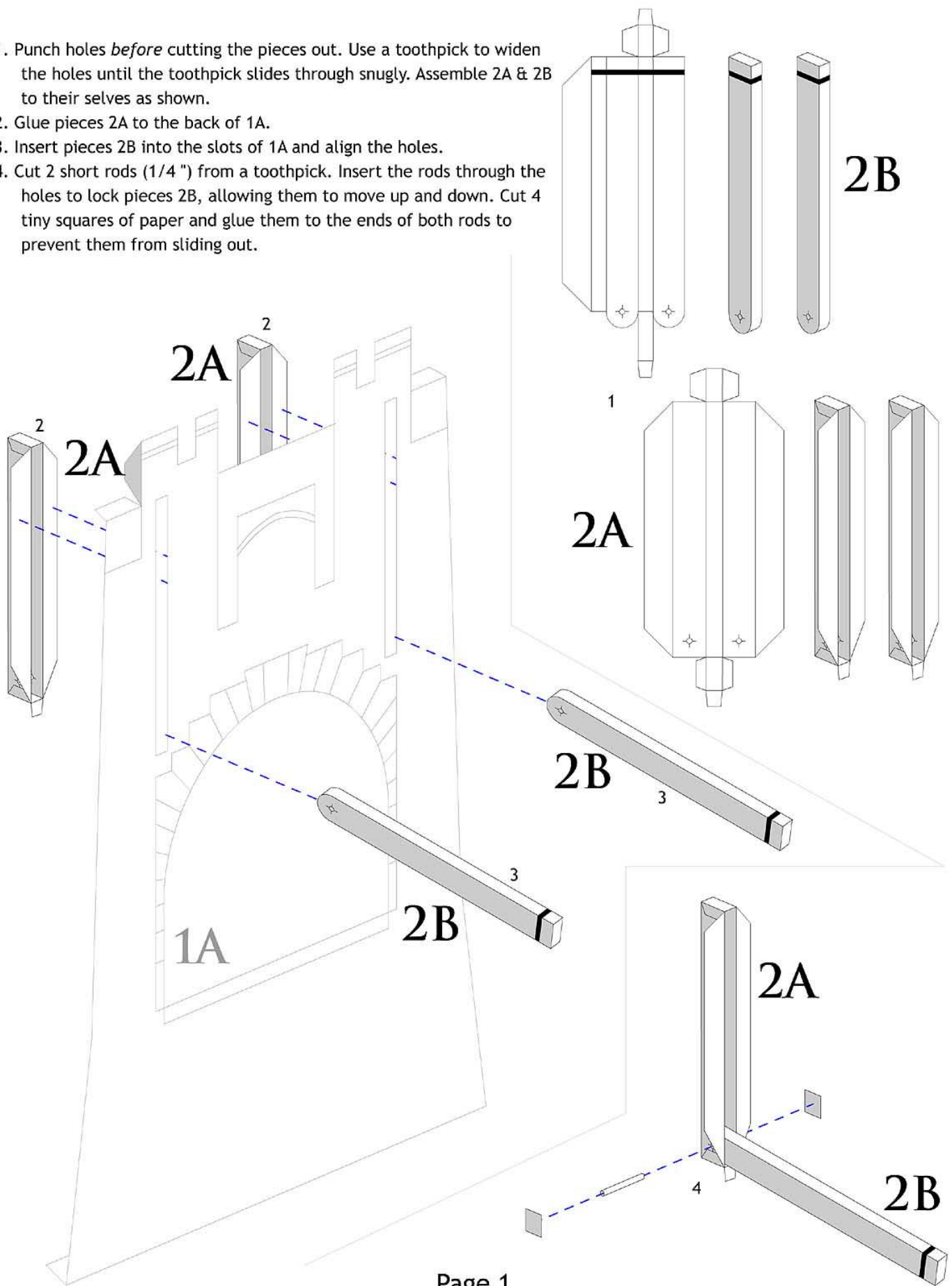
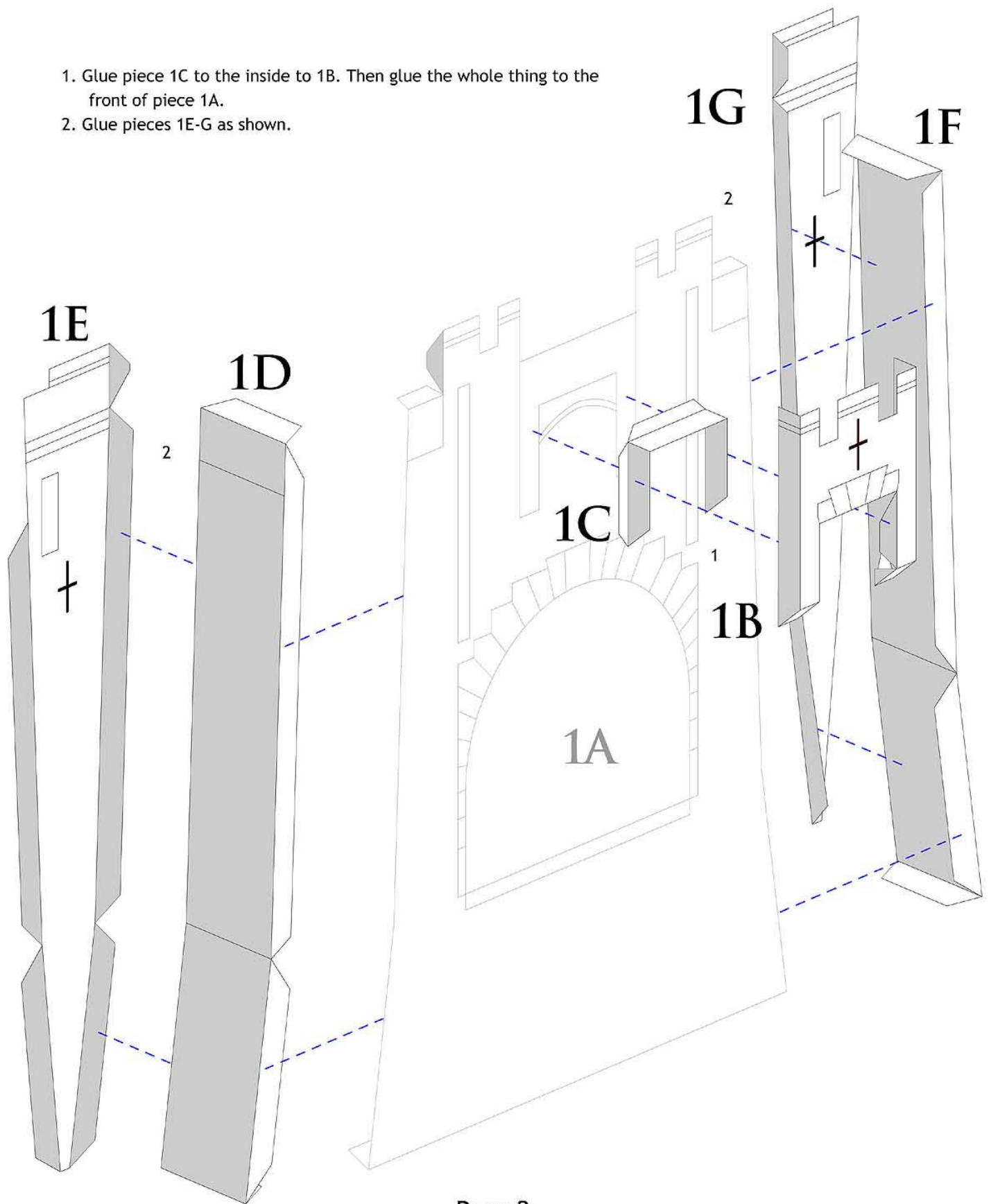
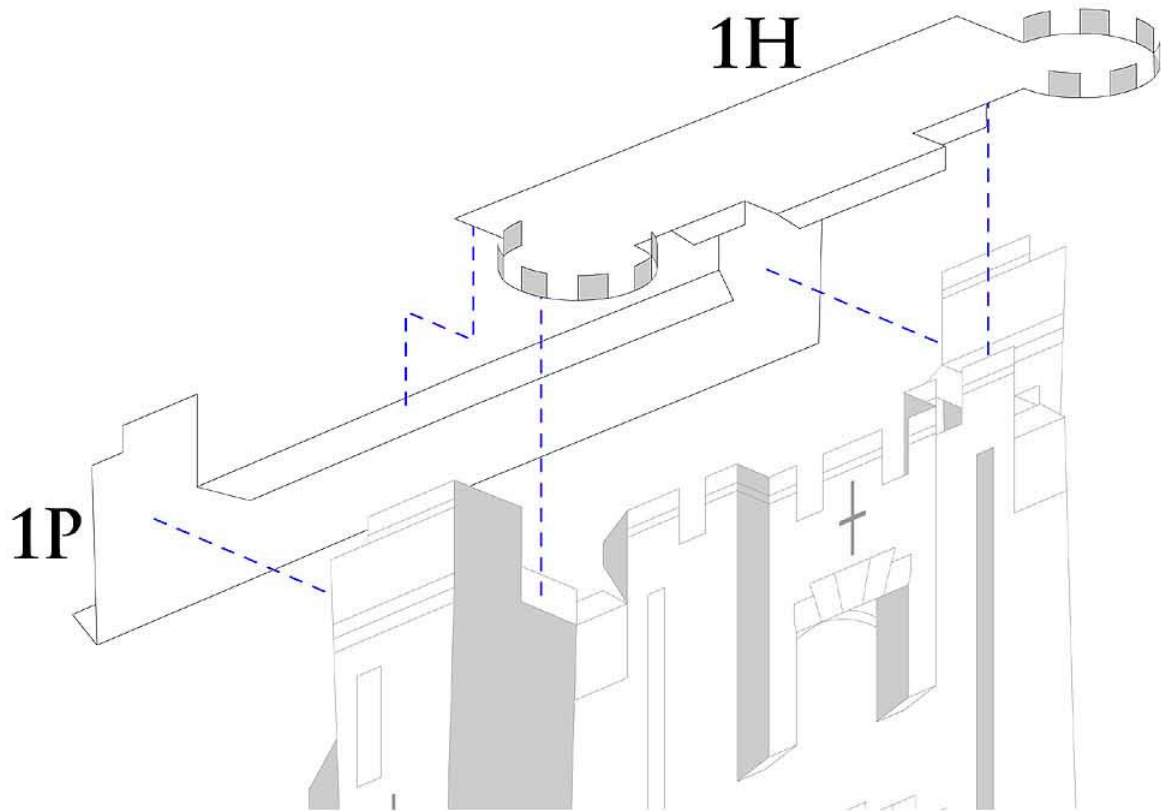


1. Punch holes *before* cutting the pieces out. Use a toothpick to widen the holes until the toothpick slides through snugly. Assemble 2A & 2B to their selves as shown.
2. Glue pieces 2A to the back of 1A.
3. Insert pieces 2B into the slots of 1A and align the holes.
4. Cut 2 short rods (1/4 ") from a toothpick. Insert the rods through the holes to lock pieces 2B, allowing them to move up and down. Cut 4 tiny squares of paper and glue them to the ends of both rods to prevent them from sliding out.

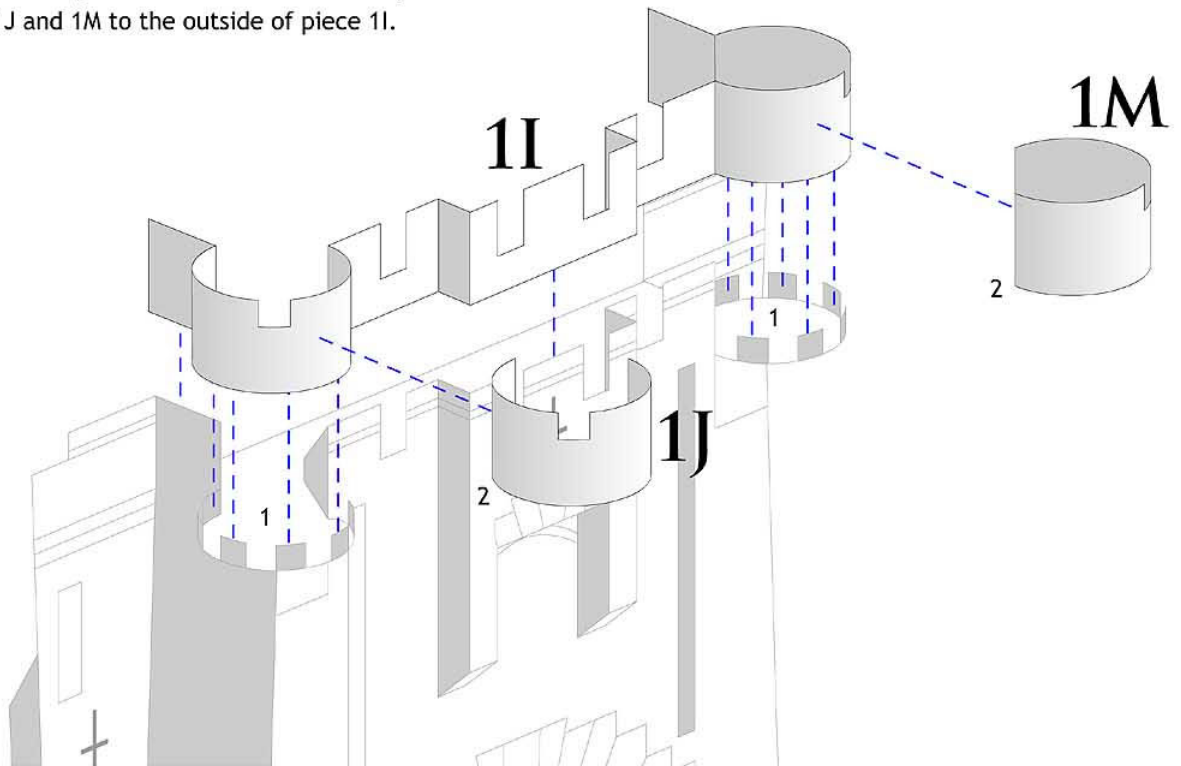


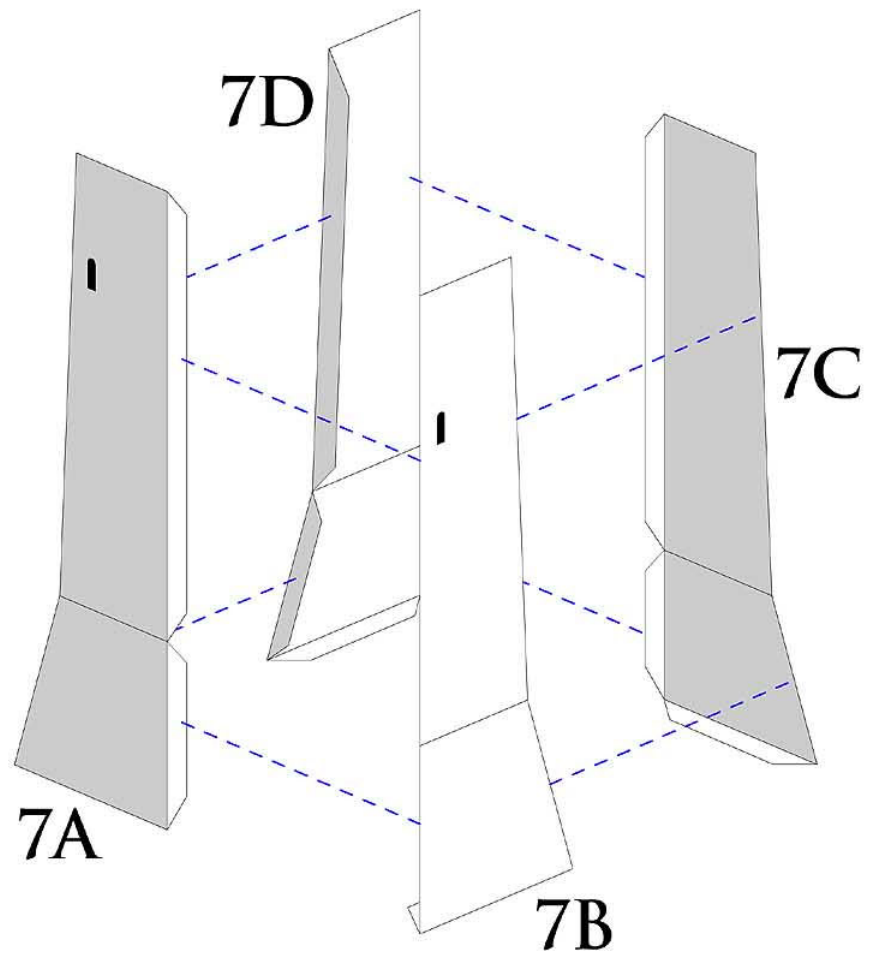
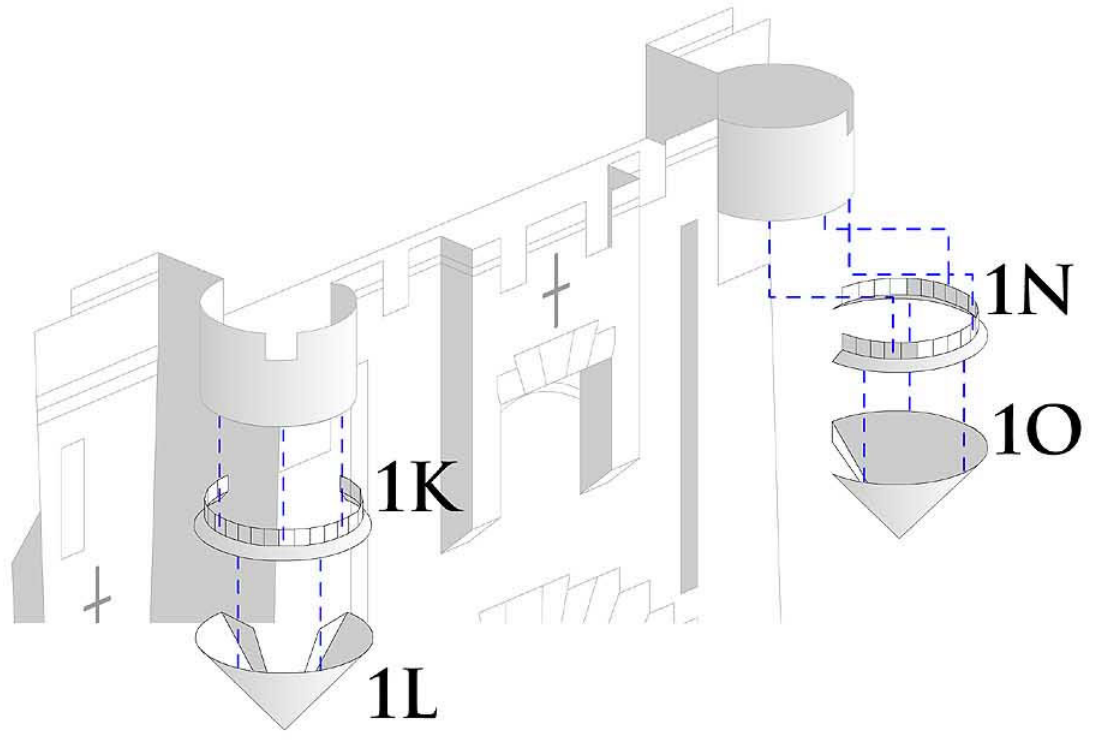
1. Glue piece 1C to the inside to 1B. Then glue the whole thing to the front of piece 1A.
2. Glue pieces 1E-G as shown.

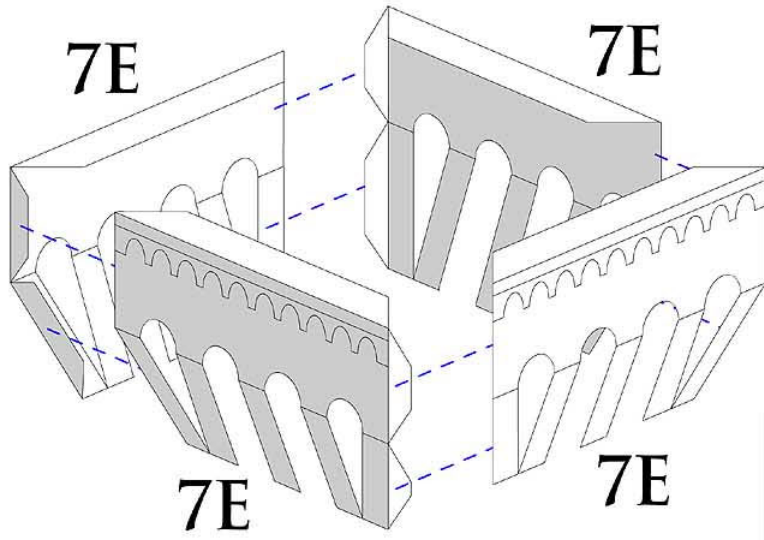




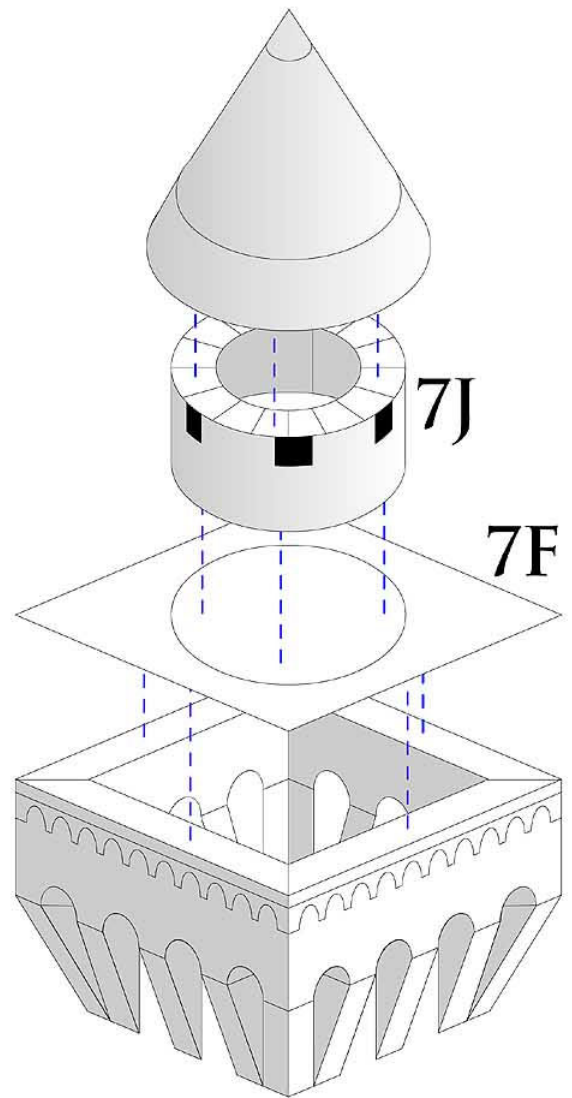
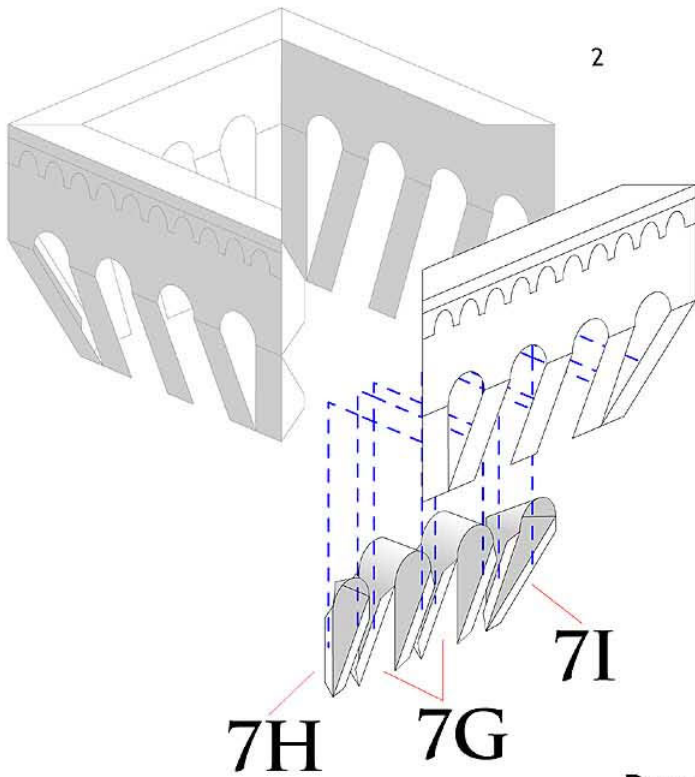
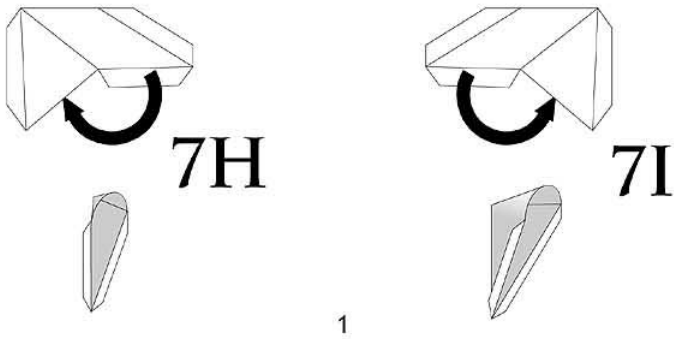
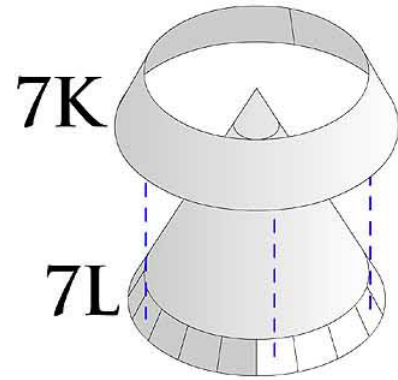
1. Glue piece 1I to the top of the castle entrance, printed side facing inward. Be sure to glue tabs and walls to the unprinted side.
2. Glue pieces 1J and 1M to the outside of piece 1I.



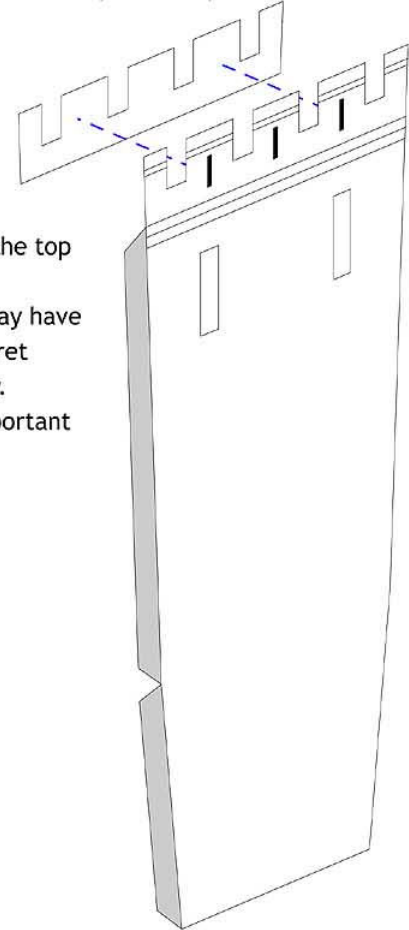




1. Glue pieces 7H and 7I to themselves as shown.
2. Glue pieces 7G-I to the inside of pieces 7E.



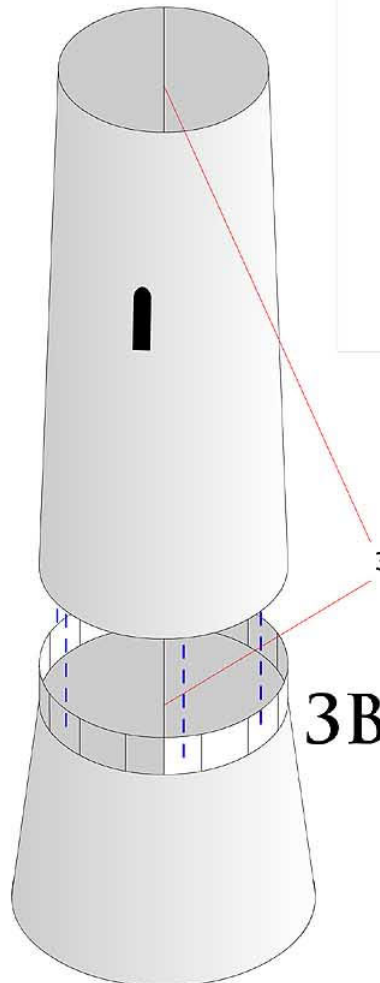
5B, 5D, 5F, 5H



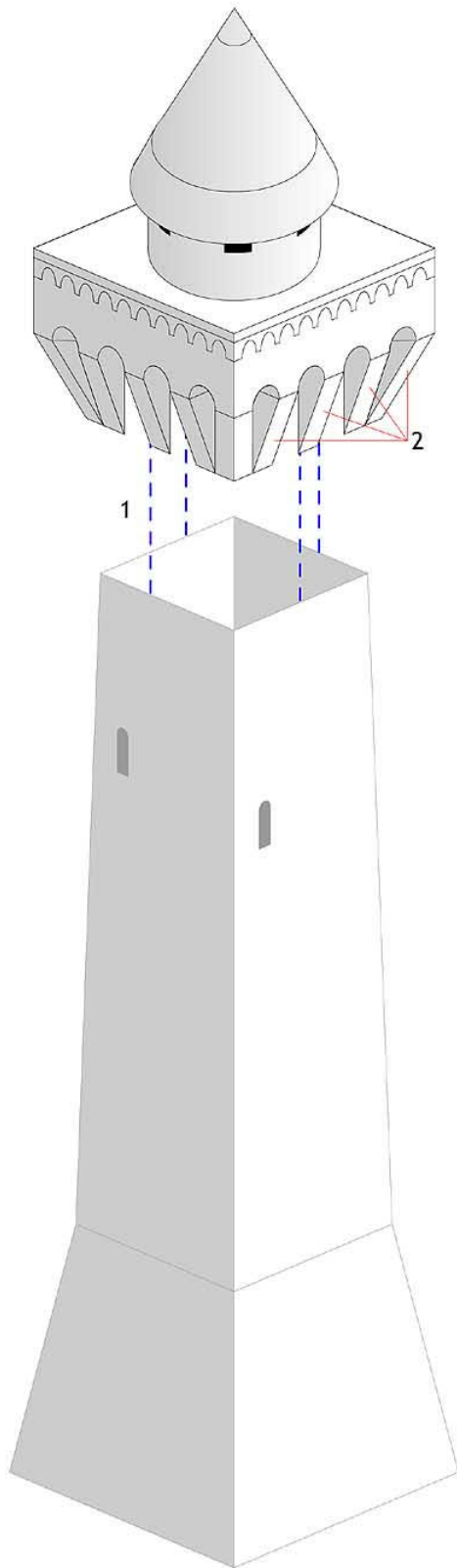
1. Glue the turret assembly over the top of the base assembly.
2. After the glue has dried, you may have to glue the "fingers" of the turret assembly to the base assembly.
3. For pieces 18A and 18B, it's important to line up the seams.

5A, 5C, 5E, 5G

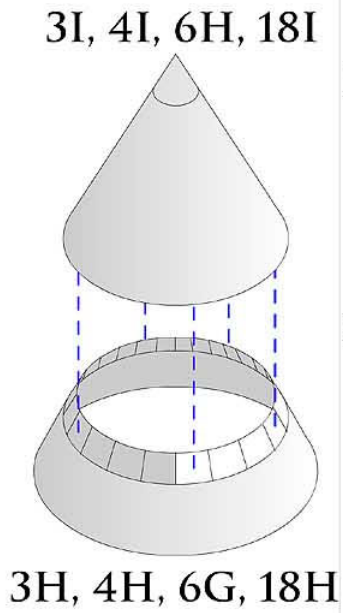
3A, 4A, 6A, 18A



3B, 4B, 6B, 18B



1. Glue pieces 3F, 4F, and 18F to the inside of pieces 3E, 4E, and 18E.
2. Glue the turret assembly over the top of the base assembly.
3. After the glue has dried, you may have to glue the "fingers" of the turret assembly to the base assembly.



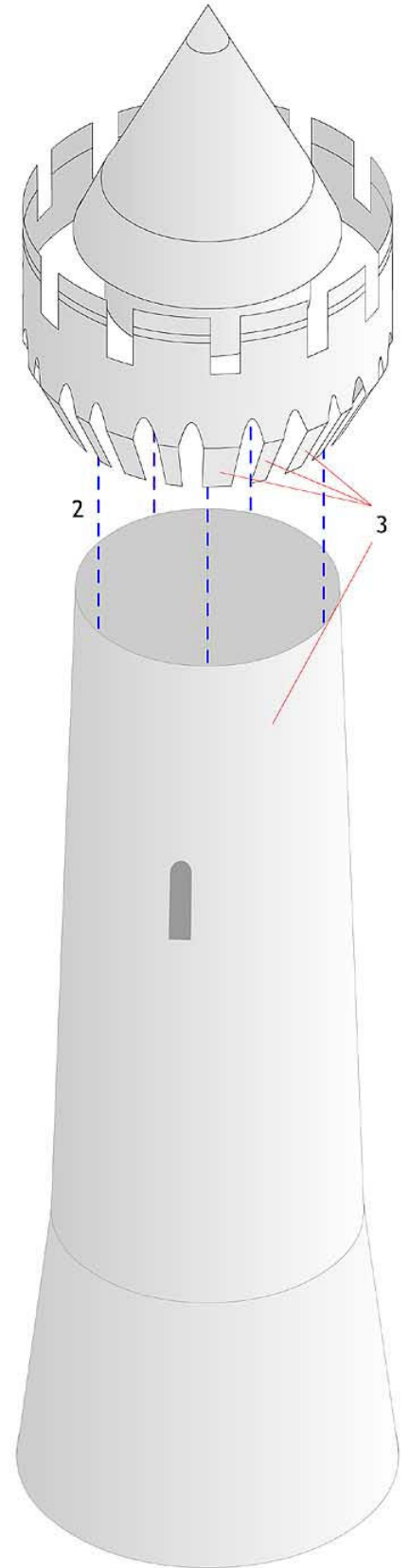
3G, 4G, 18G

3C, 4C, 18C

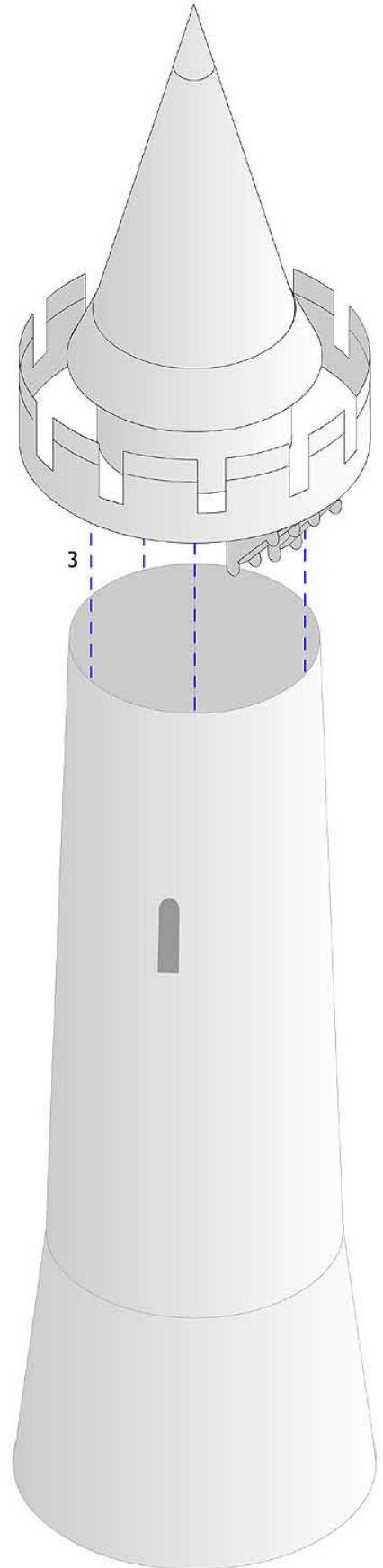
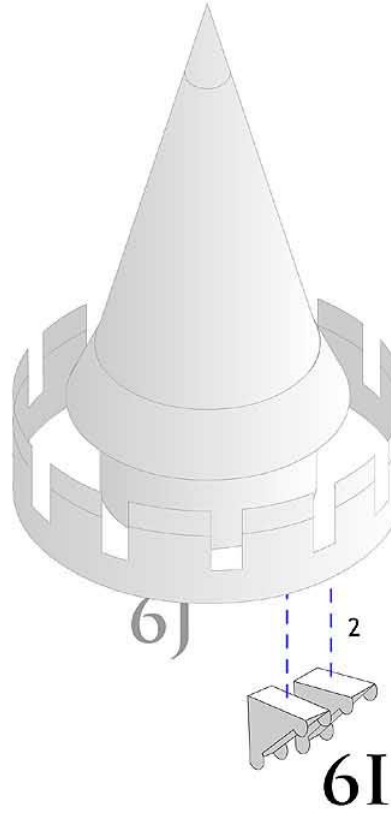
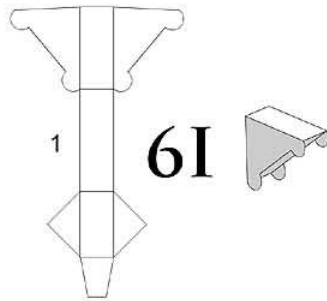
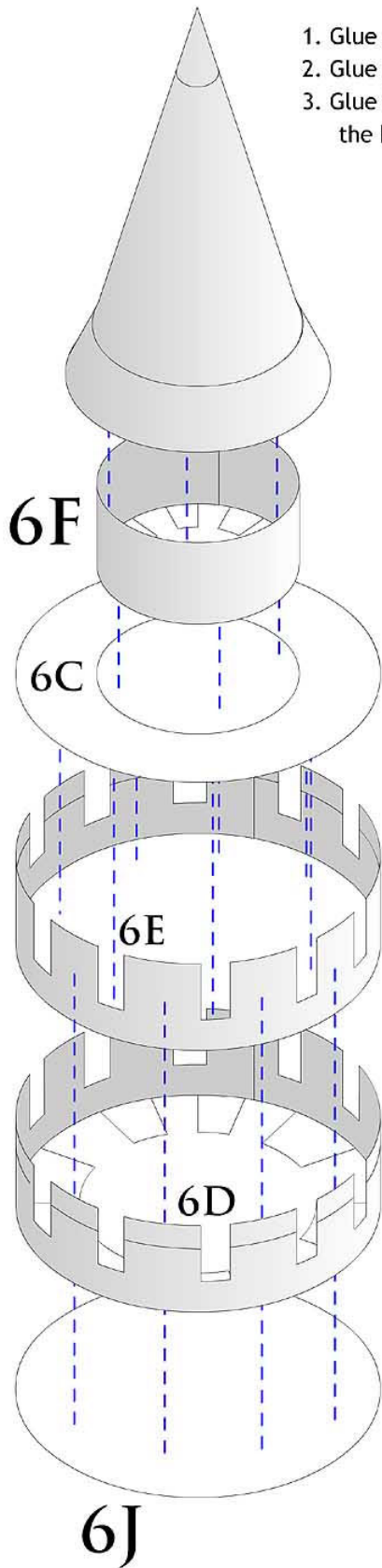
3D, 4D, 18D

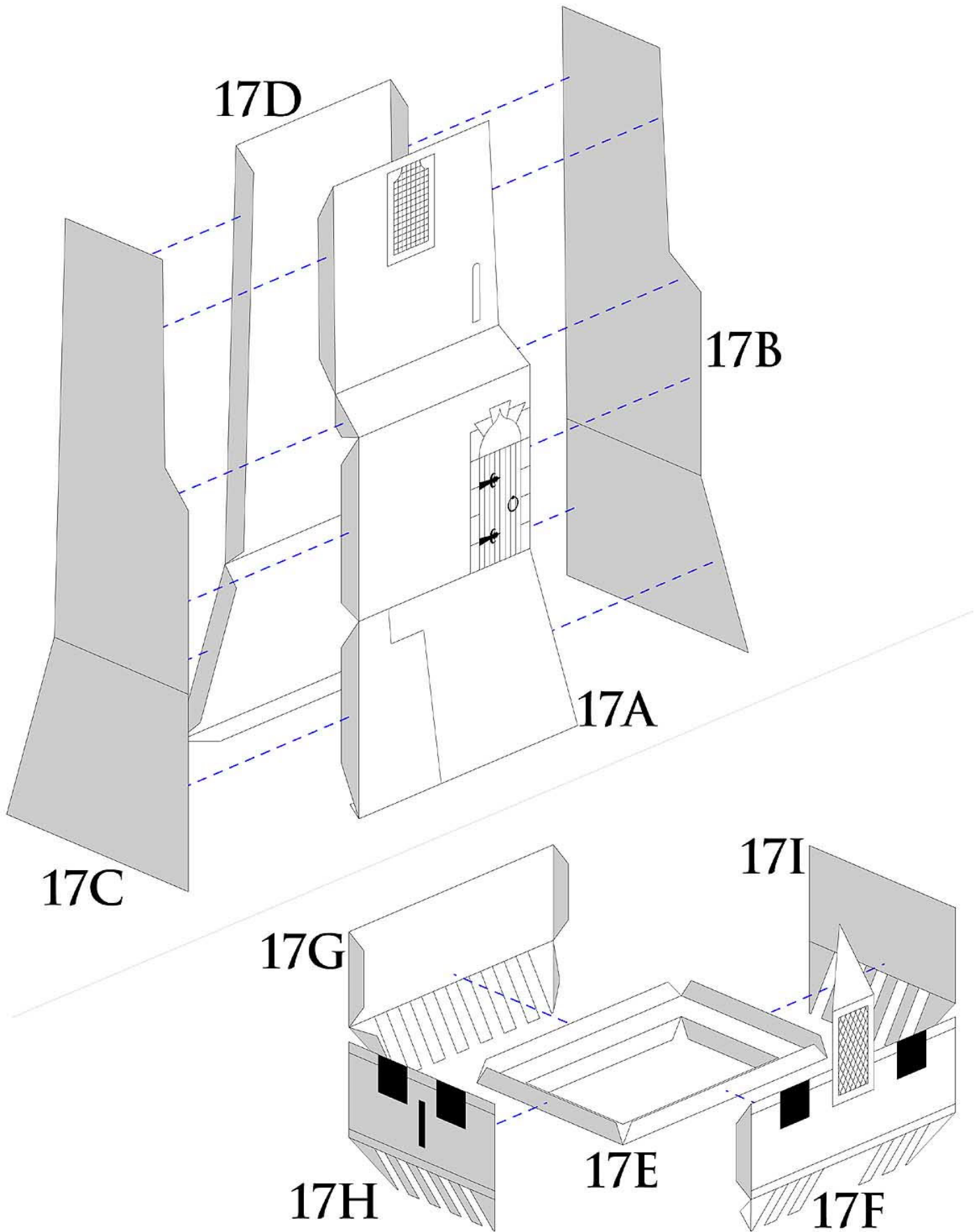
3E, 4E, 18E

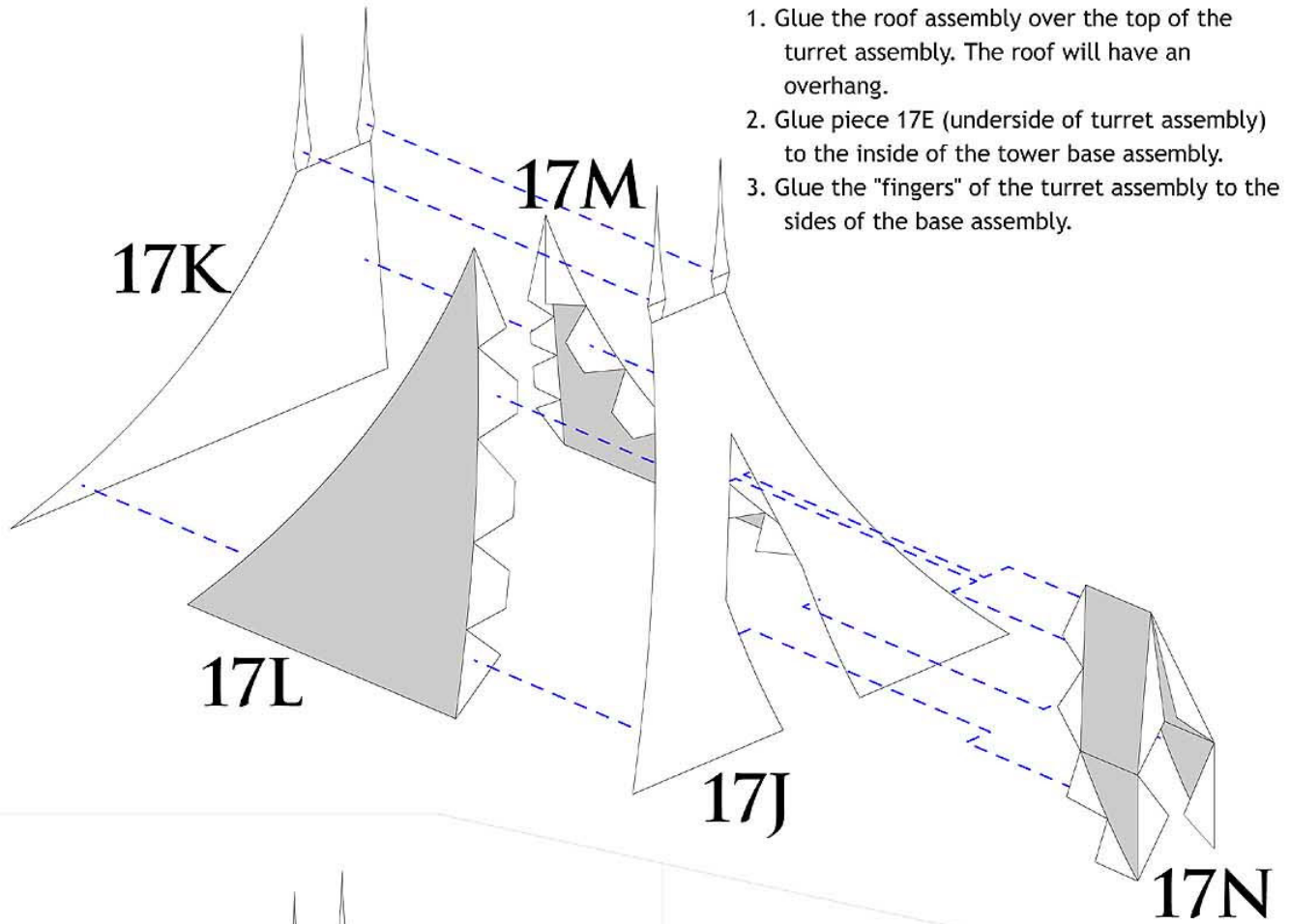
3F, 4F, 18F



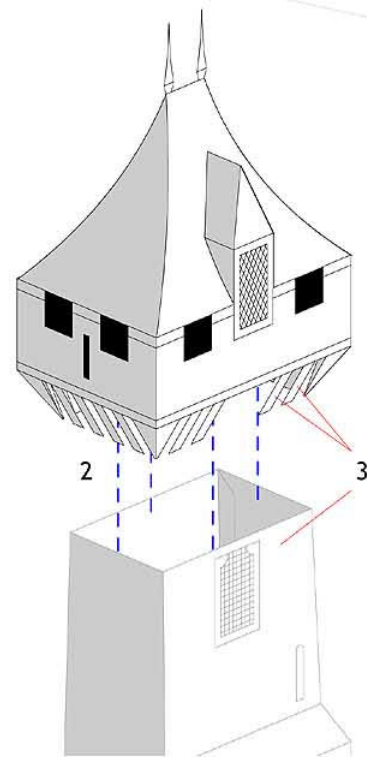
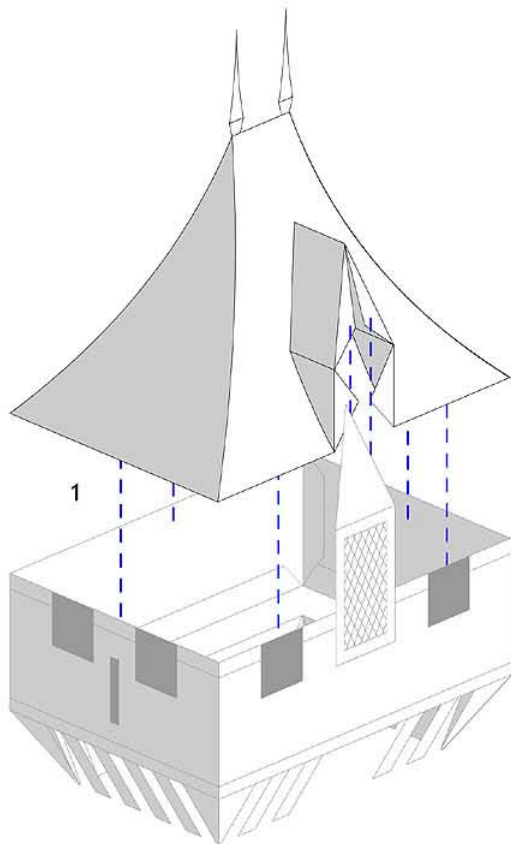
1. Glue pieces 6I to themselves as shown.
2. Glue pieces 6I to the underside of 6J.
3. Glue turret assembly to the top and sides of the base assembly.

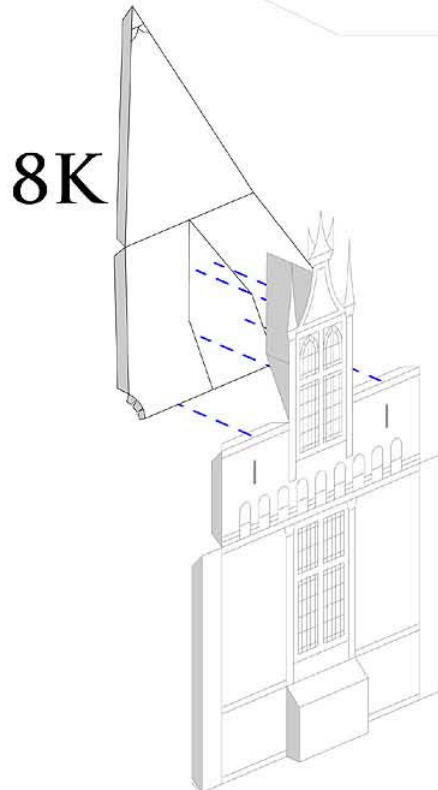
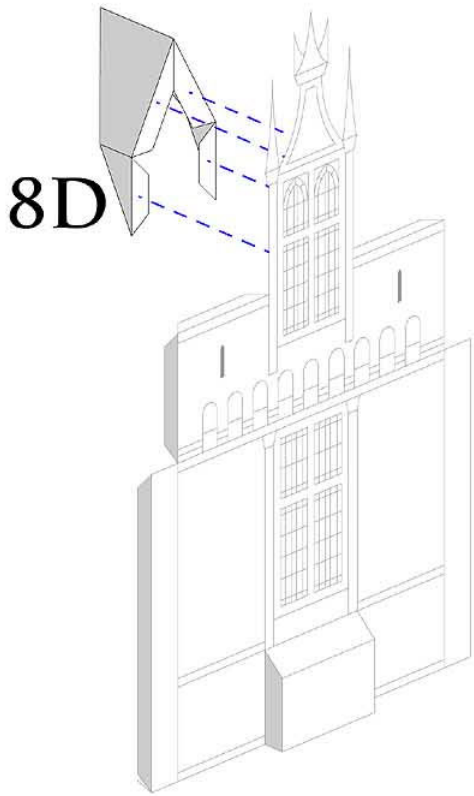
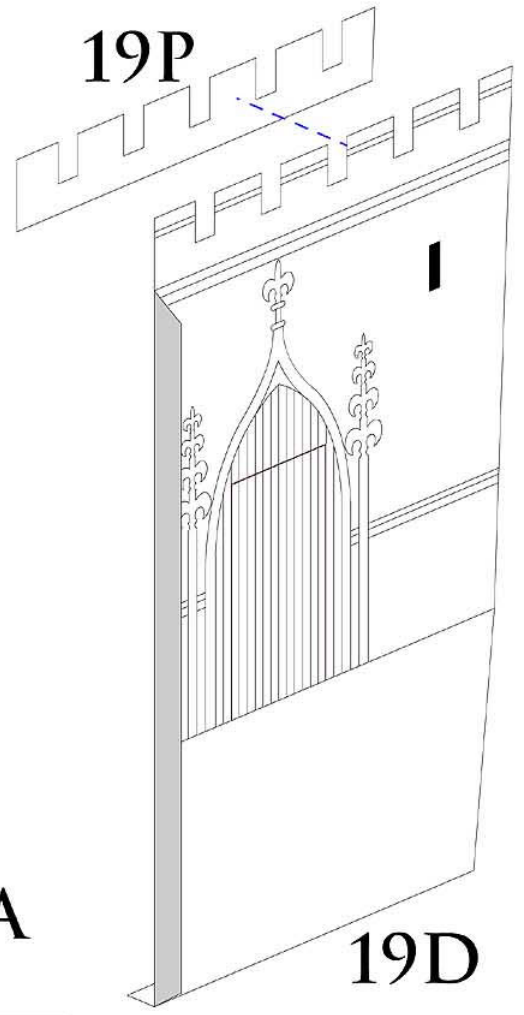
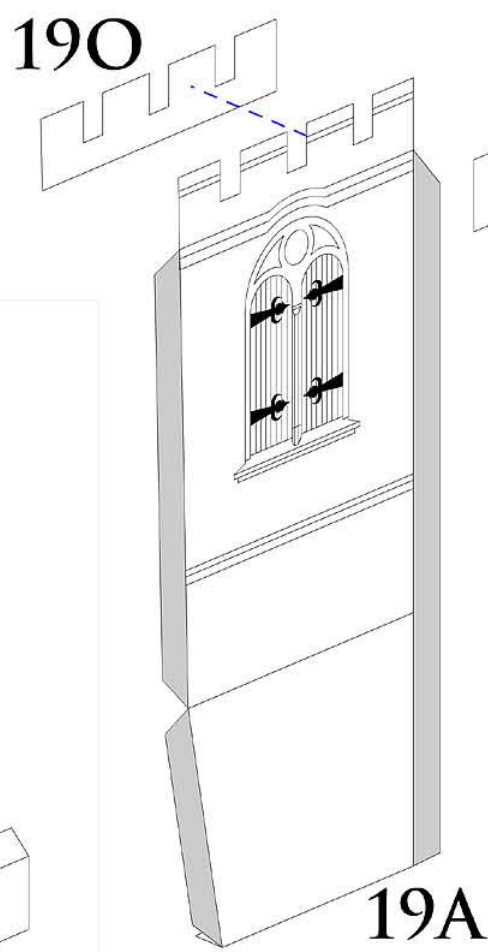
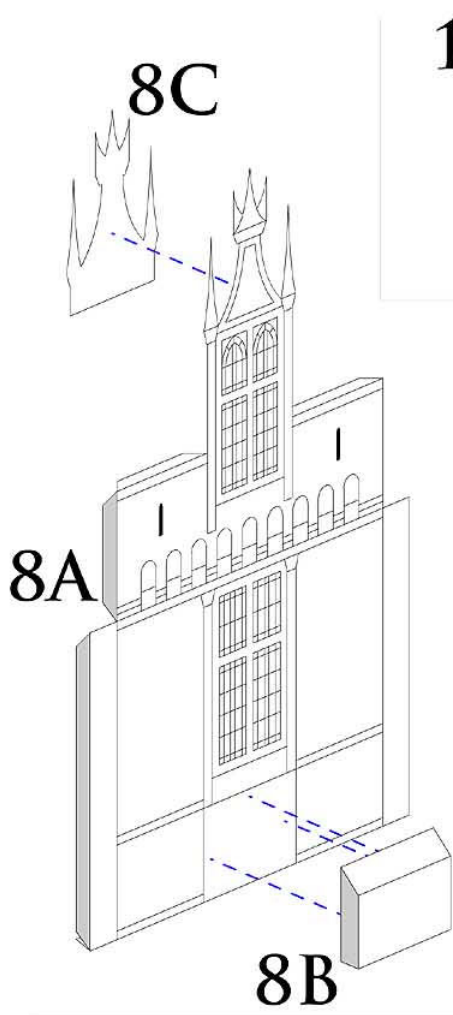


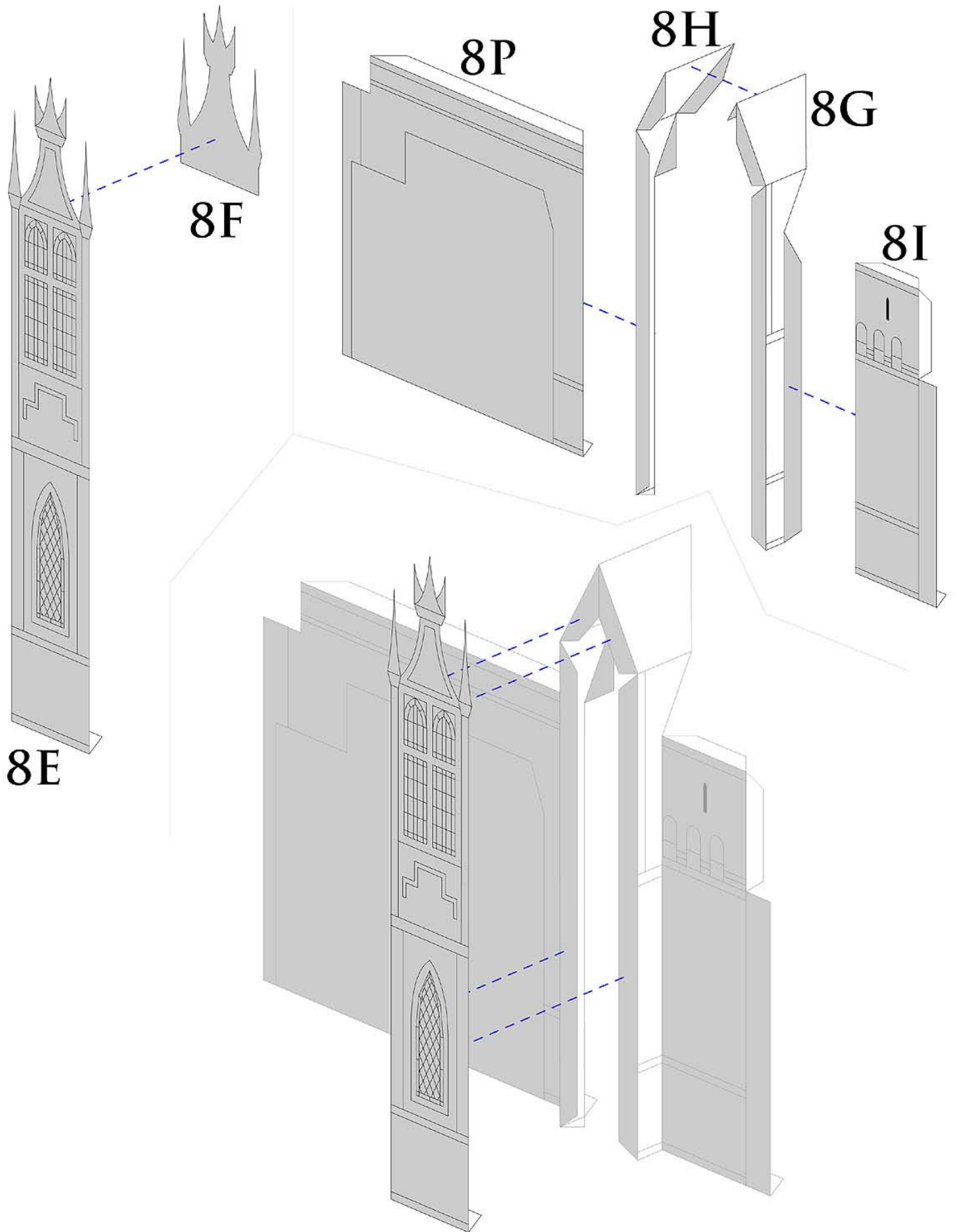


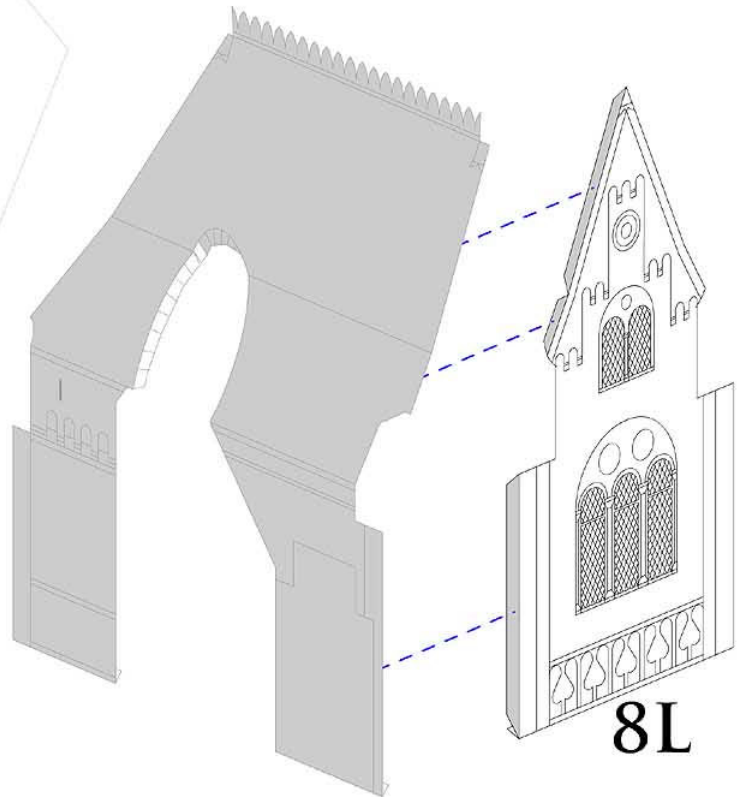
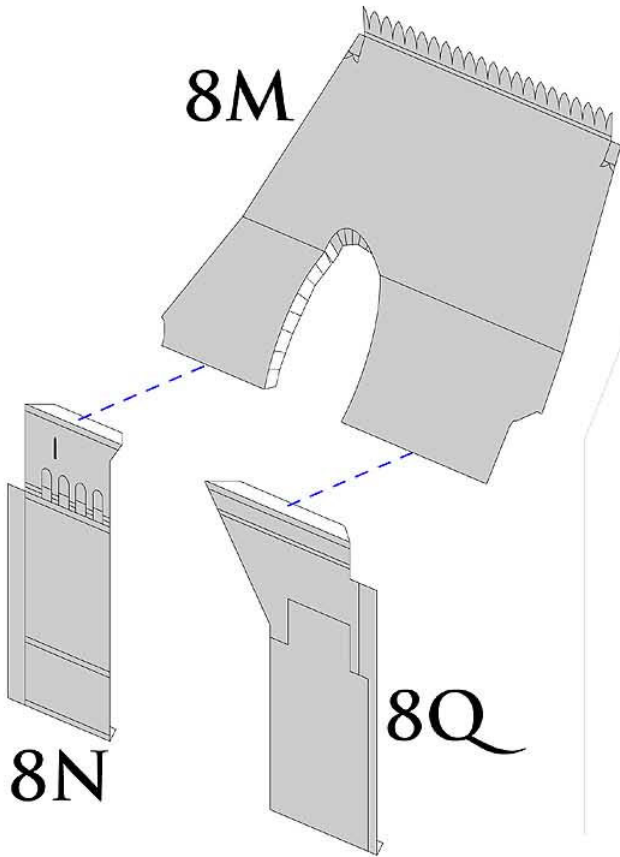
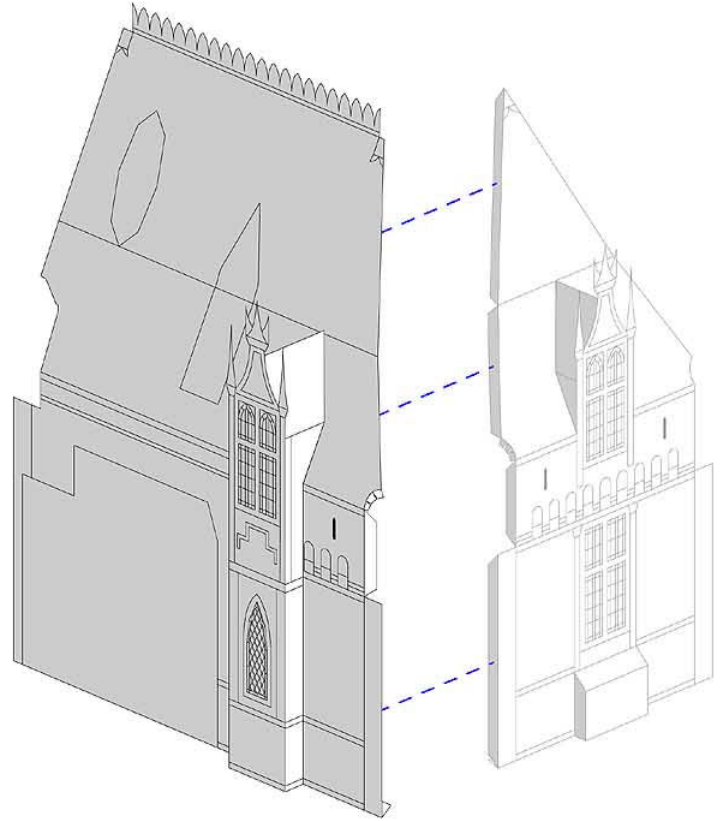
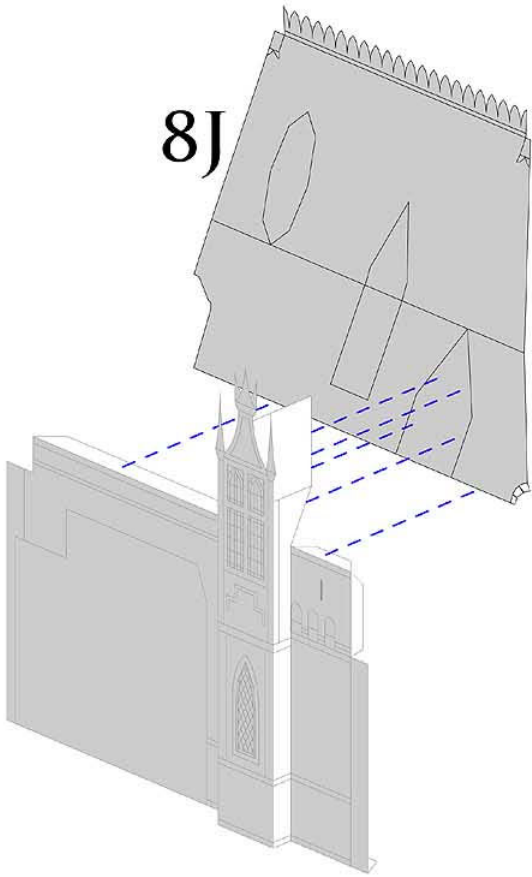


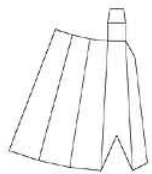
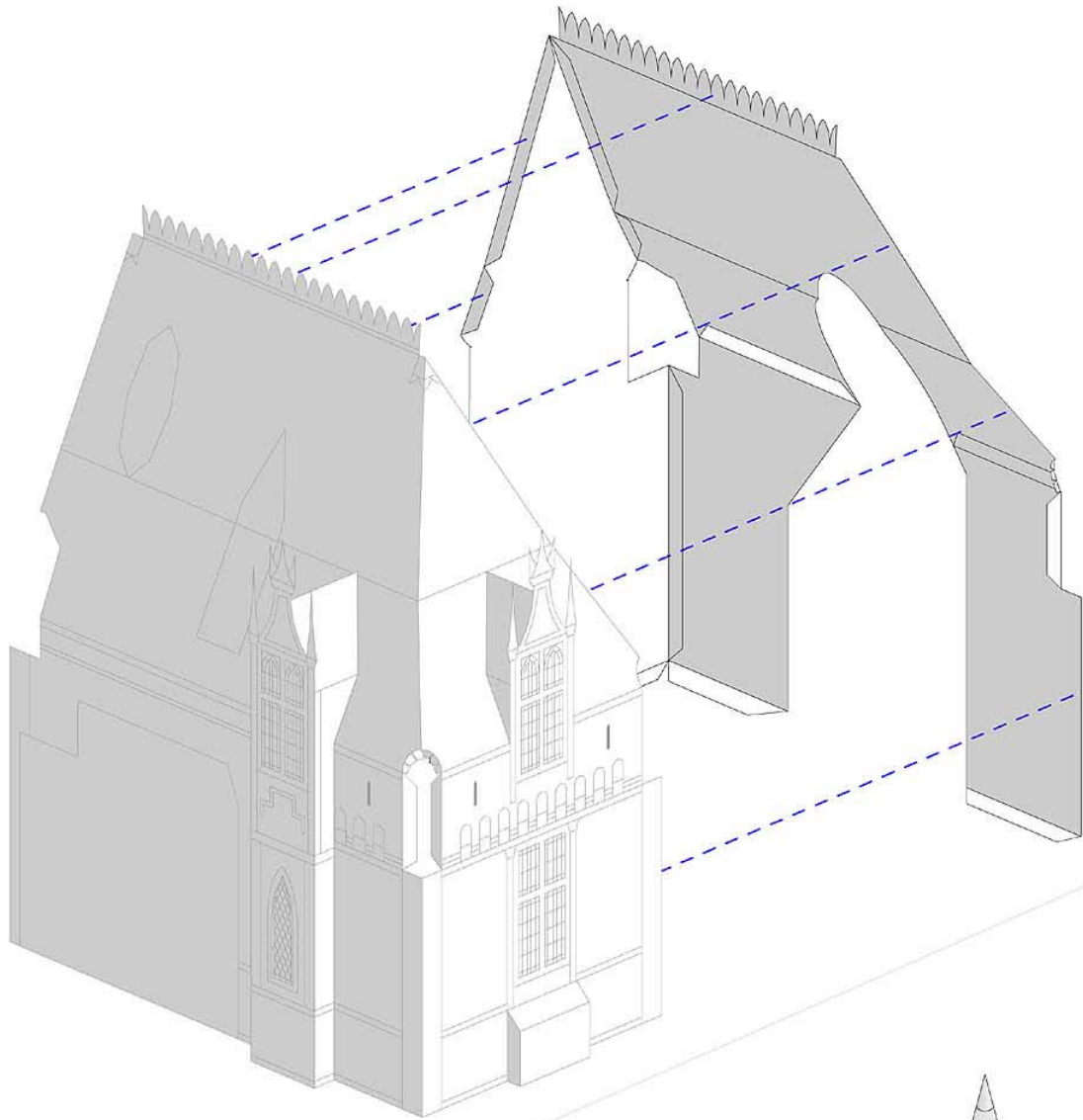
1. Glue the roof assembly over the top of the turret assembly. The roof will have an overhang.
2. Glue piece 17E (underside of turret assembly) to the inside of the tower base assembly.
3. Glue the "fingers" of the turret assembly to the sides of the base assembly.











1



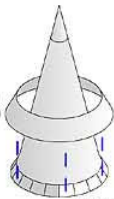
80



8R

1. Glue pieces 80 and 8R to themselves as shown.

10B



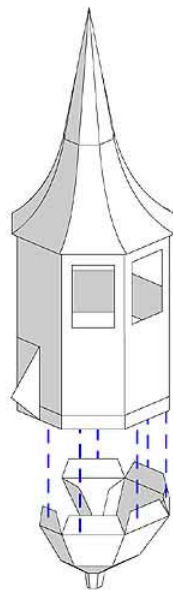
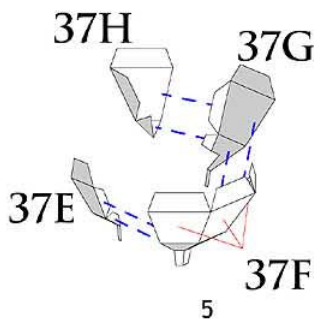
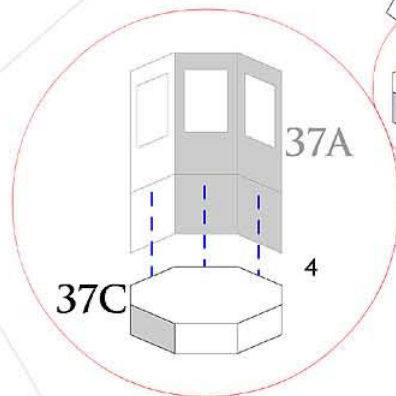
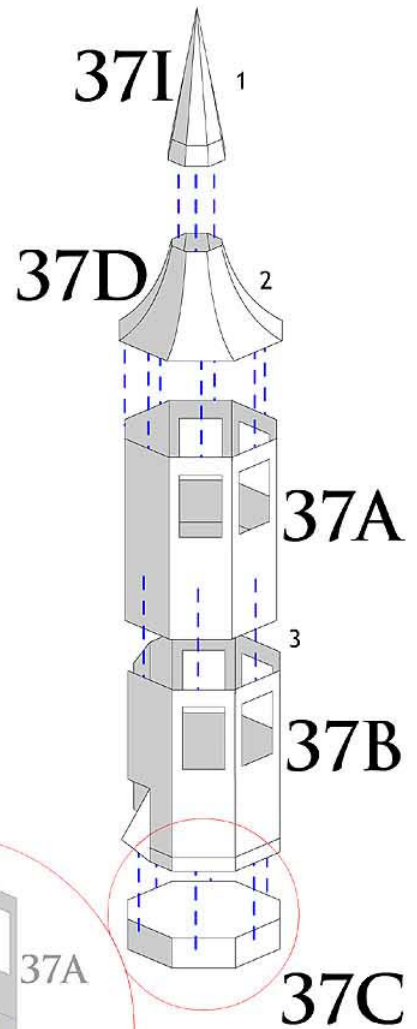
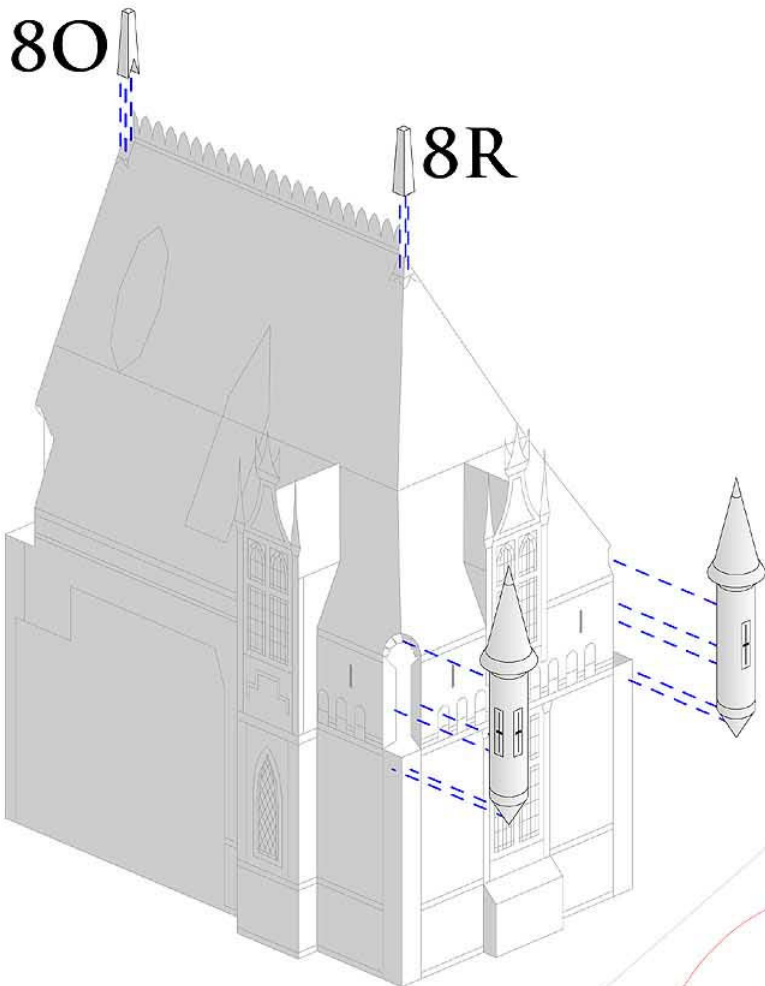
10C



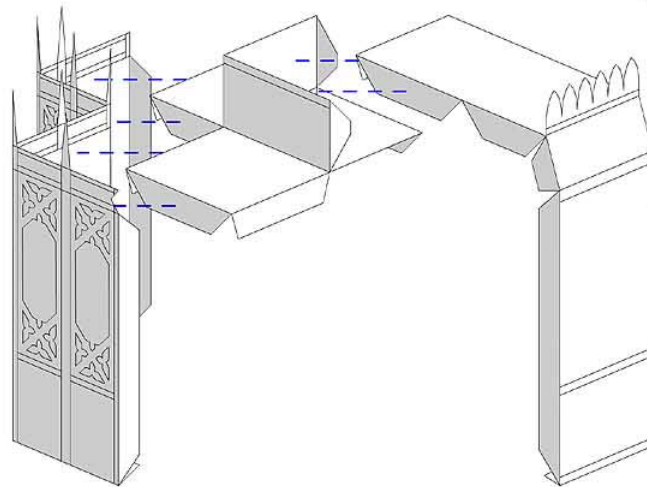
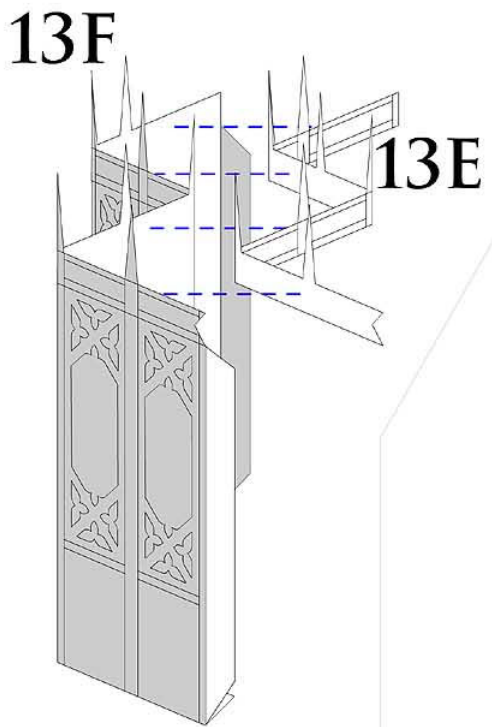
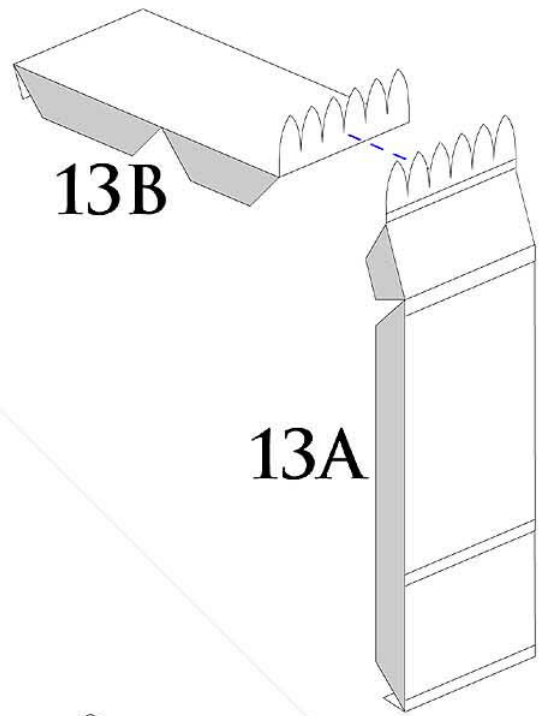
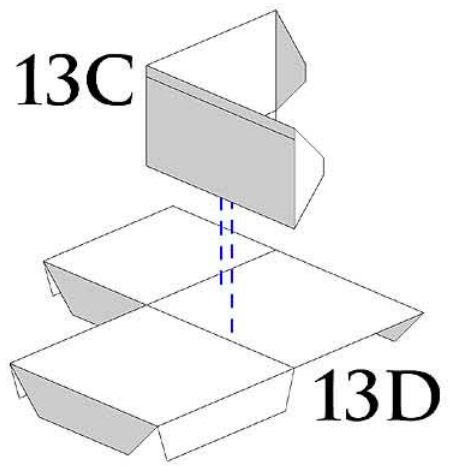
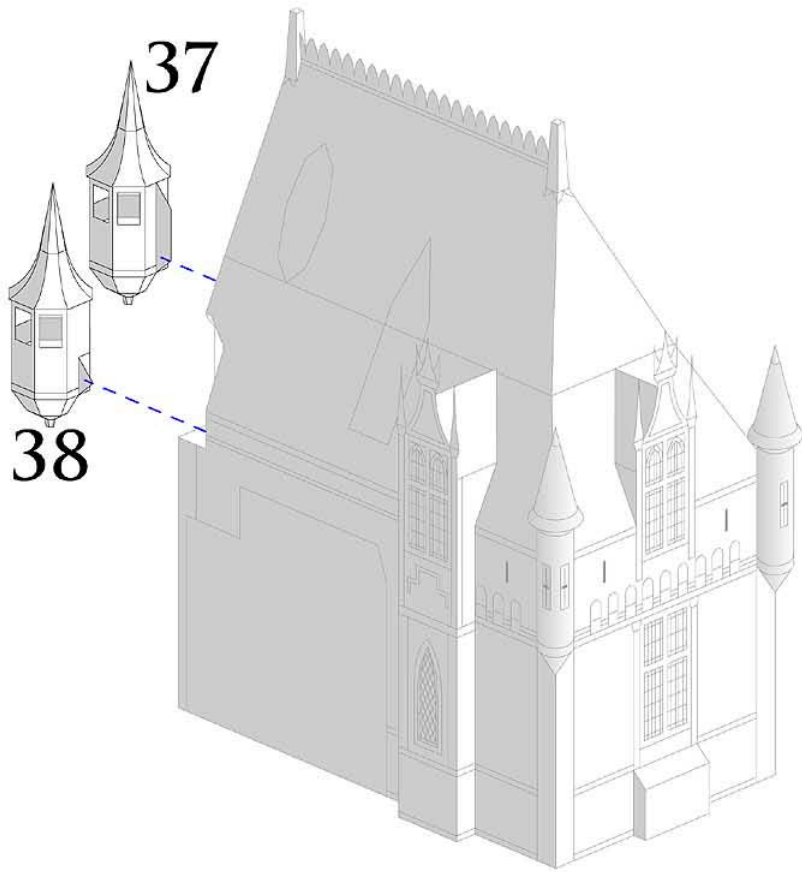
10A

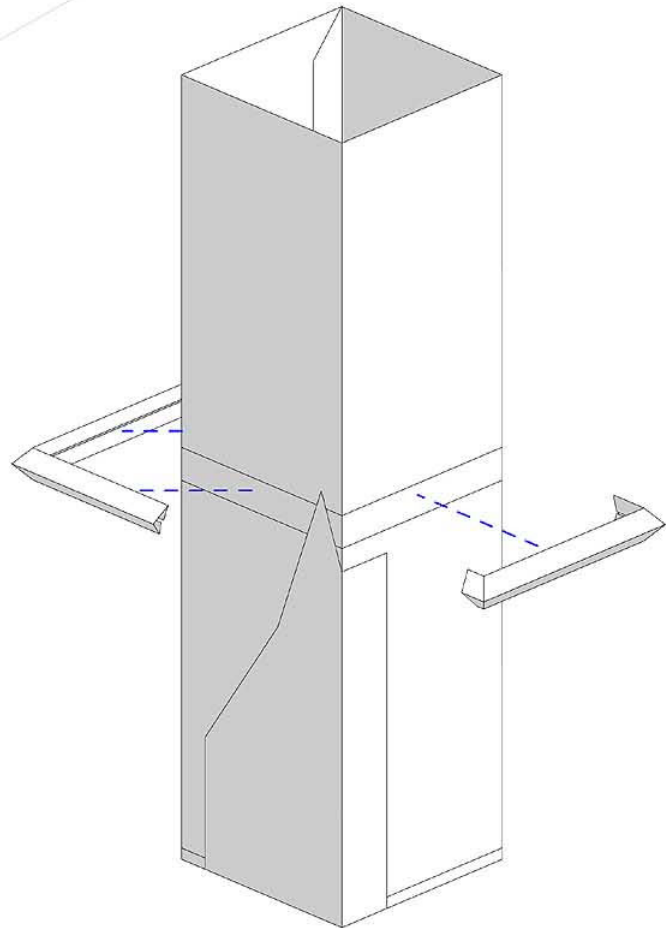
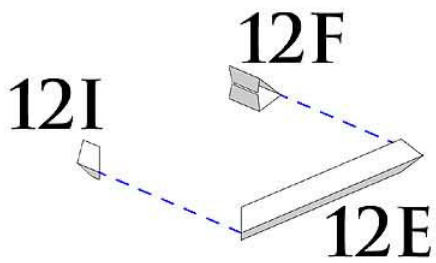
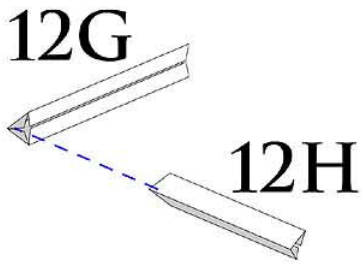
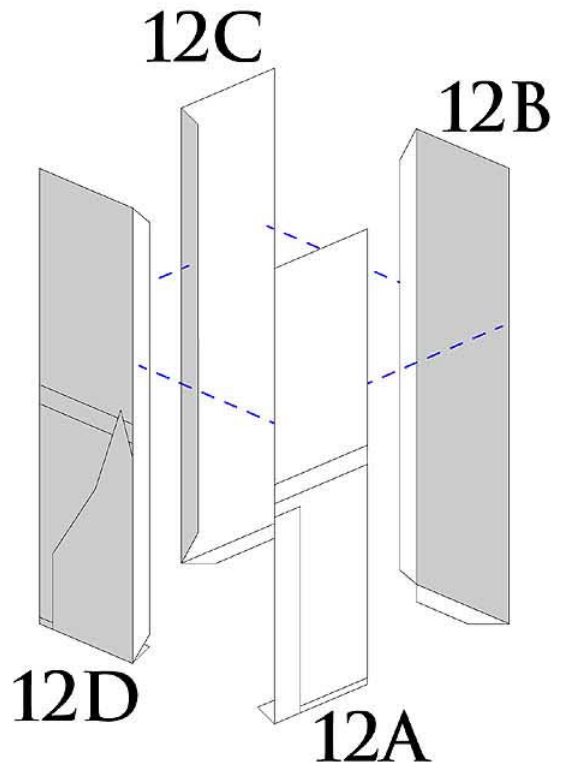
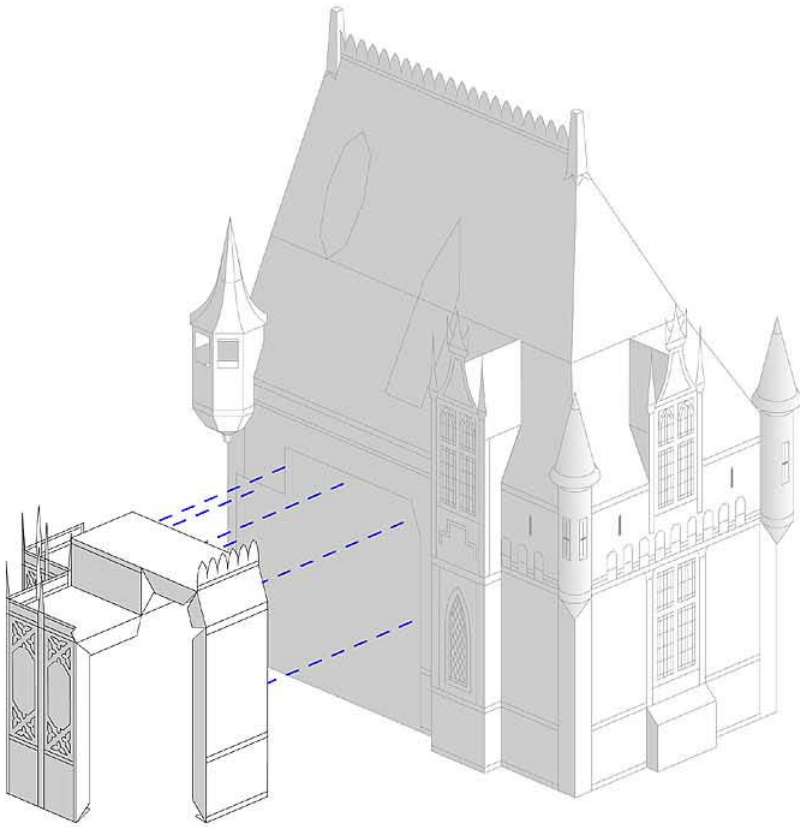


10D

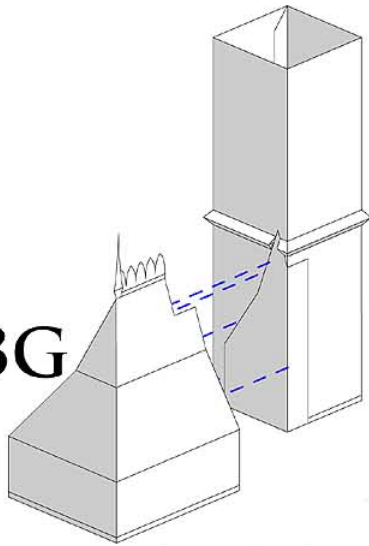


1. Glue piece 37I to itself as shown.
2. Glue pieces 37D to themselves as shown.
3. Glue piece 37B to the outside of 37A.
4. Glue piece 37C to the inside of piece 37A.
Make sure that it is glued at the top of the white area.
5. Glue pieces 37E-I to themselves as shown.
6. Repeat steps 1-4 for pieces 38A-H. The pieces are mirror copies, creating a mirror turret assembly.

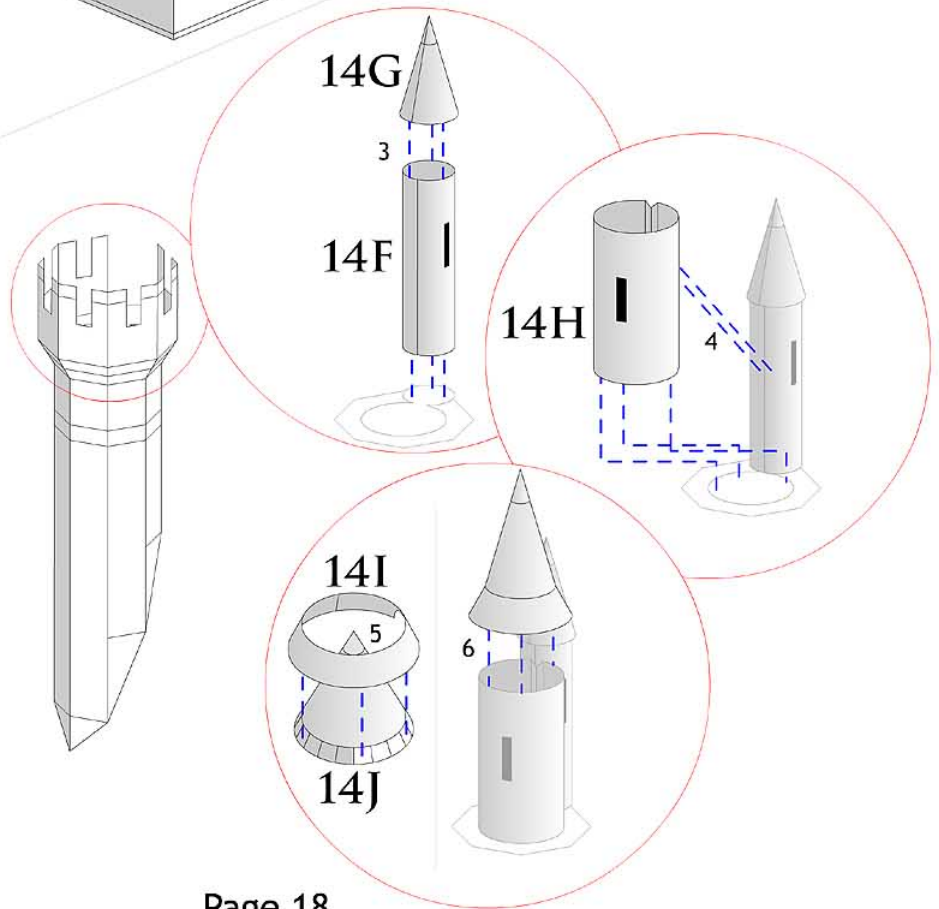
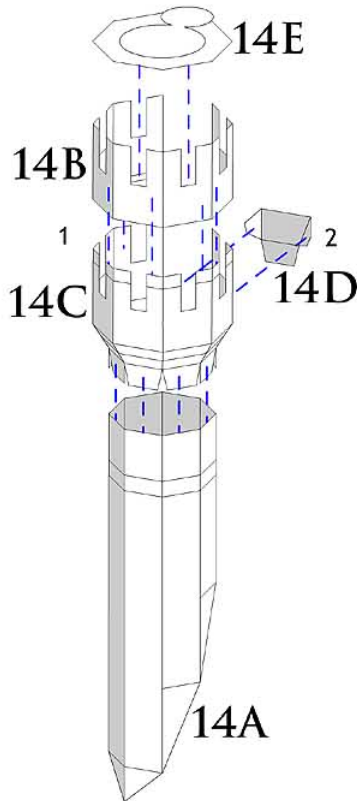
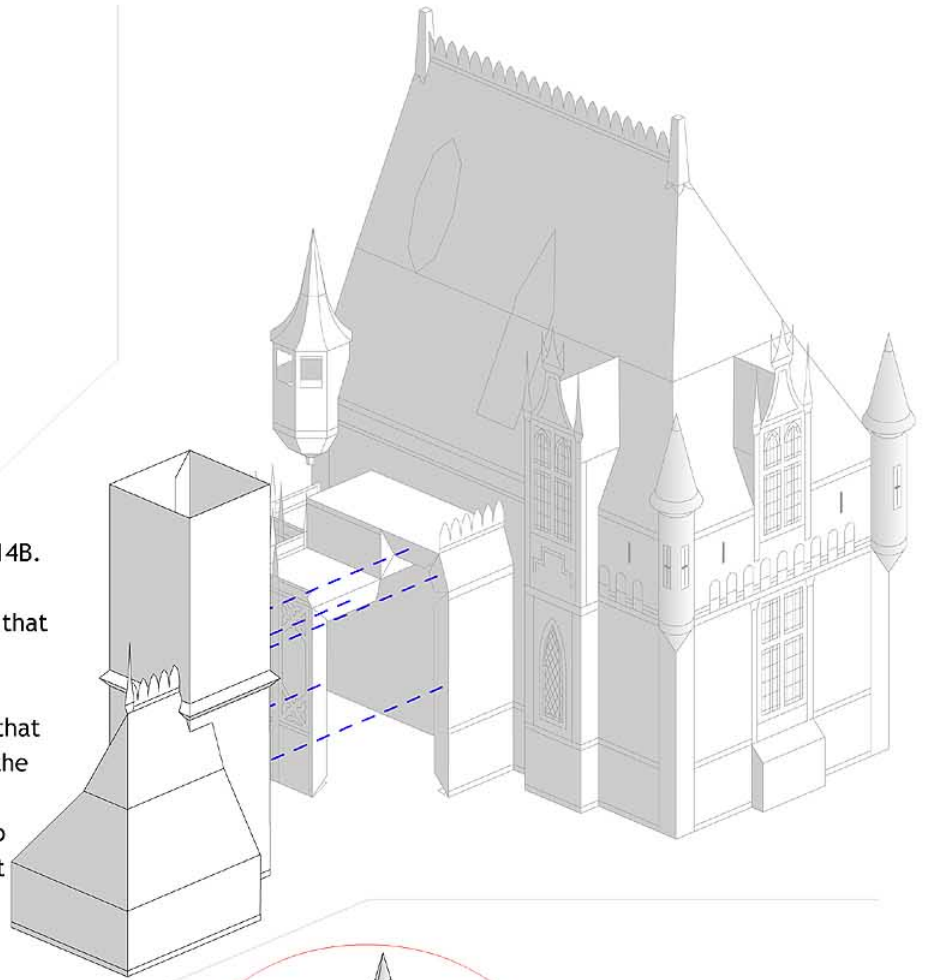


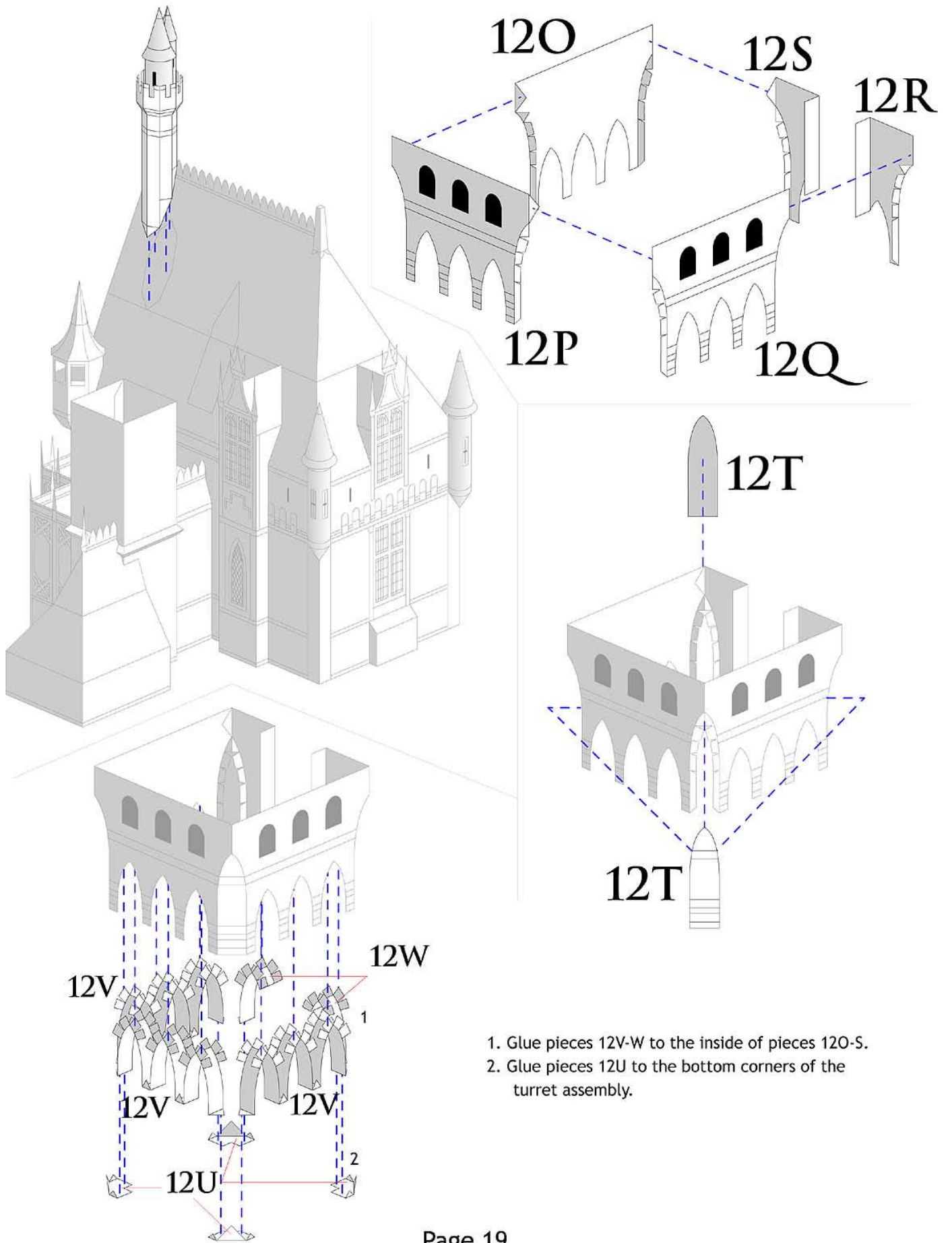


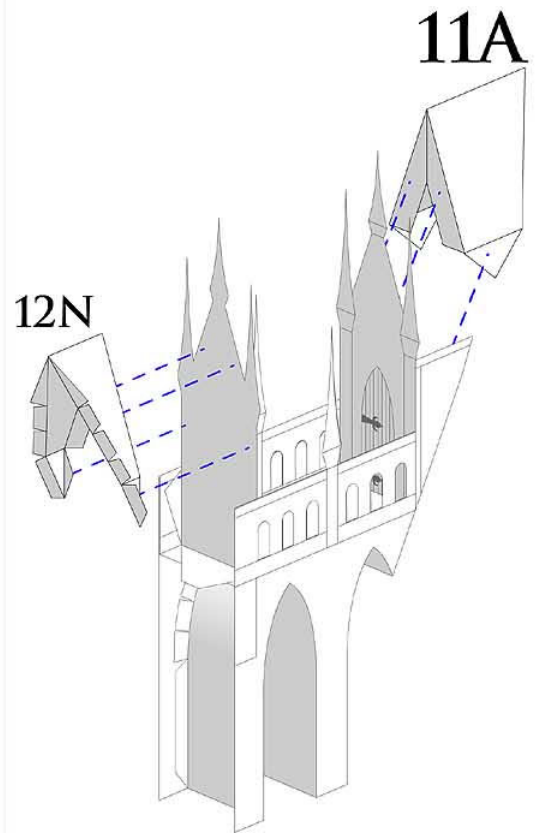
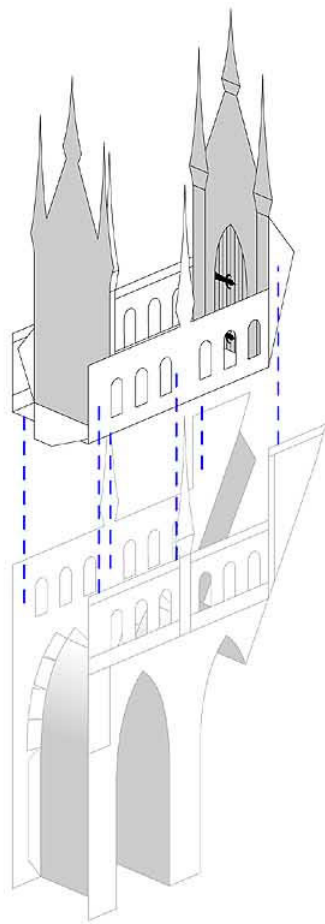
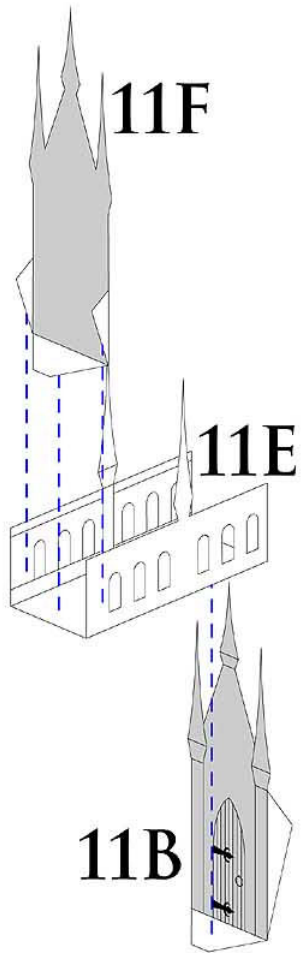
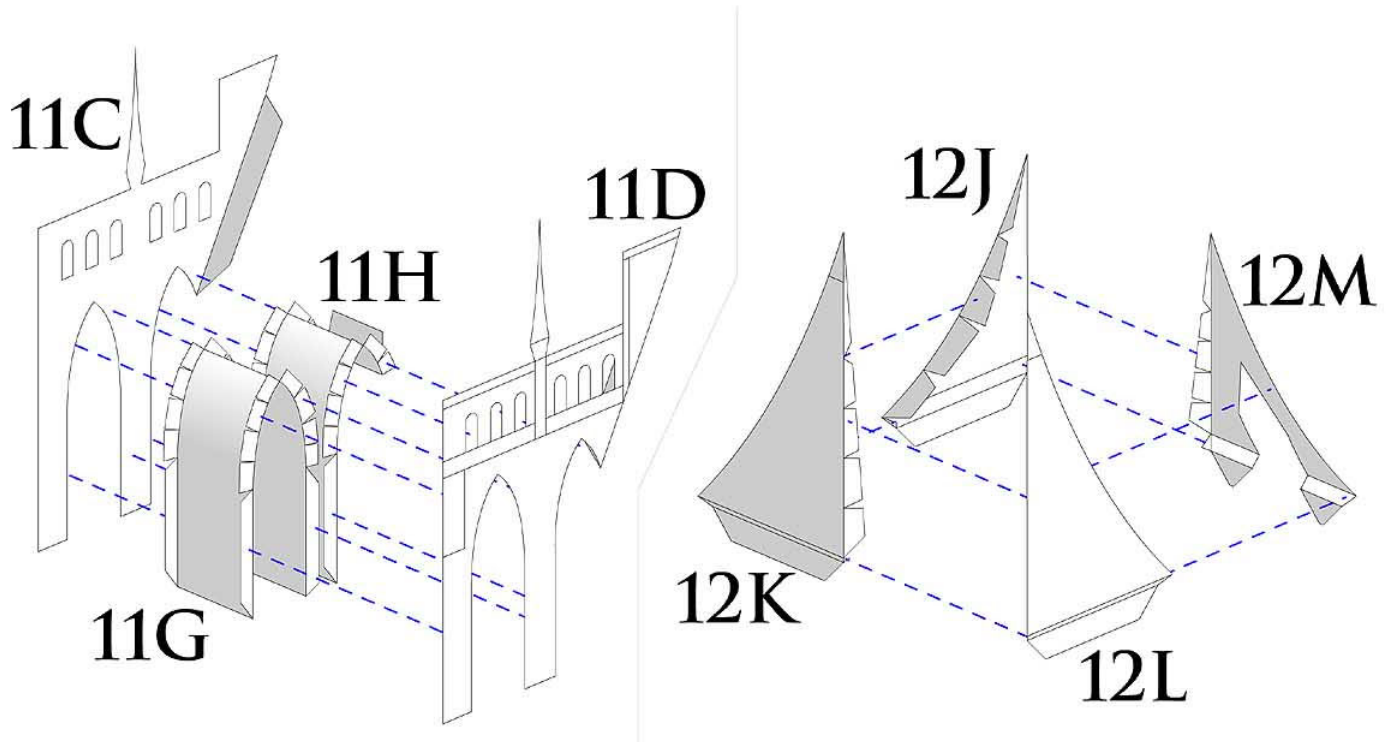
13G

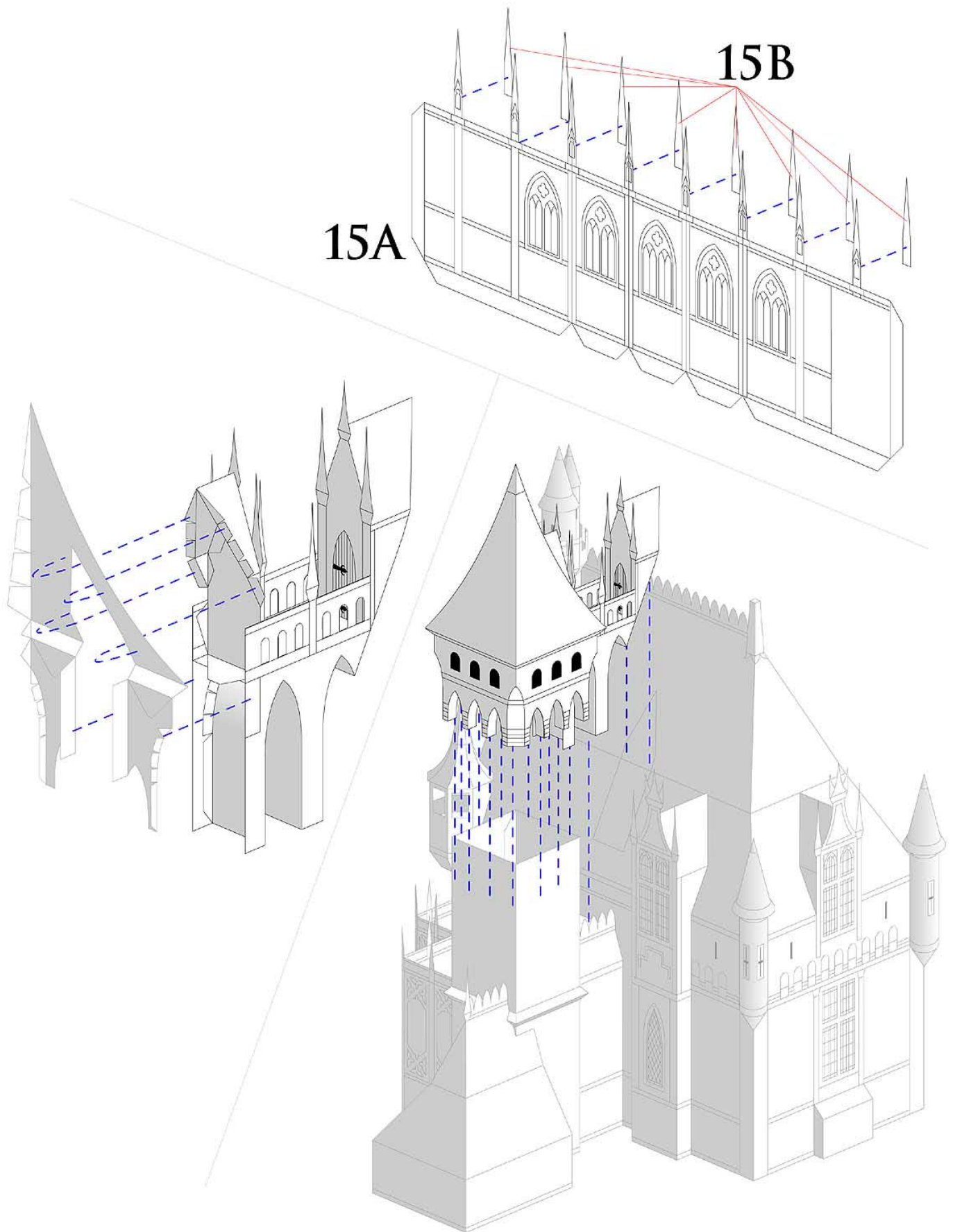


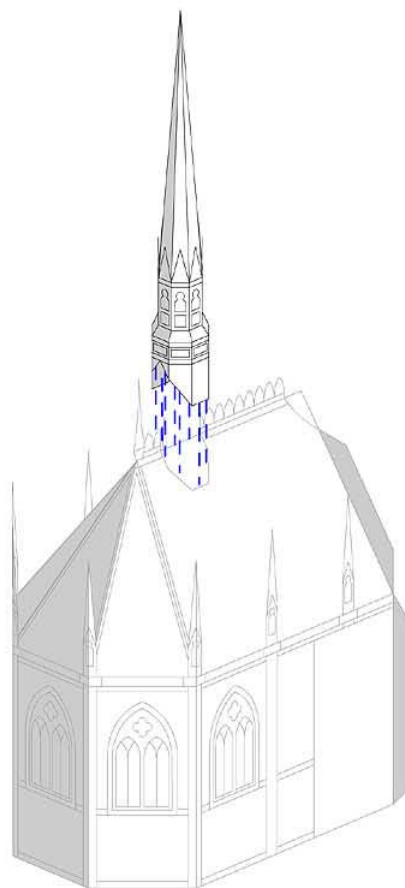
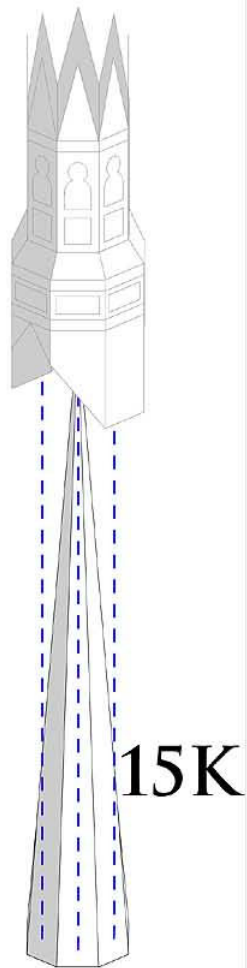
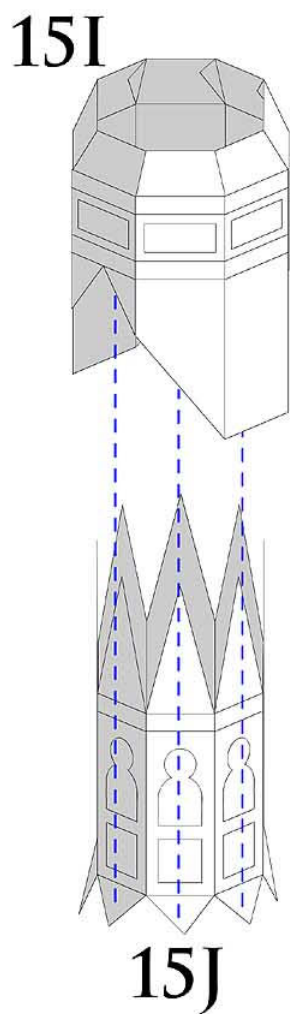
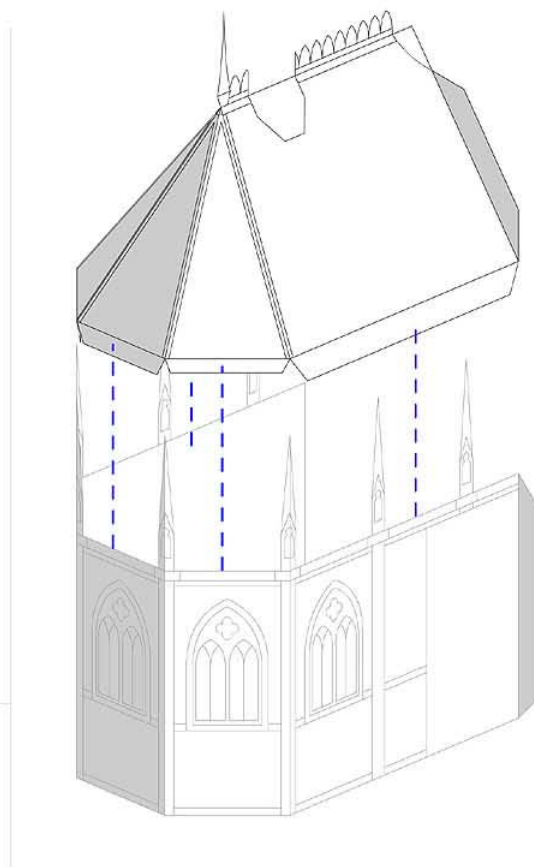
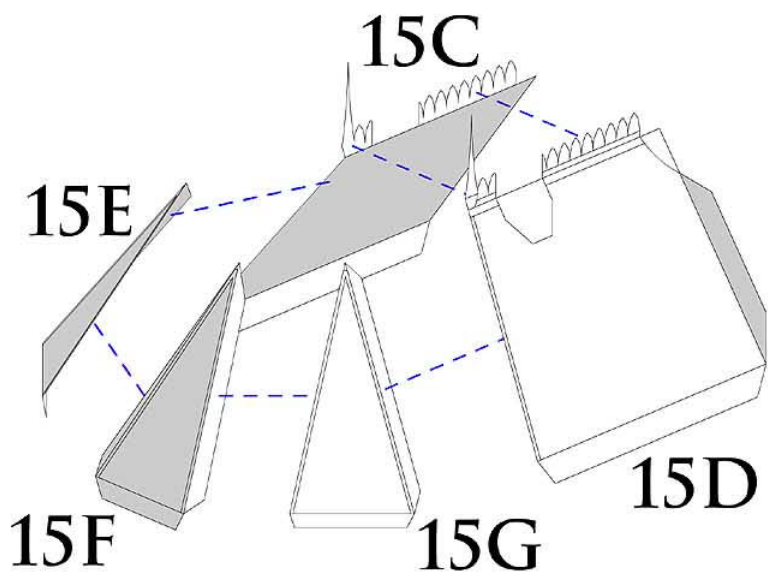
1. Glue piece 14C to the outside of piece 14B.
2. Glue piece 14D to piece 14C.
3. Glue piece 14F to piece 14E. Make sure that the seam of 14F faces inward.
4. Glue piece 14H to pieces 14E and 14F.
5. Glue piece 14J to piece 14I. Make sure that the missing tab on 14J is aligned with the notch on 14I.
6. Glue the turret roof assembly to the top of piece 14H. The smaller turret will fit snugly inside the notch.

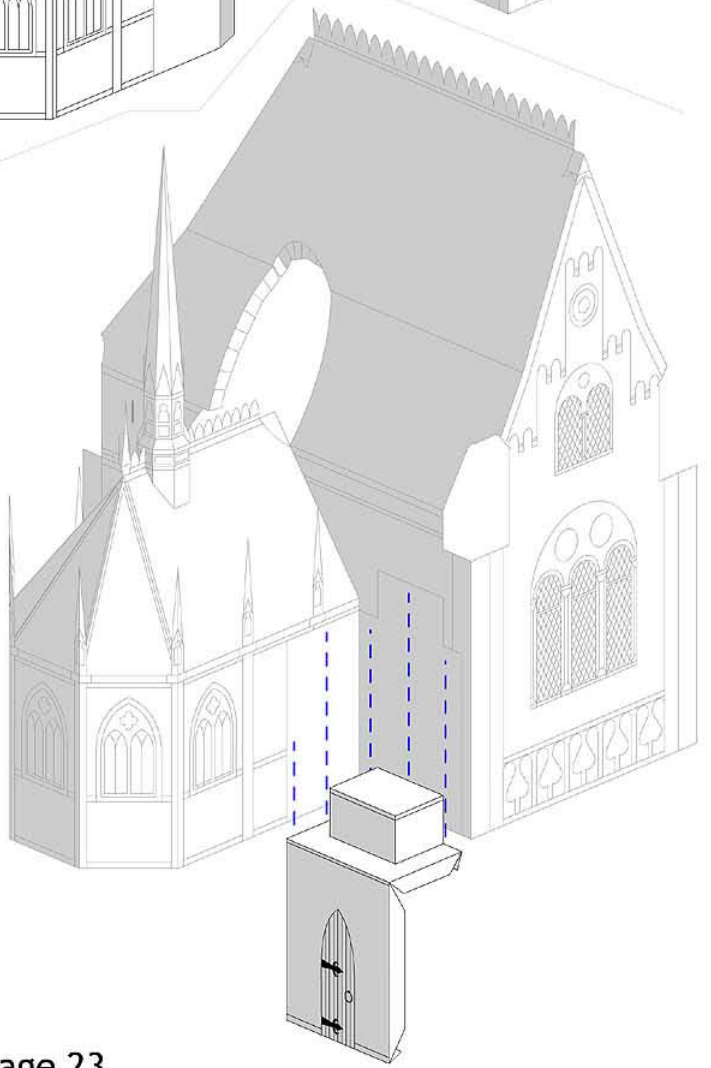
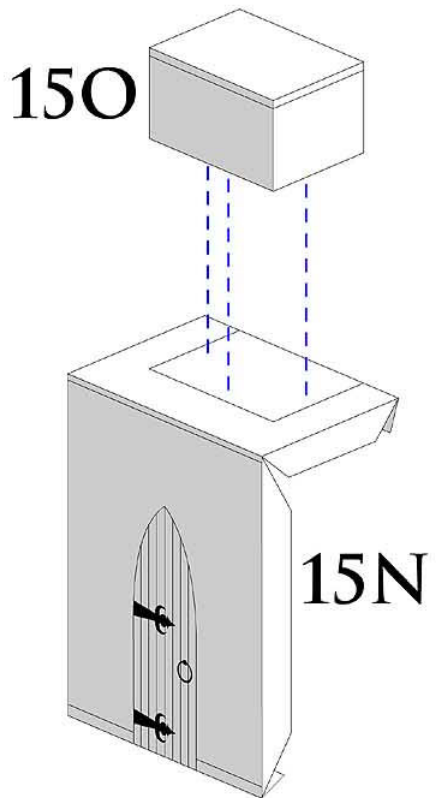
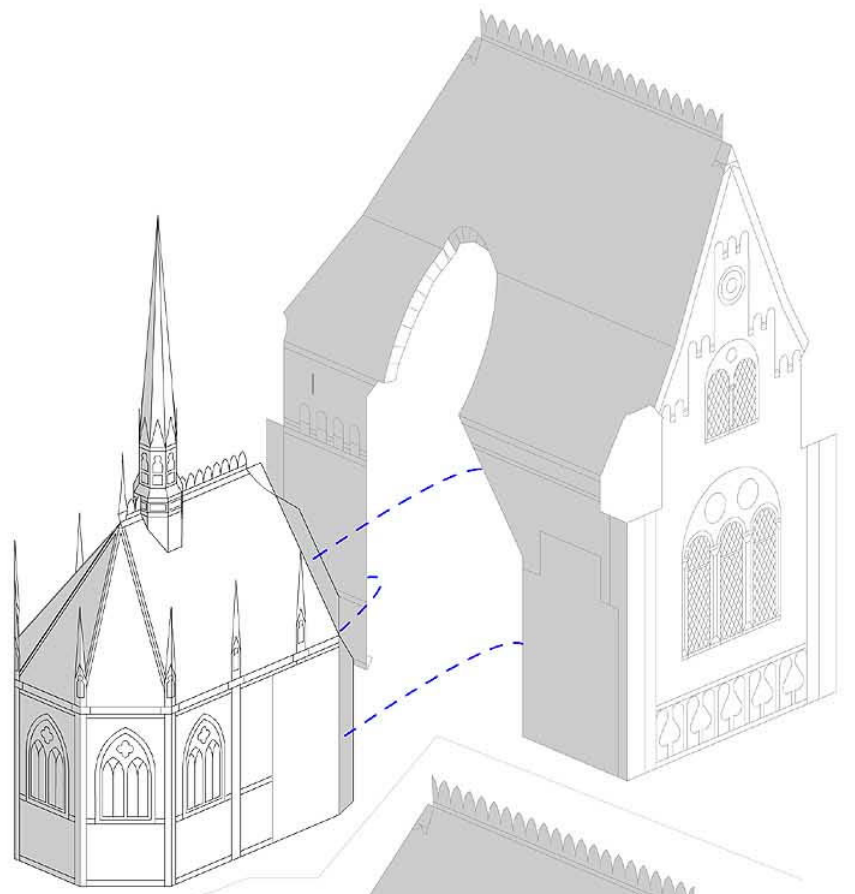
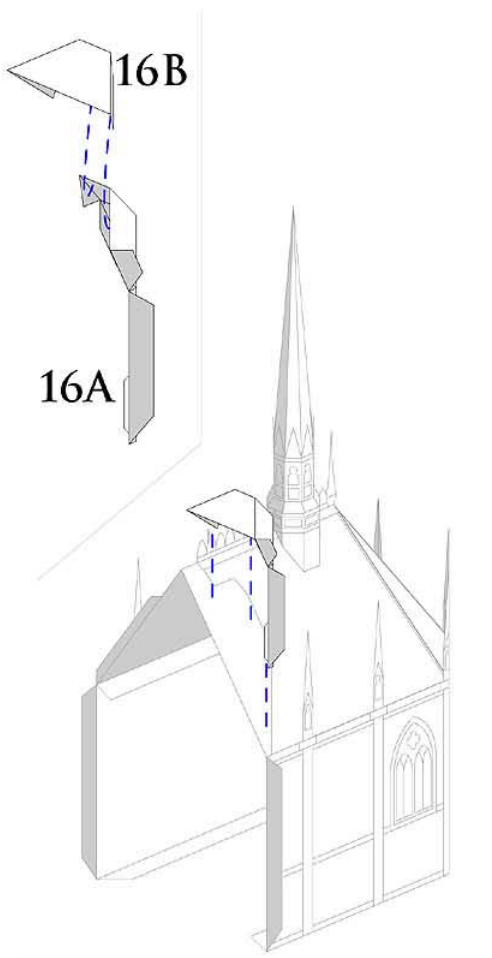




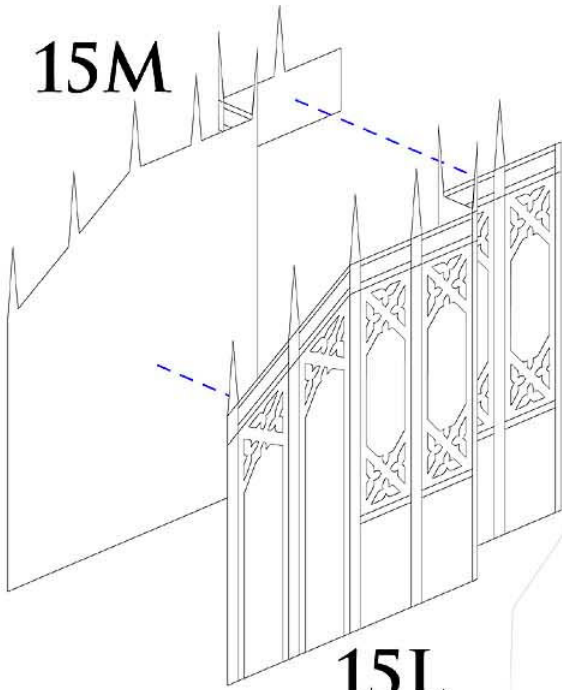




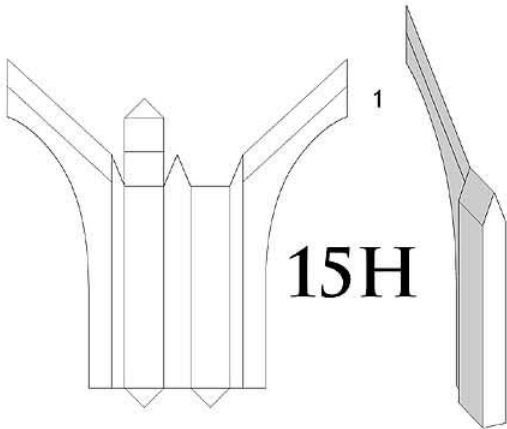




15M

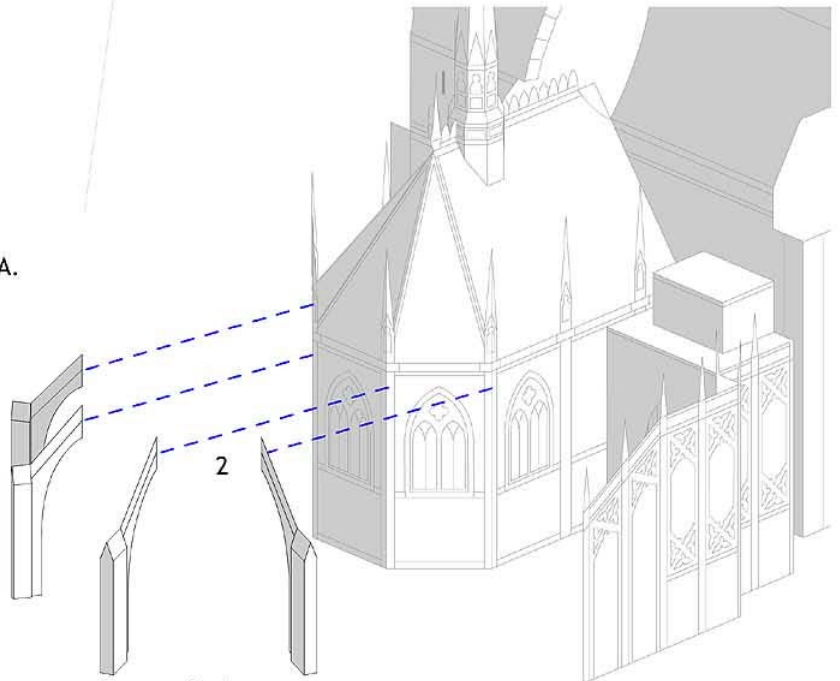


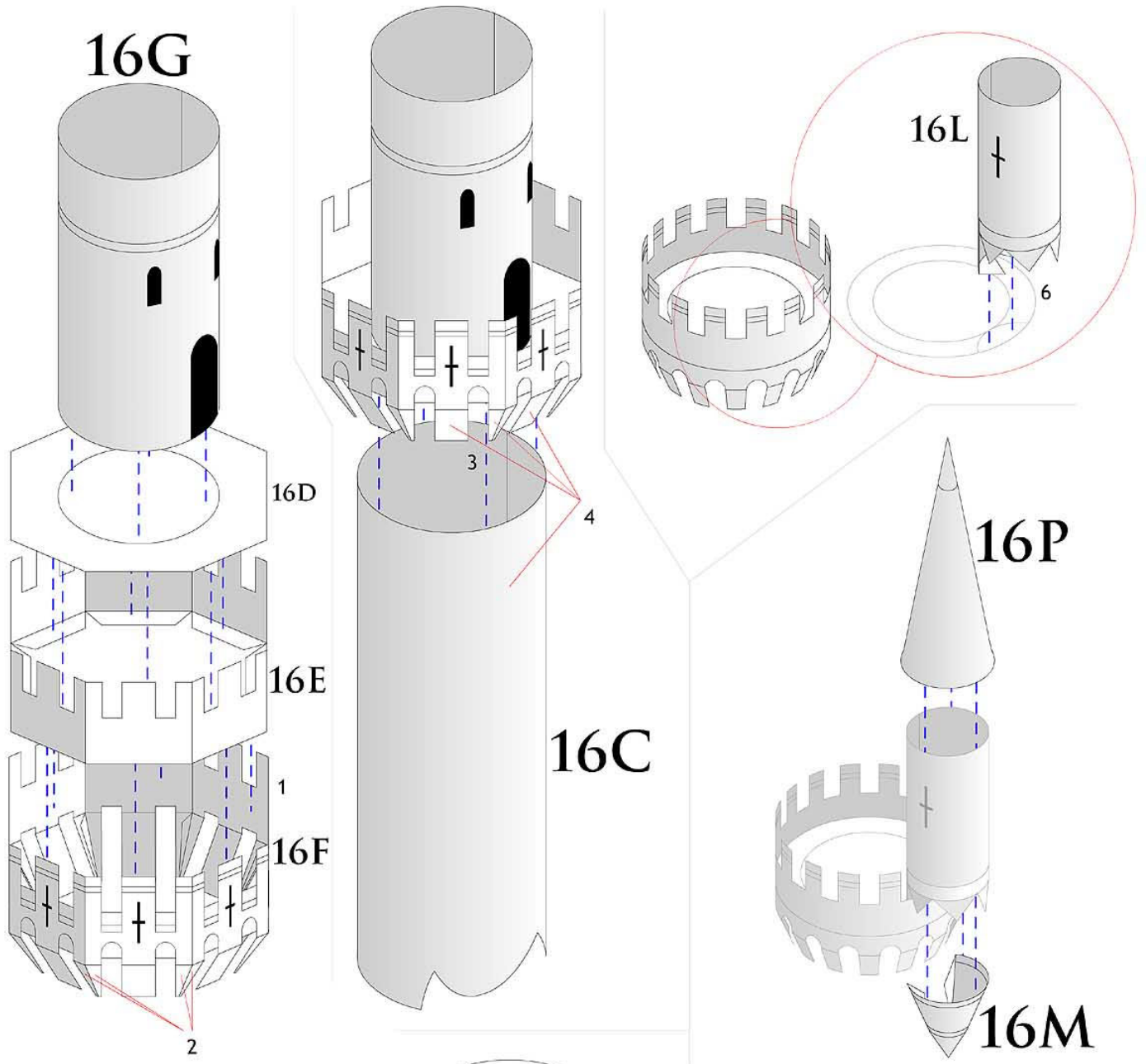
15L



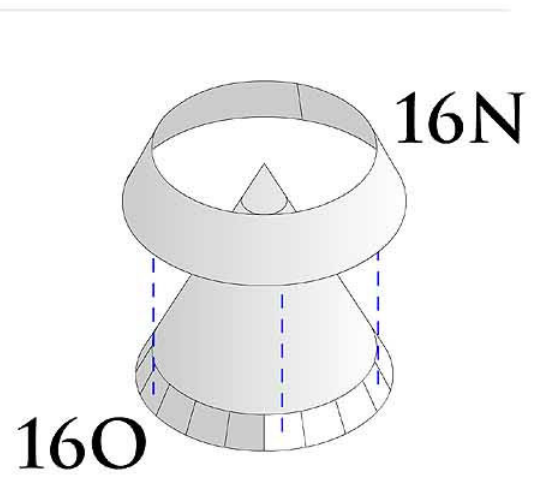
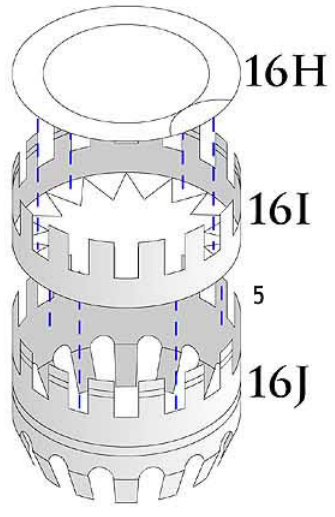
15H

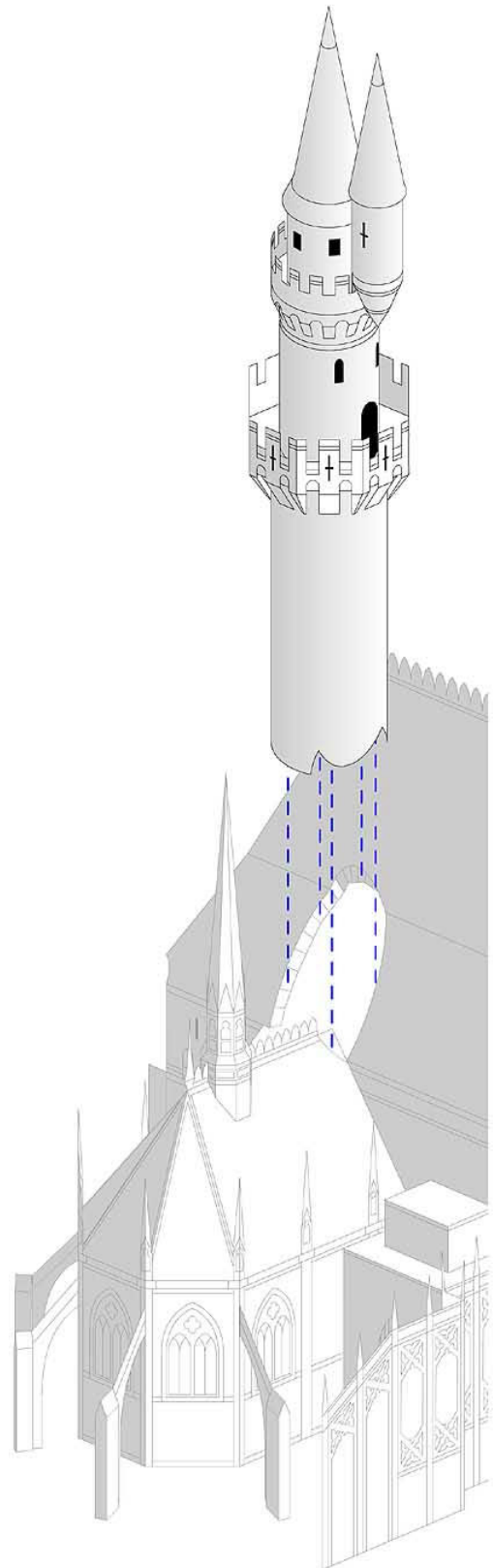
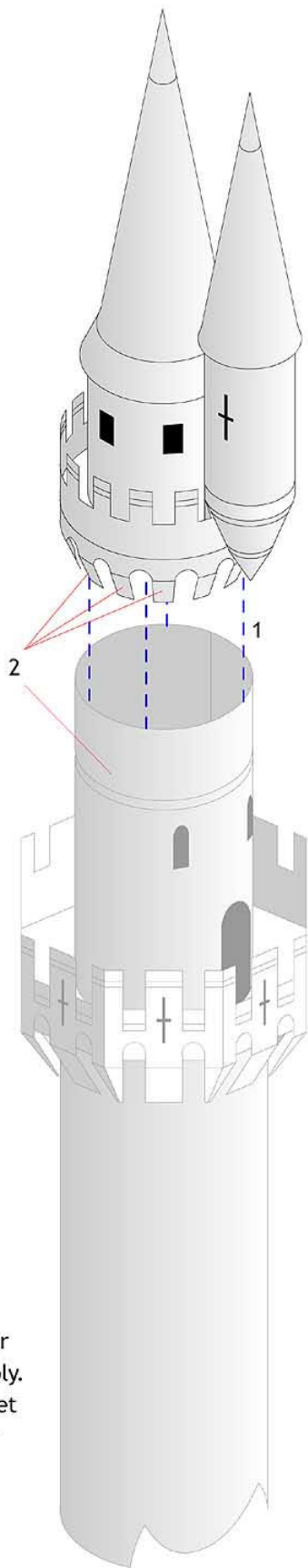
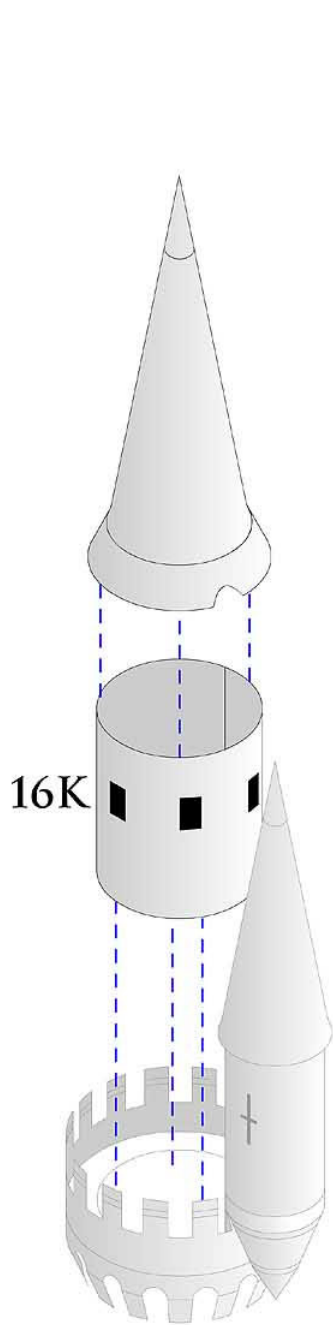
1. Glue pieces 15H to themselves as shown.
2. Glue pieces 15H to the corners of piece 15A.



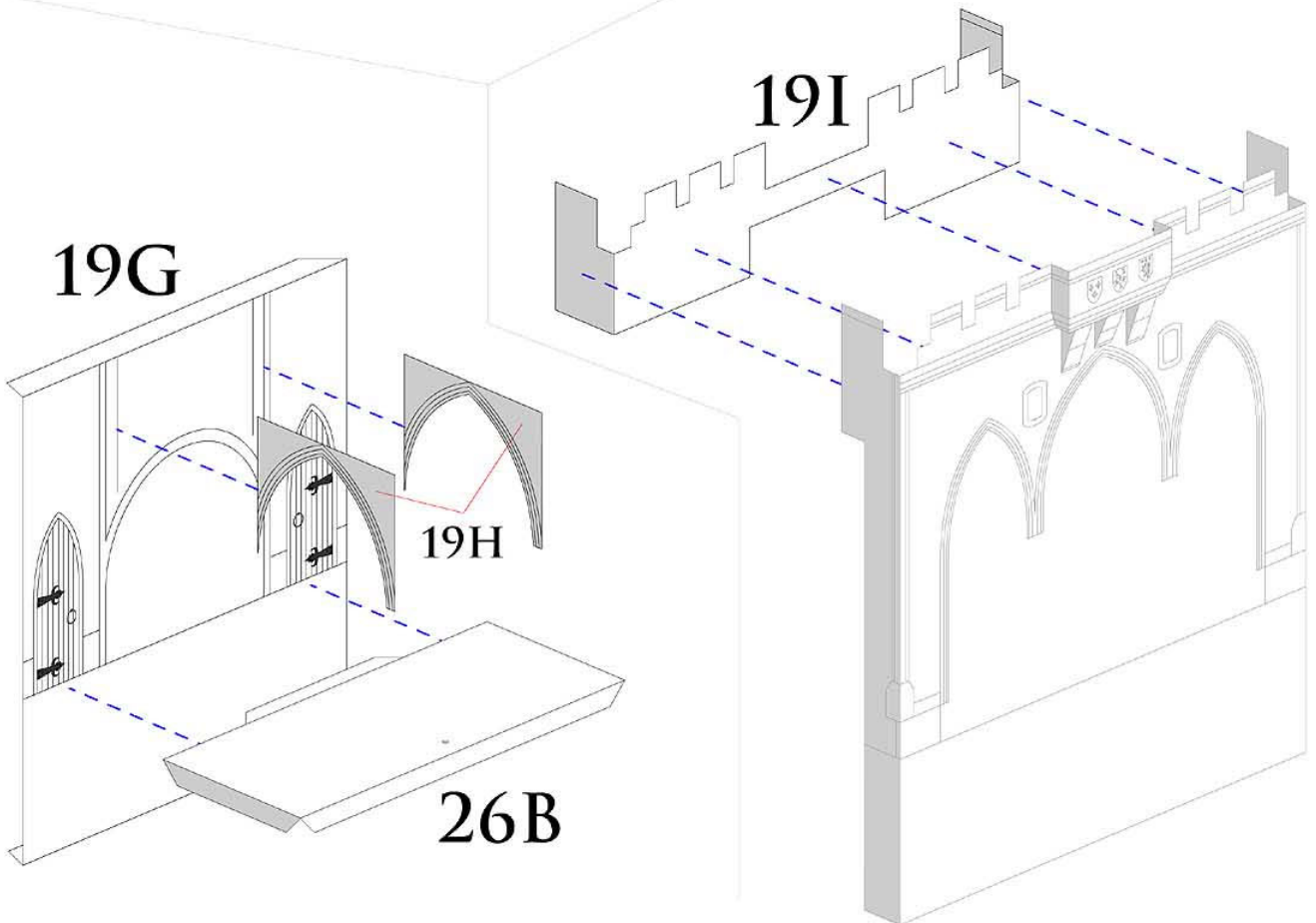
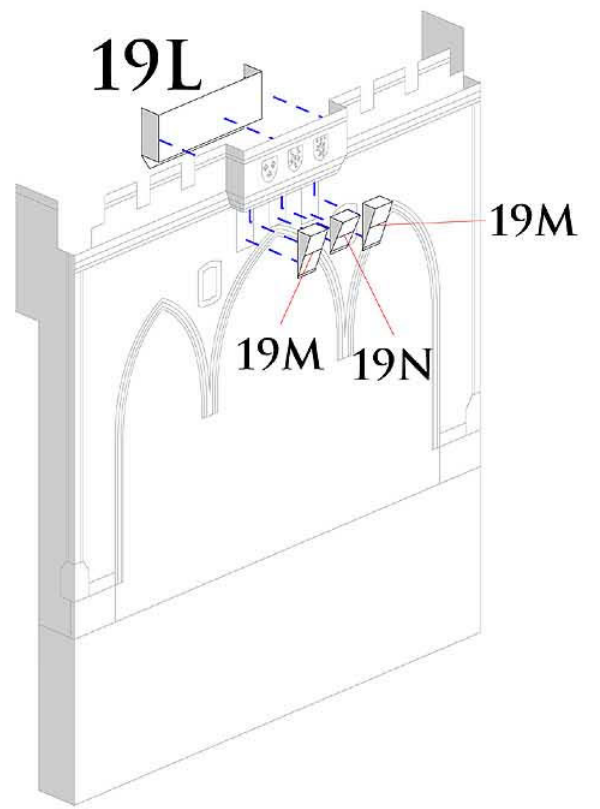
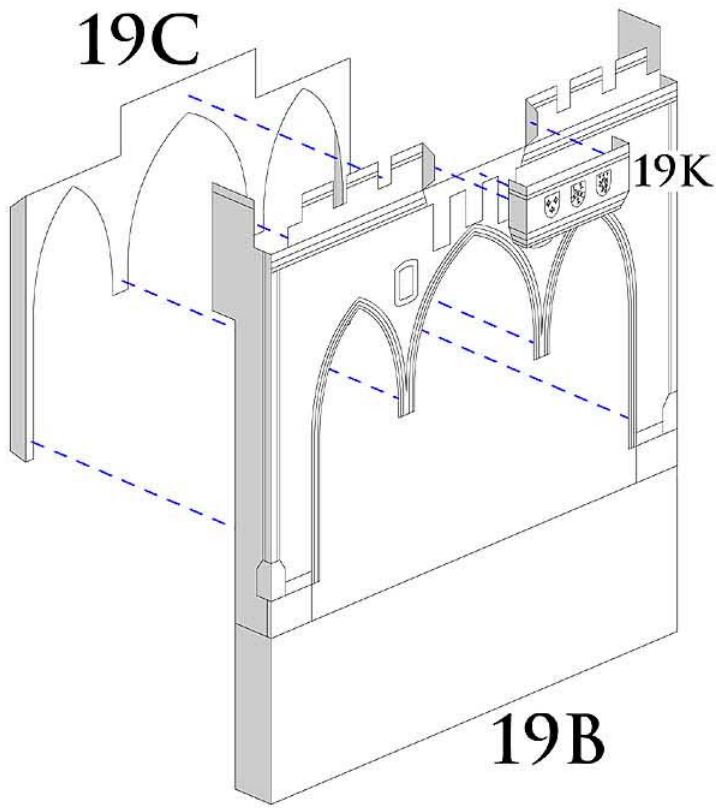


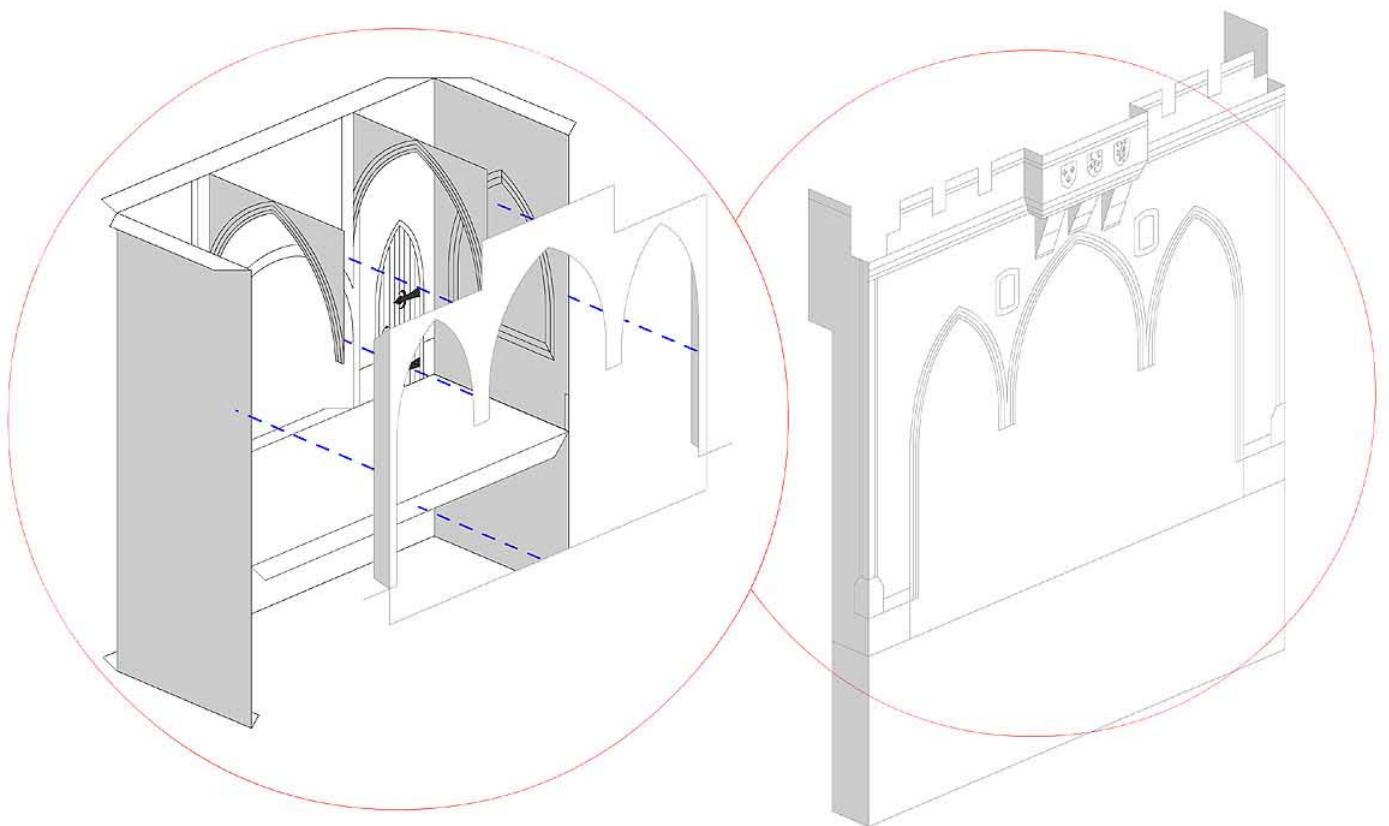
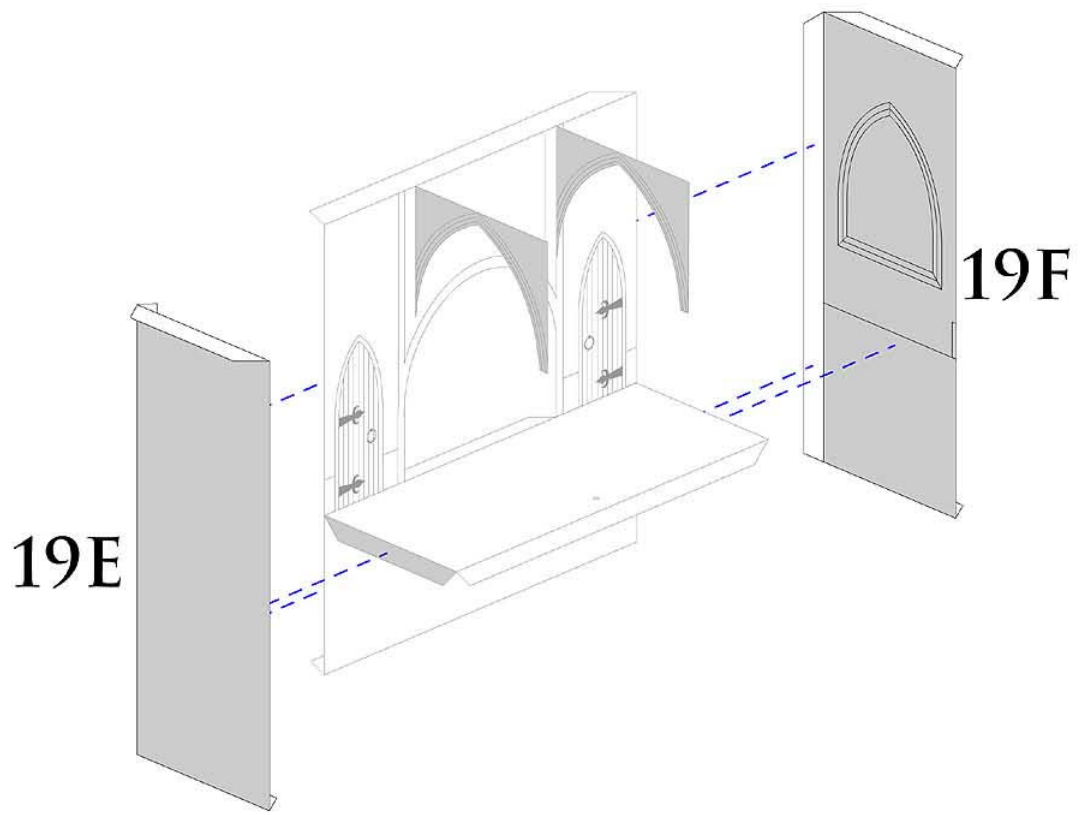
1. Glue piece 16F to the outside of piece 16E.
2. Glue the "fingers" of piece 16F to itself as shown.
3. Glue the lower turret assembly over the top of piece 16C.
4. Glue the "fingers" of the lower turret assembly to the sides of piece 16C.
5. Glue piece 16I to the inside of piece 16J.
6. Glue piece 16L to the small circle area on piece 16H.

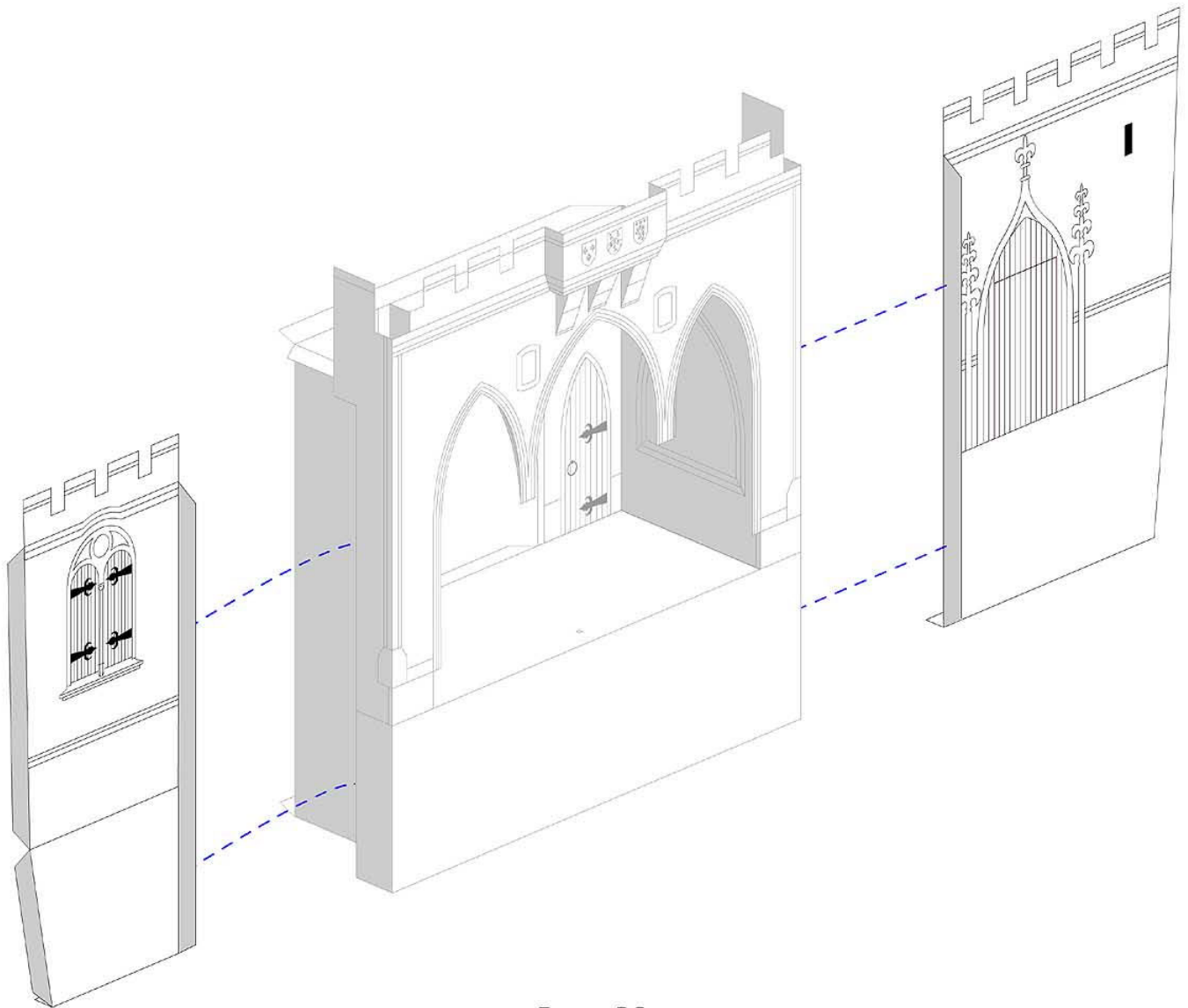
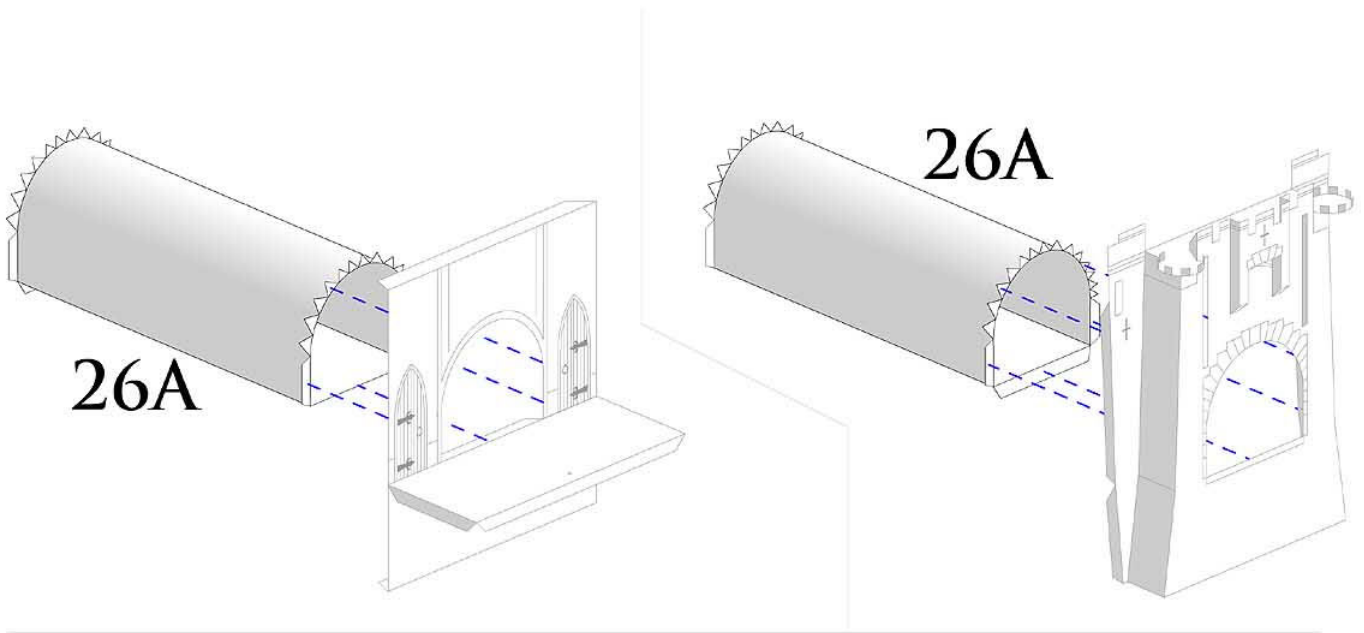


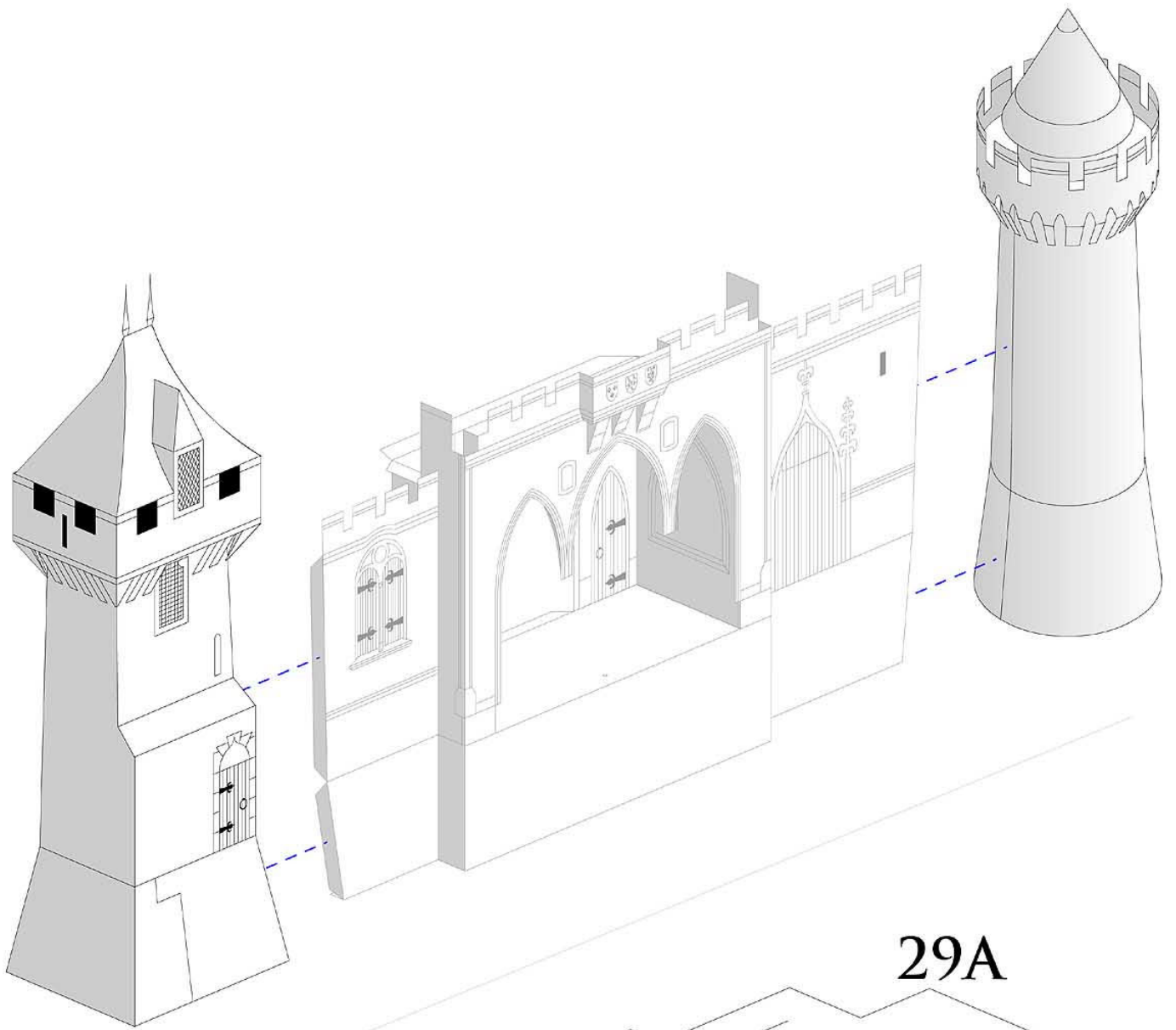


1. Glue the upper turret assembly over the top of the lower turret assembly.
2. Glue the "fingers" of the upper turret assembly to the sides of the lower turret assembly.

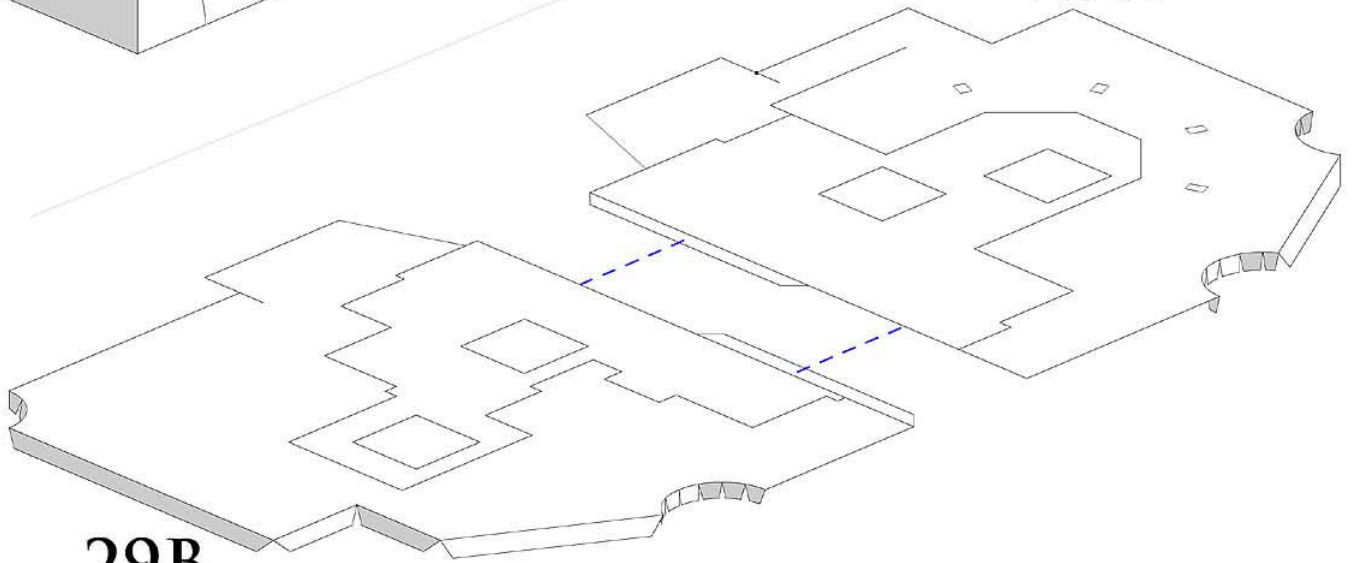




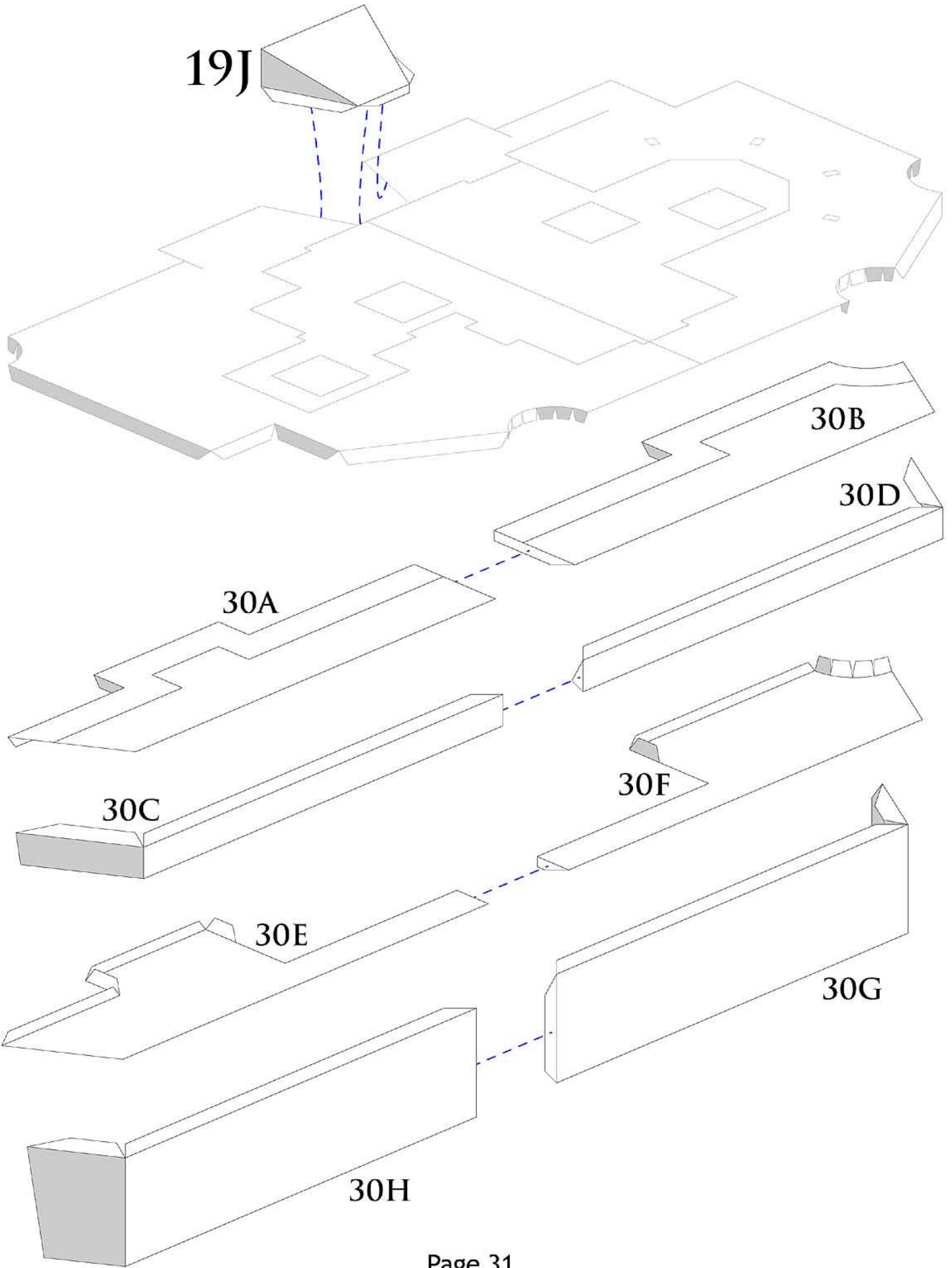


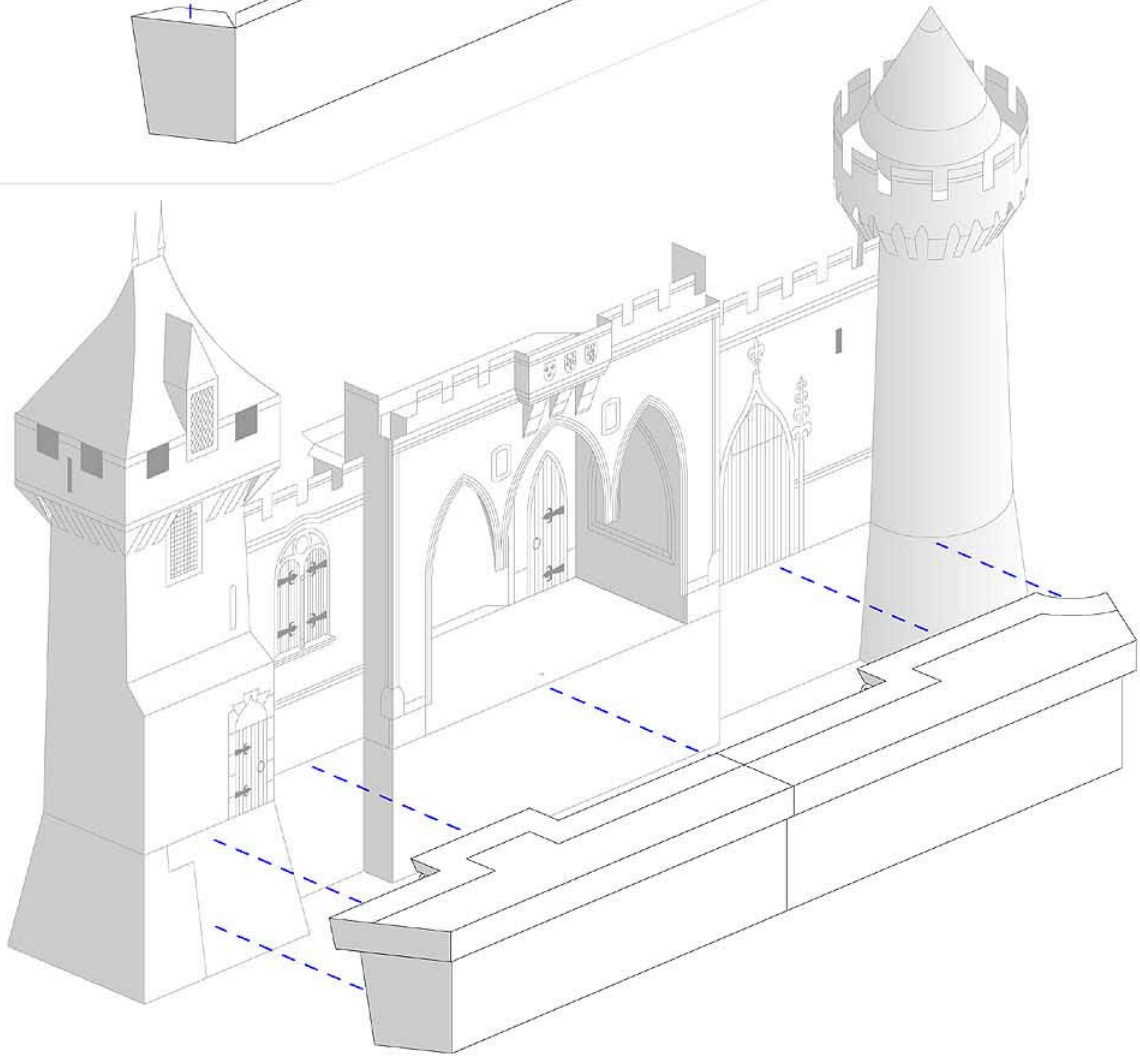
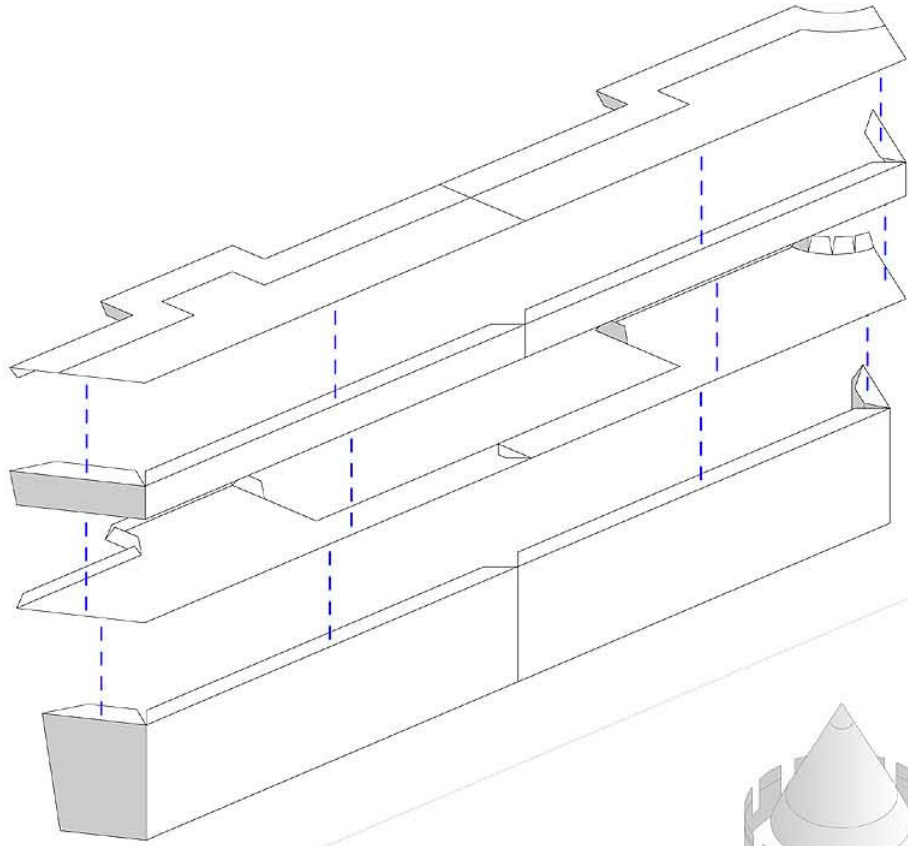


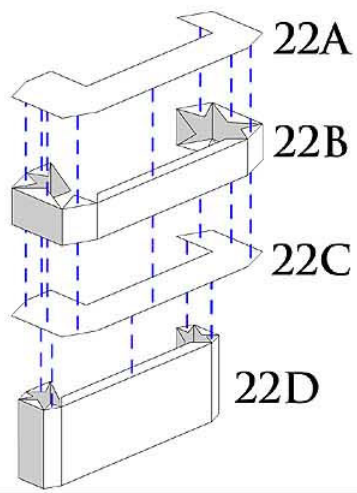
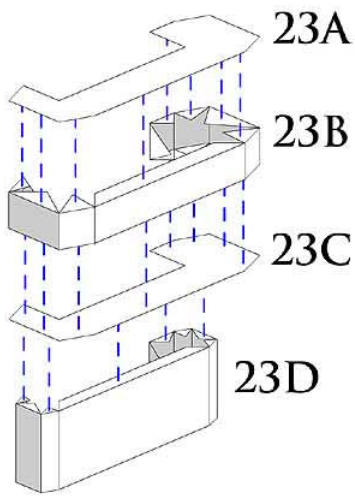
29A



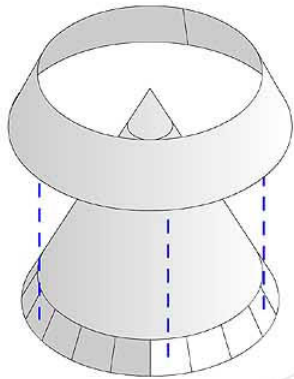
29B







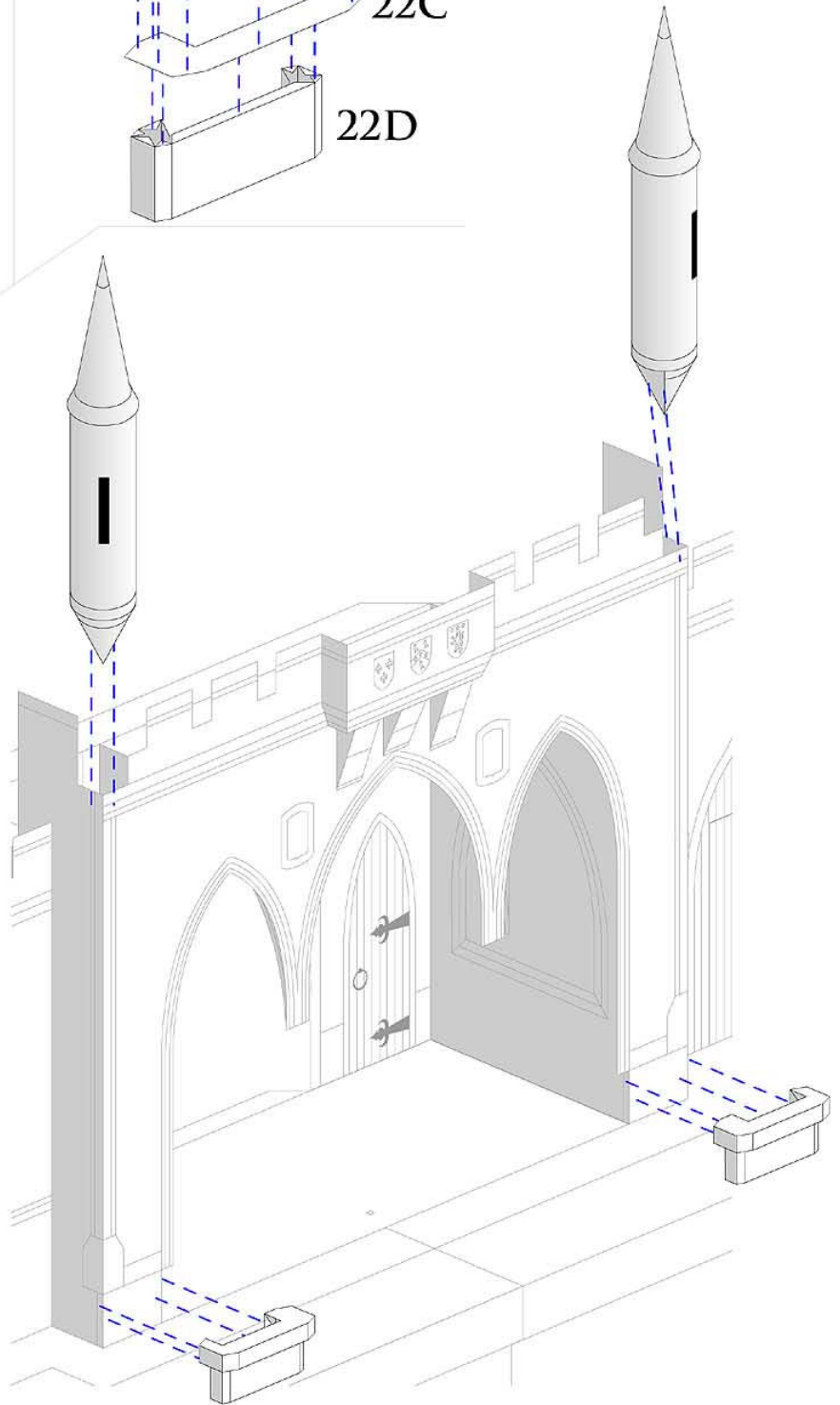
20C, 21C

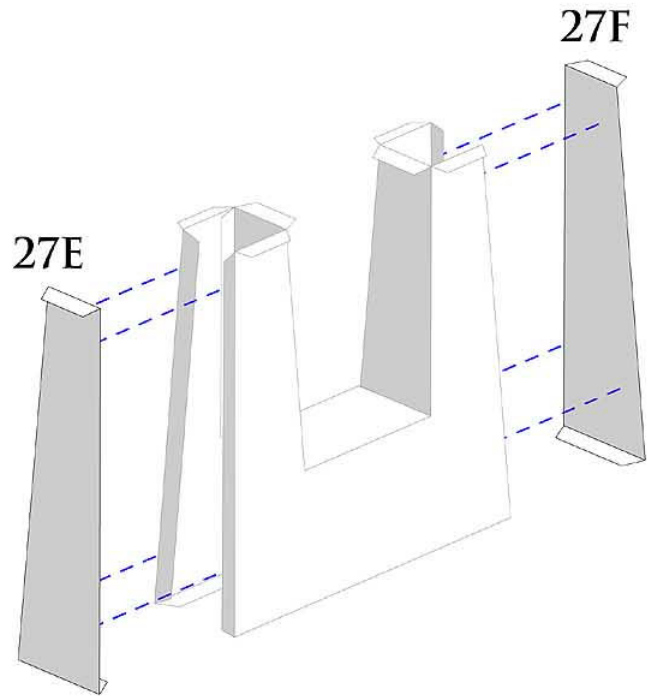
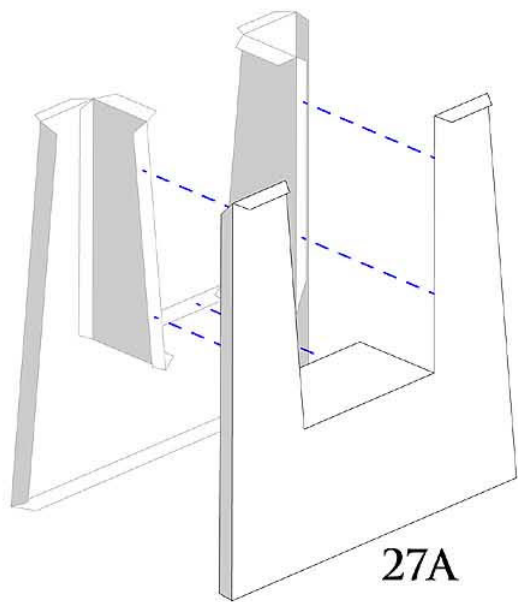
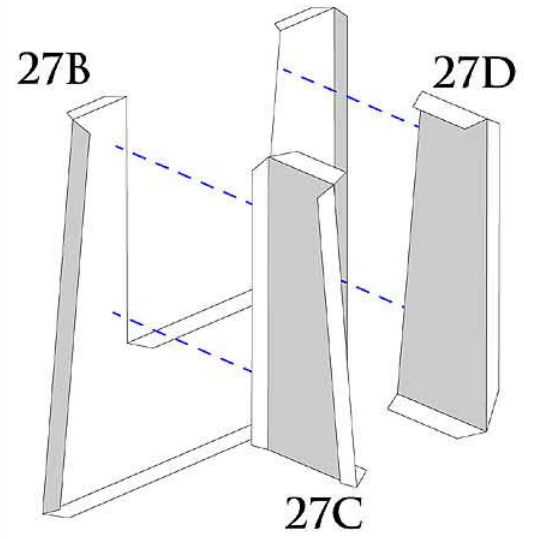
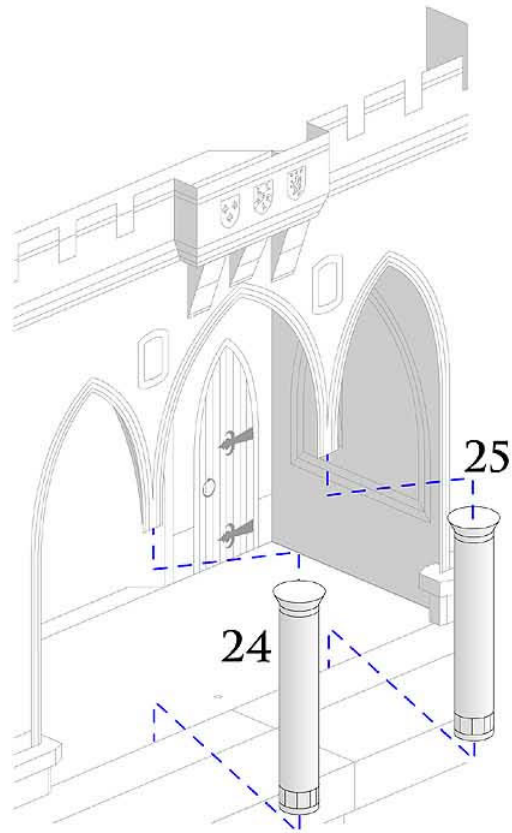
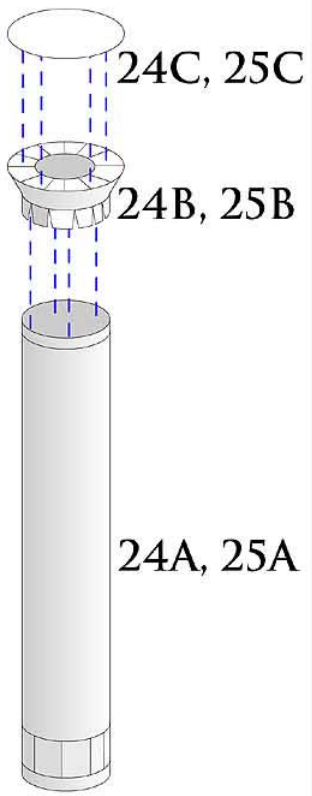


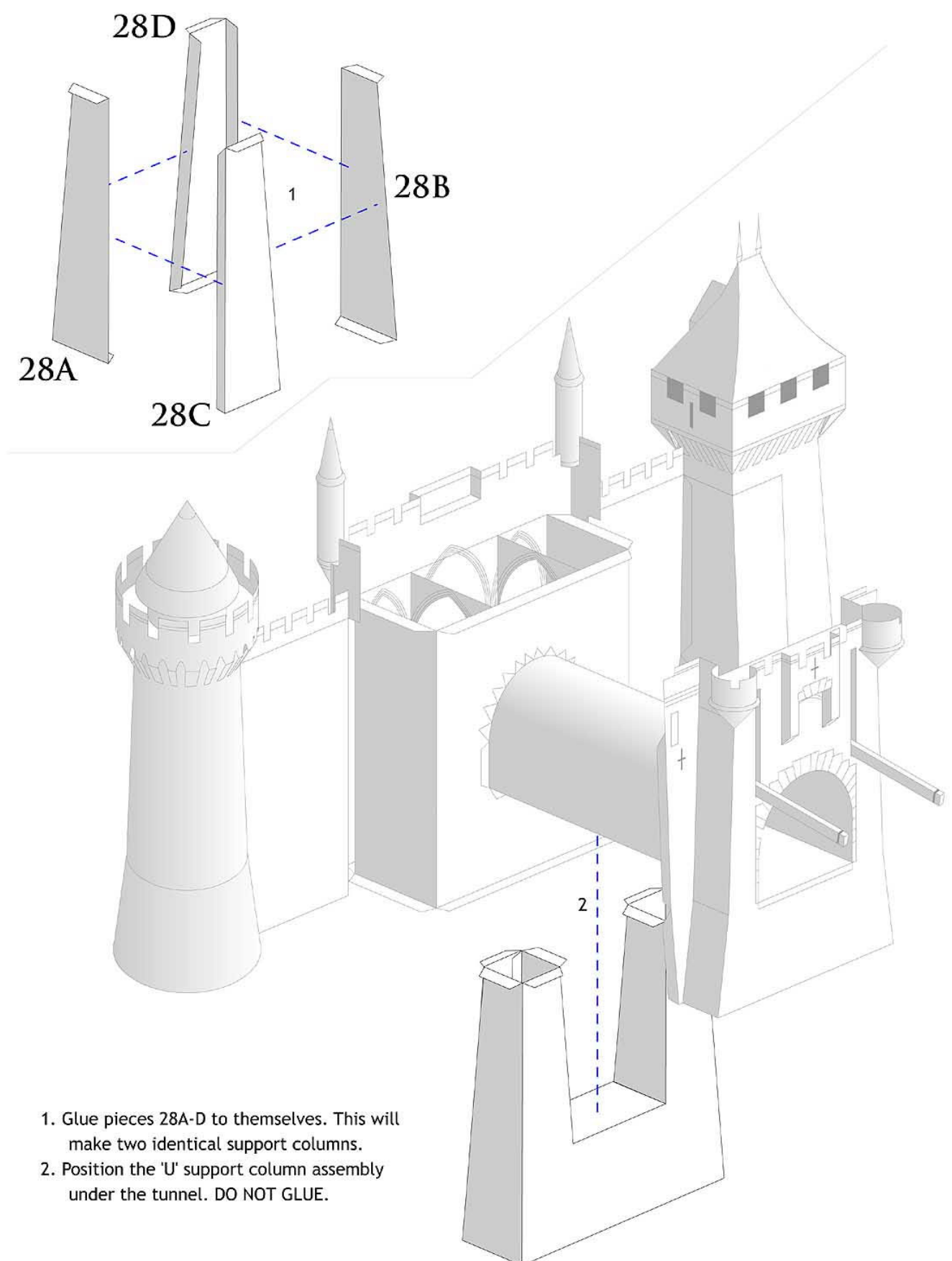
20D, 21D

20A, 21A

20B, 21B

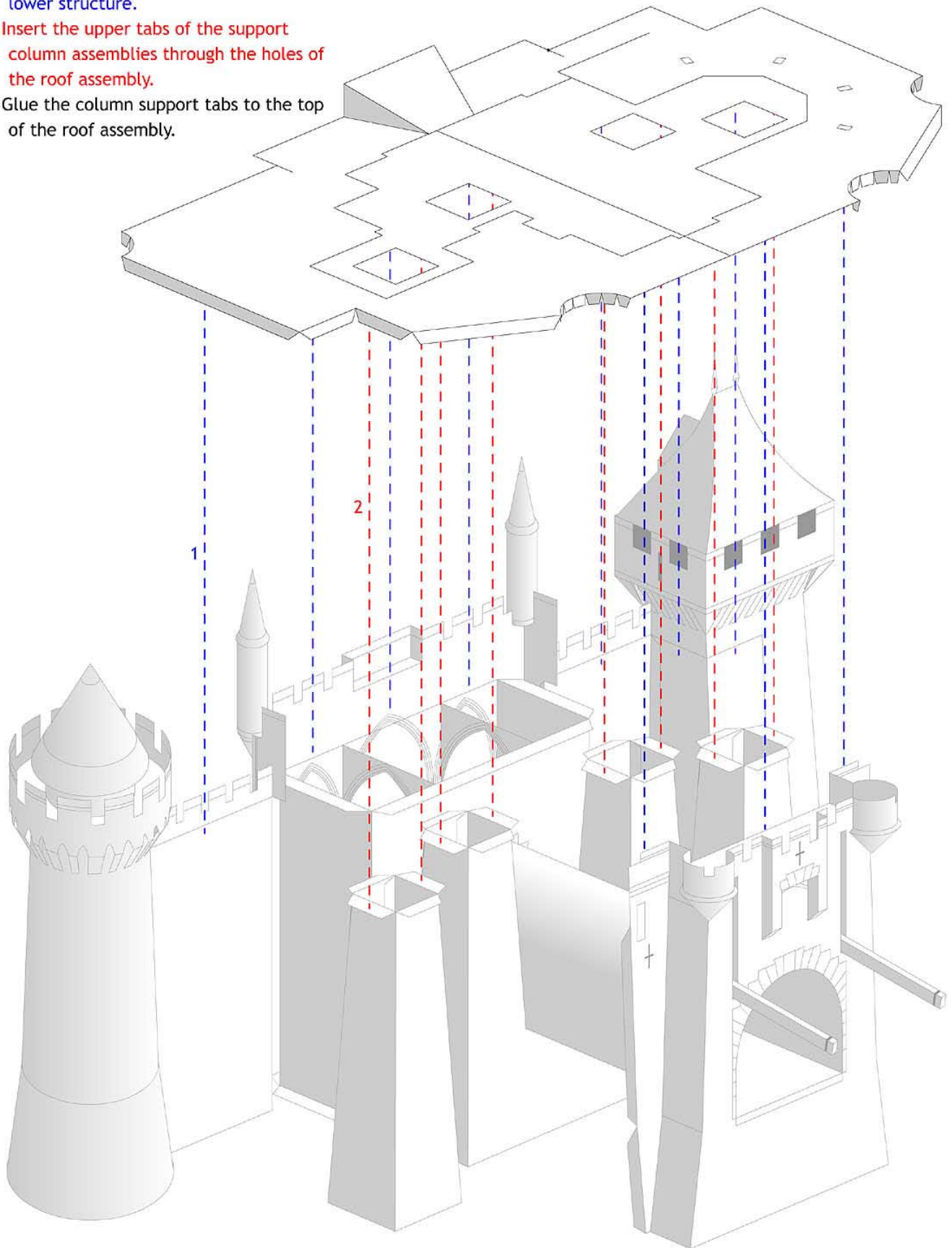




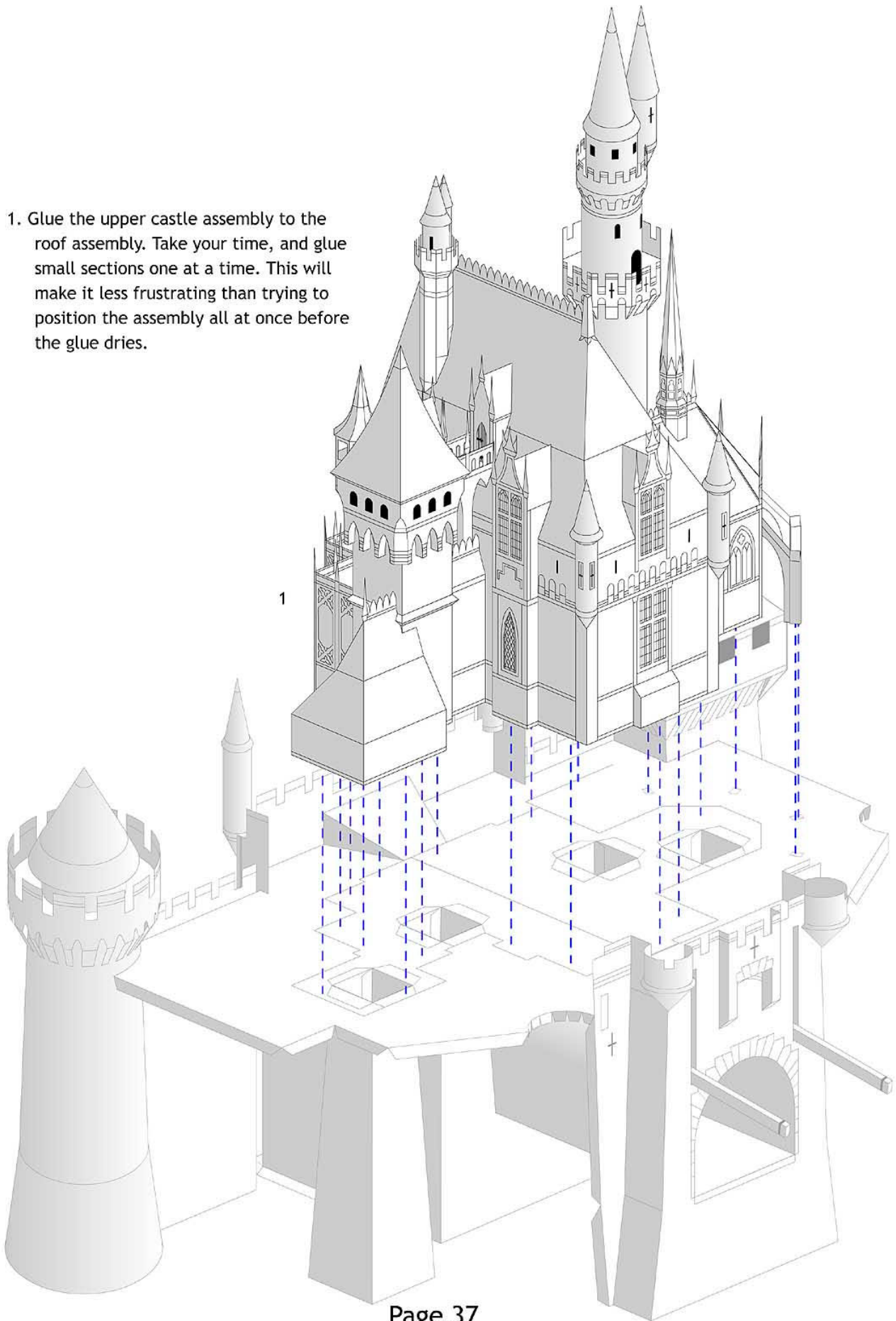


1. Glue pieces 28A-D to themselves. This will make two identical support columns.
2. Position the 'U' support column assembly under the tunnel. DO NOT GLUE.

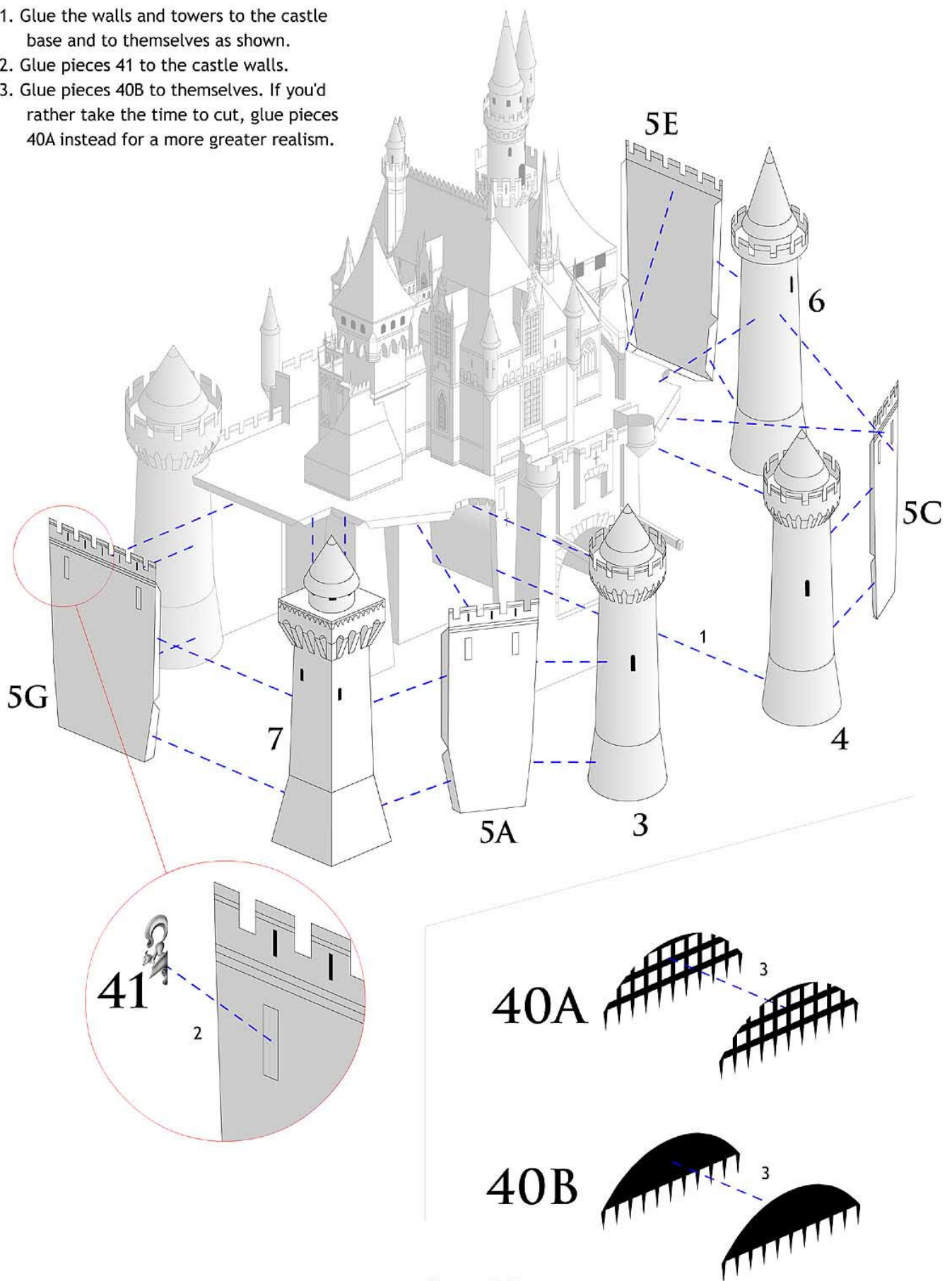
1. Glue the roof assembly to the tabs of the lower structure.
2. Insert the upper tabs of the support column assemblies through the holes of the roof assembly.
3. Glue the column support tabs to the top of the roof assembly.

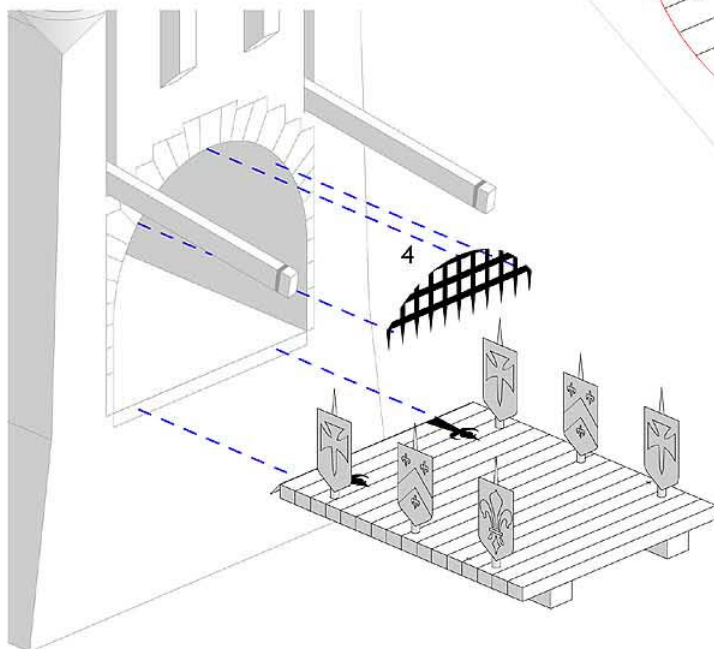
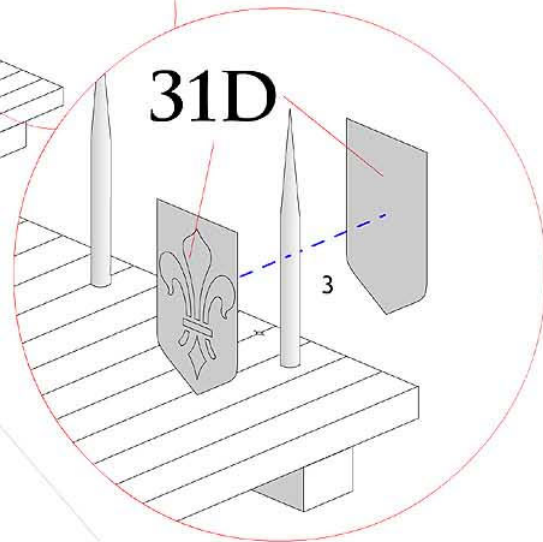
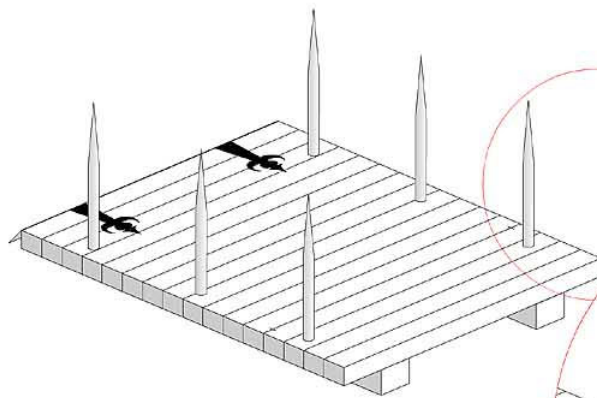
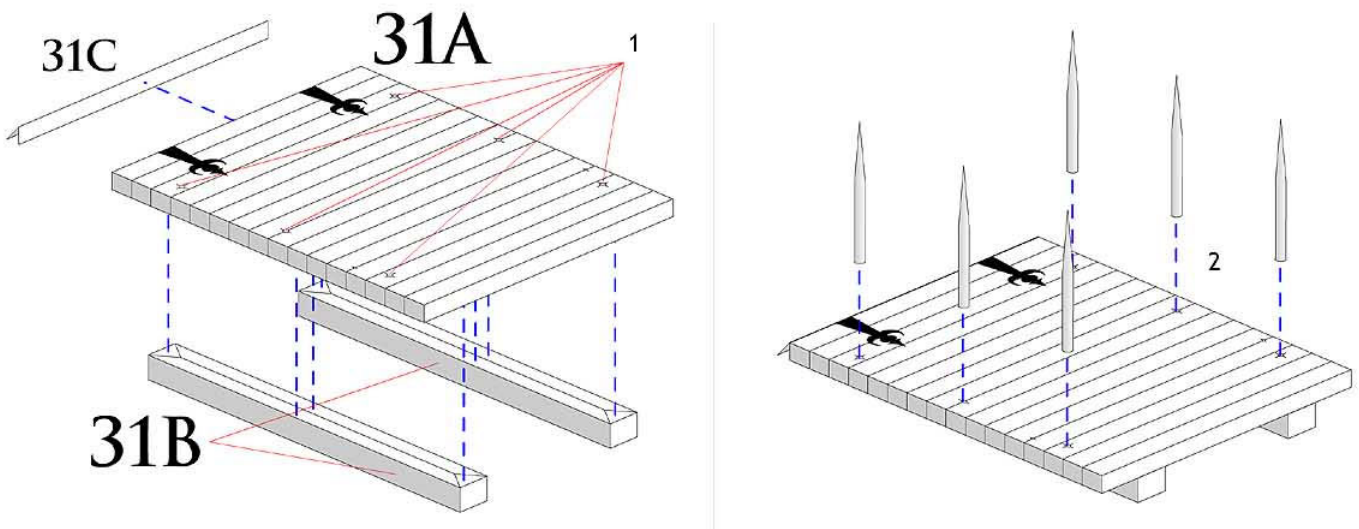


1. Glue the upper castle assembly to the roof assembly. Take your time, and glue small sections one at a time. This will make it less frustrating than trying to position the assembly all at once before the glue dries.

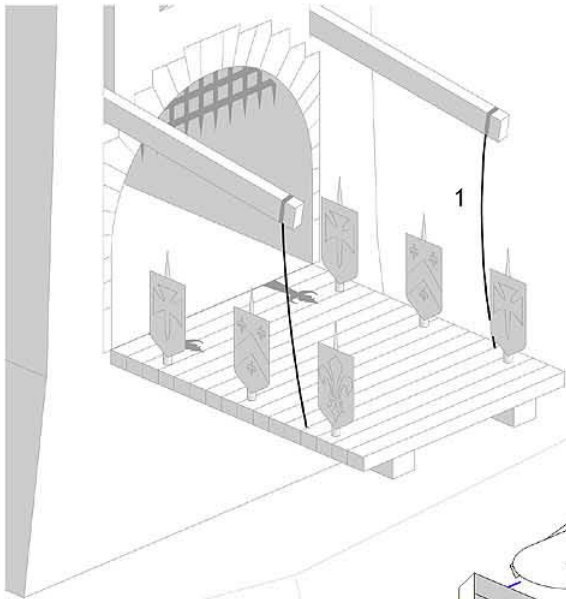


1. Glue the walls and towers to the castle base and to themselves as shown.
2. Glue pieces 41 to the castle walls.
3. Glue pieces 40B to themselves. If you'd rather take the time to cut, glue pieces 40A instead for a more greater realism.

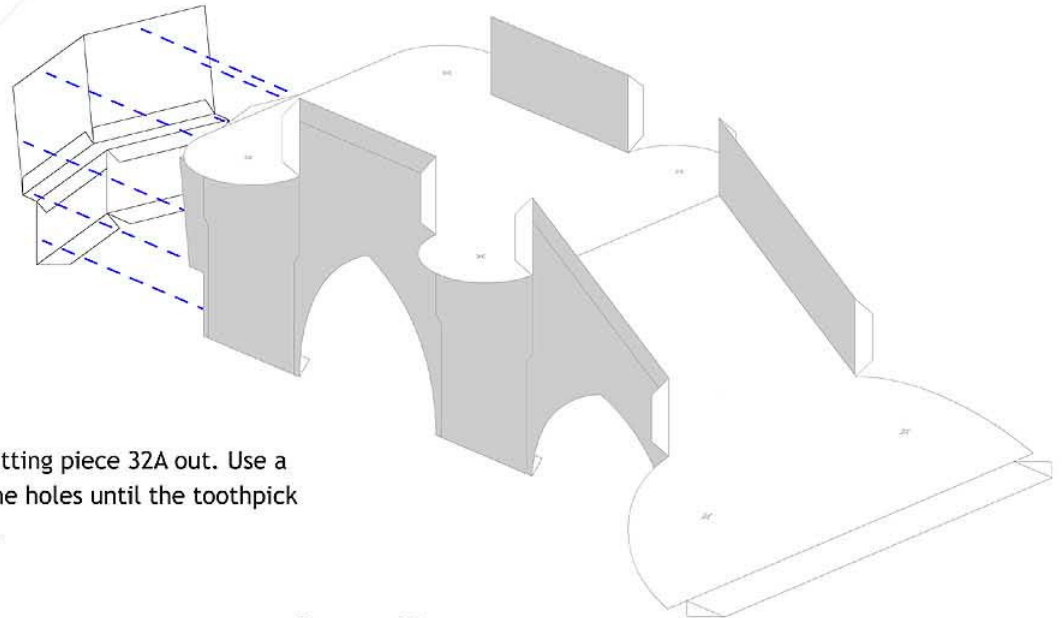
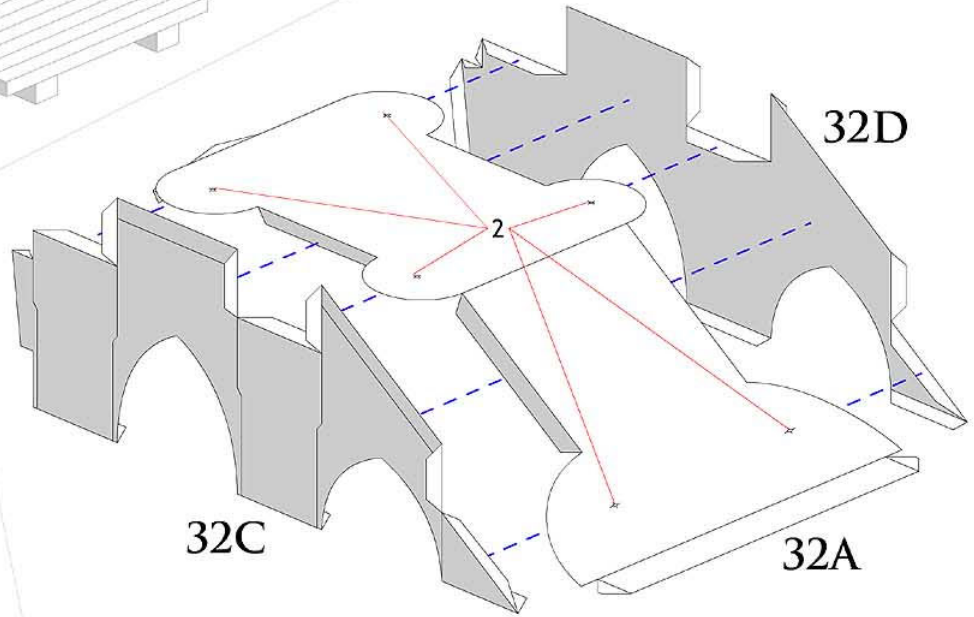
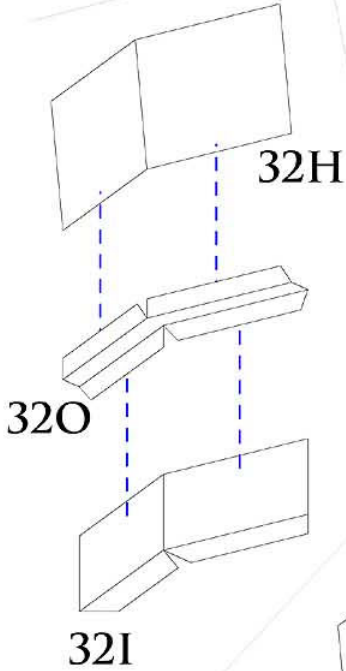




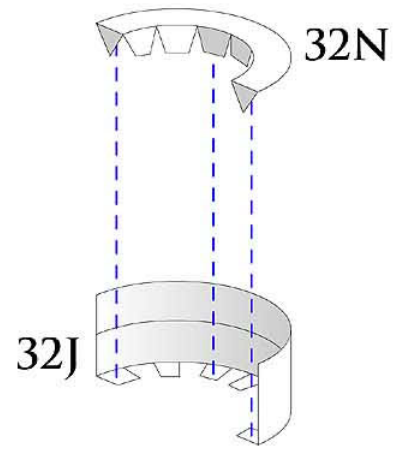
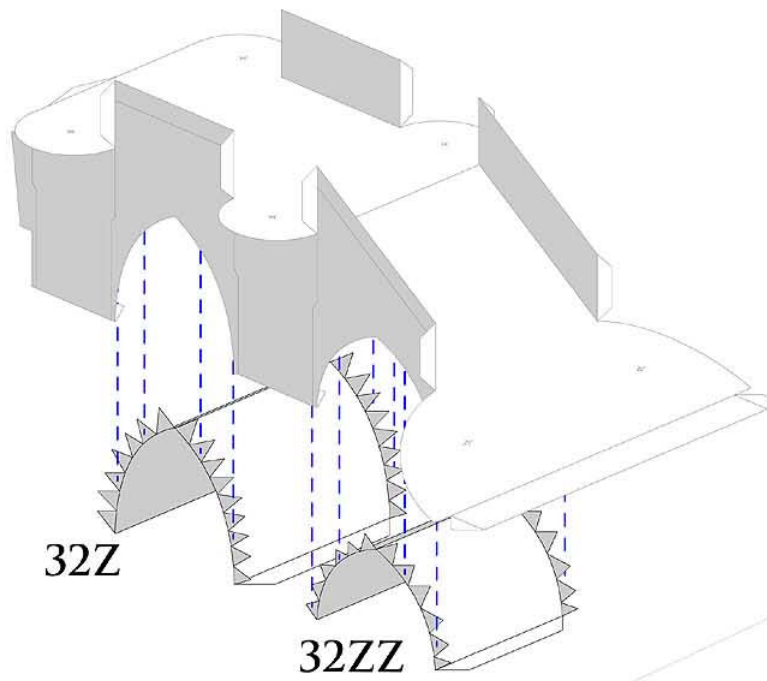
1. Punch holes *before* cutting piece 31A out. Use a toothpick to widen the holes until the toothpick slides through snugly. Assemble piece 31A to itself as shown.
2. Cut the ends off of 6 toothpicks (1 inch). Use marker, acrylic paint, or a medium of your choice to color the toothpicks black (or any color you desire). Glue the toothpicks into the holes of the drawbridge assembly.
3. Glue pieces 31D to the toothpicks.
4. Glue the gate assembly to the top of the tunnel. Recess it at least 1/8 of an inch.



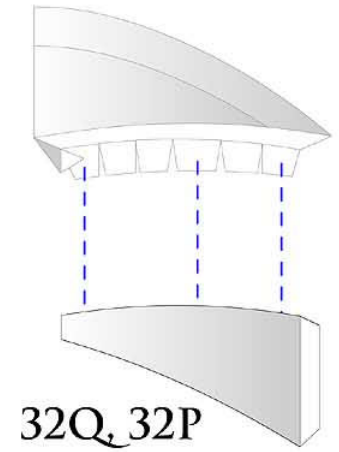
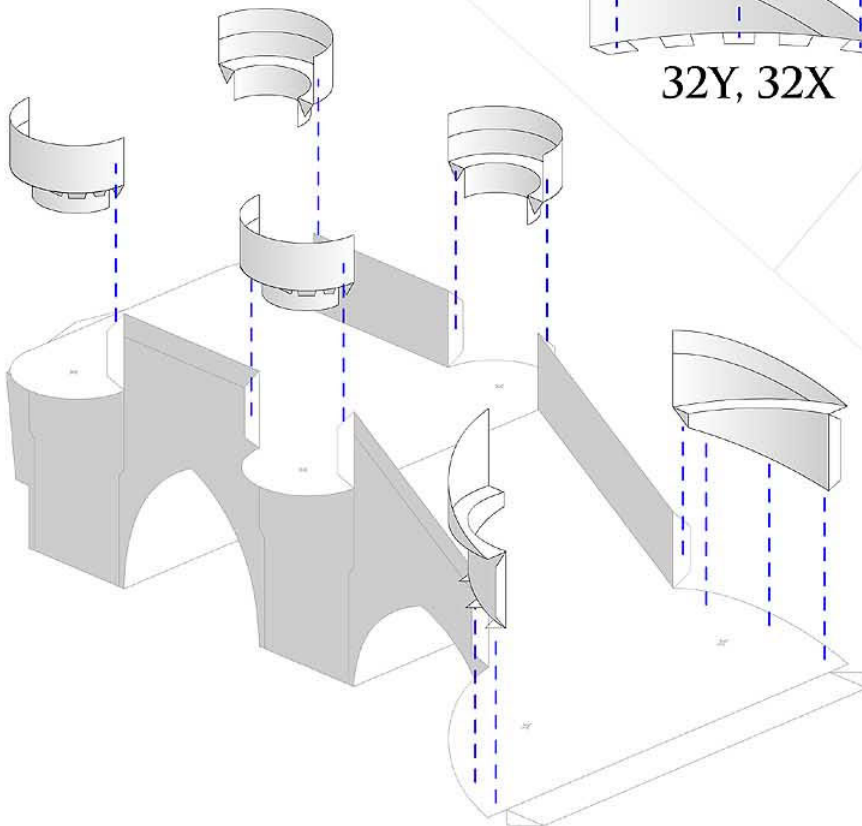
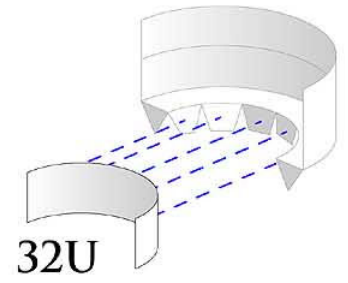
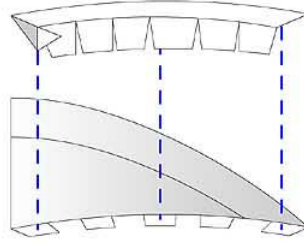
1. Use 2 piece of black string to connect the drawbridge assembly to the drawbridge arms. For greater realism, use thin black (or silver) chains made of miniature chain links. You can typically get these chains at your local arts & crafts store. A fabric store may also supply them; they are usually wound on rods and are sold with the lace section. You can also try a hardware store. The chains should be extremely cheap, and you may want to buy a little extra in case you mess up.

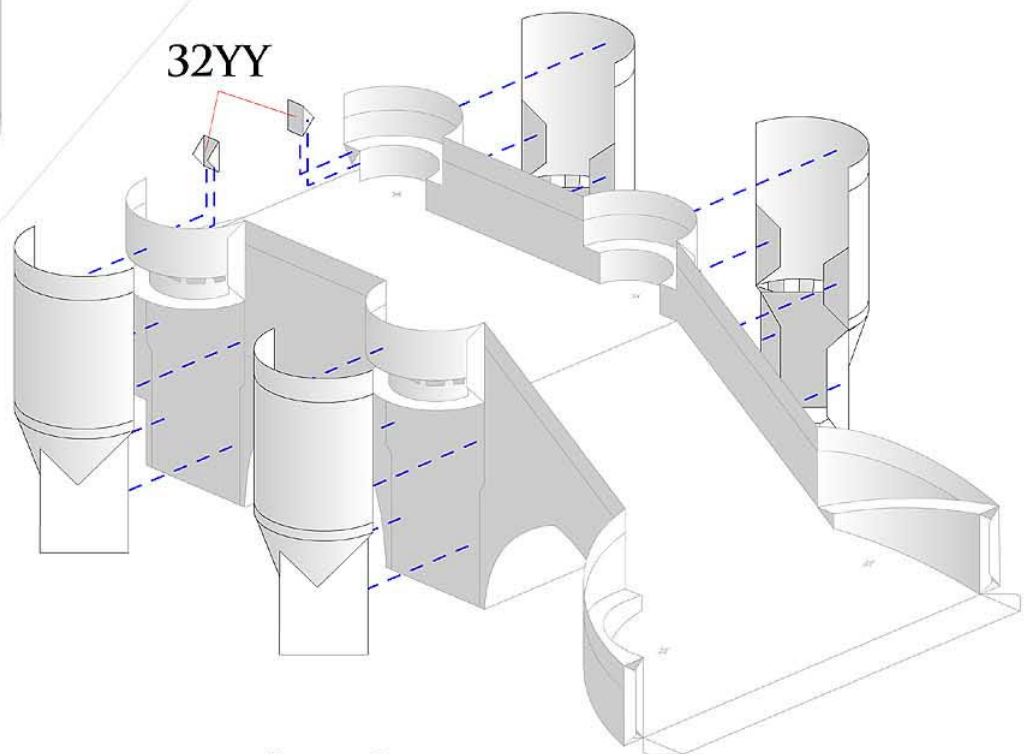
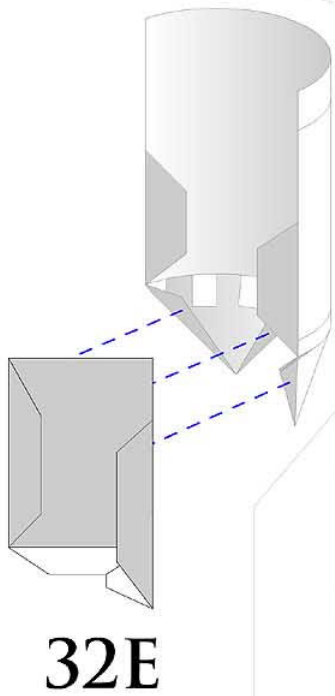
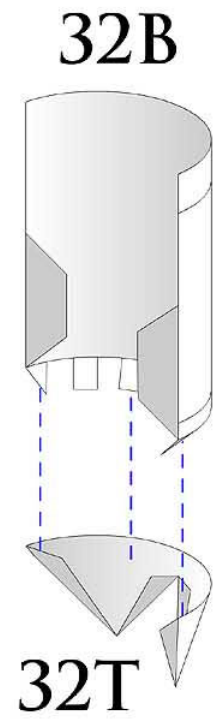
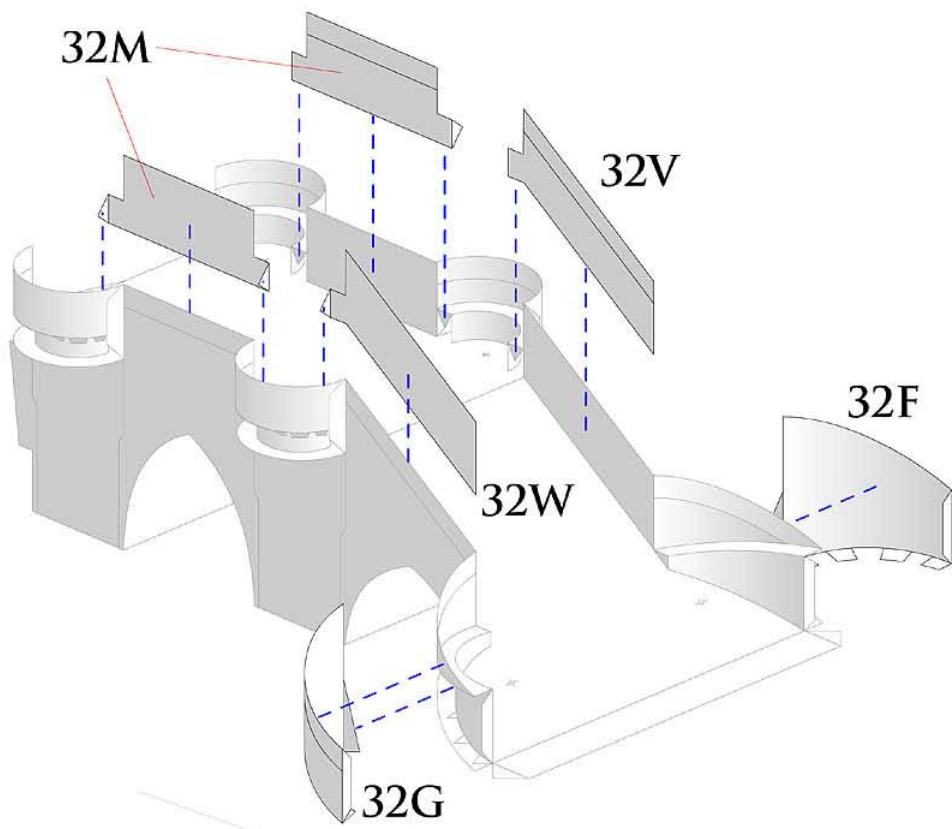


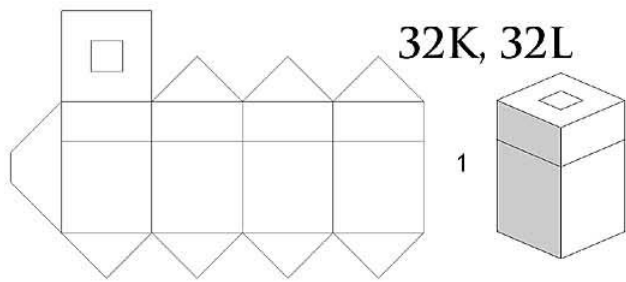
2. Punch holes *before* cutting piece 32A out. Use a toothpick to widen the holes until the toothpick slides through snugly.



32S, 32R

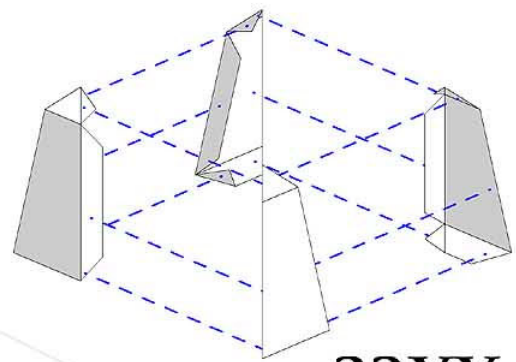




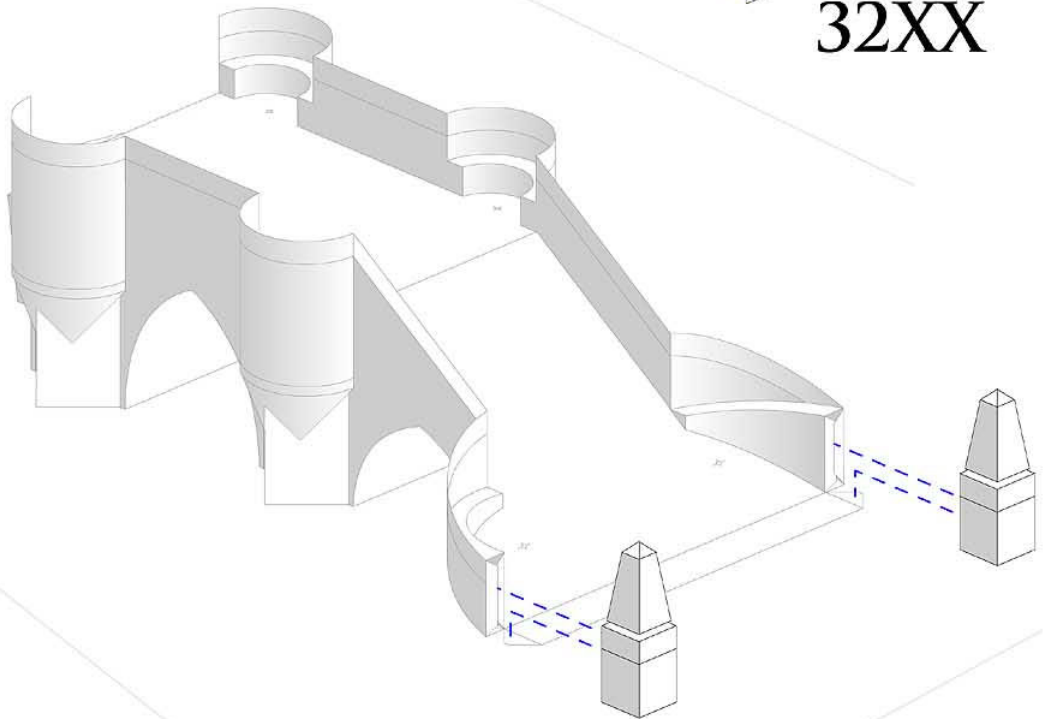
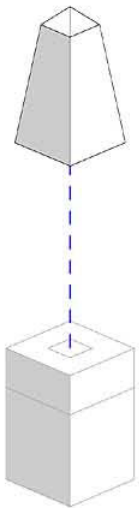


32K, 32L

1

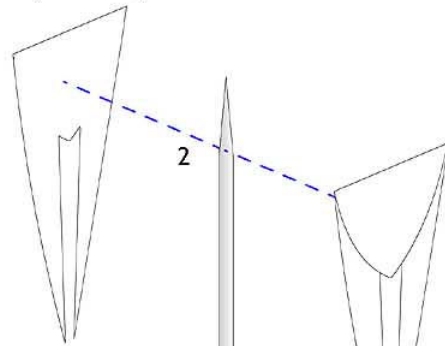


32XX



1. Glue pieces 32K & 32L to themselves as shown.
2. Glue pieces 34A/B, 35A/B, & 36A/B to six toothpicks.
3. Glue pieces 33A over the top of the end of the toothpicks.

34A, 35A, 36A



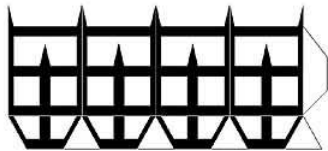
2

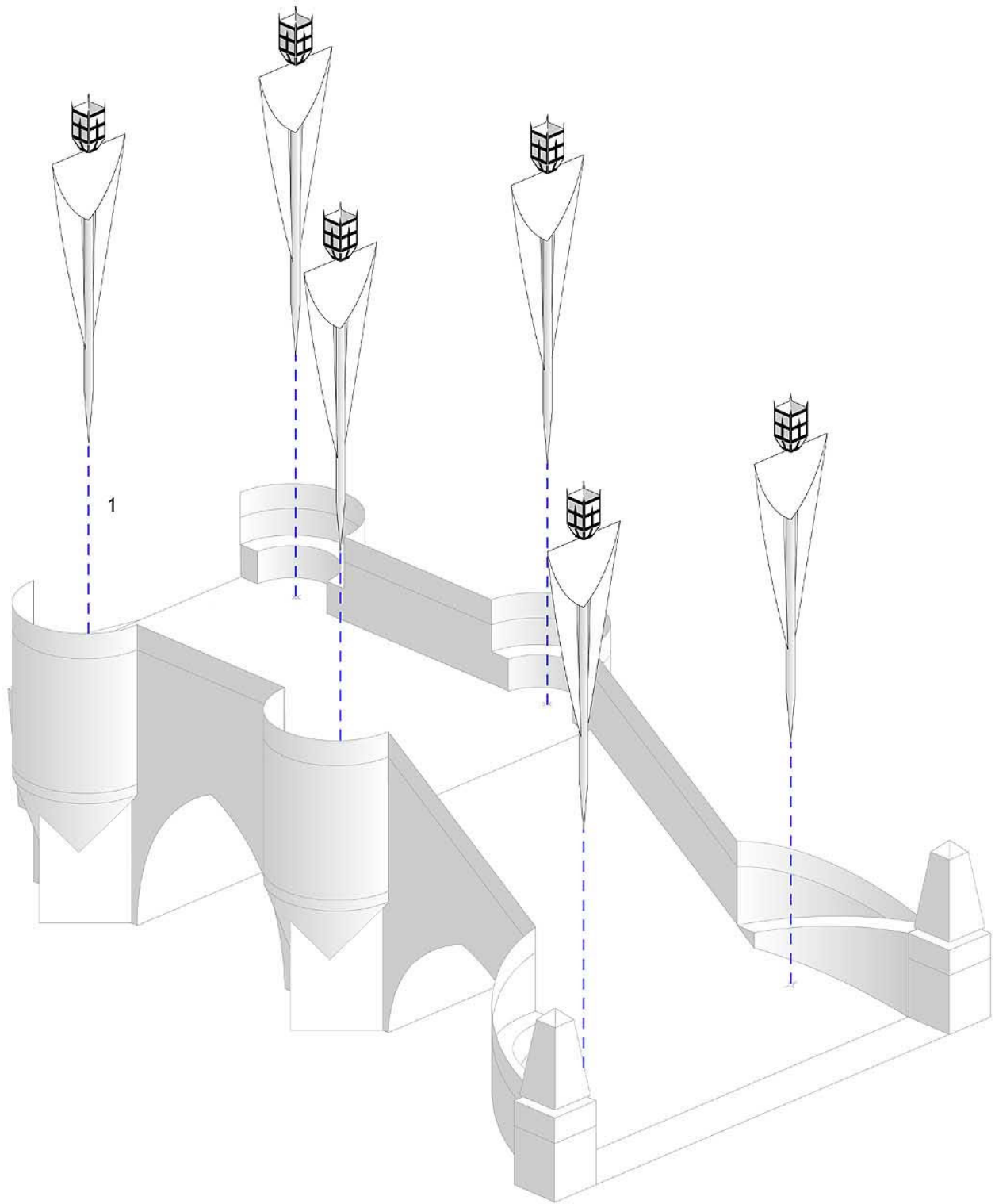
34B, 35B, 36B



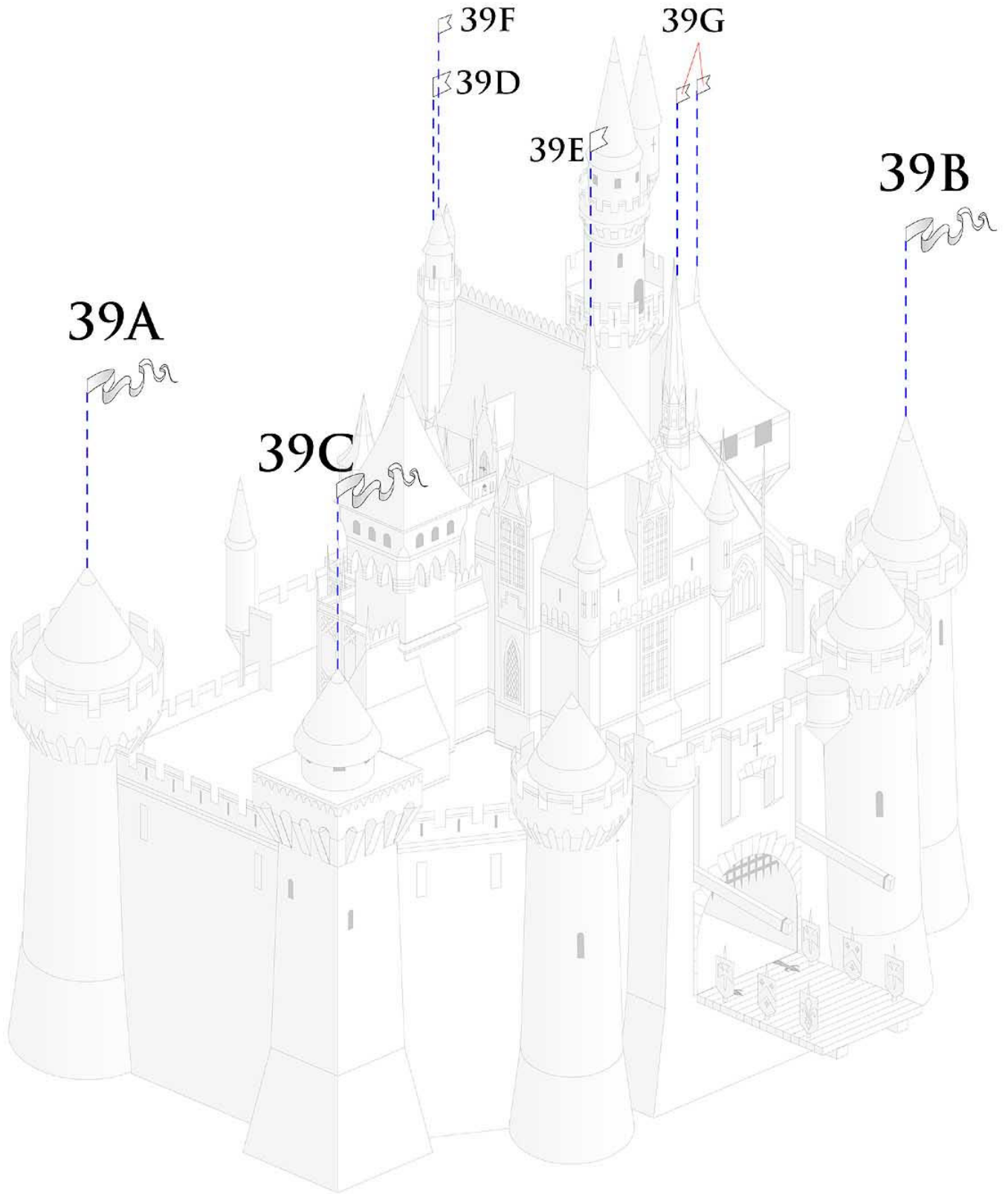
3

33A





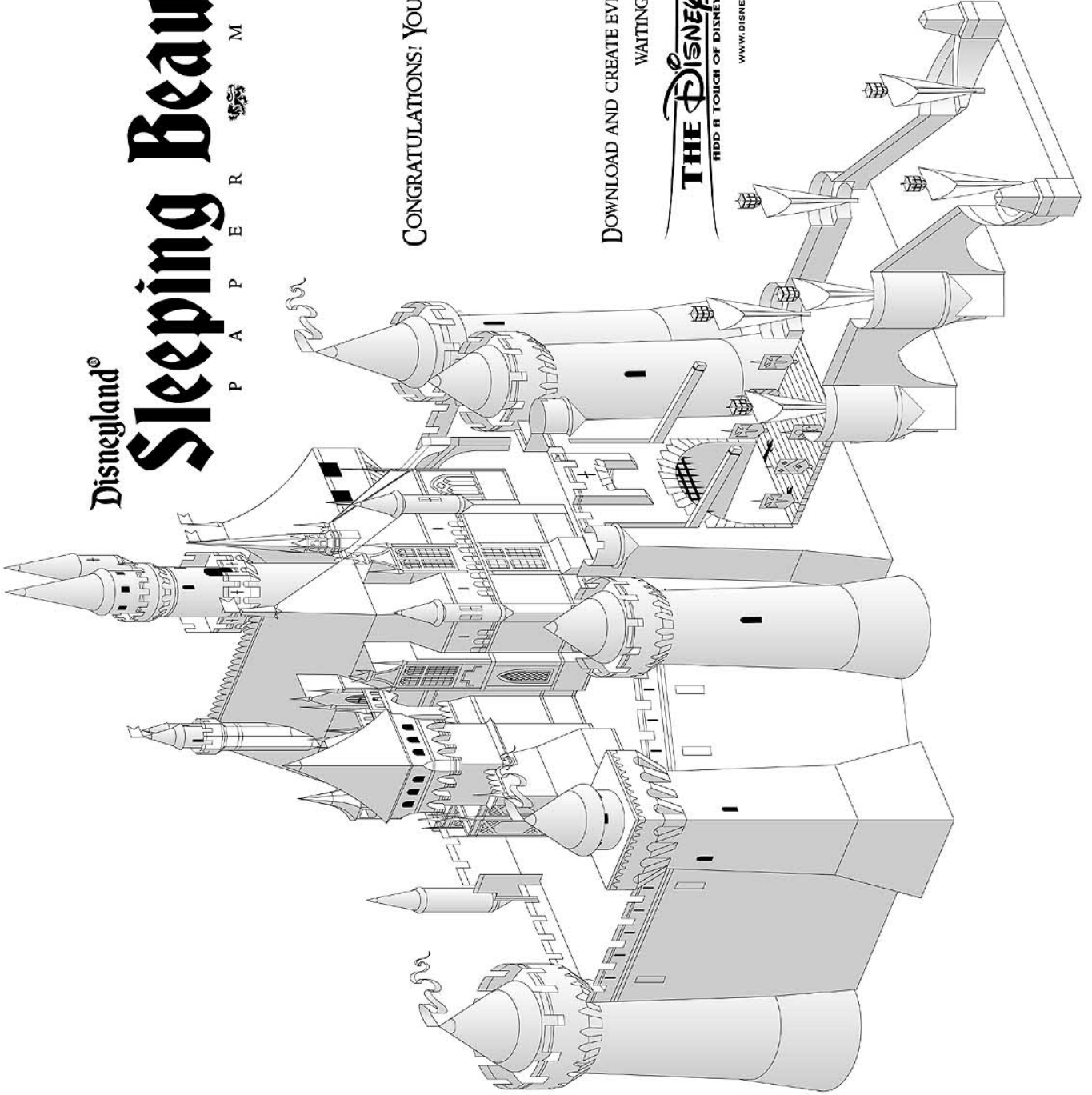
1. Glue the banners into the holes of the ramp assembly.
2. Prepare pieces 39A-G by gluing them to themselves. You may also want to glue all of the pieces around short pieces of wire (or something thin and stiff) to help you glue them to the turrets in the next step. While the glue is still wet, bend and twist pieces 39A-C to make them appear to flap in the wind. As the glue dries, the pieces will retain their shape.



Disneyland®

Sleeping Beauty Castle

P A P E R M O D E L



CONGRATULATIONS! YOU'VE COMPLETED THE MODEL.

DOWNLOAD AND CREATE EVEN MORE EXCITING PROJECTS. ALL
WAITING FOR YOU AT

THE DISNEY EXPERIENCE

ADD A TOUCH OF DISNEY MAGIC TO YOUR COMPUTER

WWW.DISNEYEXPERIENCE.COM