

# SLEEPING BEAUTY CASTLE



Final model may vary from image.

- Difficulty Level: 8 (of 10)
- Width: 17", Height: 16.5", Depth: 22.5 "
- 518 Full-color pieces.
- Drawbridge raises & lowers.

## Required Tools:

- Adobe® Reader®
- Color Printer
- Glue
- X-acto Knife (These are very sharp and can cause serious injury! Use with extreme caution, and keep out of reach of children.)
- Scissors
- Toothpicks
- Ruler
- Black marker or paint (see Step 57)
- Black string/thread (see Step 60)

## Optional Tools:

- Short lengths of small chain (see Step 60)
- See Step 66

## Printing Guidelines:



When printing with Adobe® Reader®, it is important to use proper printing settings for correct alignment and scaling. Click the Print Tool button. In the Print settings dialog box, set **Page Scaling** to **None**, and enable the **Auto-Rotate and Center** option. Unless you are a professional modeler, you should print on 8 ½ by 11 (U.S. Letter) sheets, and should not change the recommended print settings.

## Instructions:

When printing these instructions, you should print on both sides of the sheets to save paper. You can also print in black & white to save color ink/toner. Some people prefer not to print, referencing the instructions from their computer monitor.

## Model Parts:

This model has been designed for printing on every-day printer paper, so you're ready print right away! However, some people prefer to print on cardstock of their choosing (each have their own preferences).



If you should need to re-print selective model parts, you can use the Snapshot Tool in Adobe® Reader®. Click the icon once, then click-drag a box around the area that you want to print. The selected area will flash once (a "snapshot"), and you're ready to print. In the Print settings dialog box, you will see a preview of the document. In the preview, only the snapshot appears and will be printed. This saves you from printing the whole page, thus saving ink/toner.

## Troubleshooting Files:

If you feel that the model parts are not printing properly, you can use the alignment box in the lower-right corner of the model part sheets. Hold two or more sheets to a light source, and compare both the position and sizes of the alignment boxes.

Sometimes PDF files can become corrupted while downloading. This is not uncommon, and is no cause for alarm. Delete the bad files, and try re-downloading them. Another common error is that your version of Adobe® Reader® is out-of-date. Please visit the Adobe® Web site and download the latest version of the software. This typically solves 90% of users' file problems.

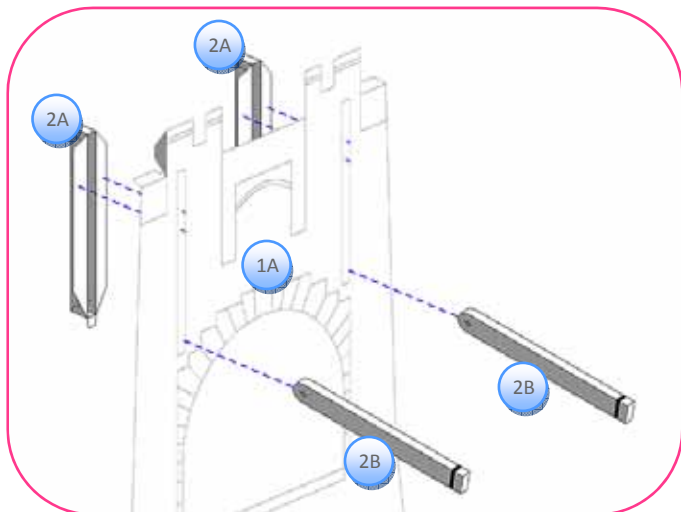
## Construction Guidelines

Read these instructions and study the illustrations to know what/where to cut/fold. Before gluing, always dry-fit the pieces to ensure they fit properly. Be aware that paper will absorb moisture from watery glue, and it may expand.

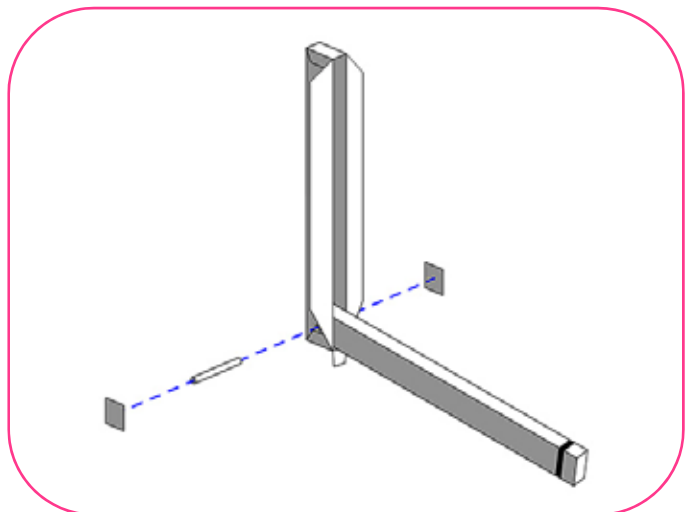
When following these instructions, do not take the illustrations too literally. In many cases, pieces will be simplified (i.e. no tabs). Other times, pieces or entire sections may be missing that were previously displayed. This does not mean you should ever disassemble your model (unless instructed to do so).

Most model parts have numbered tabs. The numbers indicate which parts get glued to the tabs.

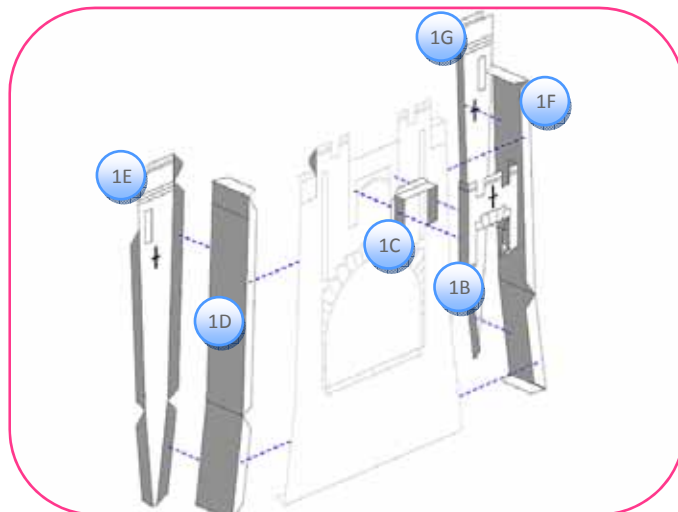
## SLEEPING BEAUTY CASTLE



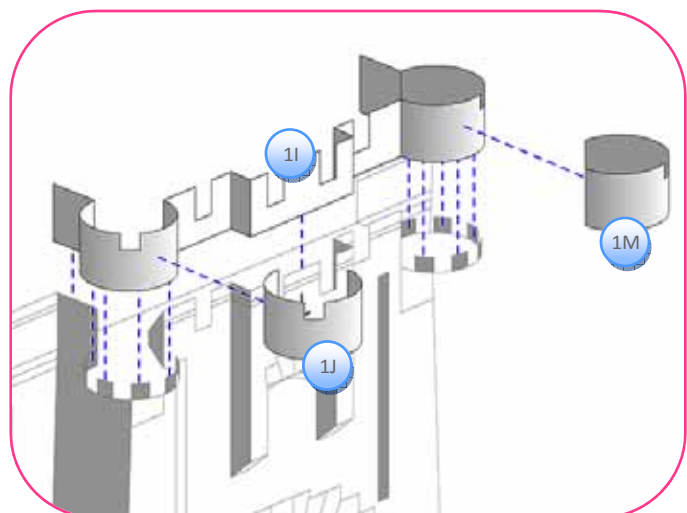
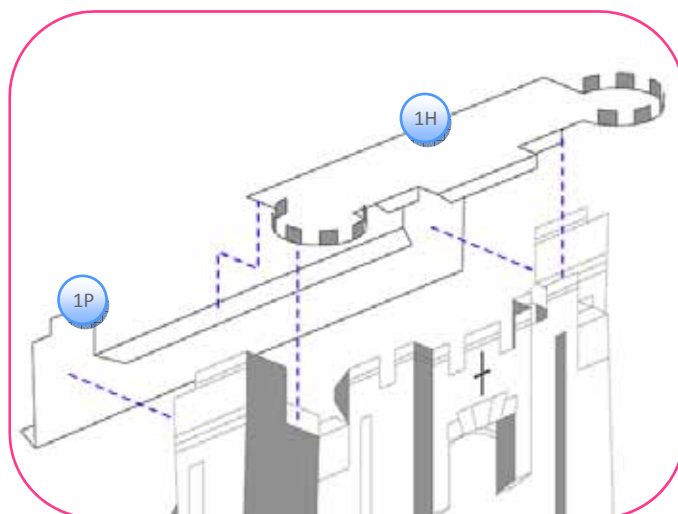
1. Punch holes before cutting pieces 2A & 2B out. Use a toothpick to widen the holes until the toothpick slides through snugly. Assemble 2A & 2B to their selves as shown. The printed sides of pieces 2A face inward.
2. Glue pieces 2A to the back of 1A.
3. Insert pieces 2B into the slots of 1A and align the holes.



4. Cut 2 short rods (1/4 ") from a toothpick. Insert the rods through the holes to lock pieces 2B, allowing them to move up and down. Cut 4 tiny squares of paper and glue them to the ends of both rods to prevent them from sliding out.

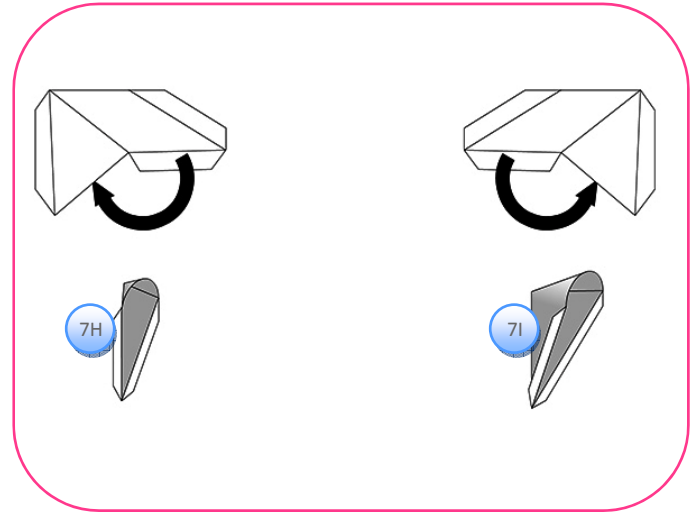
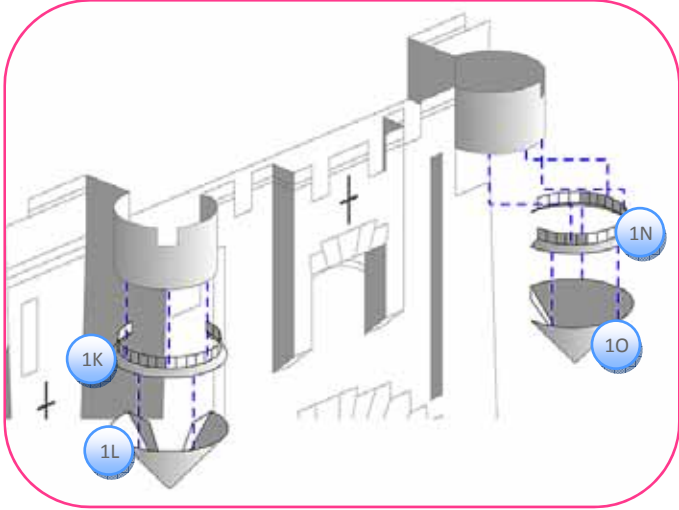


5. Glue piece 1C to the inside to 1B. Then glue the whole thing to the front of piece 1A.
6. Glue pieces 1E-G as shown.

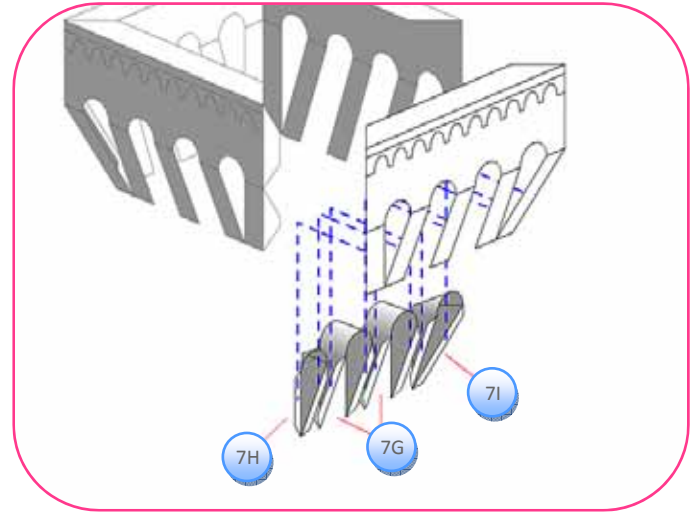


## SLEEPING BEAUTY CASTLE

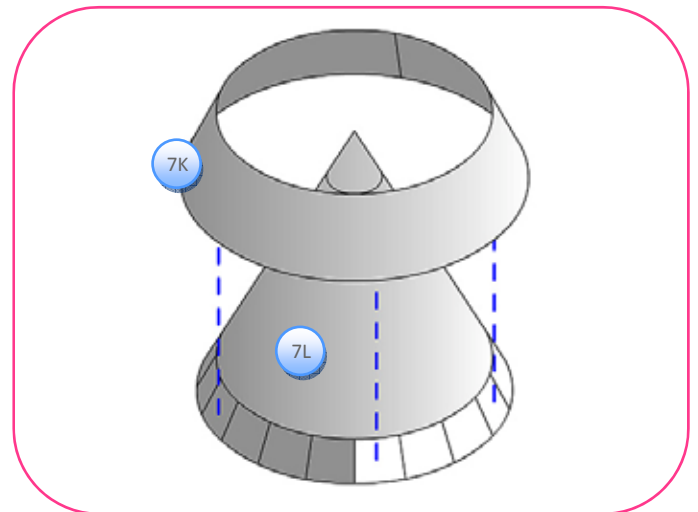
7. Glue piece 1I to the top of the castle entrance, printed side facing inward. Be sure to glue tabs and walls to the unprinted side.
8. Glue pieces 1J and 1M to the outside of piece 1I.



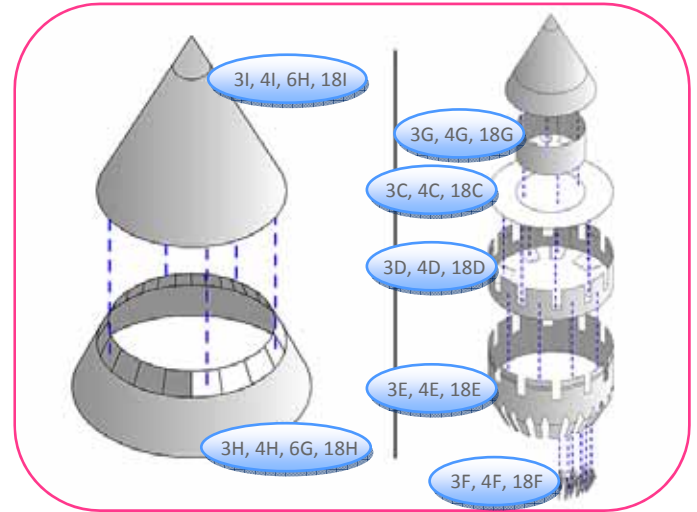
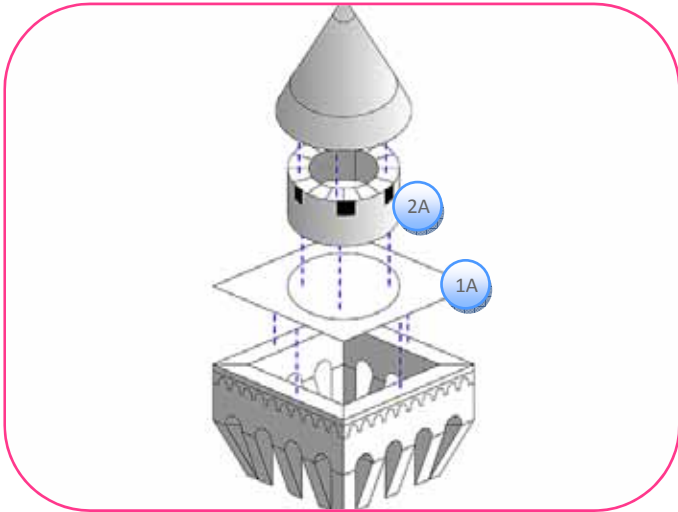
9. Glue pieces 7H and 7I to themselves as shown.



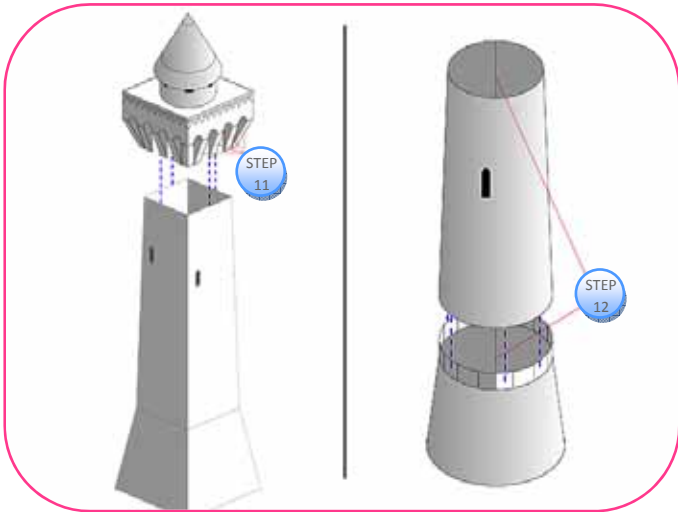
10. Glue pieces 7G-I to the inside of pieces 7E.



## SLEEPING BEAUTY CASTLE



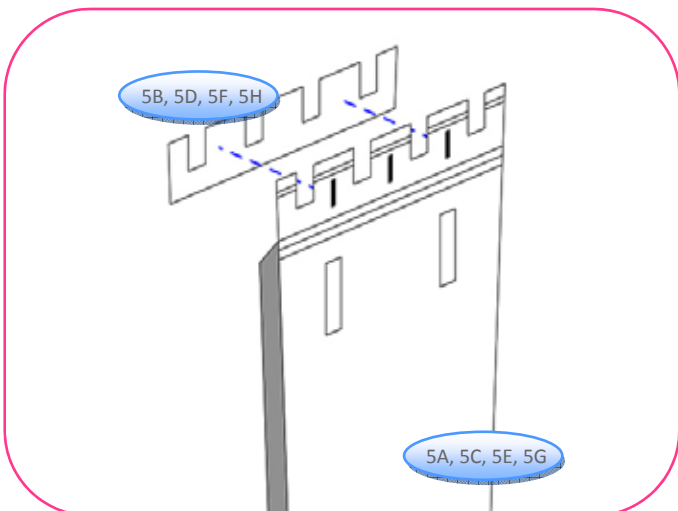
13. Glue pieces 3F, 4F, and 18F to the inside of pieces 3E, 4E, and 18E.



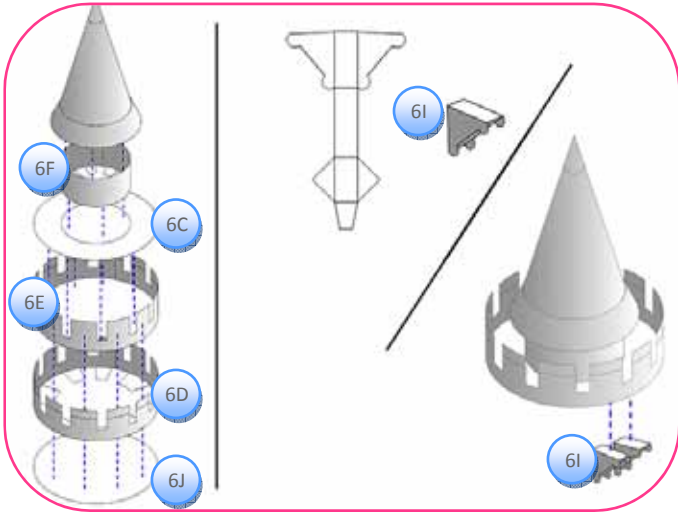
11. After the glue has dried, you may have to glue the "fingers" of the turret assembly to the base assembly.  
12. For pieces 18A and 18B, it's important to line up the seams.



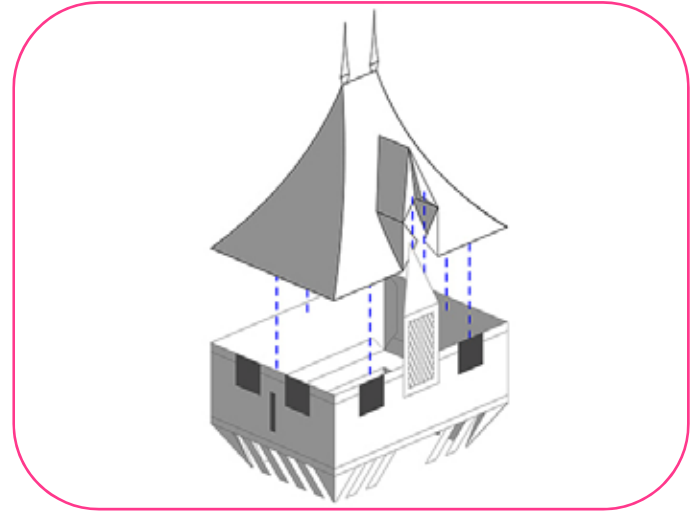
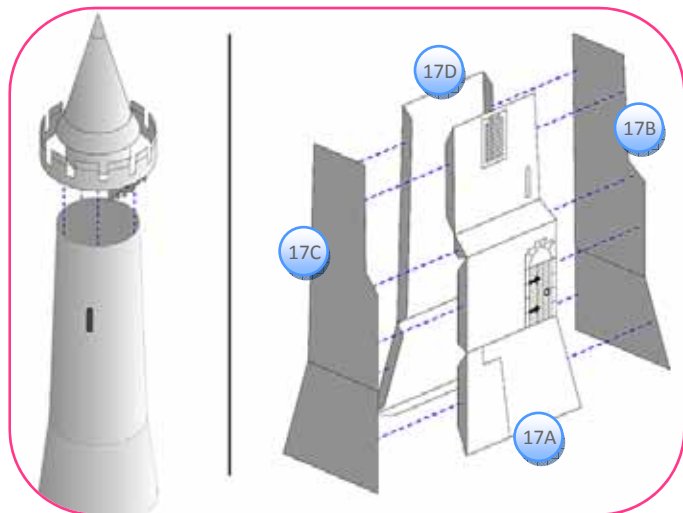
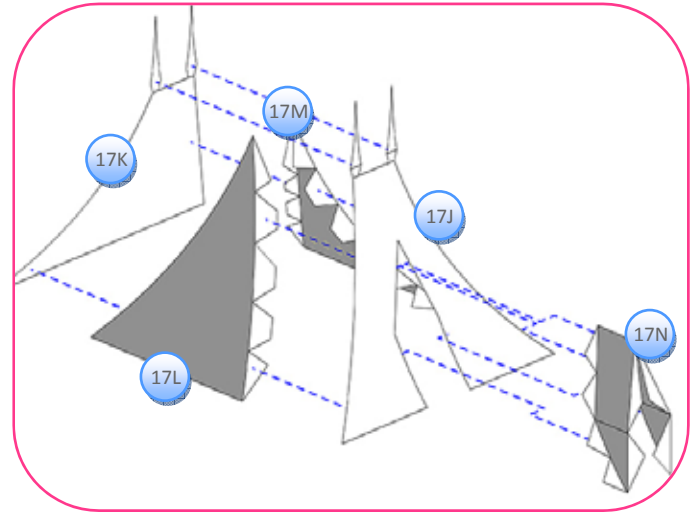
14. Glue the turret assembly over the top of the base assembly.  
15. After the glue has dried, you may have to glue the "fingers" of the turret assembly to the base assembly.



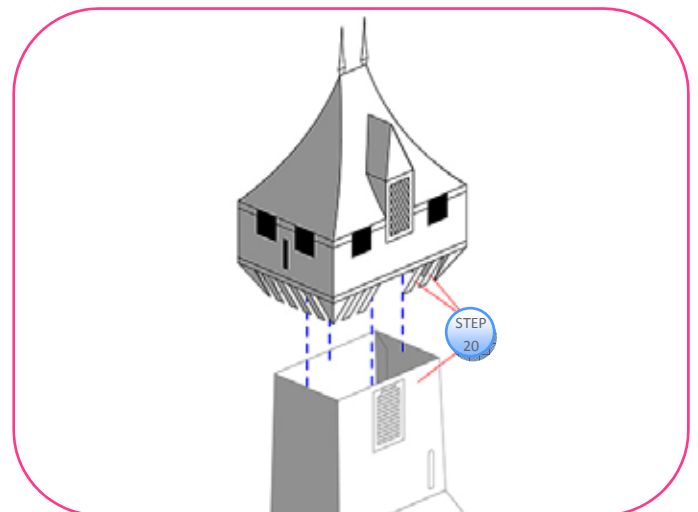
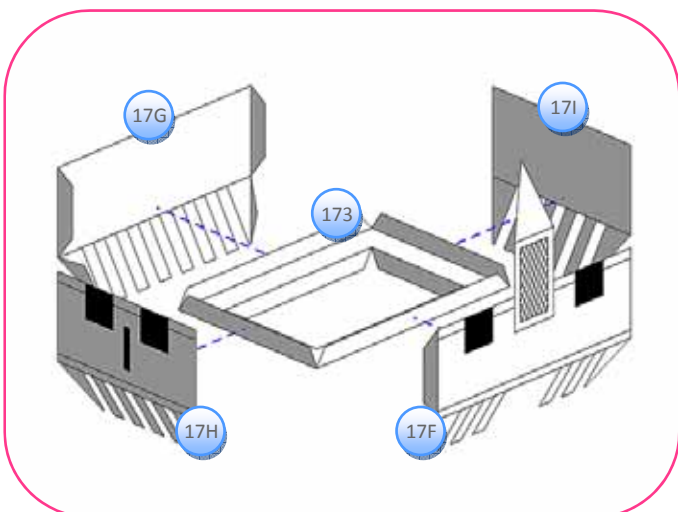
## SLEEPING BEAUTY CASTLE



16. Glue pieces 6I to their selves as shown.  
 17. Glue pieces 6I to the underside of 6J.



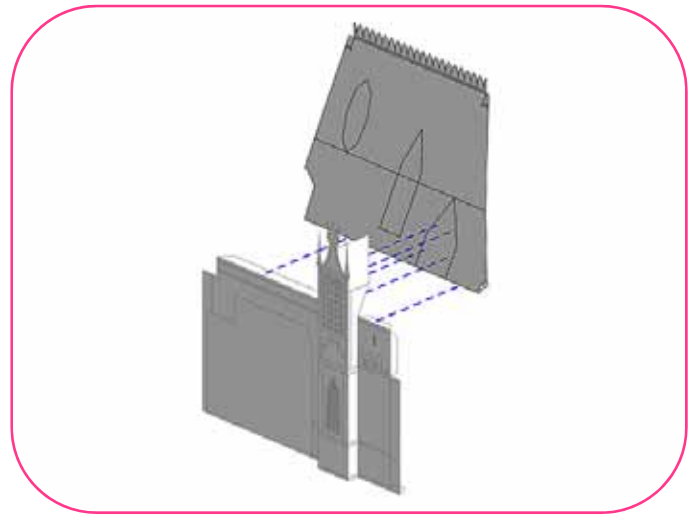
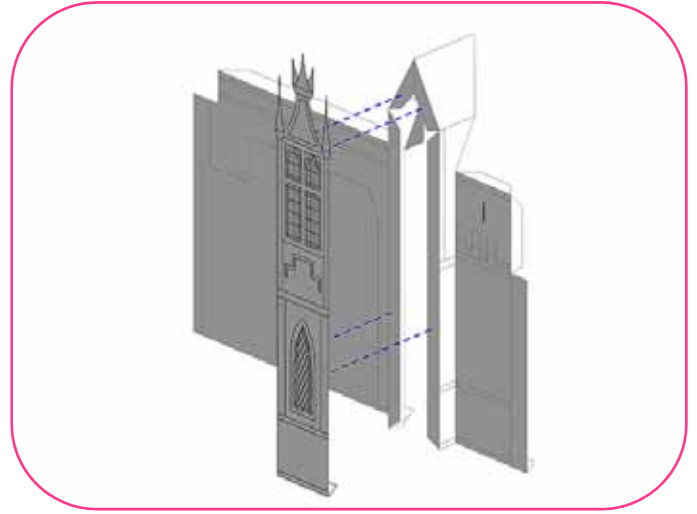
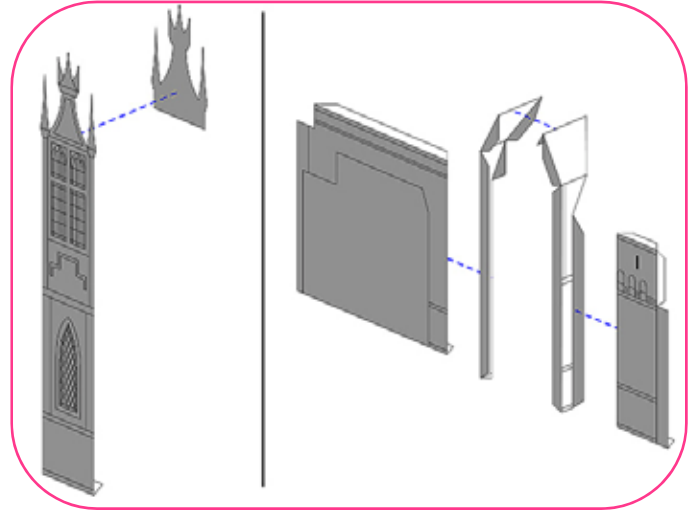
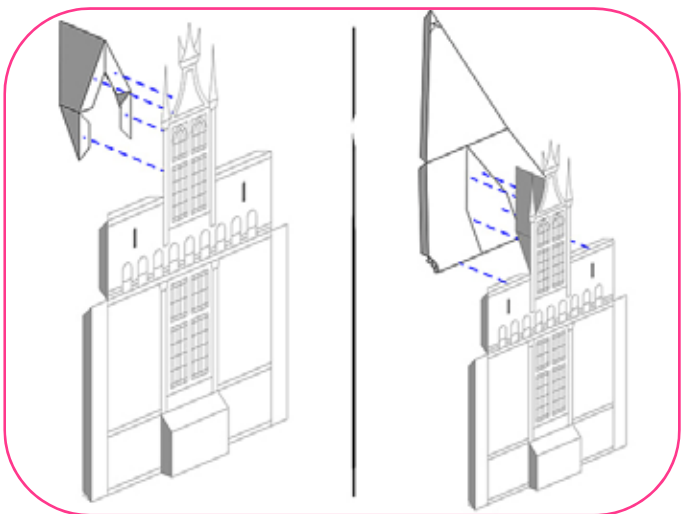
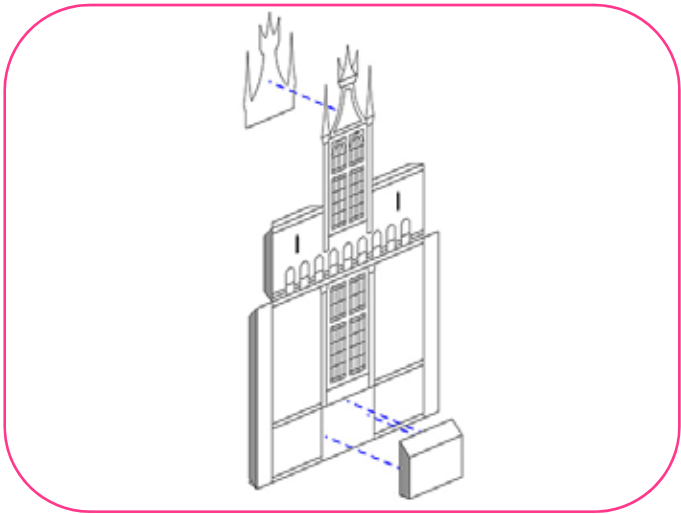
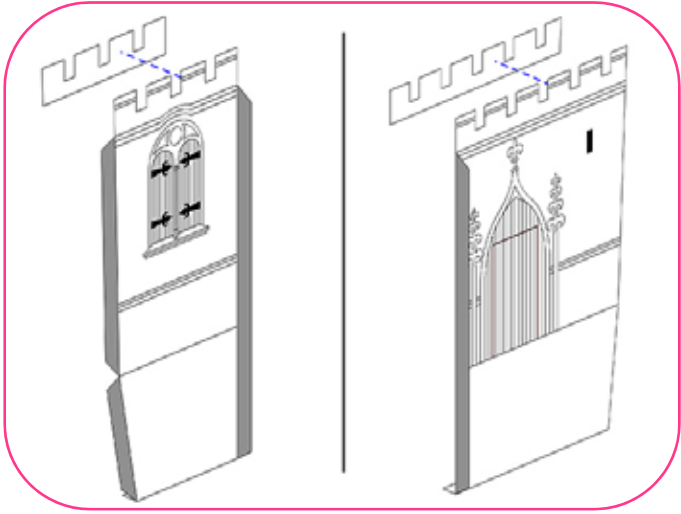
18. Glue the roof assembly over the top of the turret assembly.  
 The roof will have an overhang.



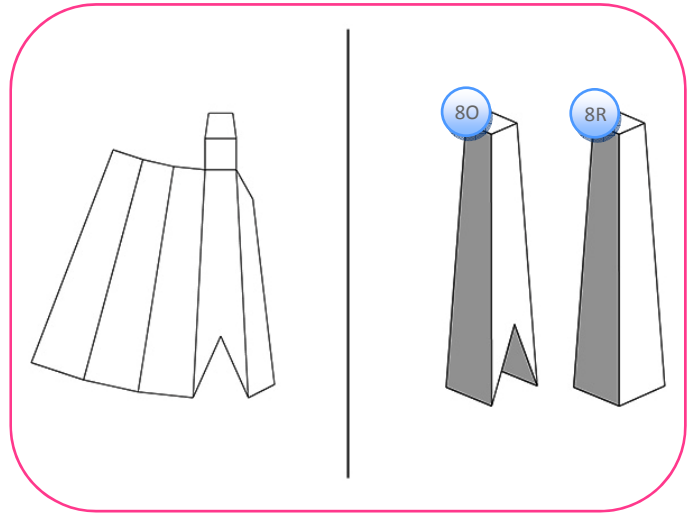
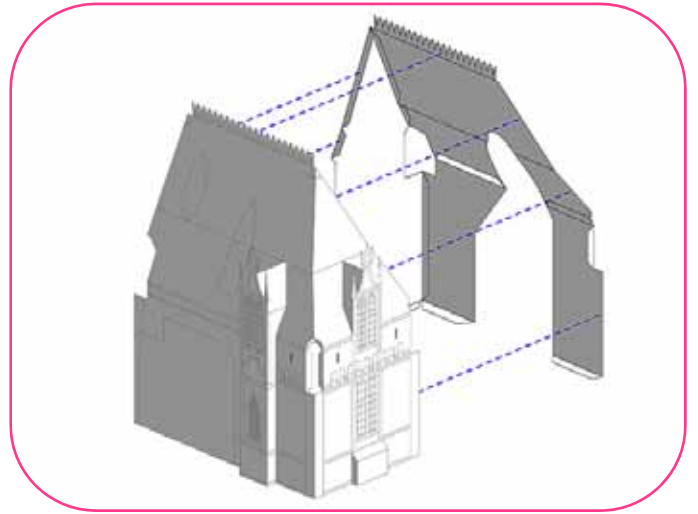
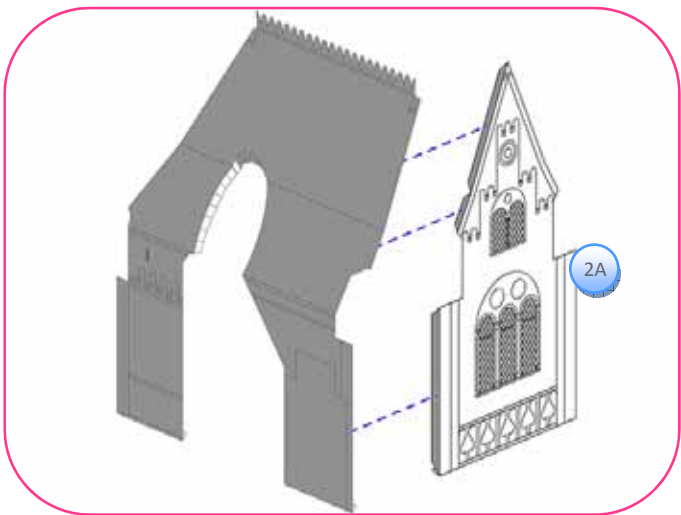
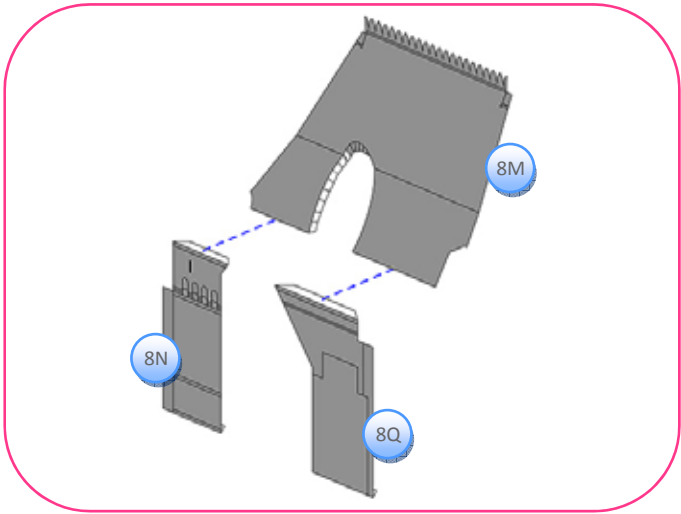
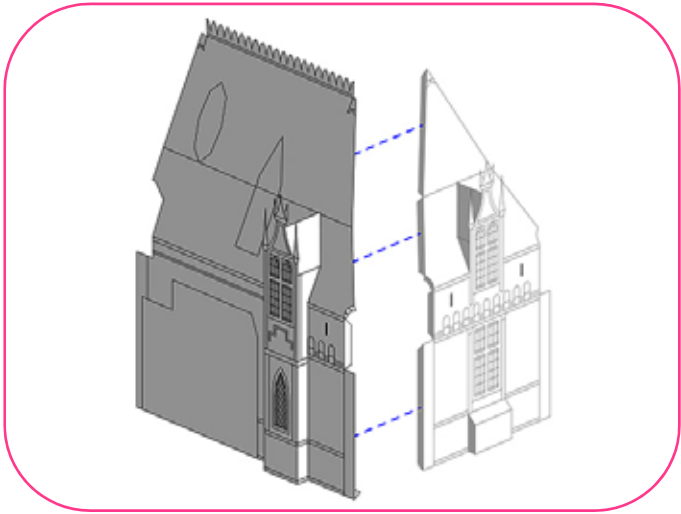
19. Glue piece 17E (underside of turret assembly) to the inside of the tower base assembly.

## SLEEPING BEAUTY CASTLE

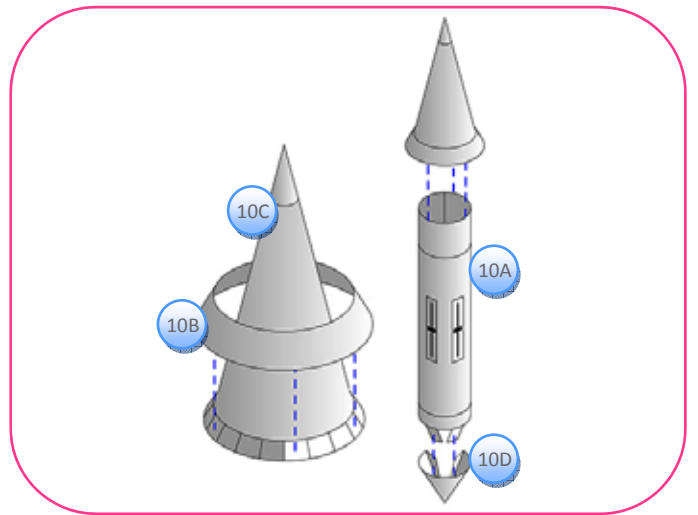
20. Glue the "fingers" of the turret assembly to the sides of the base assembly.



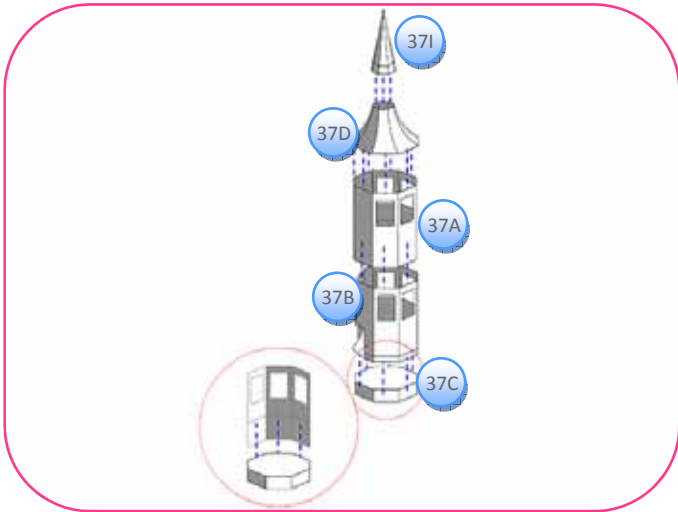
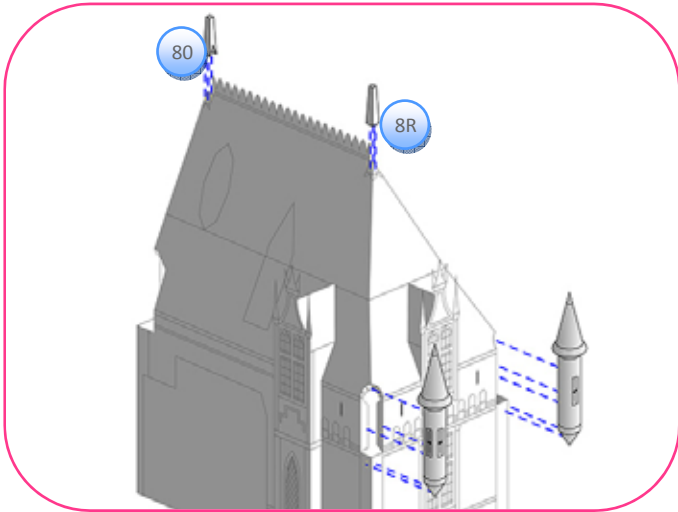
## SLEEPING BEAUTY CASTLE



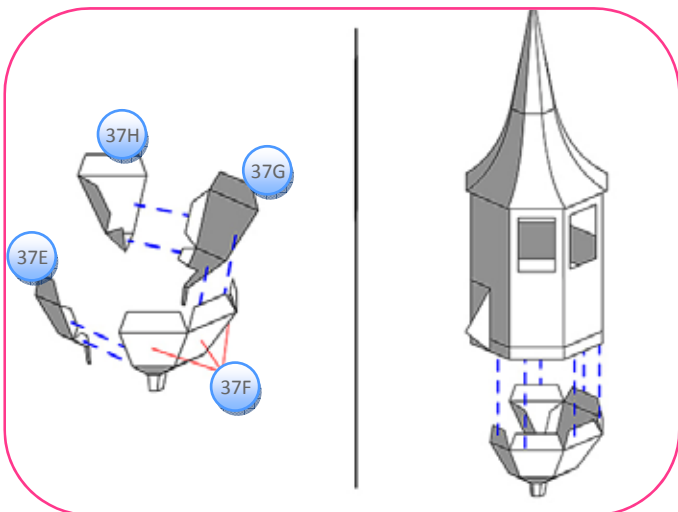
21. Glue pieces 8O and 8R to themselves as shown.



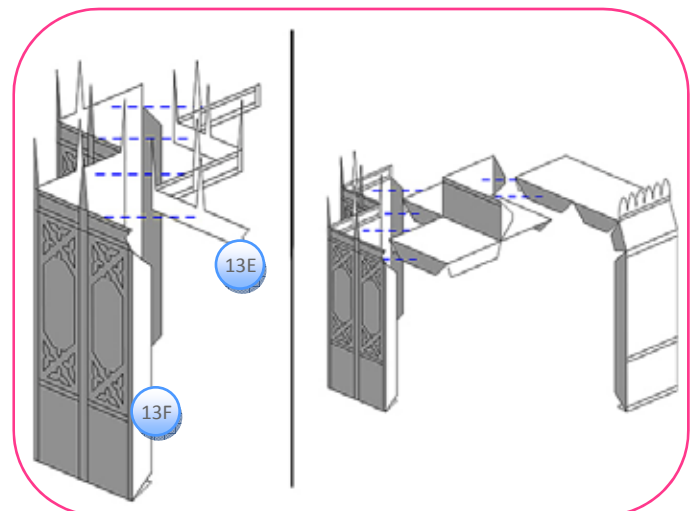
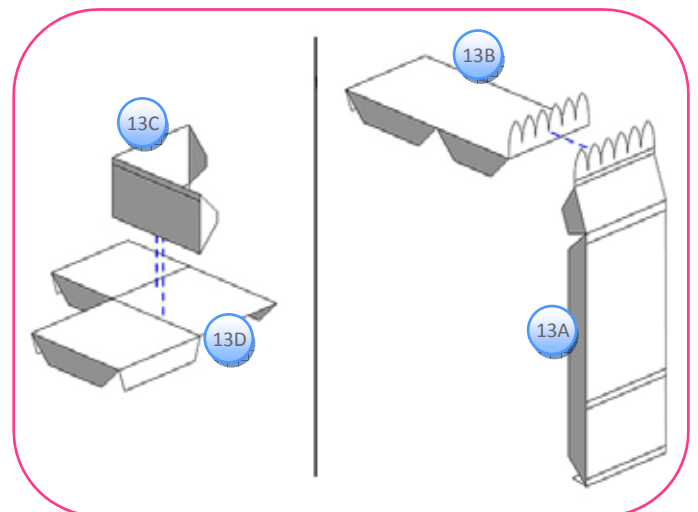
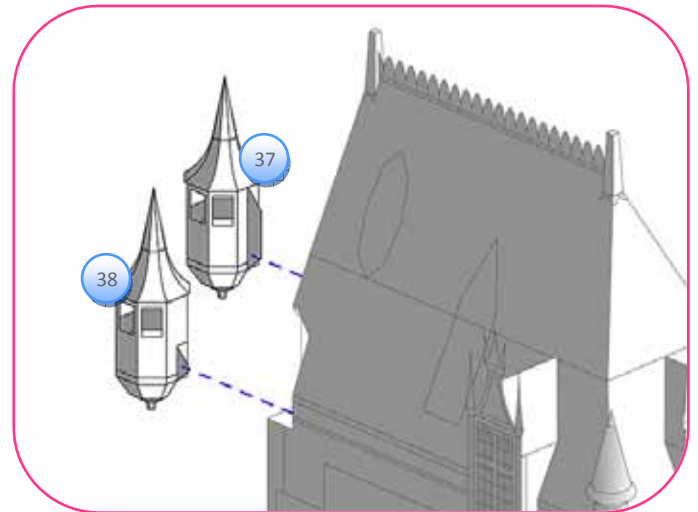
## SLEEPING BEAUTY CASTLE



22. Glue piece 37I to itself as shown.
23. Glue pieces 37D to their selves as shown.
24. Glue piece 37B to the outside of 37A.
25. Glue piece 37C to the white area inside of piece 37A.

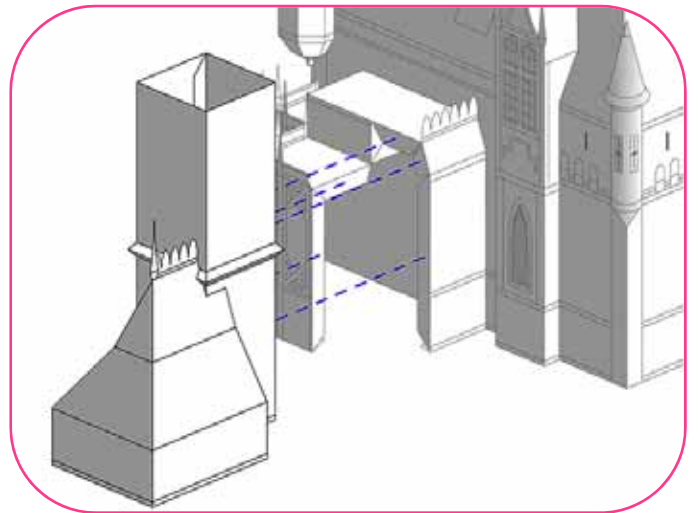
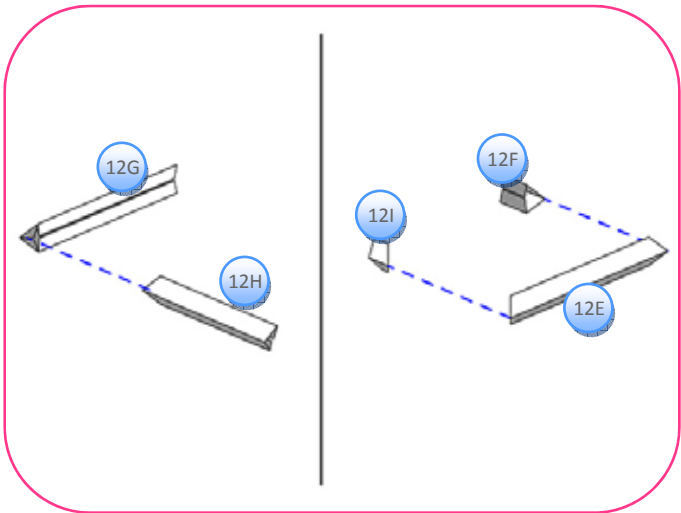
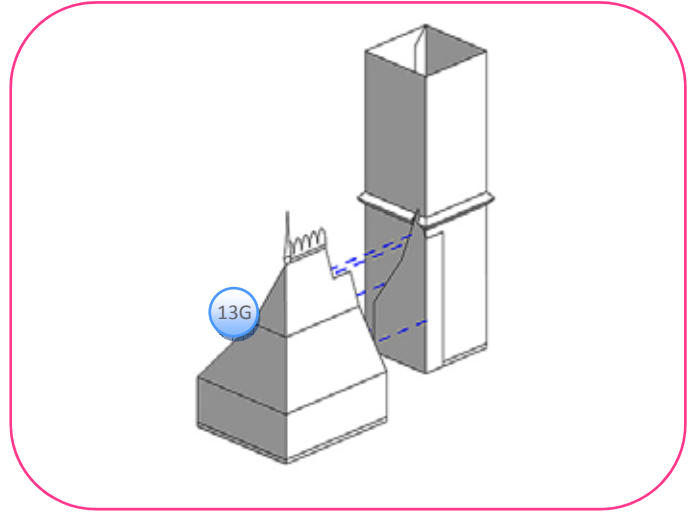
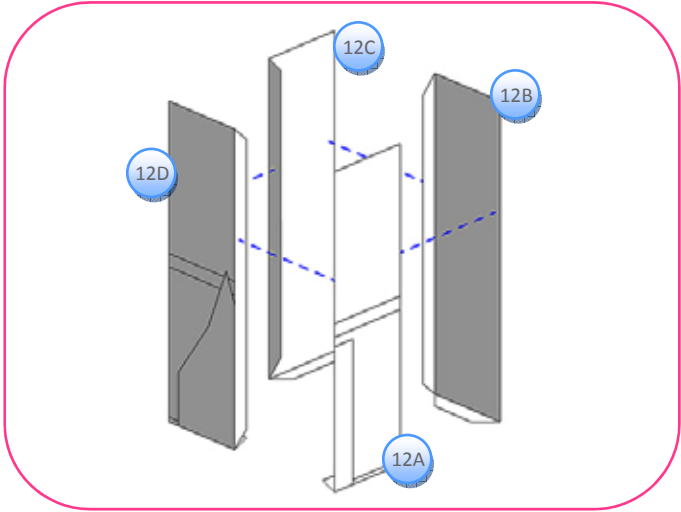
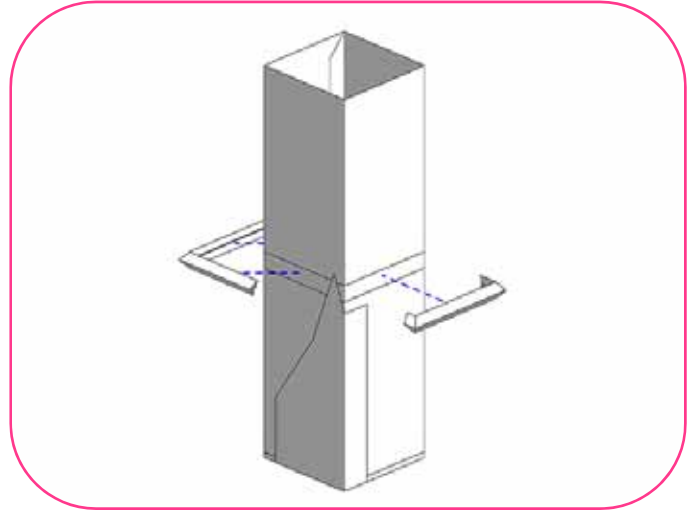
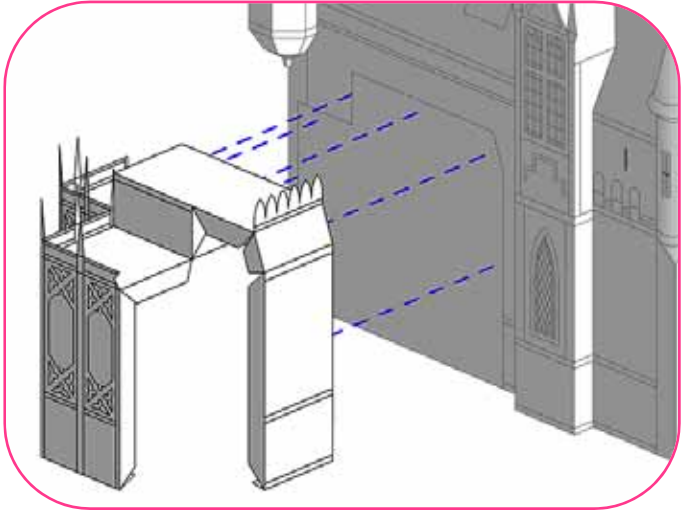


26. Glue pieces 37E-I to themselves as shown.
27. Repeat steps 22-26 for pieces 38A-H. The pieces are mirror copies, creating a mirror turret assembly.

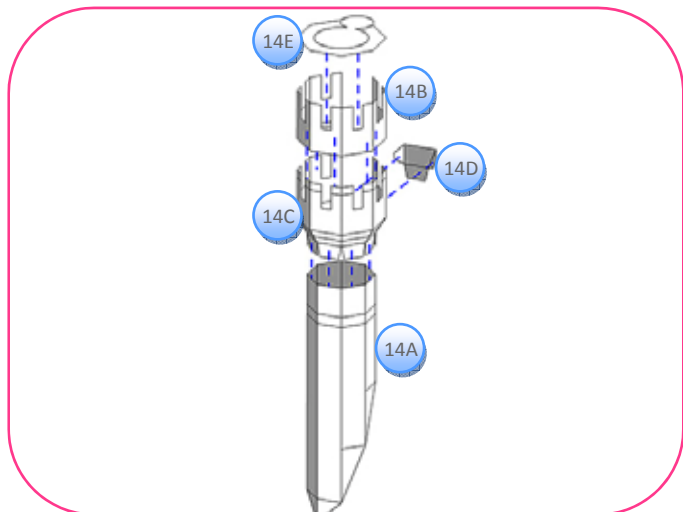




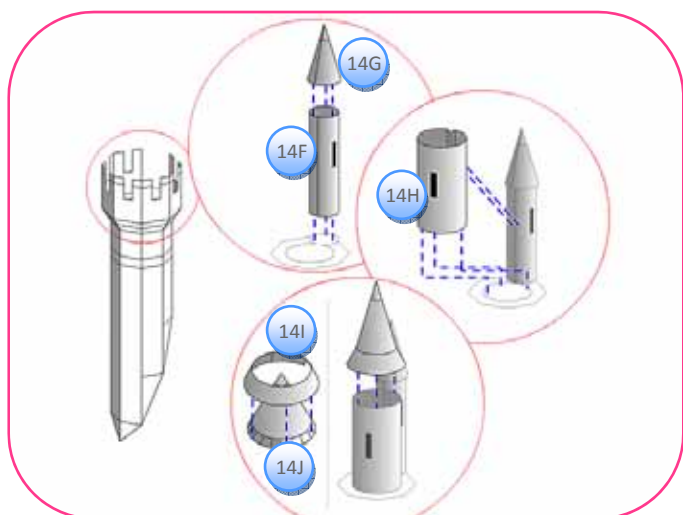
SLEEPING BEAUTY CASTLE



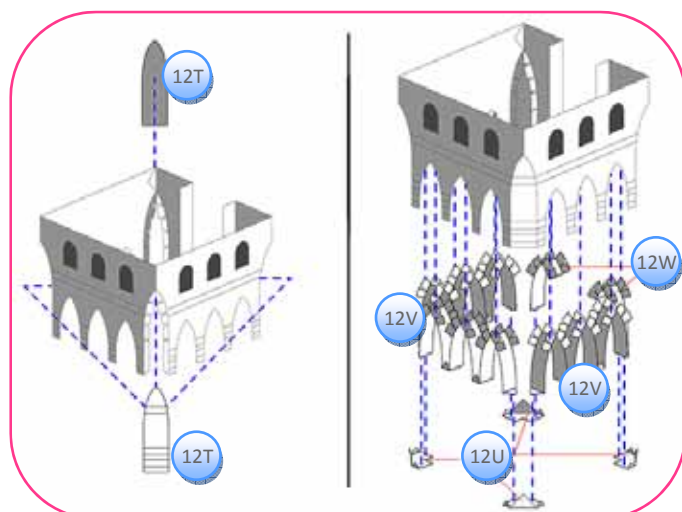
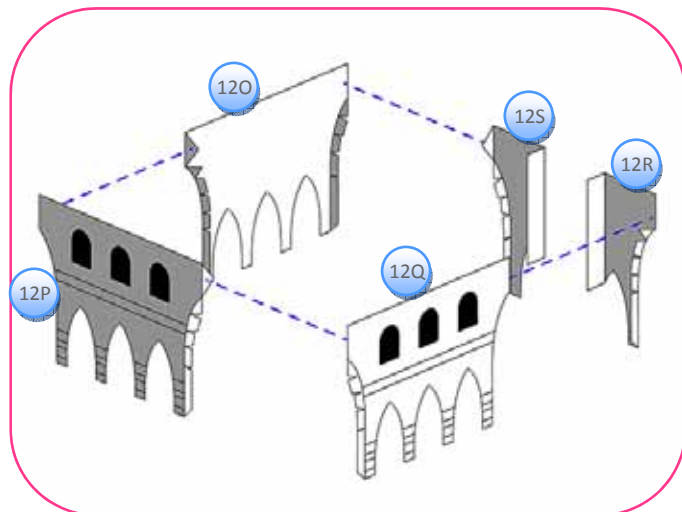
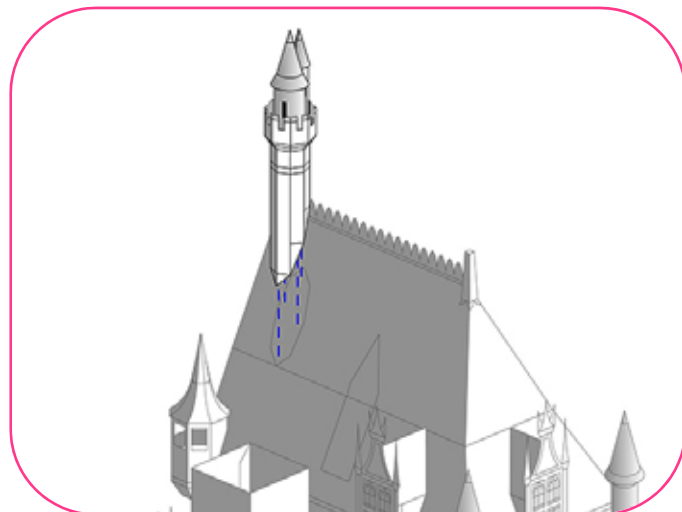
## SLEEPING BEAUTY CASTLE



28. Glue piece 14C to the outside of piece 14B.  
29. Glue piece 14D to piece 14C.

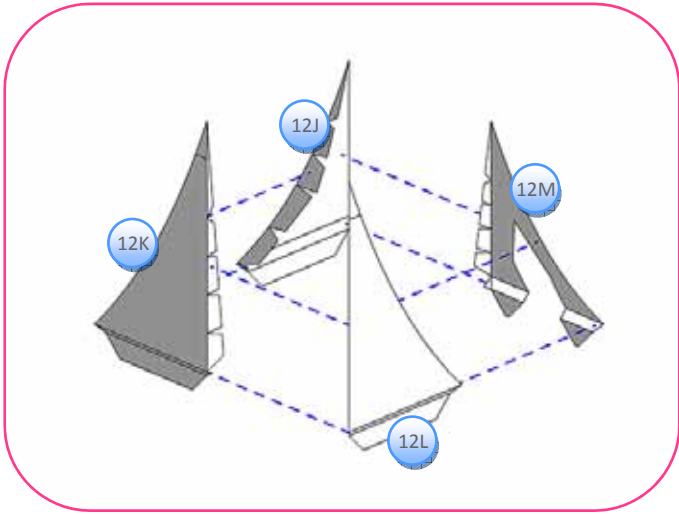


30. Glue piece 14F to piece 14E. Make sure that the seam of 14F faces inward.  
31. Glue piece 14H to pieces 14E and 14F.  
32. Glue piece 14J to piece 14I. Make sure that the missing tab on 14J is aligned with the notch on 14I.  
33. Glue the turret roof assembly to the top of piece 14H. The smaller turret will fit snugly inside the notch.

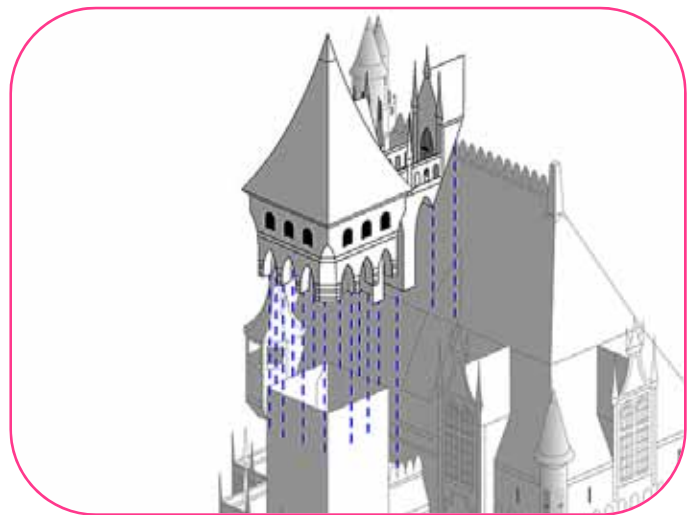
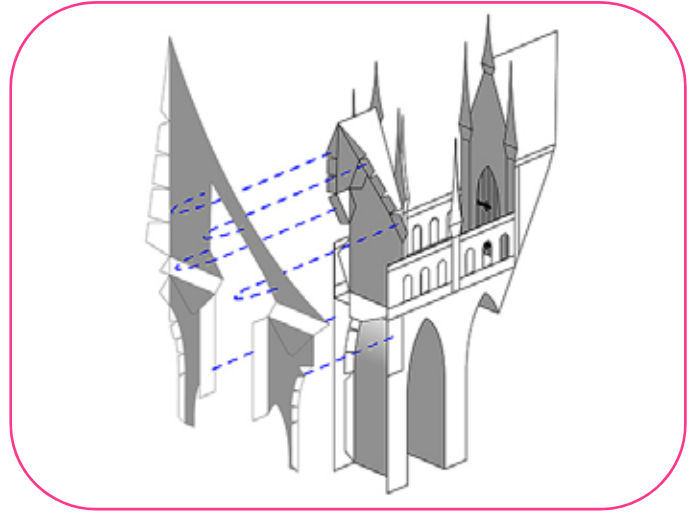
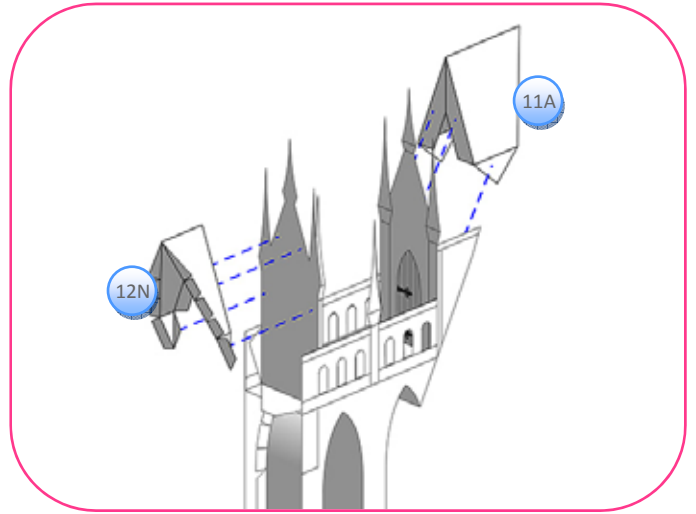
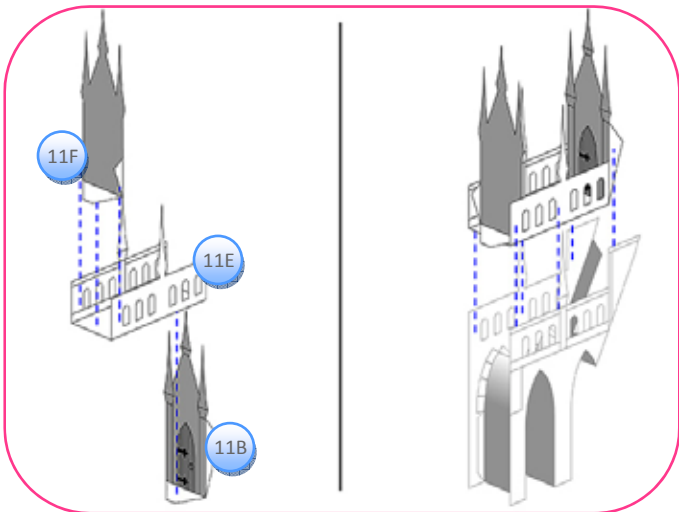
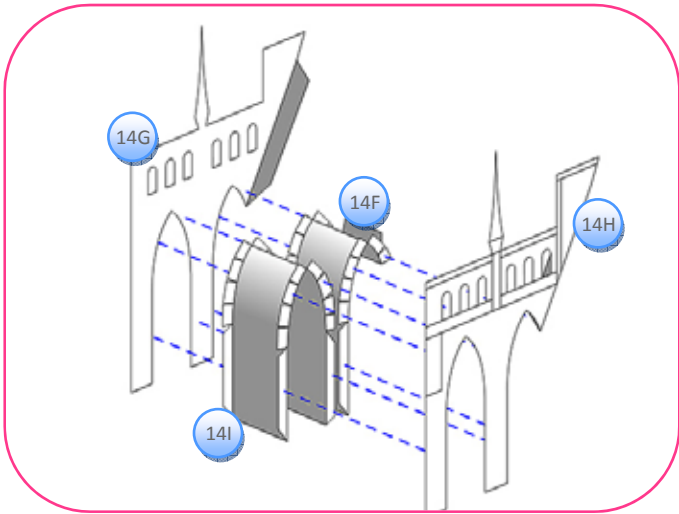


34. Glue pieces 12V-W to the inside of pieces 12O-S.  
35. Glue pieces 12U to the bottom corners of the turret assembly.

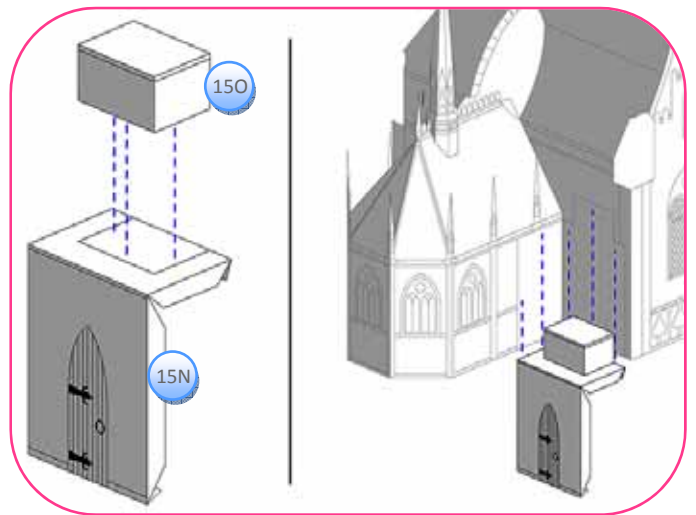
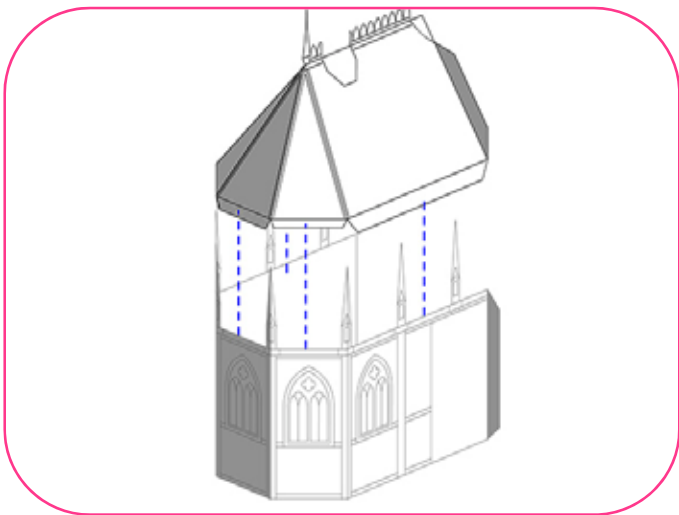
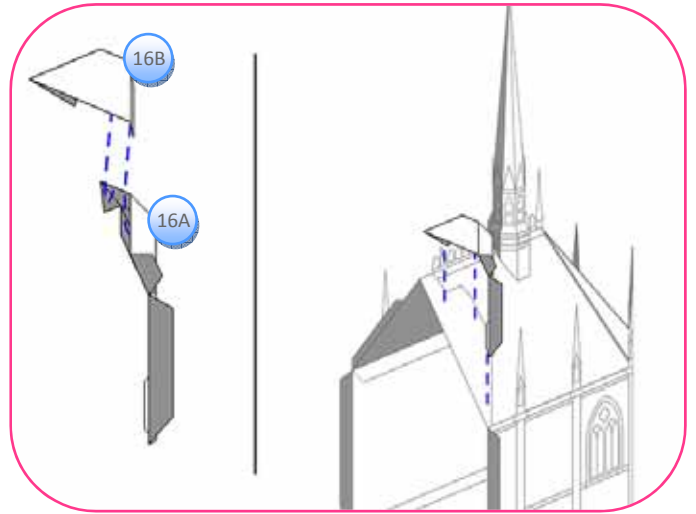
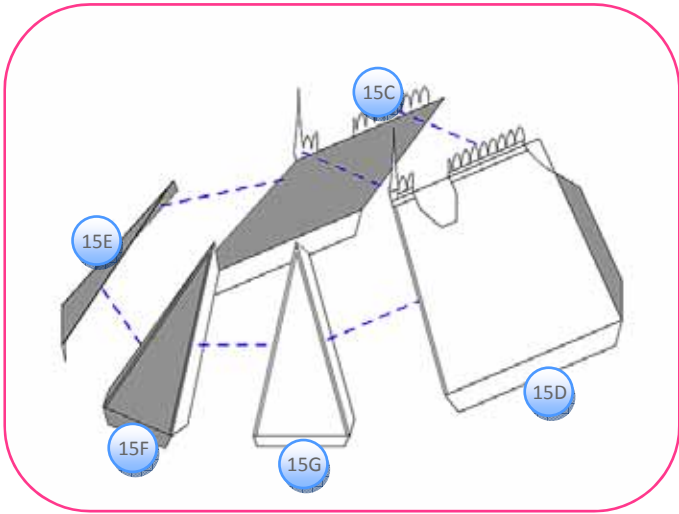
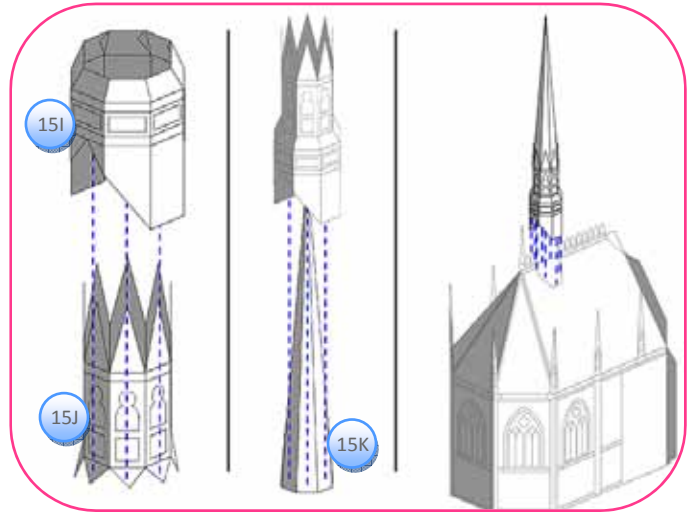
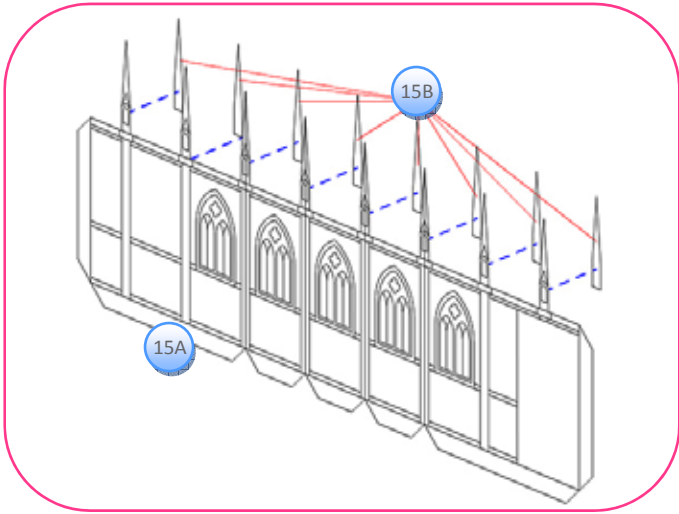
## SLEEPING BEAUTY CASTLE



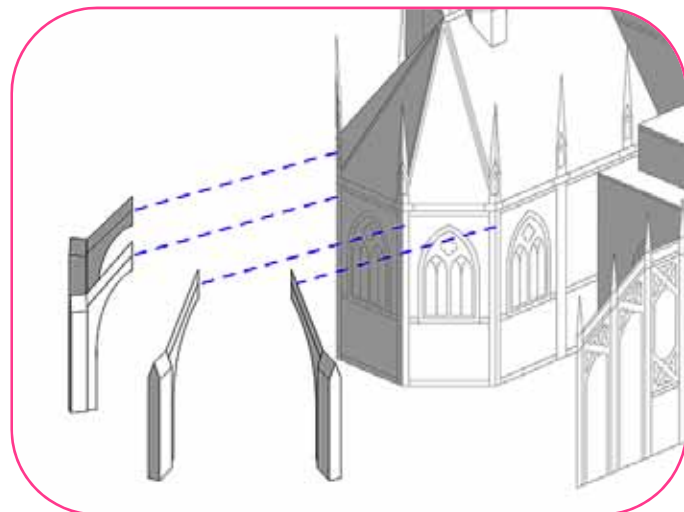
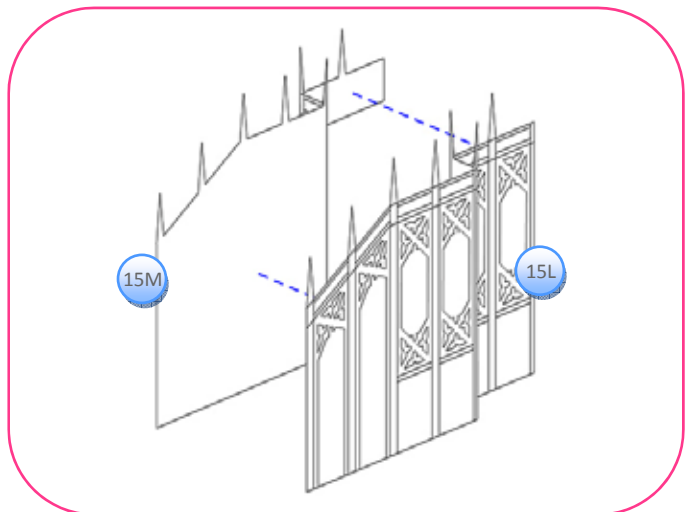
36. Glue pieces 12J-L together, then glue to the top of the square turret.



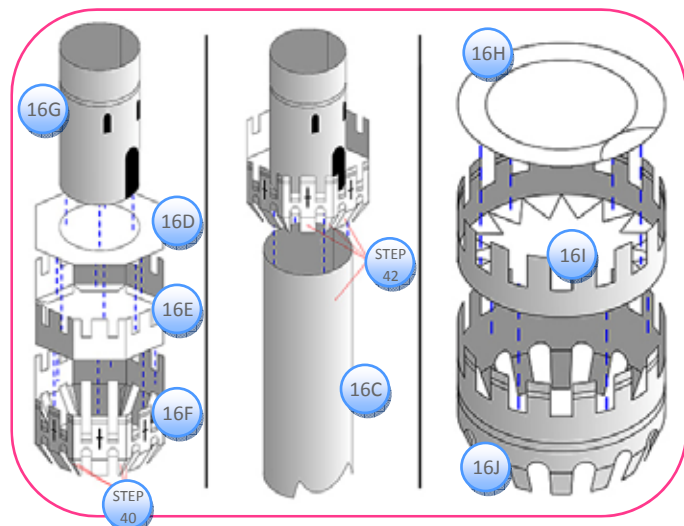
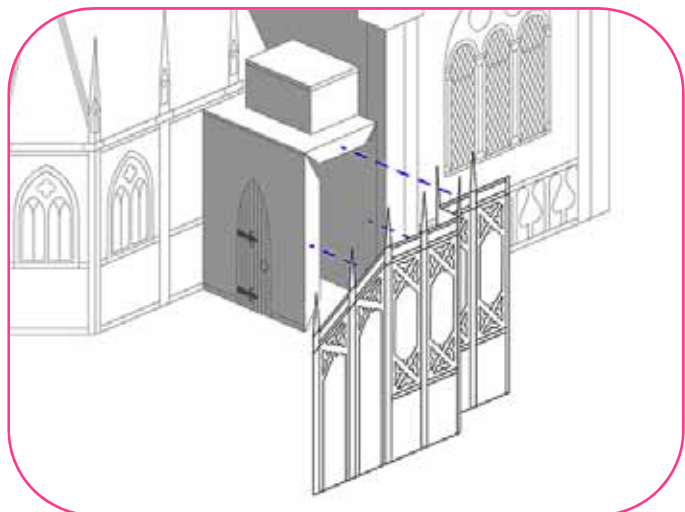
SLEEPING BEAUTY CASTLE



SLEEPING BEAUTY CASTLE



38. Glue pieces 15H to the corners of piece 15A.



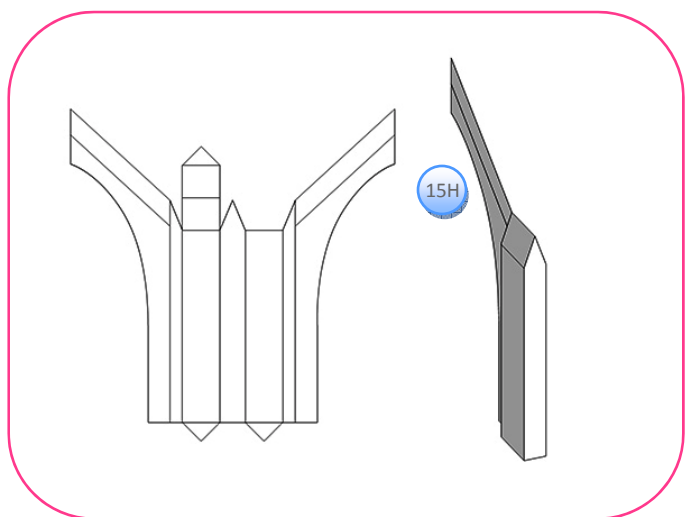
39. Glue piece 16F to the outside of piece 16E.

40. Glue the "fingers" of piece 16F to itself as shown.

41. Glue the lower turret assembly over the top of piece 16C.

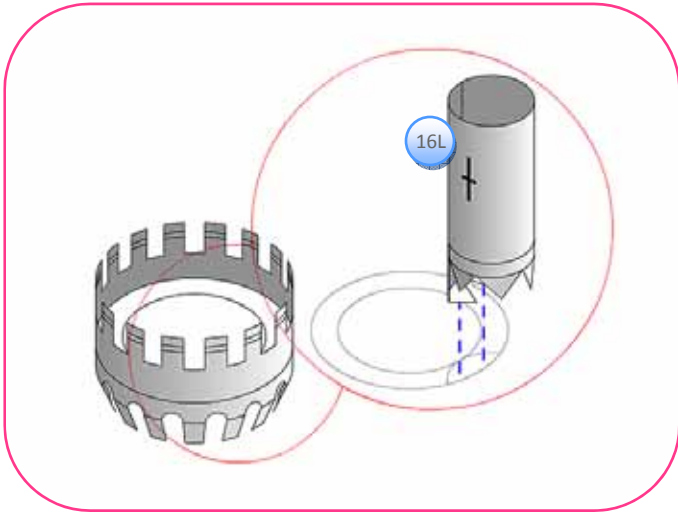
42. Glue the "fingers" of the lower turret assembly to the sides of piece 16C.

43. Glue piece 16I to the inside of piece 16J.

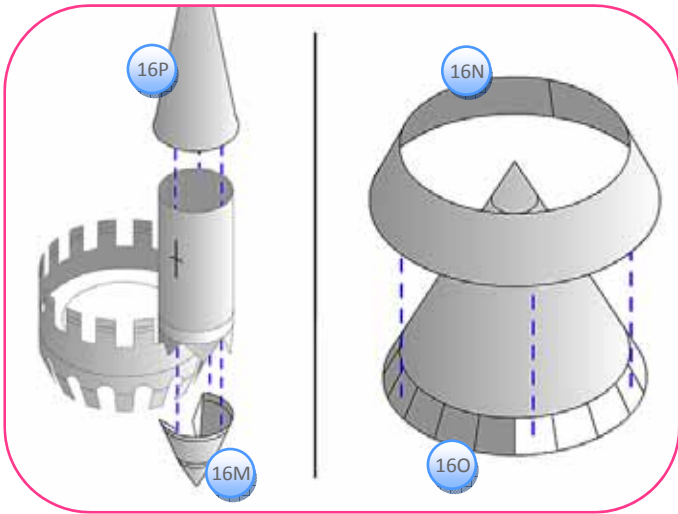


37. Glue pieces 15H to themselves as shown.

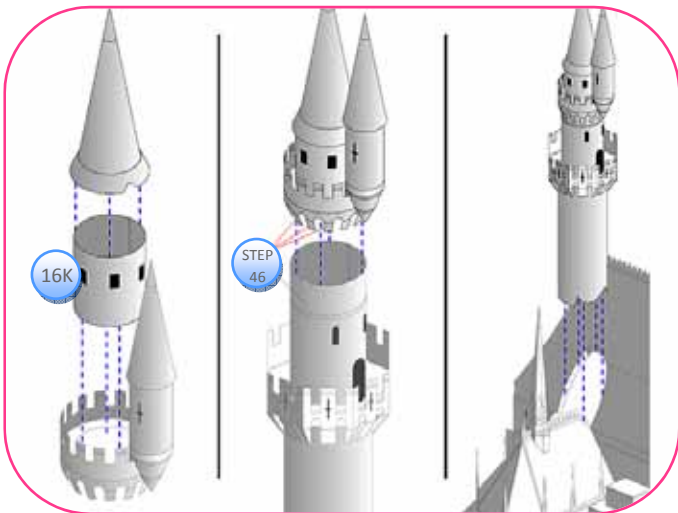
## SLEEPING BEAUTY CASTLE



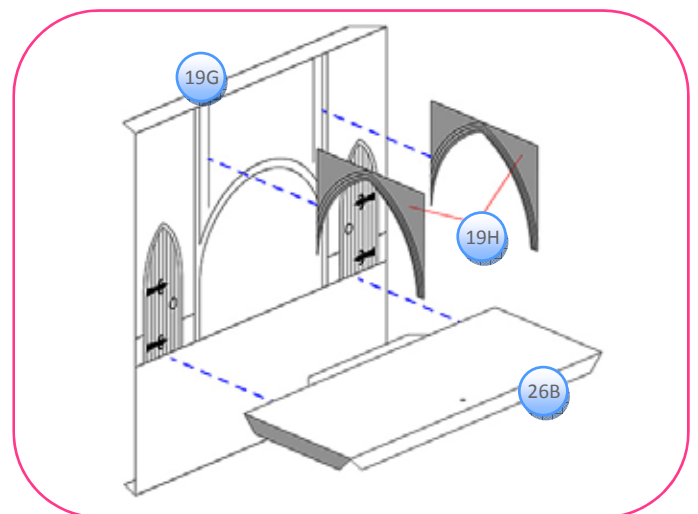
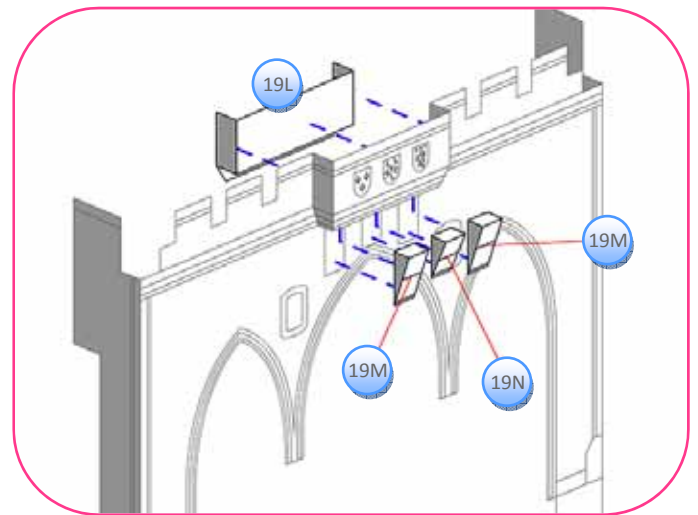
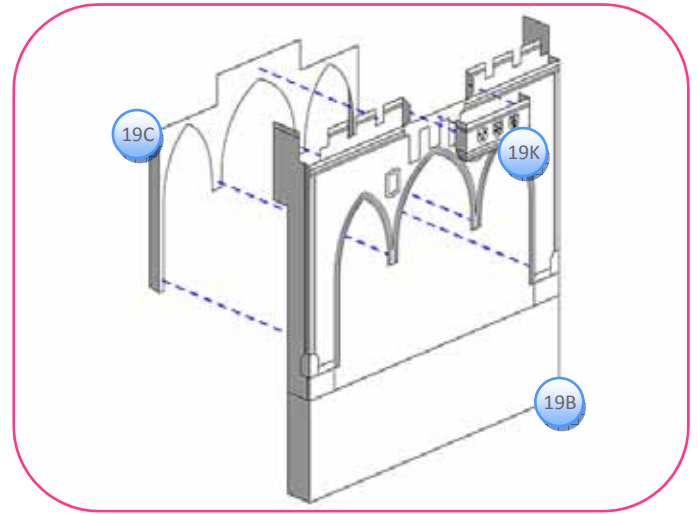
44. Glue piece 16L to the small circle area on piece 16H.



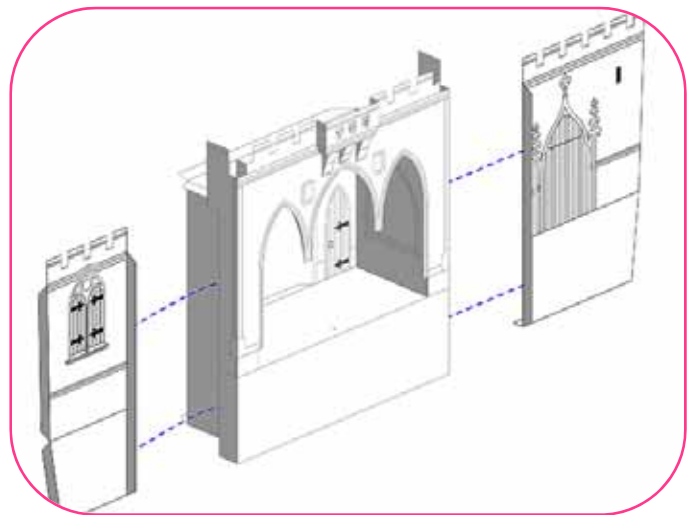
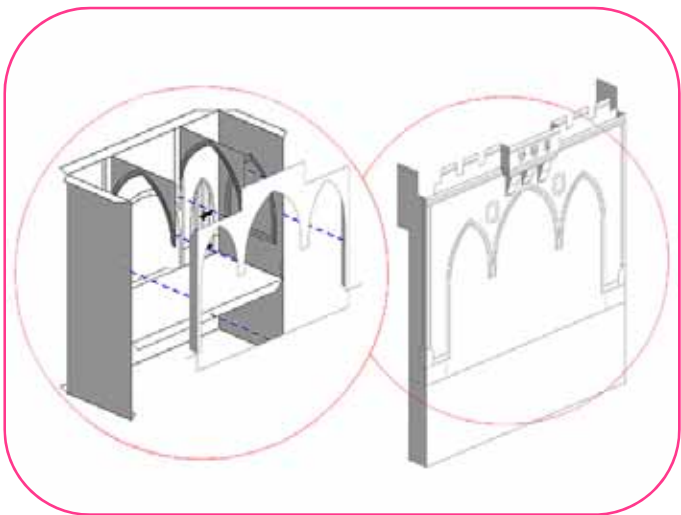
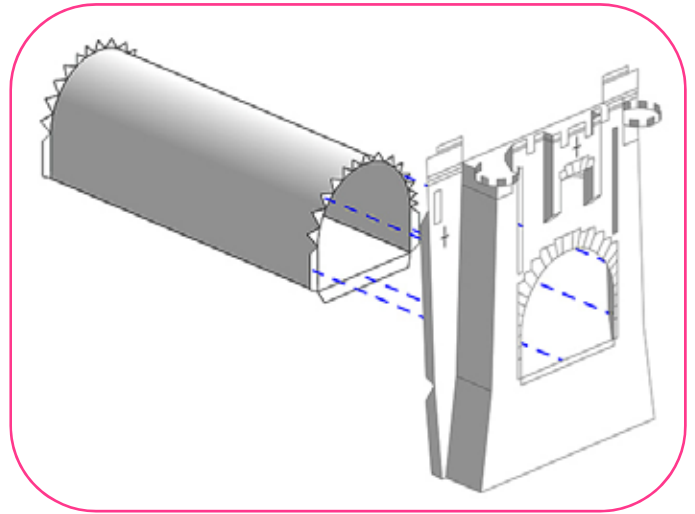
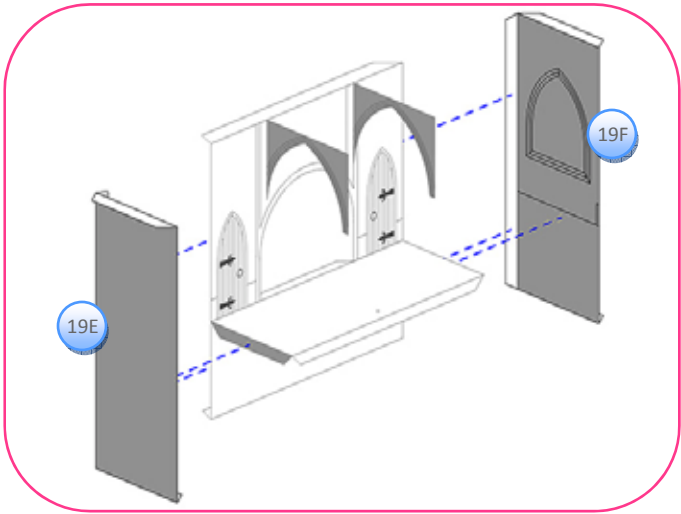
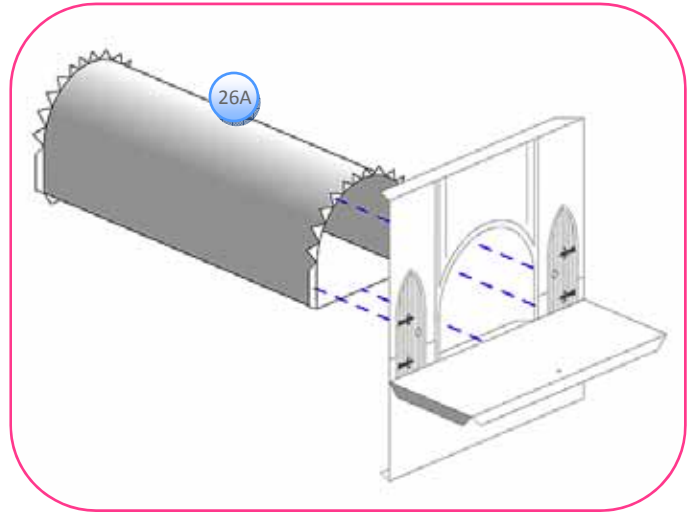
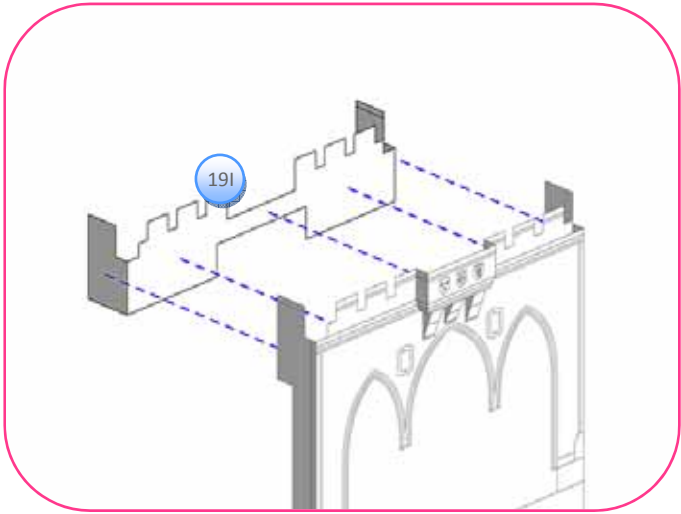
45. Glue the upper turret assembly over the top of the lower turret assembly.



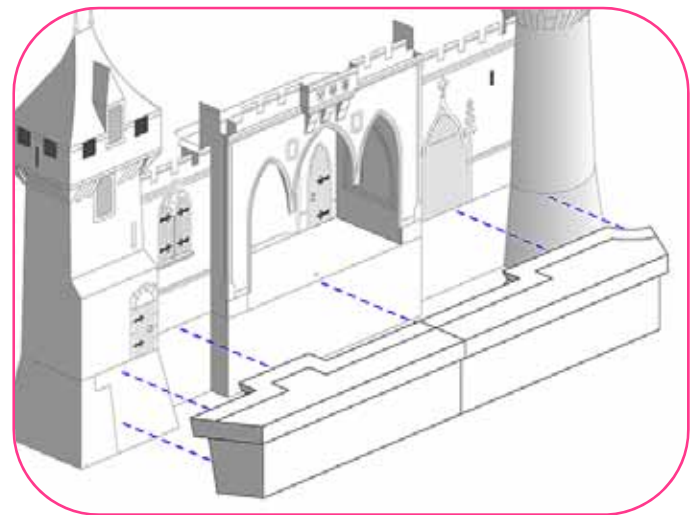
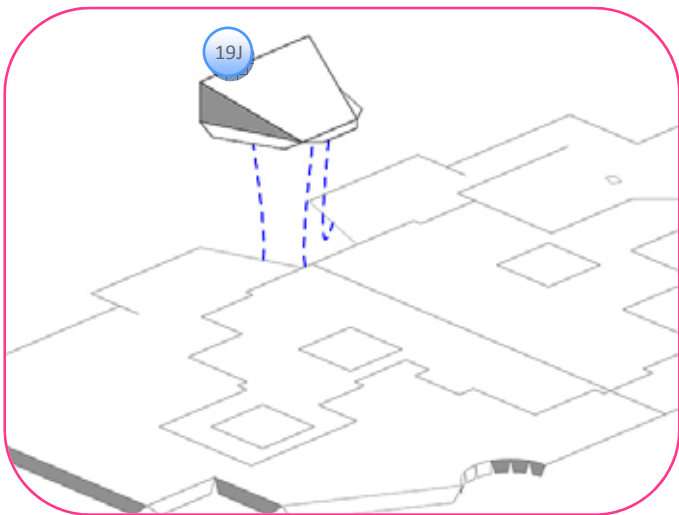
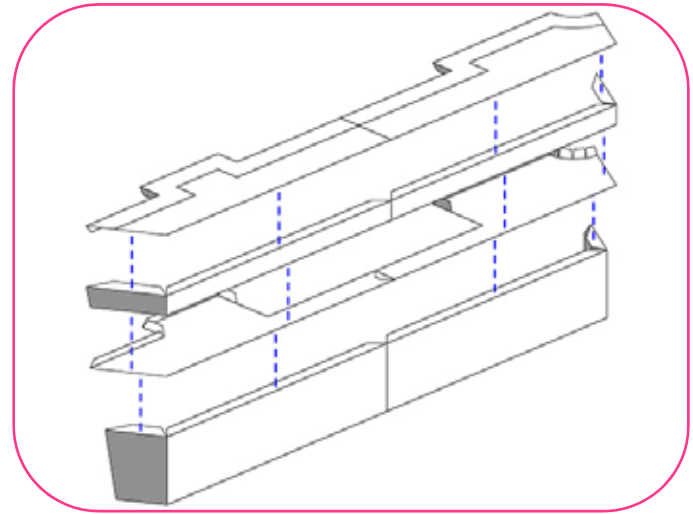
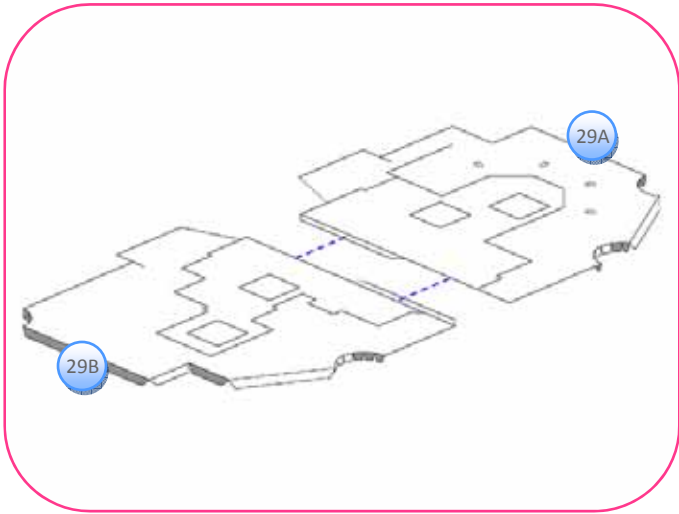
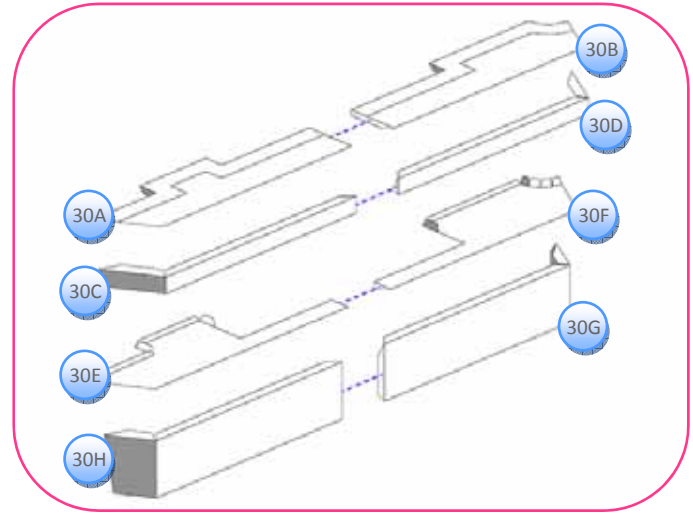
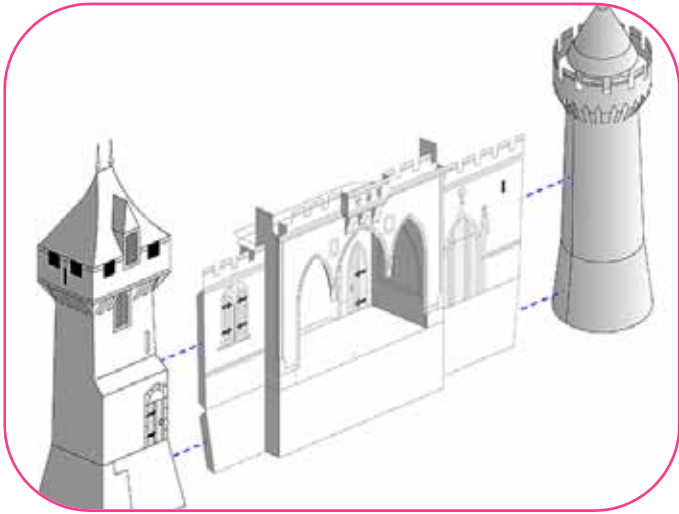
46. Glue the "fingers" of the upper turret assembly to the sides of the lower turret assembly.



SLEEPING BEAUTY CASTLE

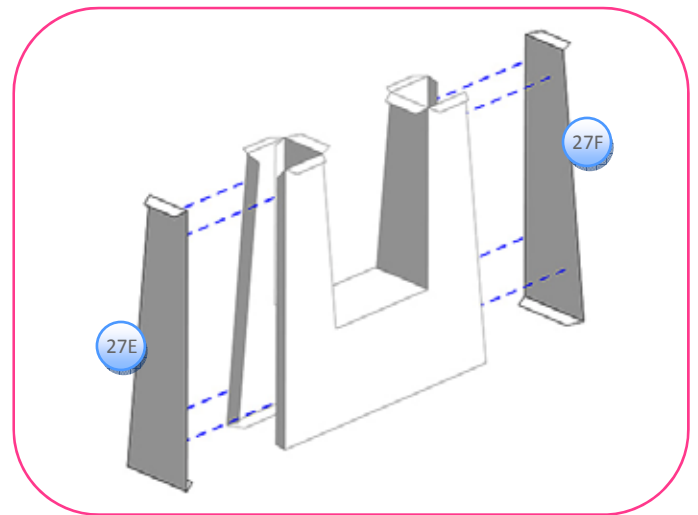
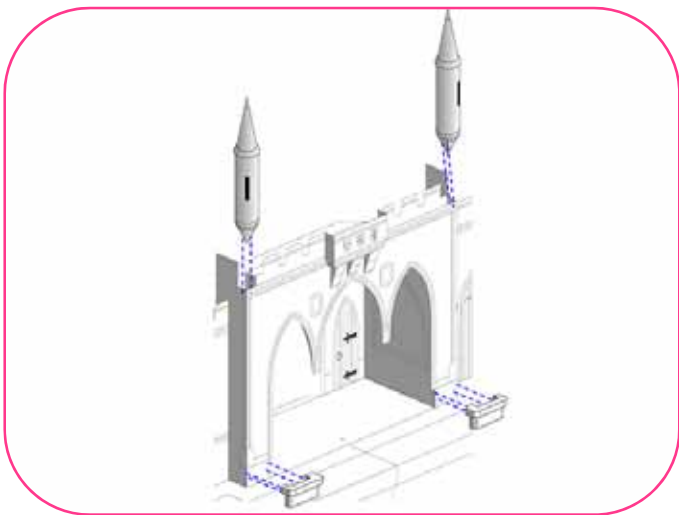
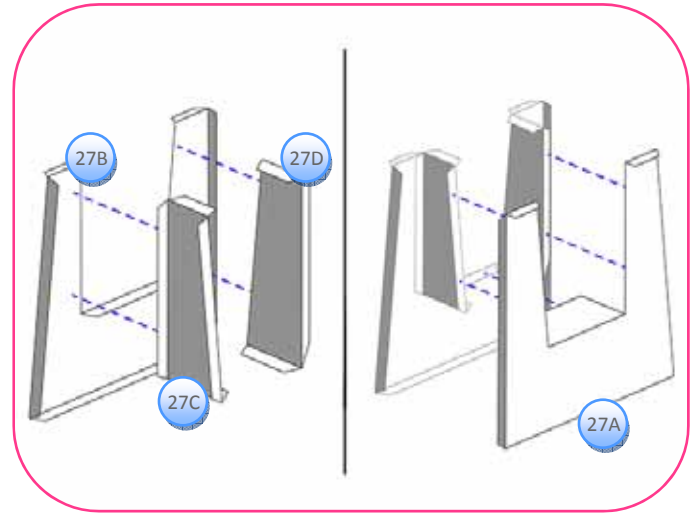
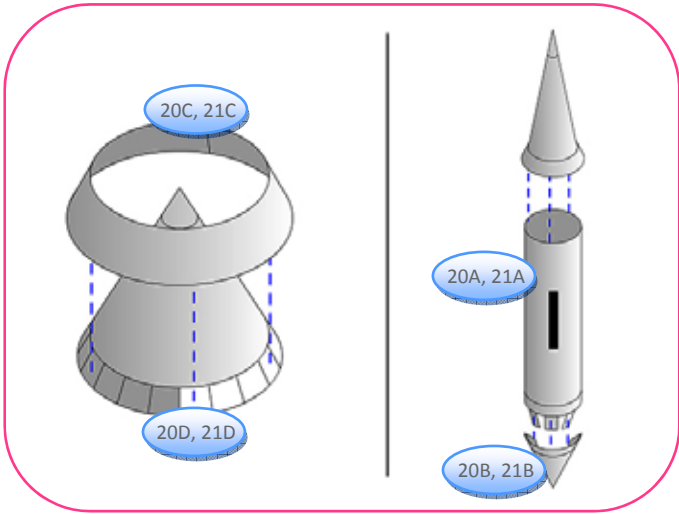
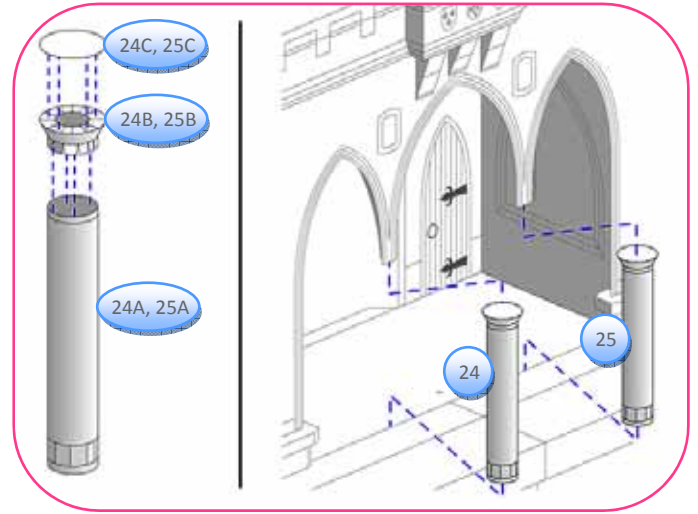
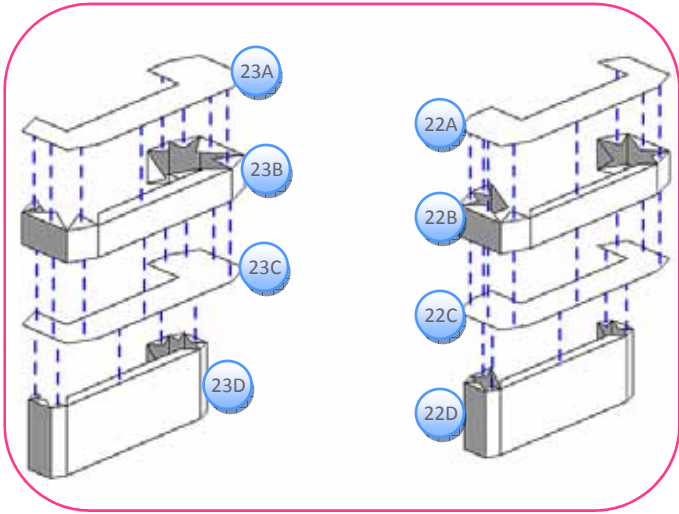


SLEEPING BEAUTY CASTLE

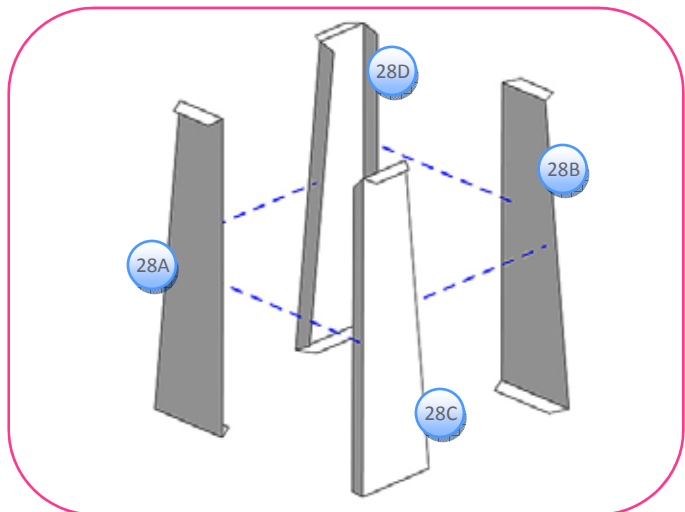




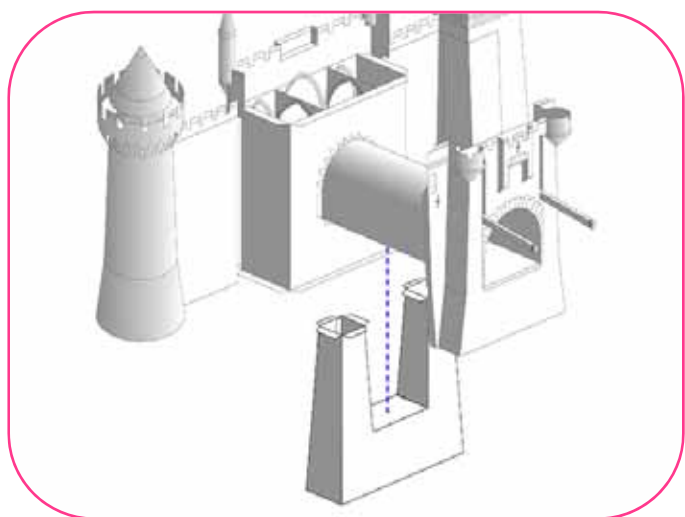
SLEEPING BEAUTY CASTLE



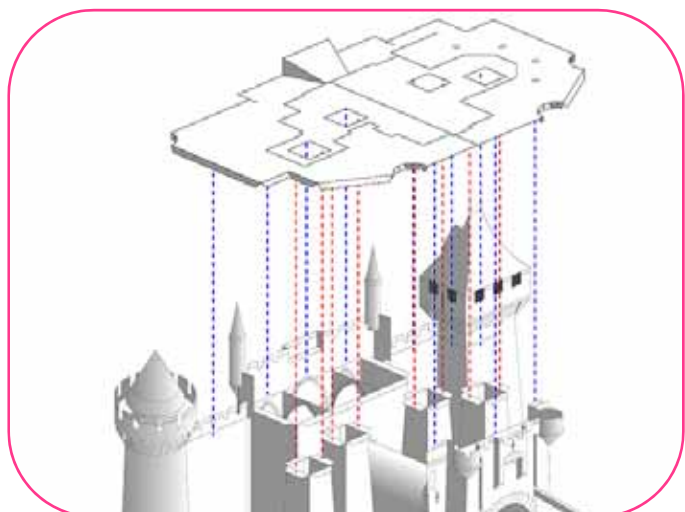
## SLEEPING BEAUTY CASTLE



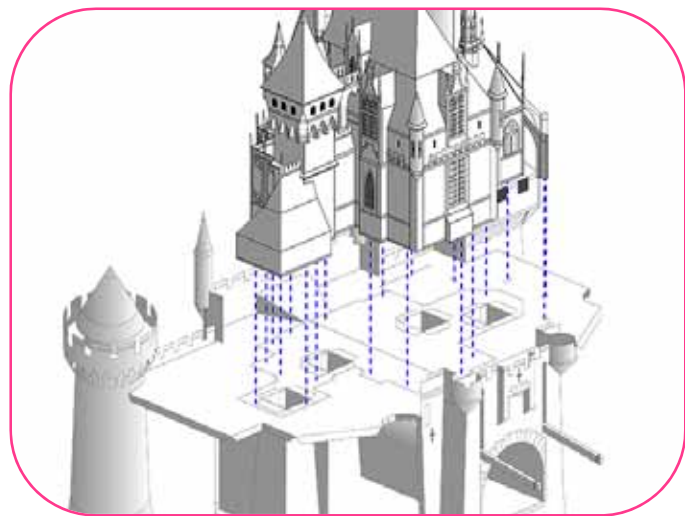
47. Glue pieces 28A-D to their selves. This will make two identical support columns.



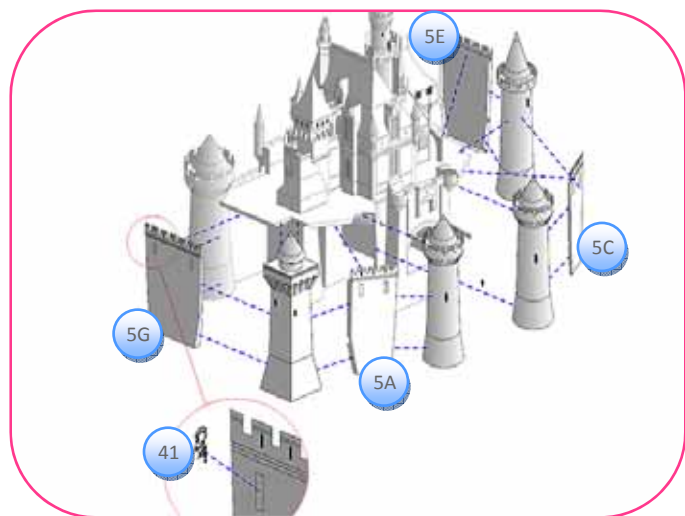
48. Position the 'U' support column assembly under the tunnel. **DO NOT GLUE.**



49. Glue the roof assembly to the tabs of the lower structure.  
 50. Insert the upper tabs of the support column assemblies through the holes of the roof assembly.  
 51. Glue the column support tabs to the top of the roof assembly.



52. Glue the upper castle assembly to the roof assembly. Take your time, and glue small sections one at a time. This will make it less frustrating than trying to position the assembly all at once before the glue dries.

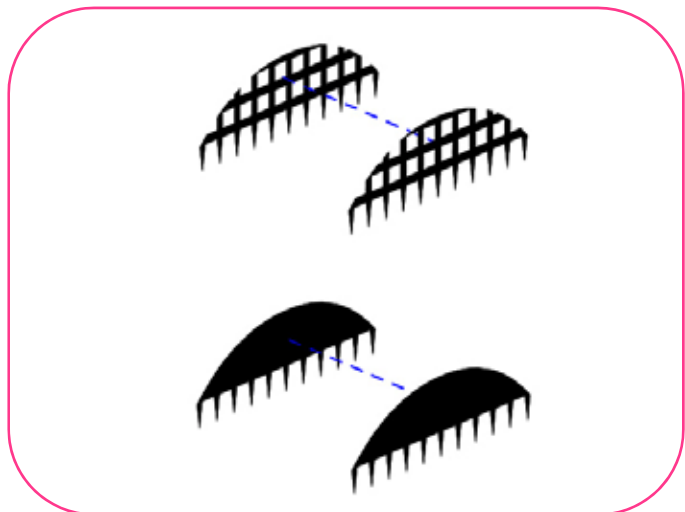


53. Glue the walls and towers to the castle base and to themselves as shown.  
 54. Glue pieces 41 to the castle walls

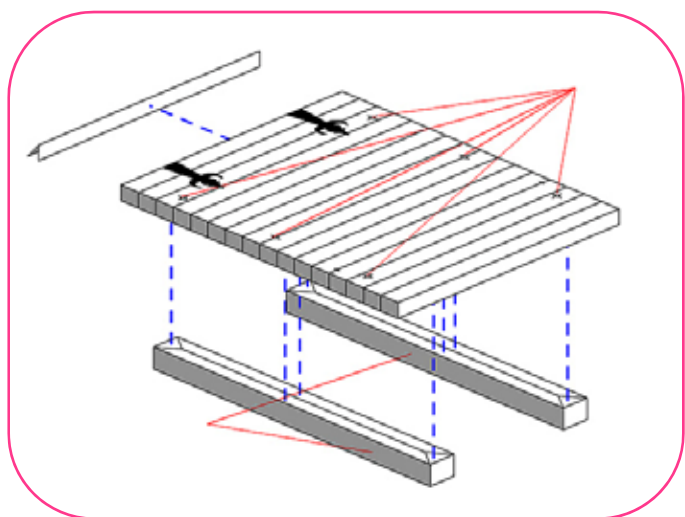
40A

40A

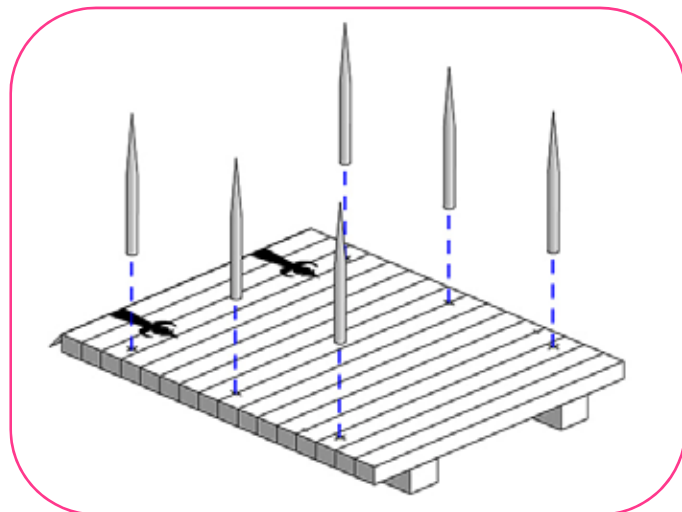
## SLEEPING BEAUTY CASTLE



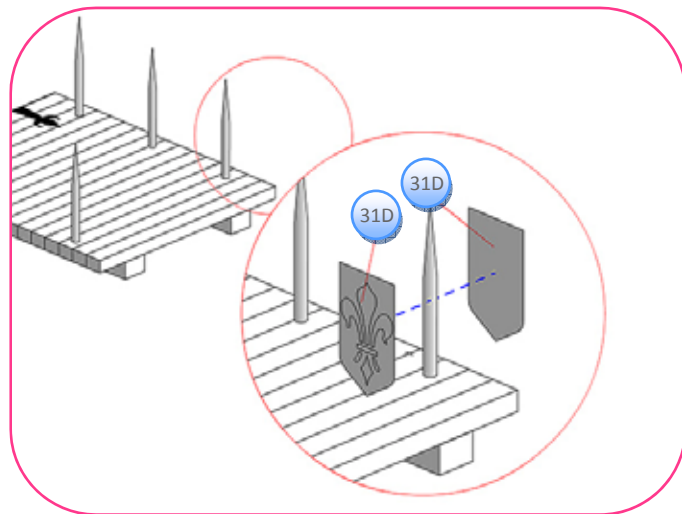
55. Glue pieces 40B to their selves. If you'd rather take the time to cut, glue pieces 40A instead for a greater realism.



56. Punch holes before cutting piece 31A out. Use a toothpick to widen the holes until the toothpick slides through snugly. Assemble piece 31A to itself as shown.

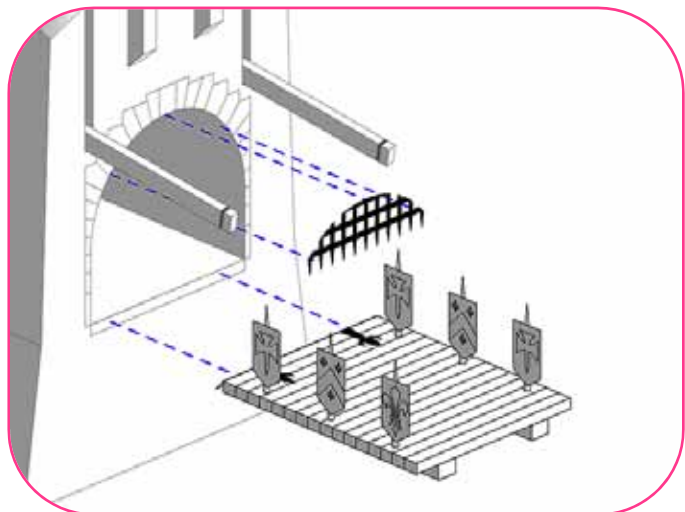


57. Cut the ends off of 6 toothpicks (1 inch). Use marker, acrylic paint, or a medium of your choice to color the toothpicks black (or any color you desire). Glue the toothpicks into the holes of the drawbridge assembly.

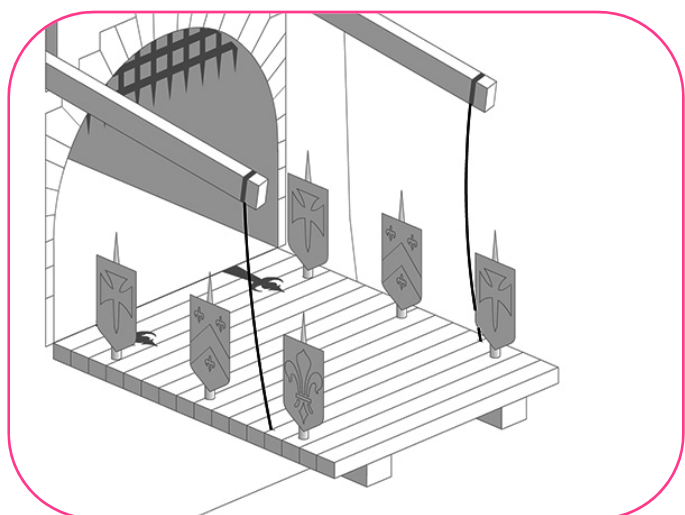


58. Glue pieces 31D to the toothpicks.

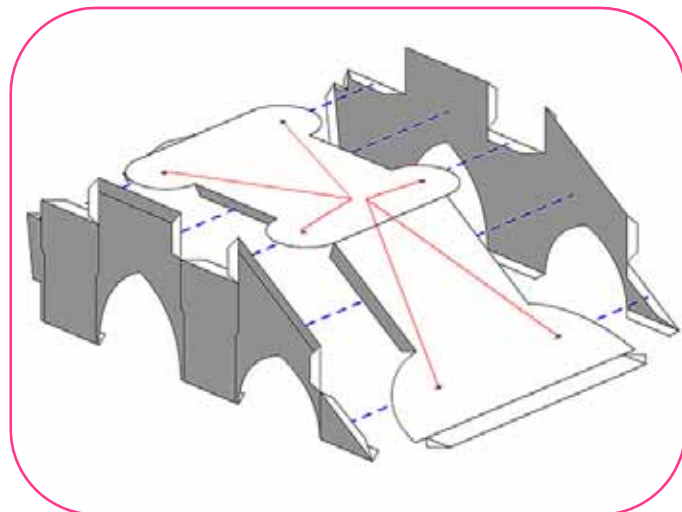
SLEEPING BEAUTY CASTLE



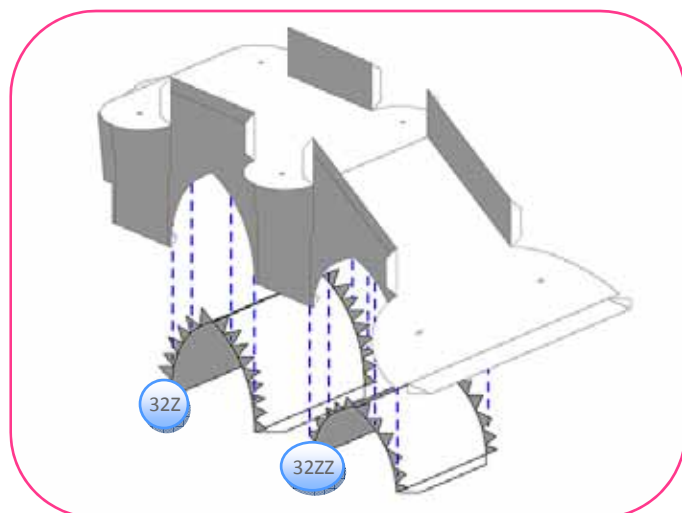
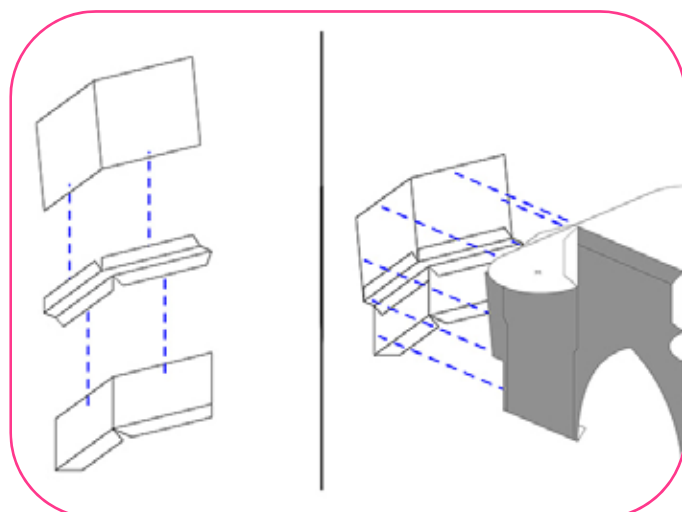
59. Glue the gate assembly to the top of the tunnel. Recess it at least 1/8 of an inch.



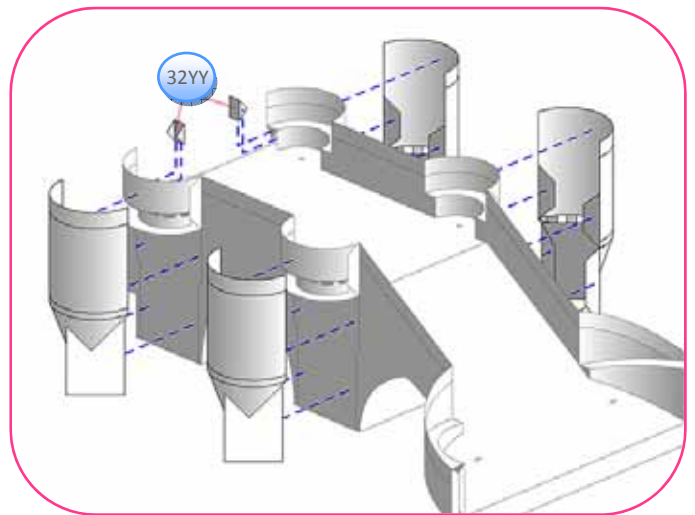
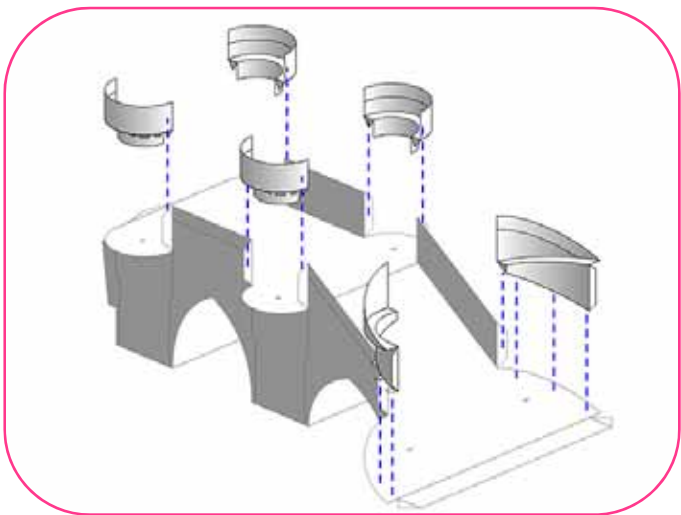
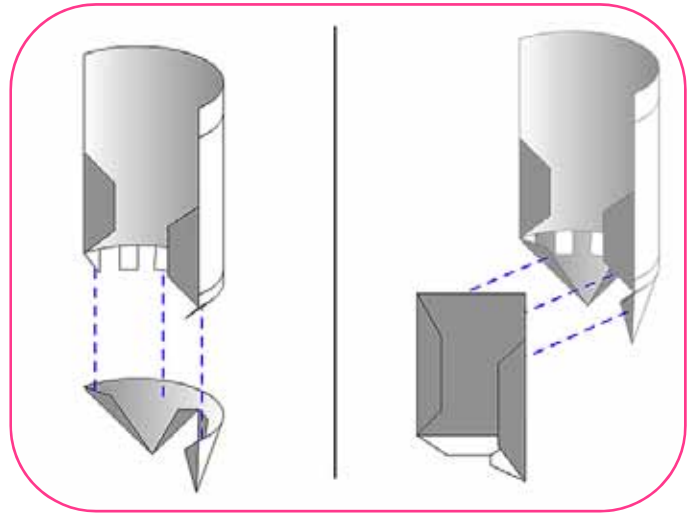
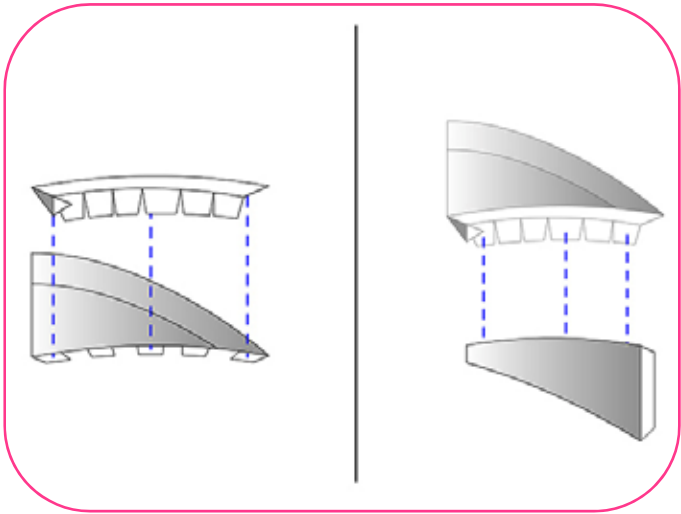
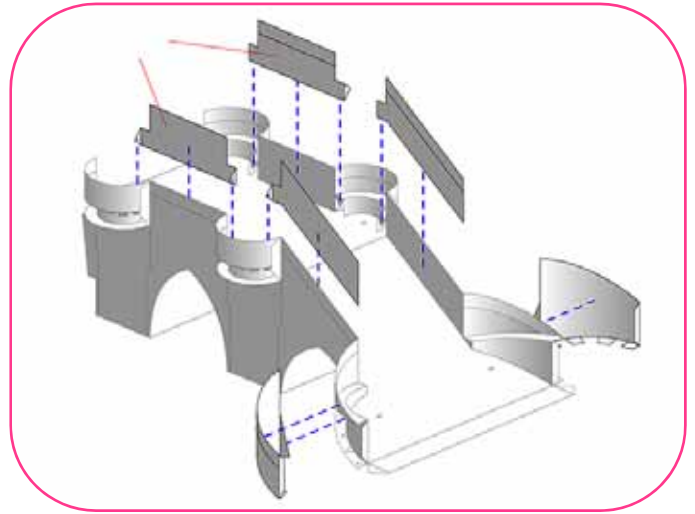
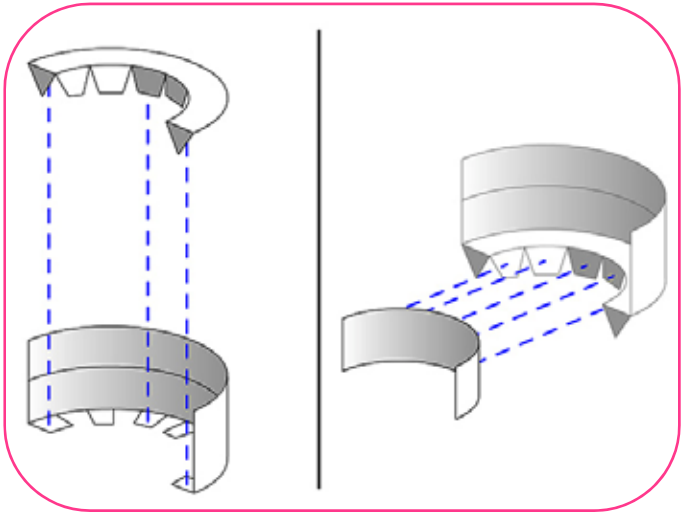
60. Use 2 pieces of black string to connect the drawbridge assembly to the drawbridge arms. For greater realism, use thin black (or silver) chains made of miniature chain links. You can typically get these chains at your local arts & crafts store. A fabric store may also supply them; they are usually wound on rods and are sold with the lace section. You can also try a hardware store. The chains should be extremely cheap, and you may want to buy a little extra in case you mess up.



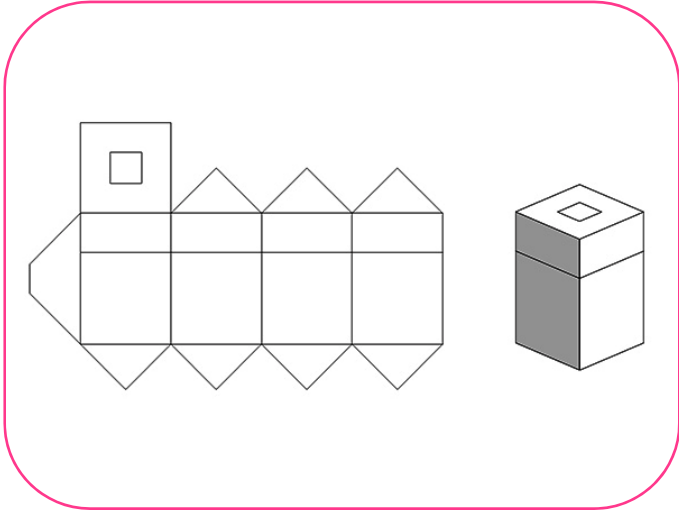
61. Punch holes before cutting piece 32A out. Use a toothpick to widen the holes until the toothpick slides through snugly.



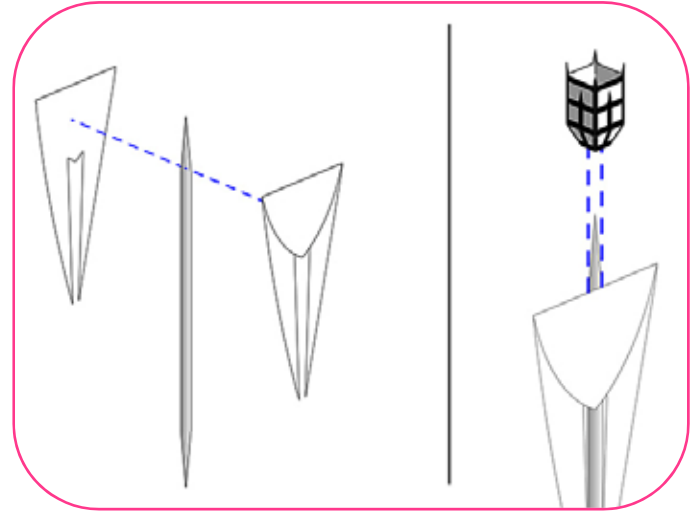
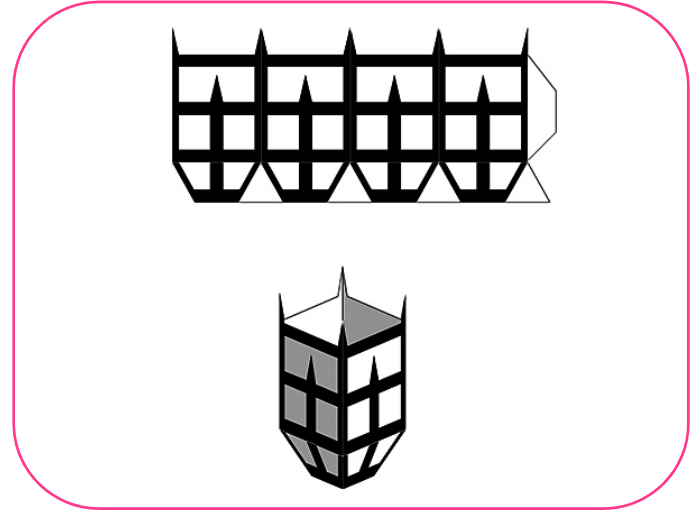
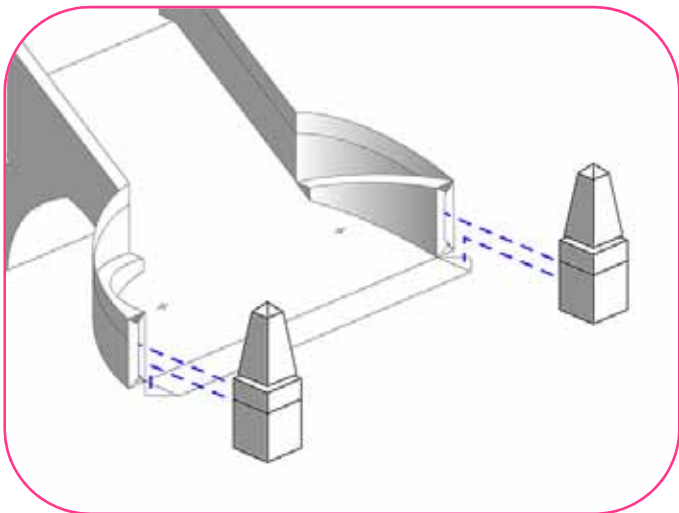
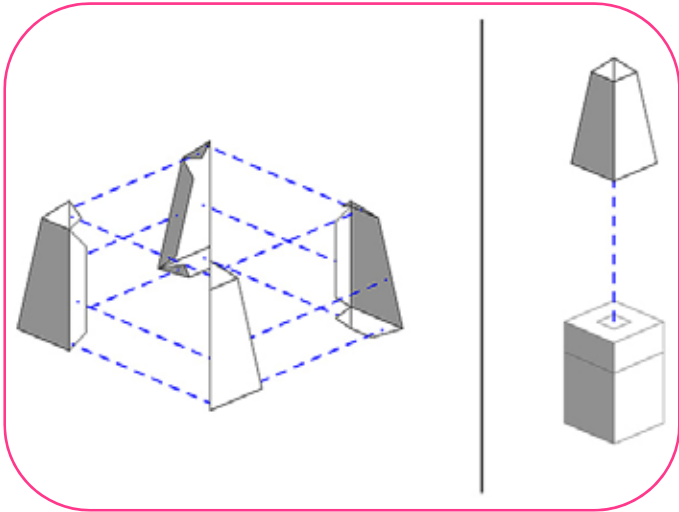
SLEEPING BEAUTY CASTLE



## SLEEPING BEAUTY CASTLE

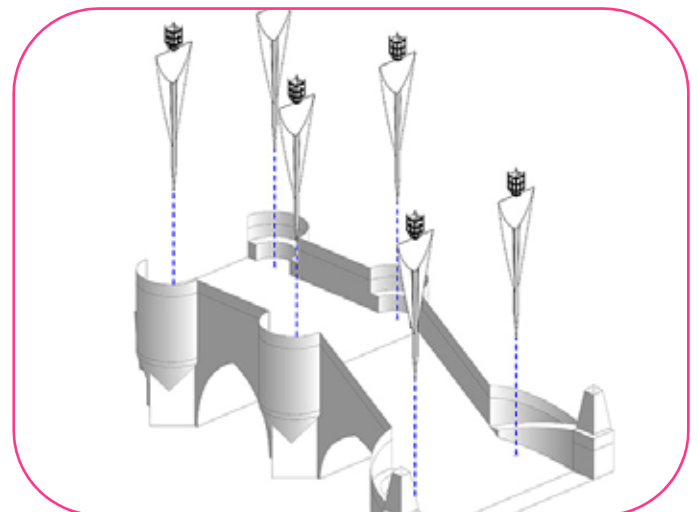


62. Glue pieces 32K & 32L to themselves as shown.



63. Glue pieces 34A/B, 35A/B, & 36A/B to six toothpicks.

64. Glue pieces 33A over the top of the end of the toothpicks.



65. Glue the banners into the holes of the ramp assembly.

## SLEEPING BEAUTY CASTLE

66. Prepare pieces 39A-G by gluing them to their selves. You may also want to glue all of the pieces around short pieces of wire (or something thin and stiff) to help you glue them to the turrets in the next step. While the glue is still wet, bend and twist pieces 39A-C to make them appear to flap in the wind. As the glue dries, the pieces will retain their shape.



**Congratulations; you've completed the model!**

**There are even more enchanted paper models waiting for you at**

# THE DISNEY EXPERIENCE

[www.disneyexperience.com](http://www.disneyexperience.com)