

Ecardmodels Paper Model

Electronic Download

Exclusive



ecardmodels.com



Rail Series #2

scale

HO

difficulty



ChME3 Built by *ČKD*

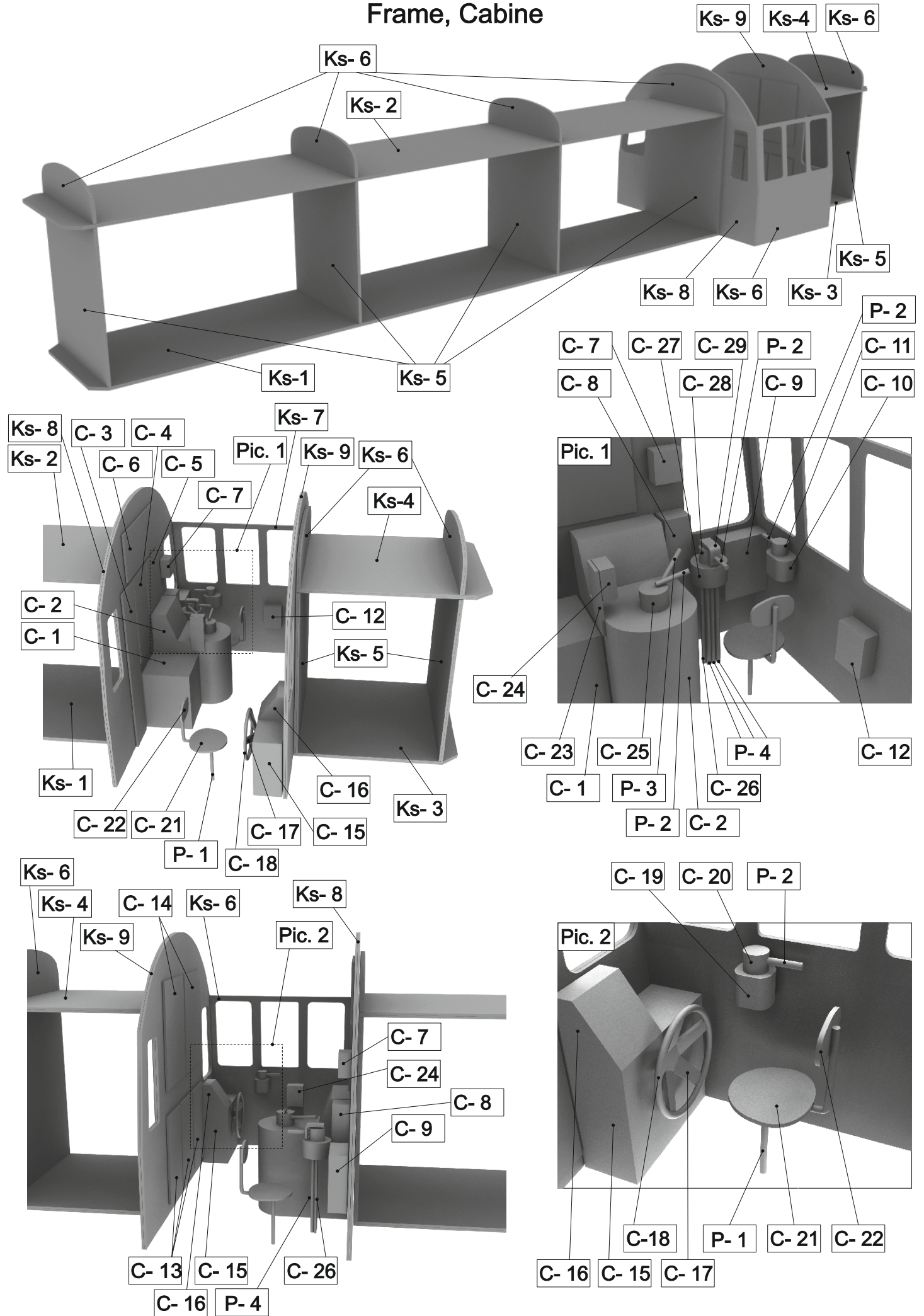
DC Electric Locomotive

Russia-Ukraine

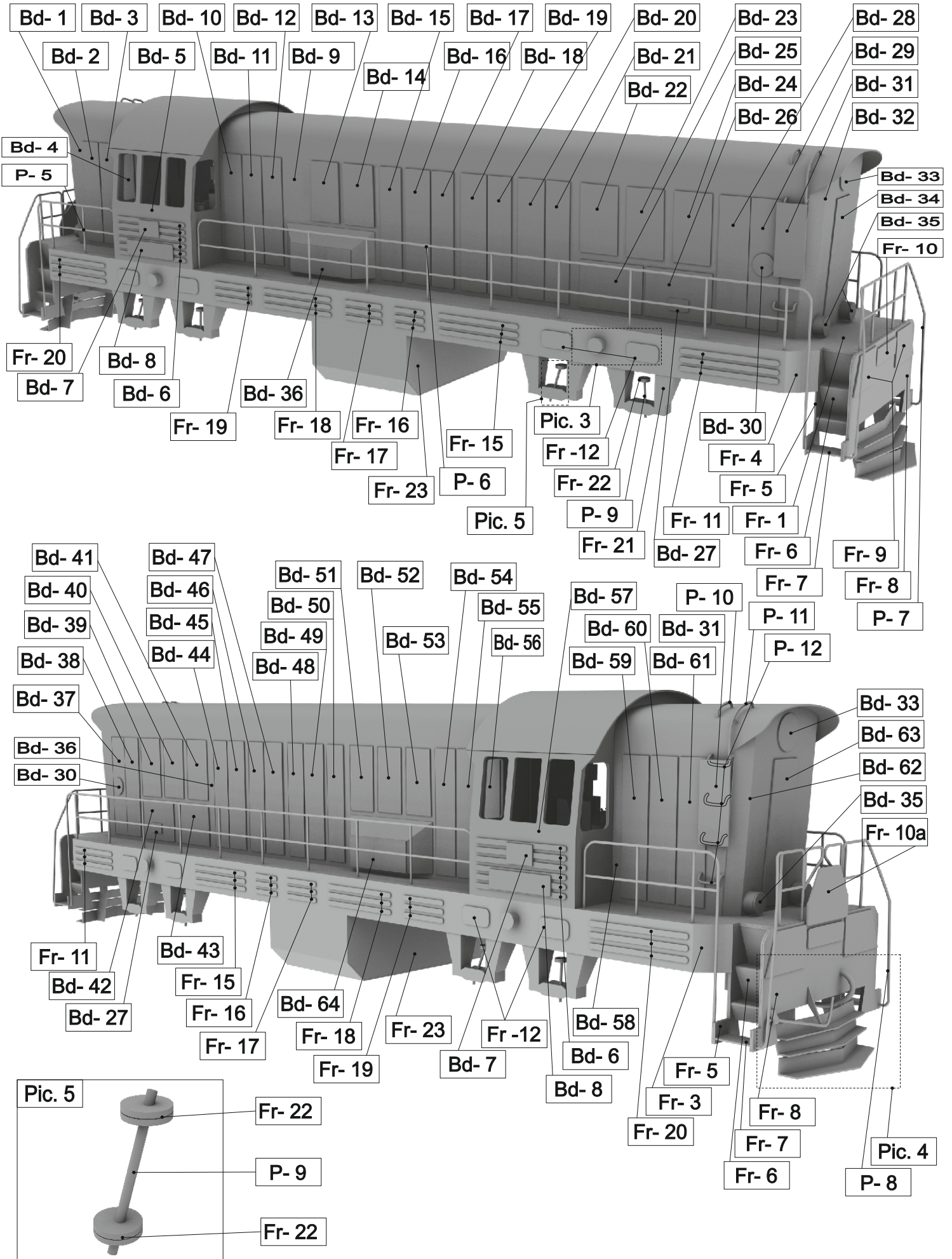
www.ecardmodels.com

© 2013 ecardmodels.com All rights reserved

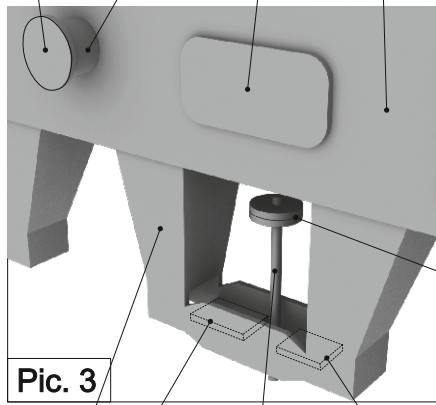
Каркас, Кабина Frame, Cabine



Кузов, Рама, Body, Frame



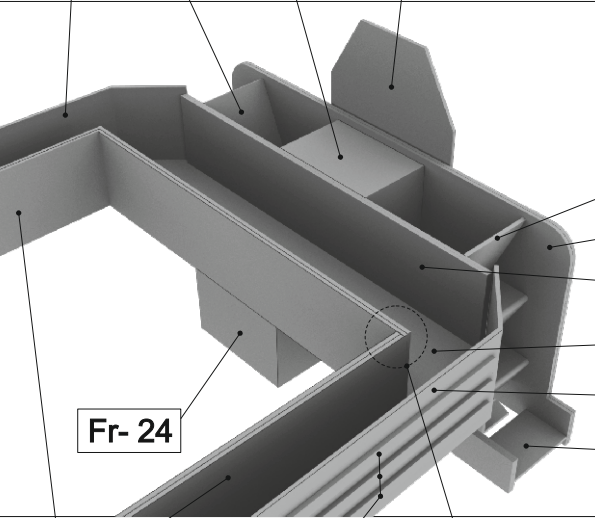
Fr- 14 Fr- 13 Fr- 12 Fr- 4



Pic. 3

Fr- 21 Fr- 26 P- 9 Fr- 27

Fr- 4 Fr- 6 Fr- 25 Fr- 10a



Fr- 5

Fr- 20

Fr- 24

Fr- 9 Fr- 39 Fr- 37 Fr- 38 Fr- 40 P- 14 Fr- 41

Fr- 28

P- 13

Fr- 8

Fr- 29

Fr- 30

P- 8

Fr- 31

Fr- 32

Fr- 33

Fr- 34

Fr- 35

Fr- 36

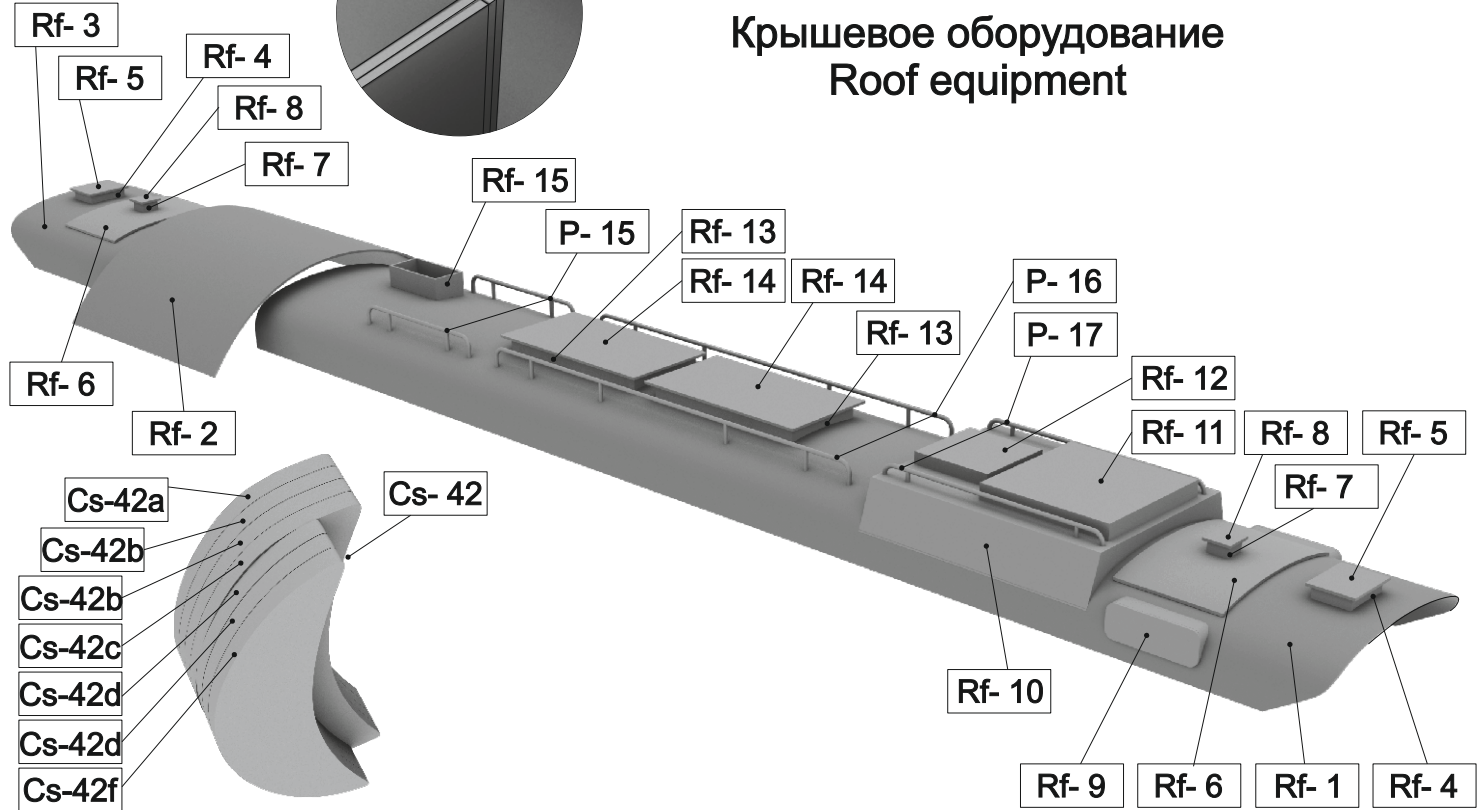
Fr- 42

Fr- 43

Fr- 44

Pic. 4

Крышное оборудование Roof equipment



Rf- 3

Rf- 5

Rf- 4

Rf- 8

Rf- 7

Rf- 15

P- 15

Rf- 13

Rf- 14

Rf- 14

P- 16

P- 17

Rf- 13

Rf- 12

Rf- 11

Rf- 8

Rf- 5

Rf- 6

Rf- 2

Rf- 10

Rf- 9

Rf- 6

Rf- 1

Rf- 4

Cs-42a

Cs- 42

Cs-42b

Cs-42b

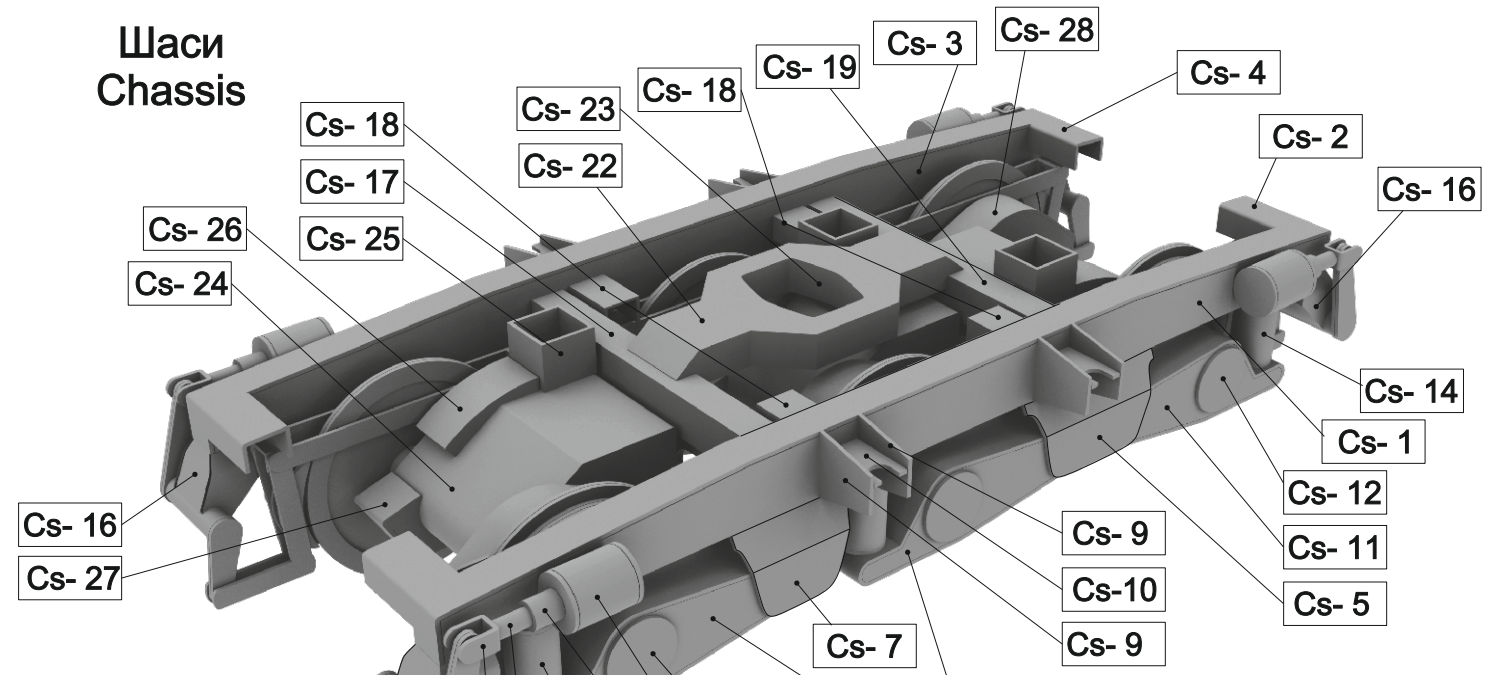
Cs-42c

Cs-42d

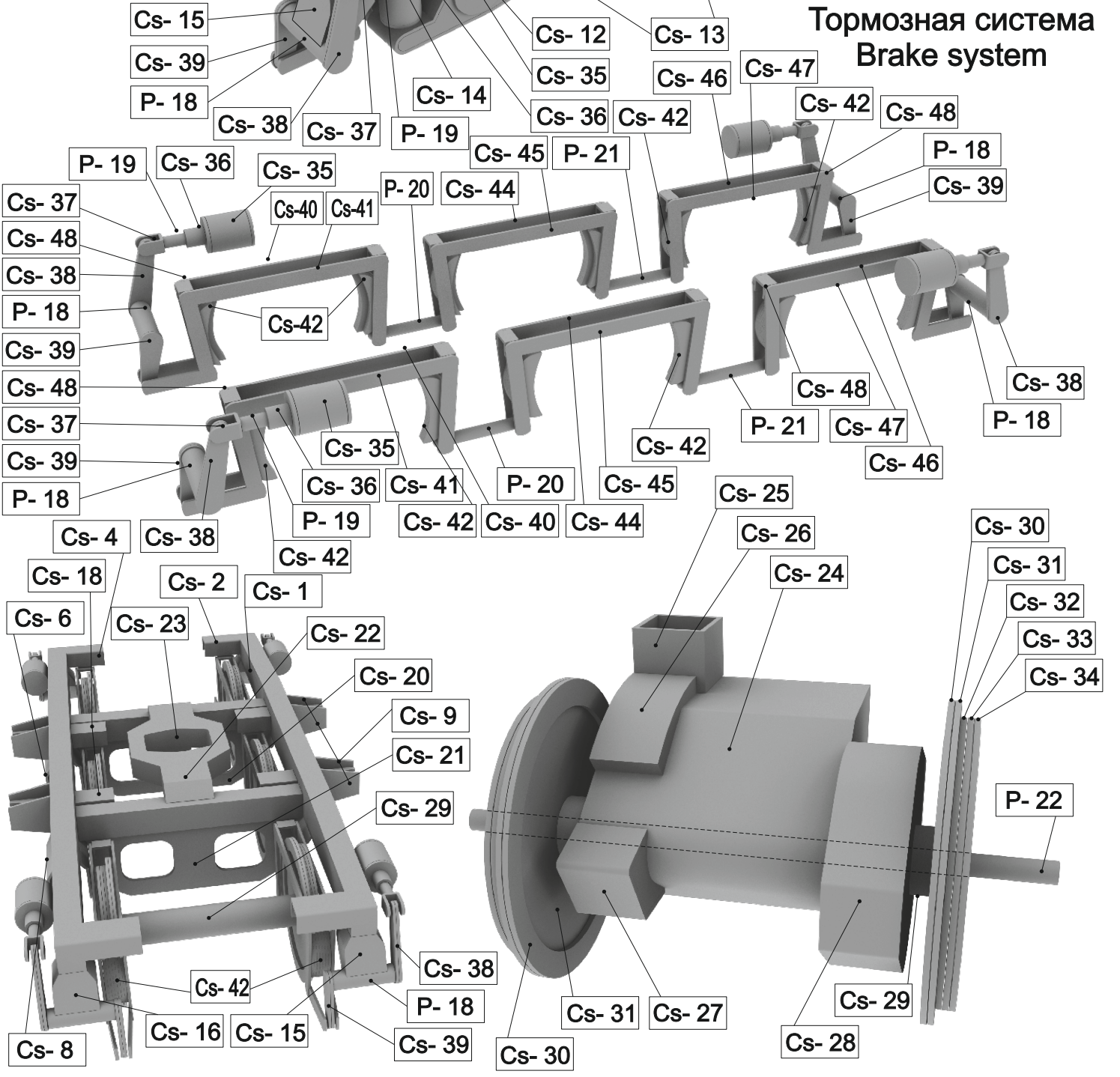
Cs-42d

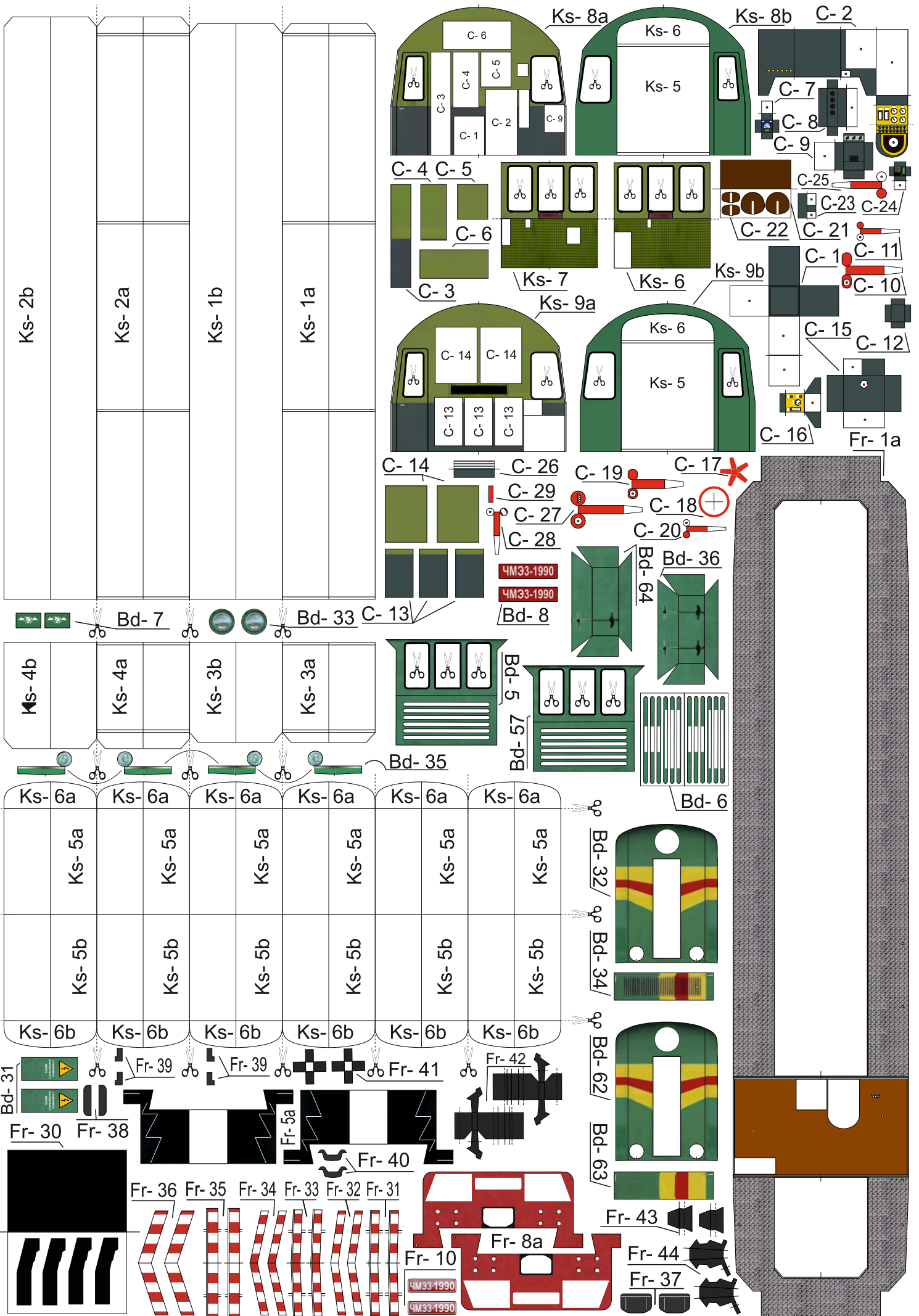
Cs-42f

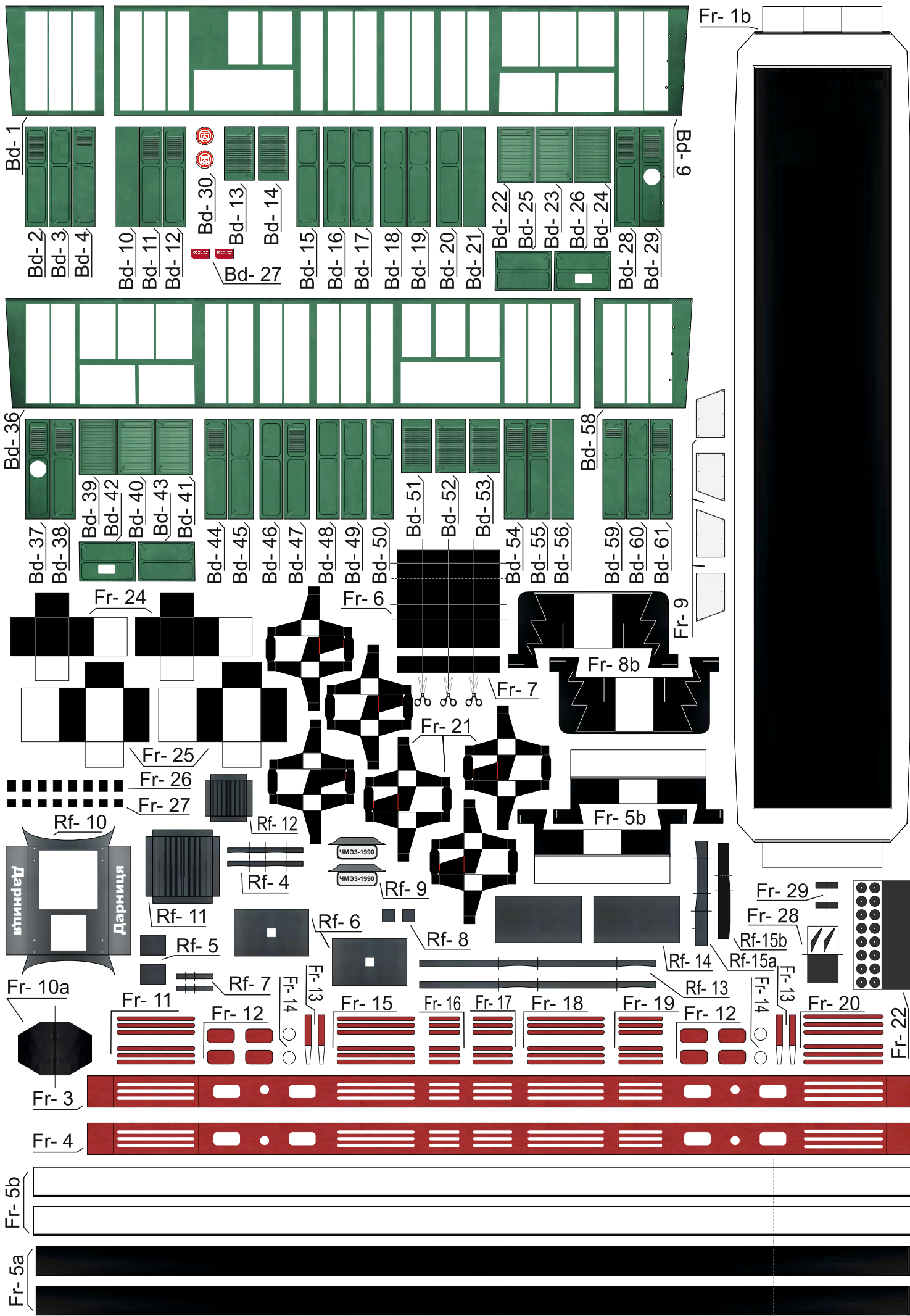
Шасси Chassis

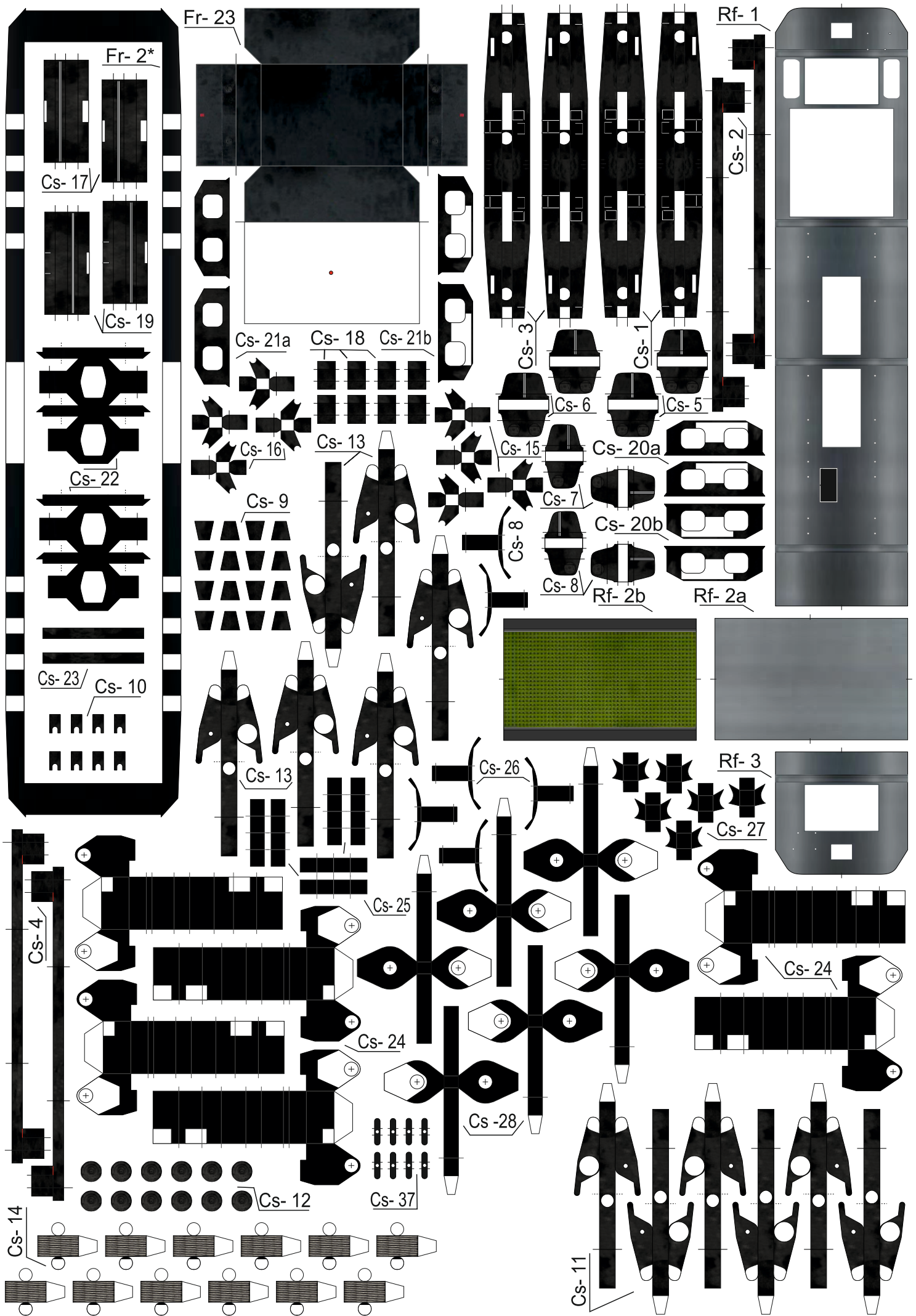


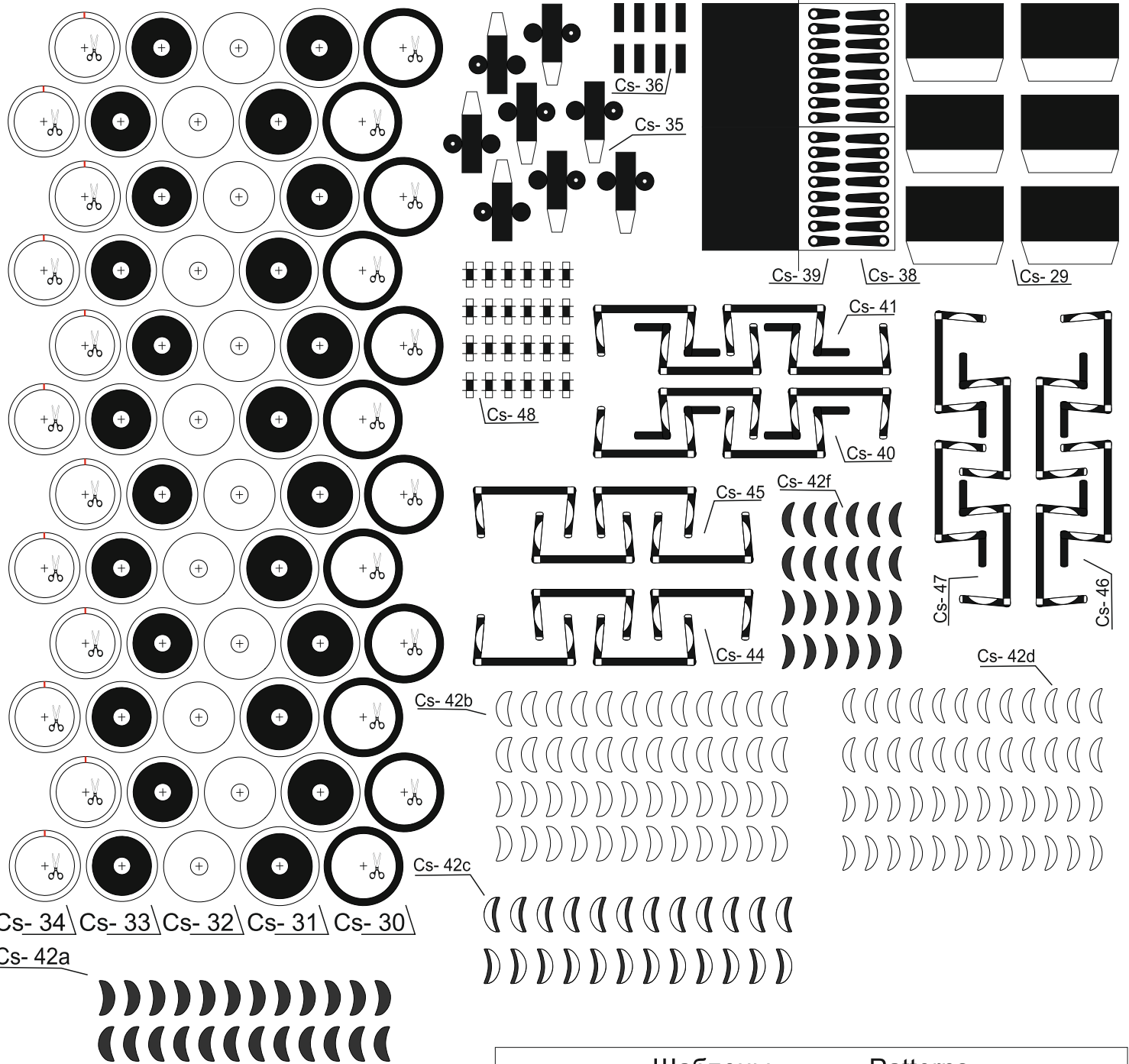
Тормозная система Brake system











Шаблоны Patterns

