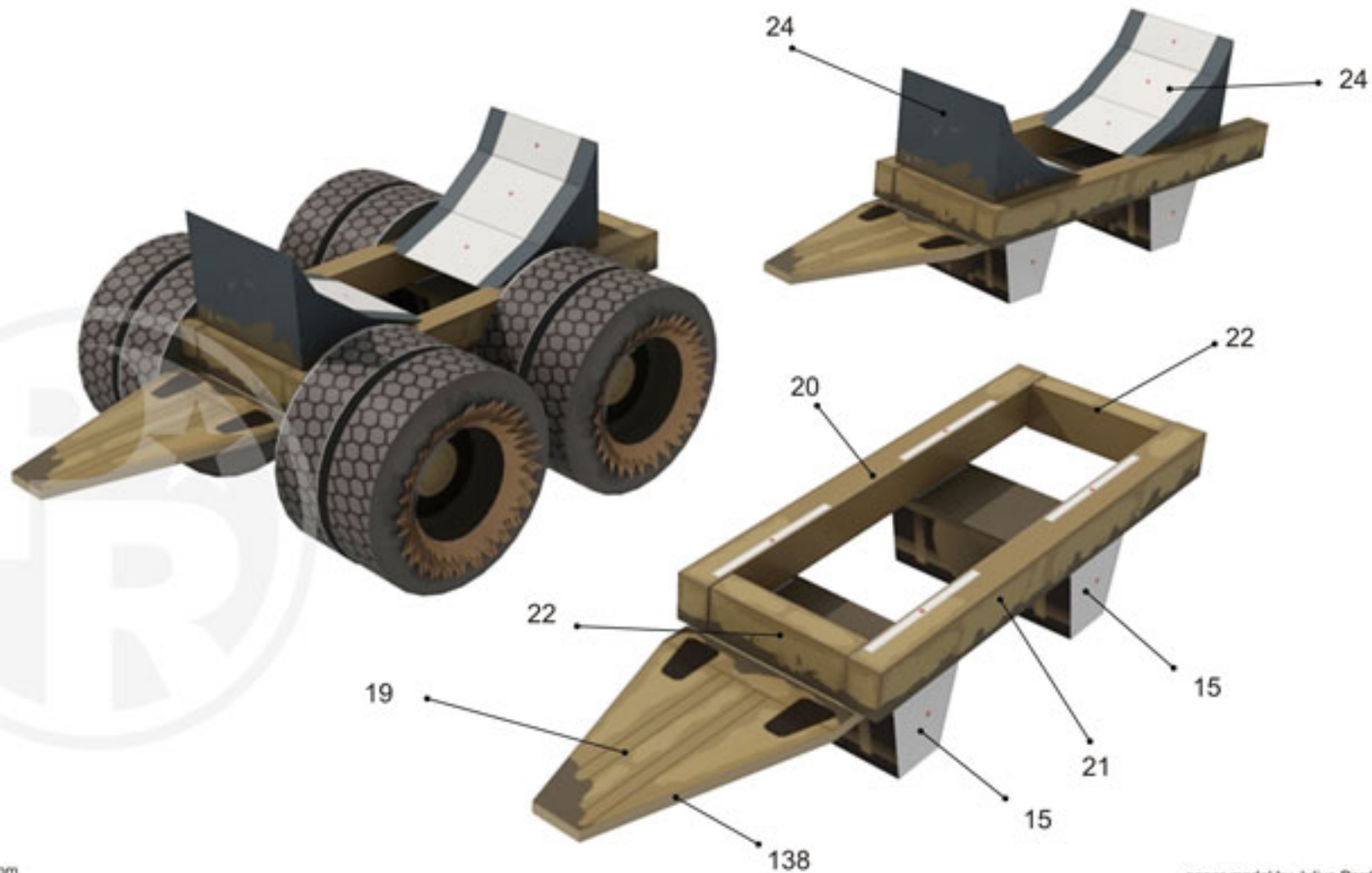
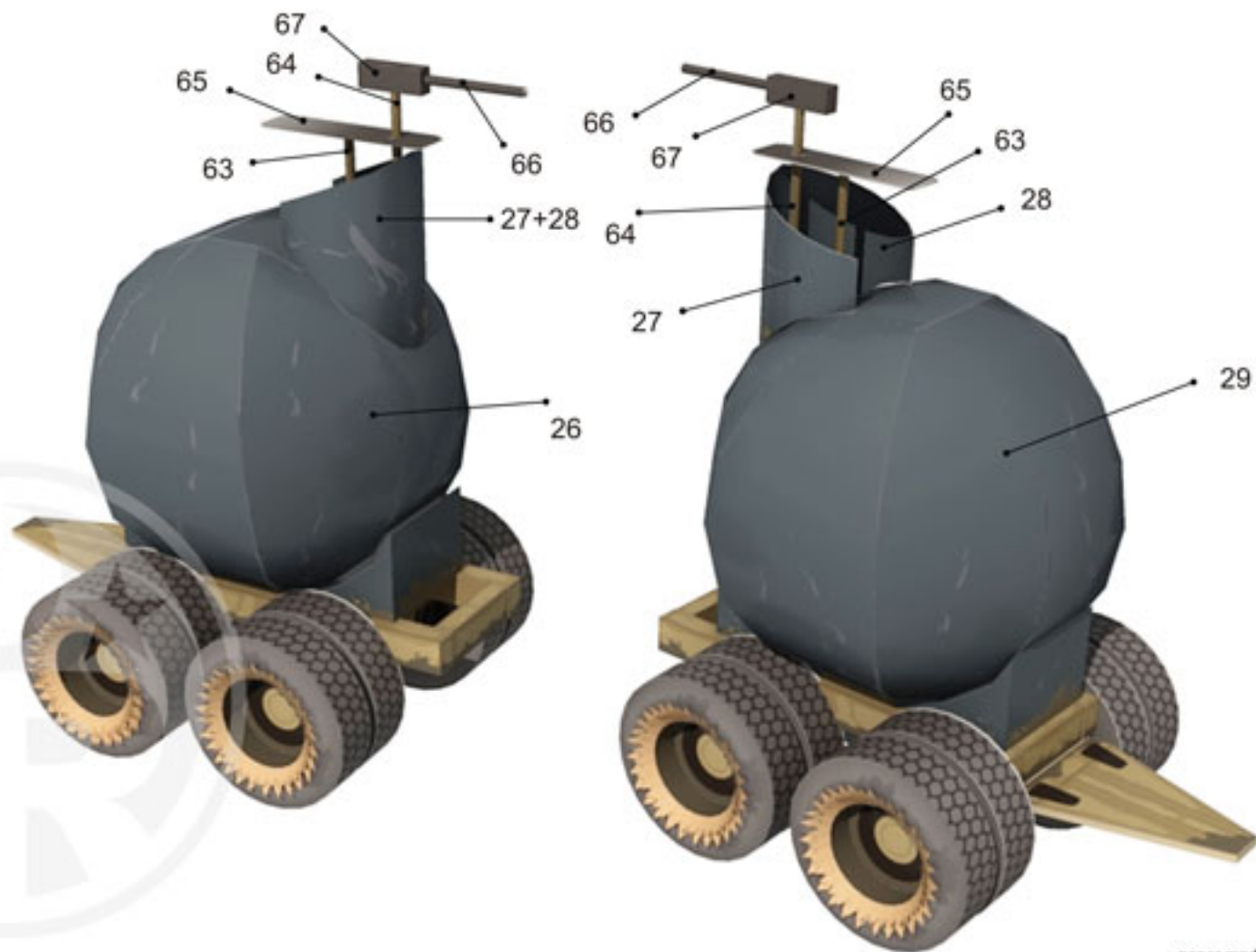
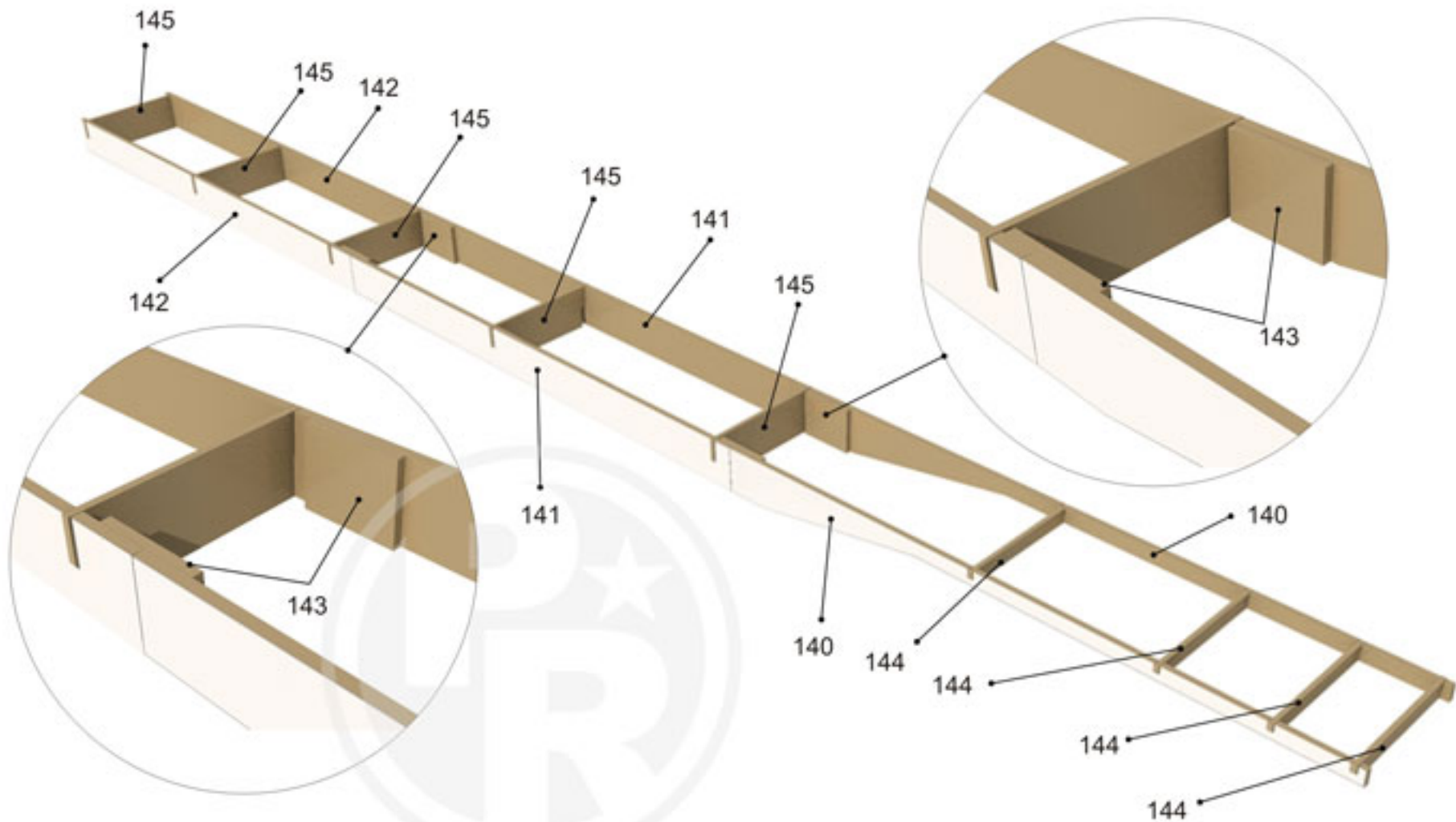


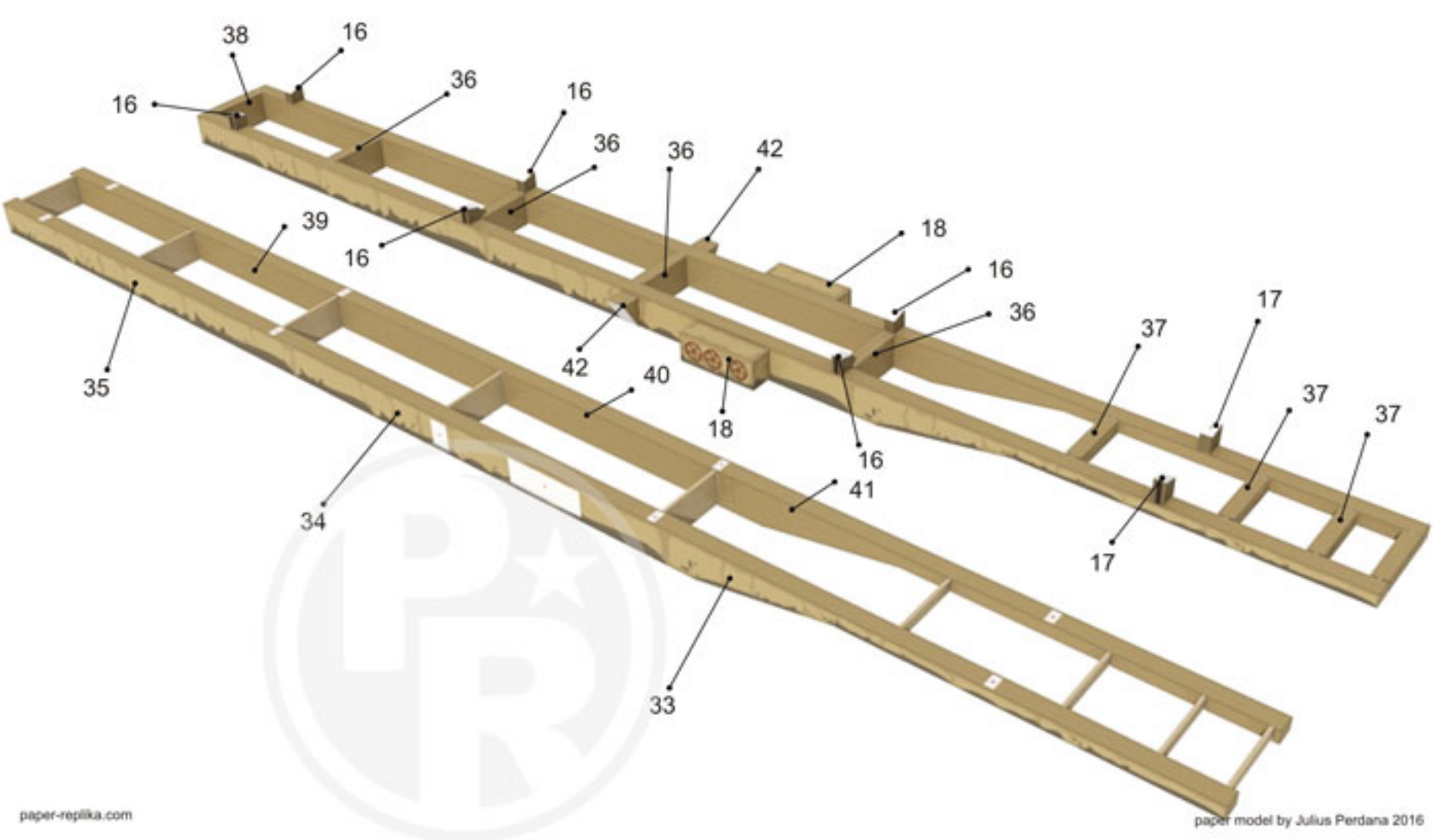


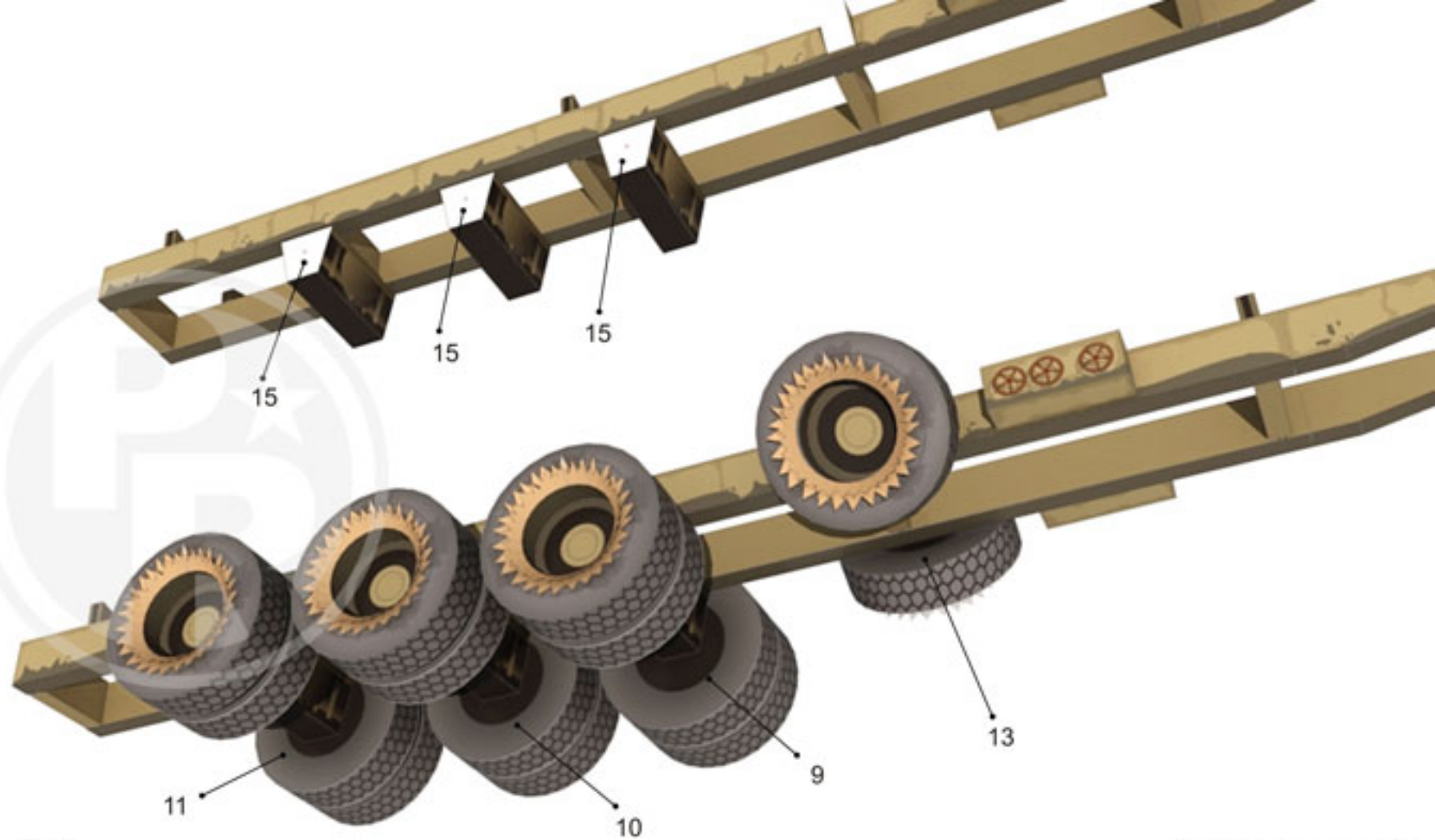
23

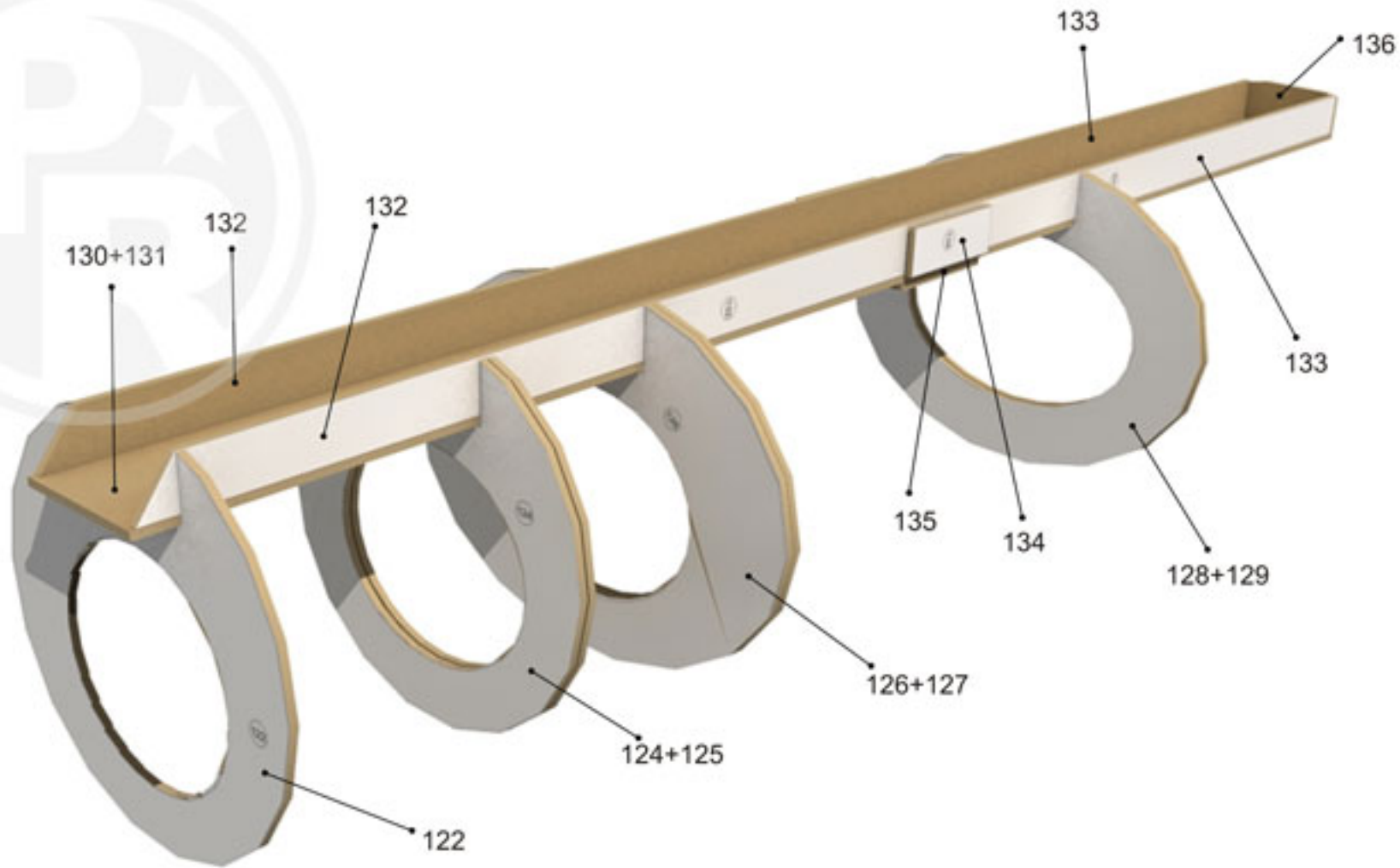


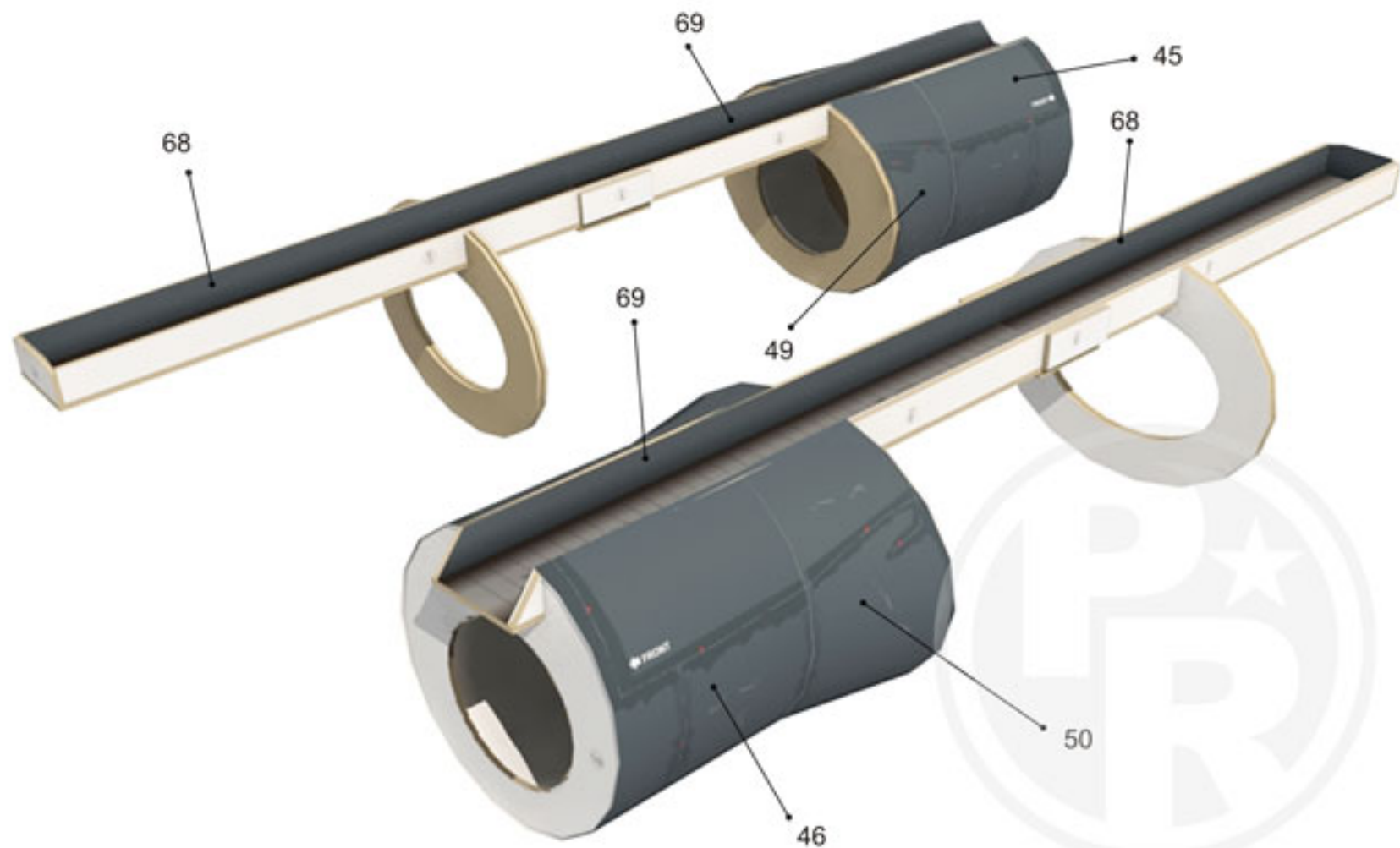




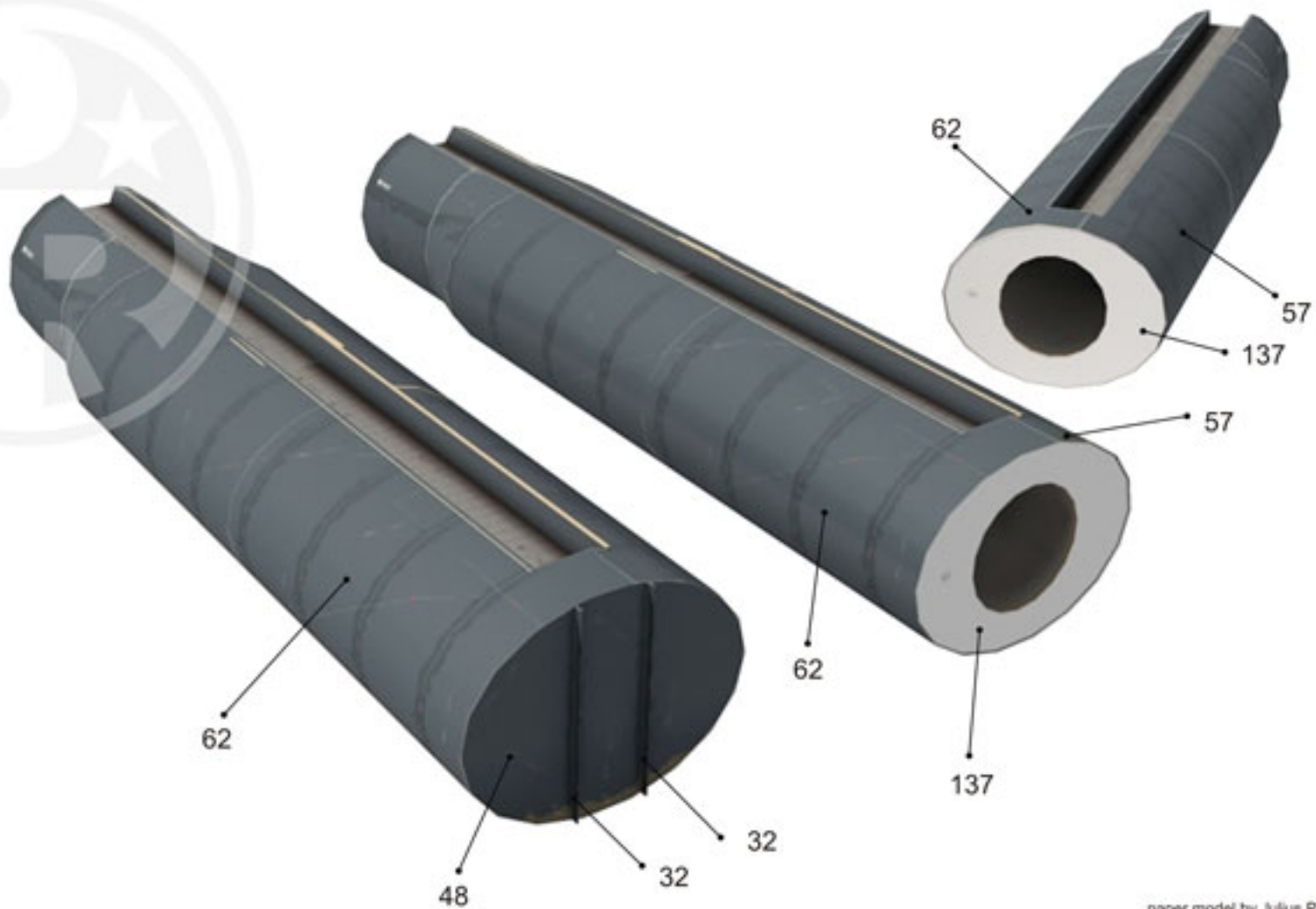


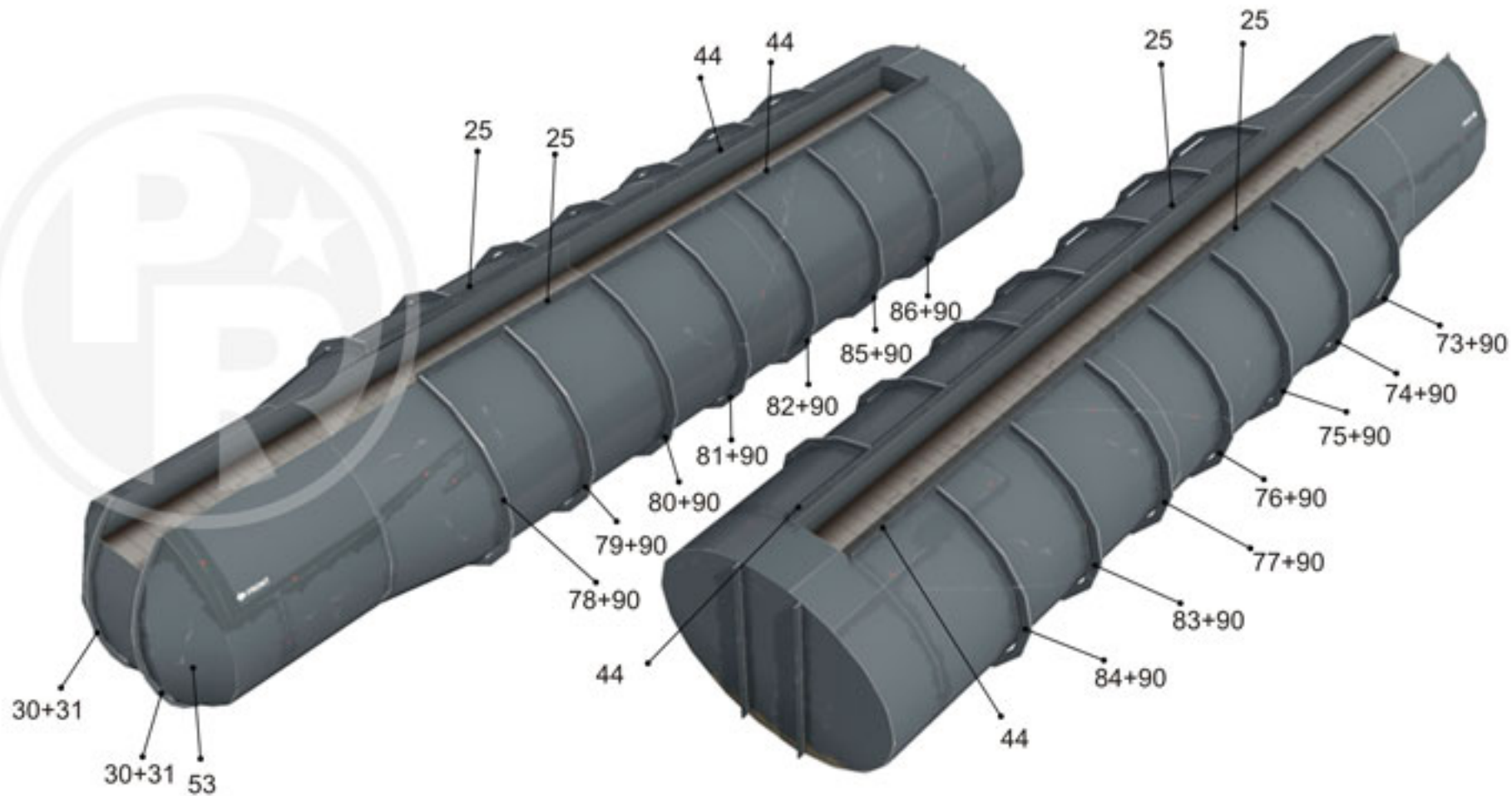


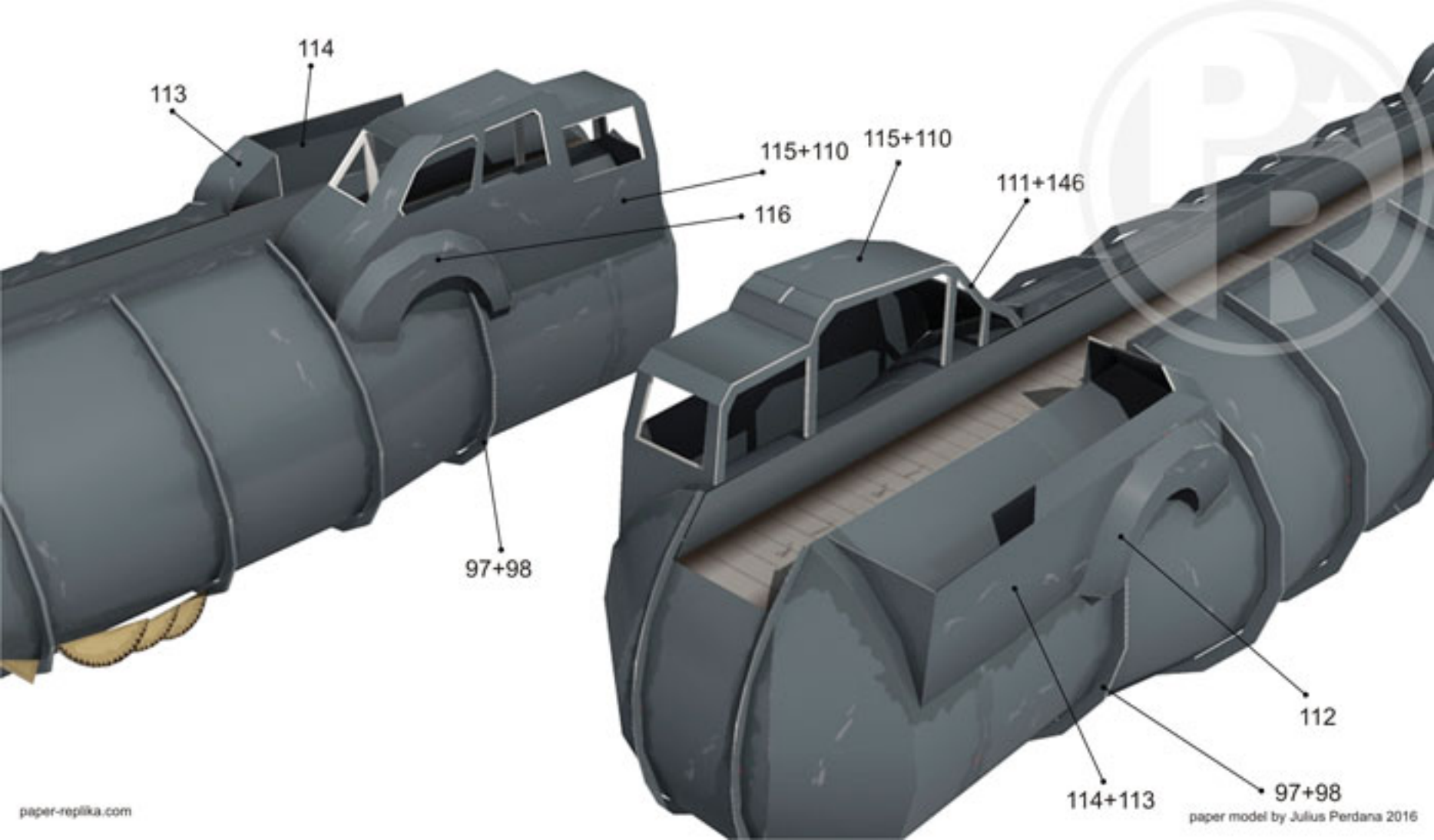












113

114

115+110

115+110

111+146

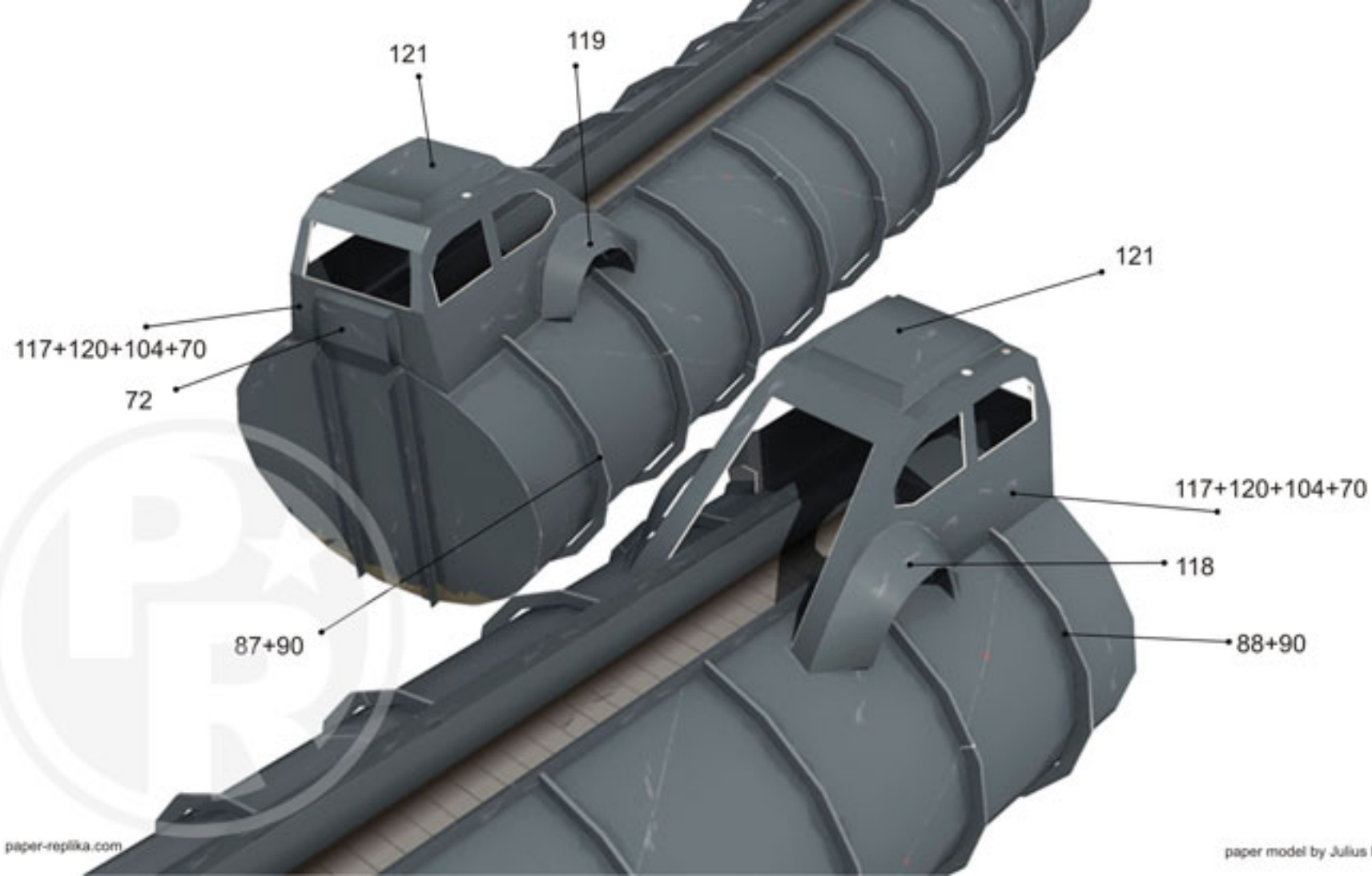
116

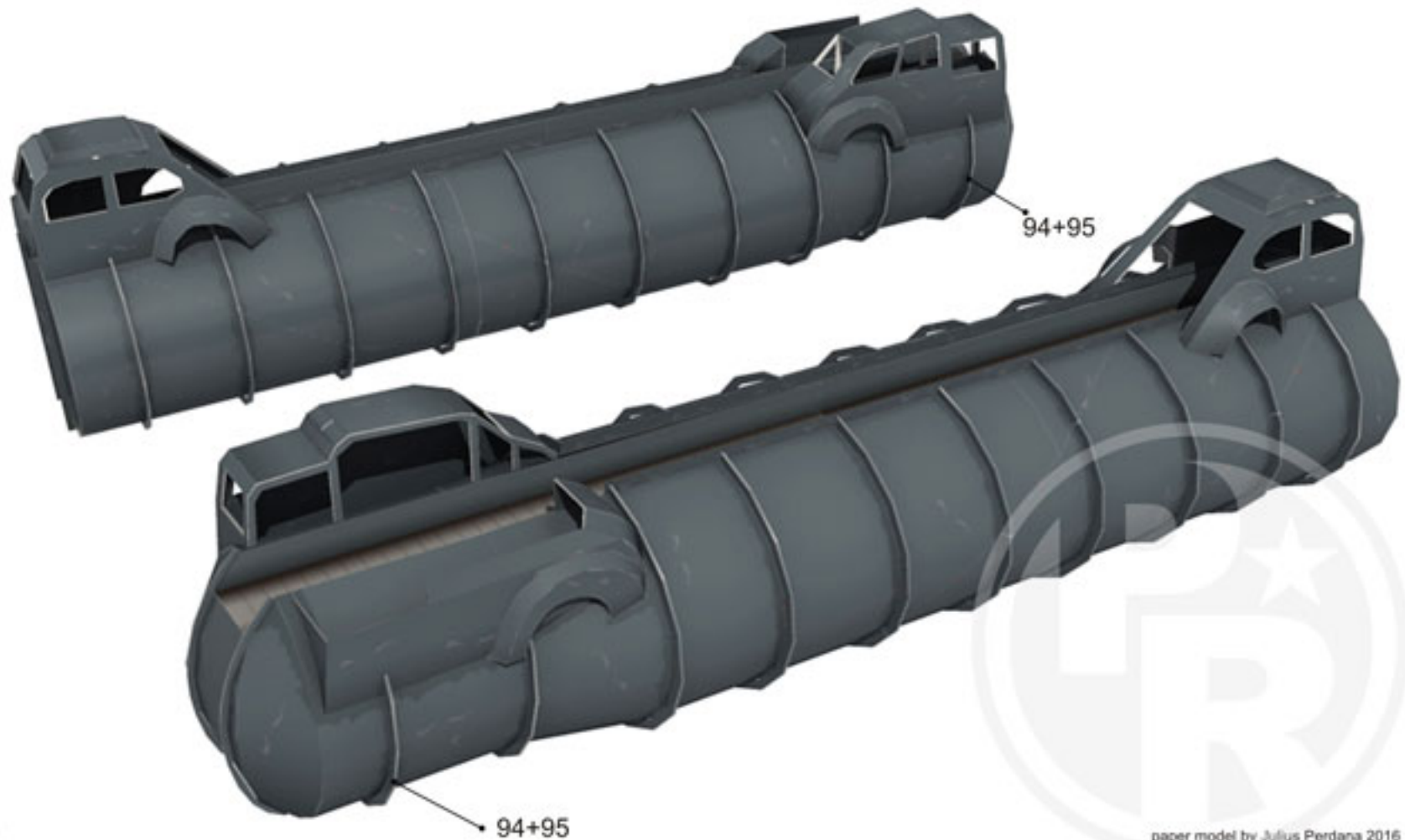
97+98

112

114+113

97+98





94+95

94+95

**CUT AND MAKE A SLIT
TO BE INSERTED
BY PART 99/100**

99+103

91

91

91

92

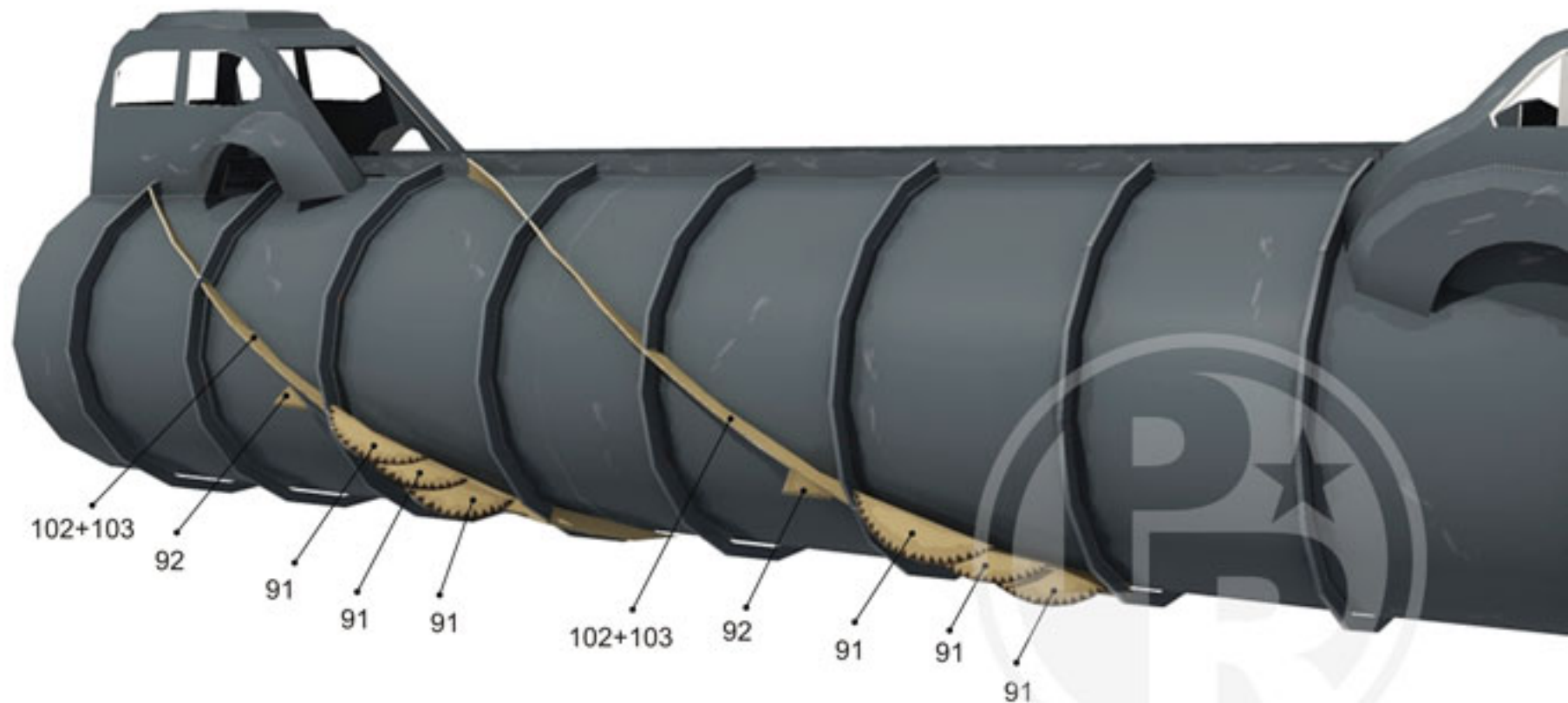
91

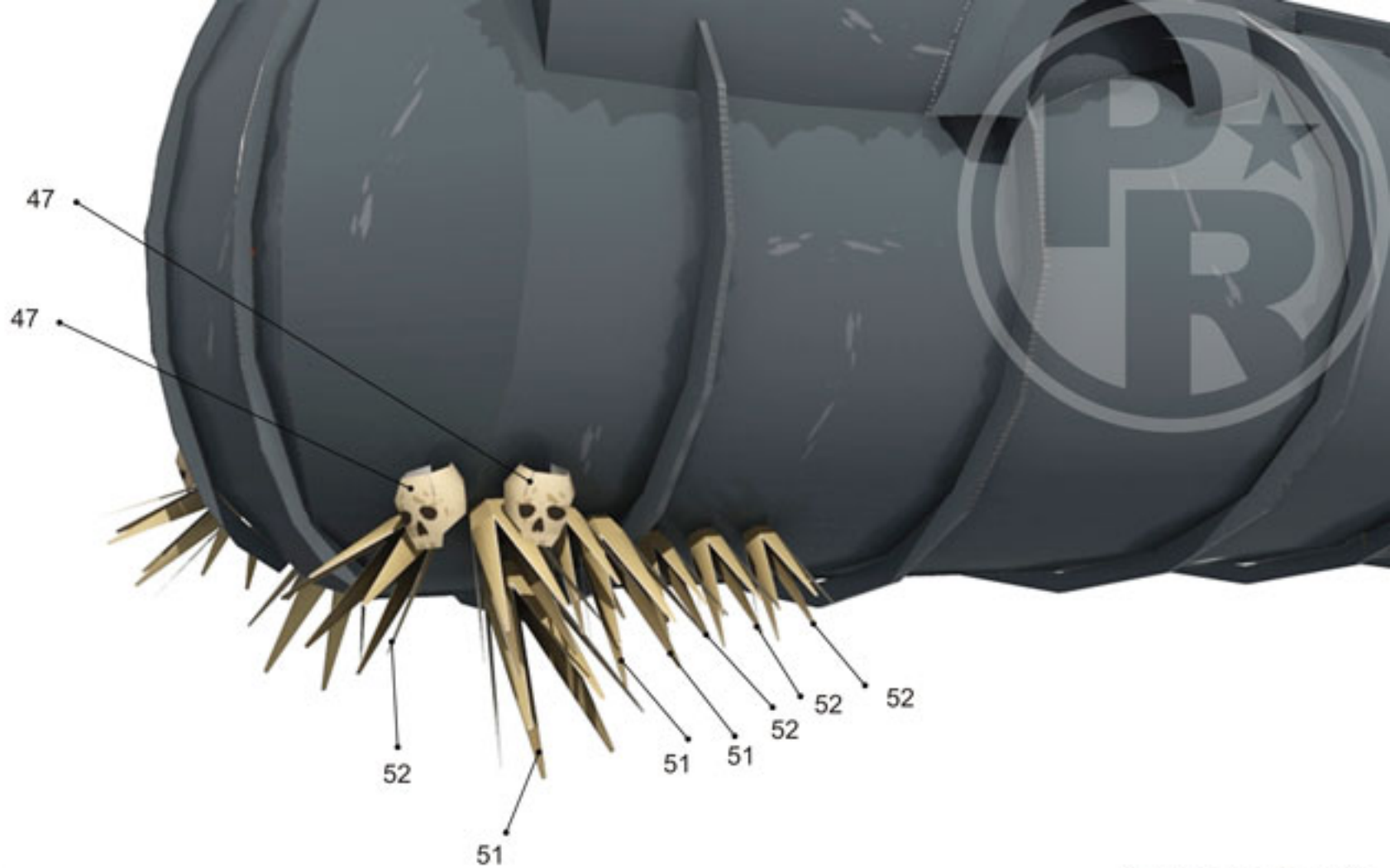
91

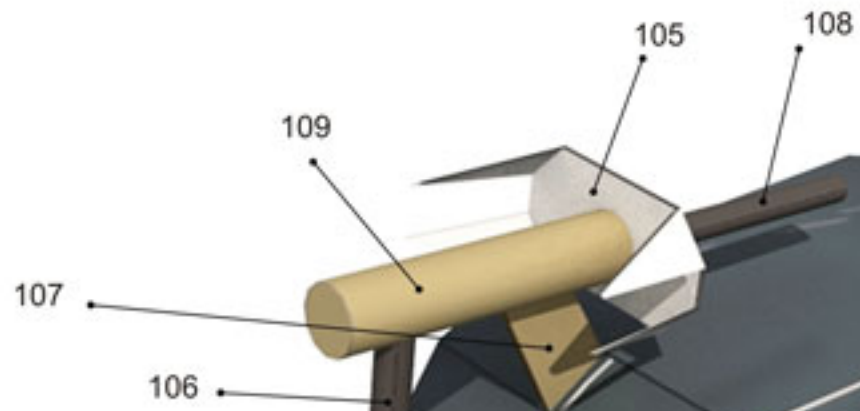
91

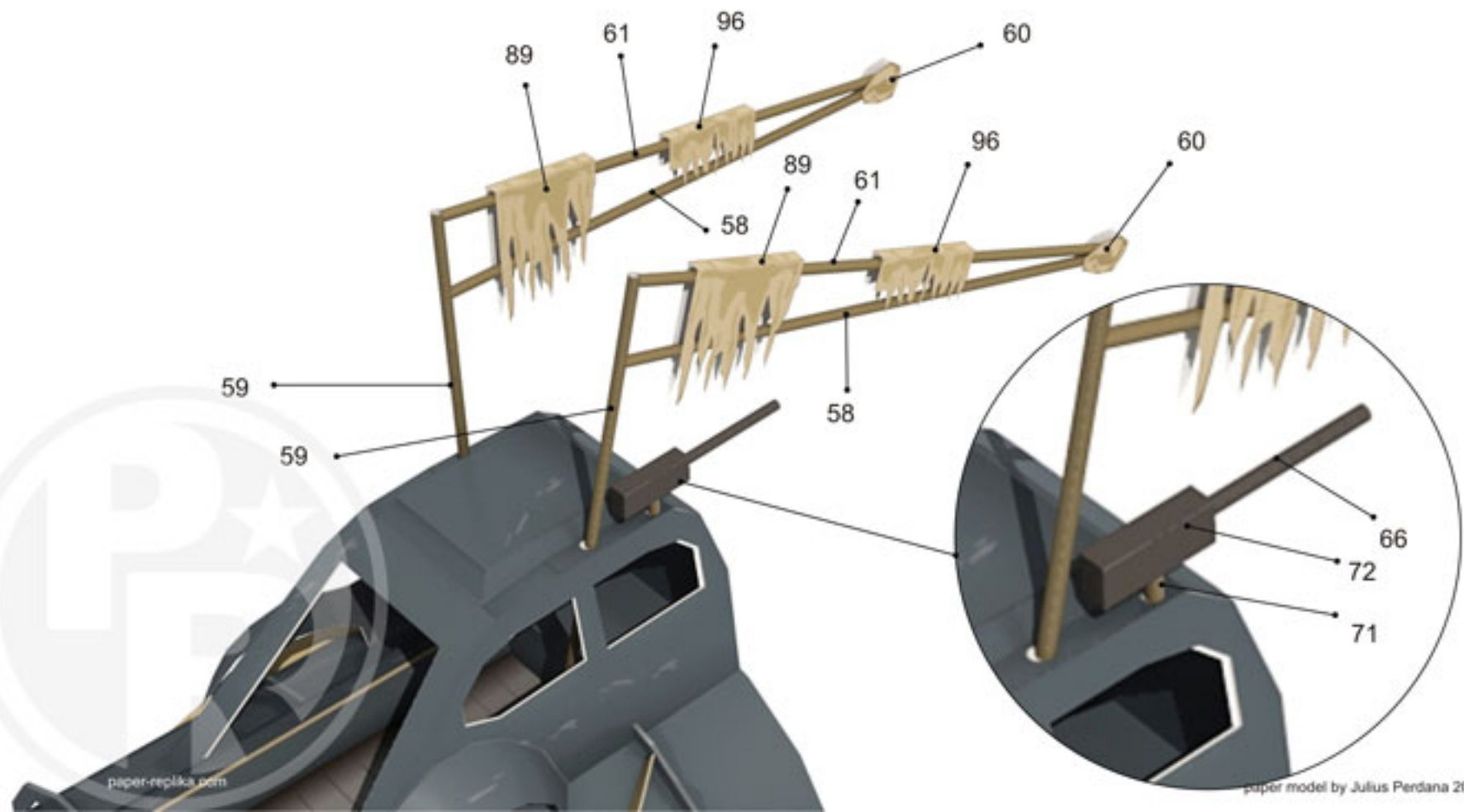
90

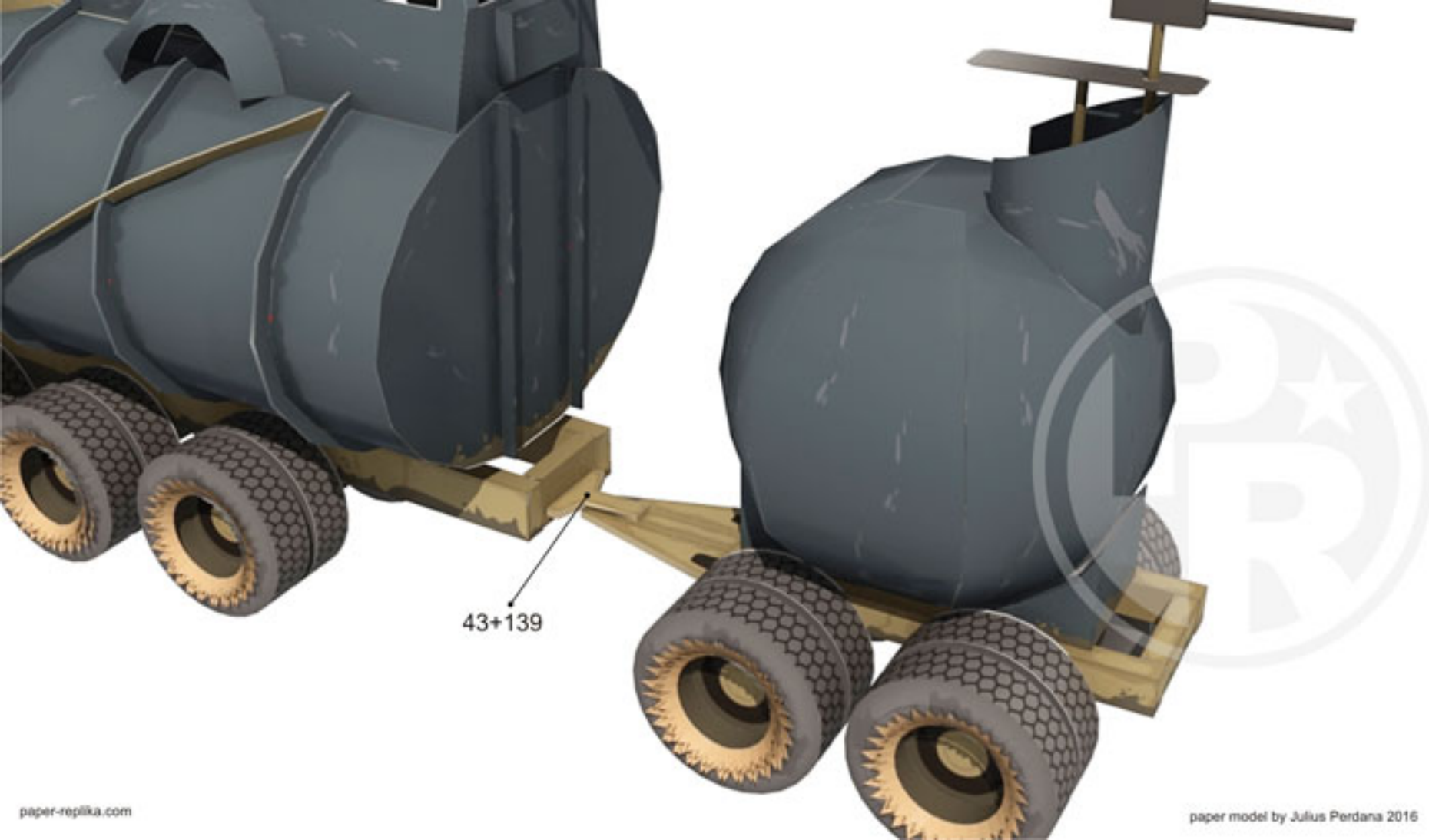
100+103











43+139

