

31L

87

12L*

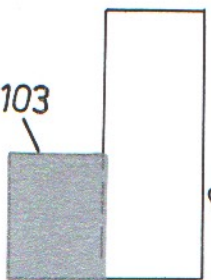
87



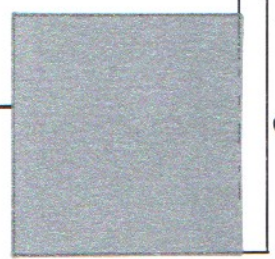
107*



103

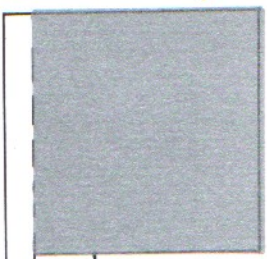


86

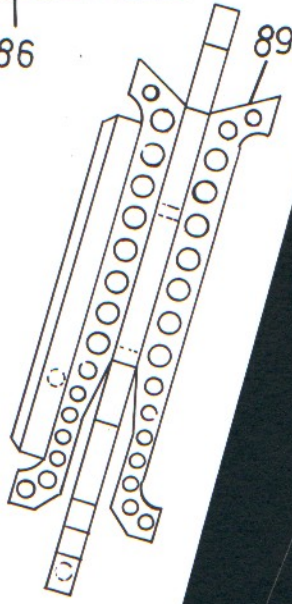


29LD

86



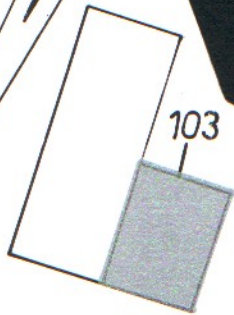
89



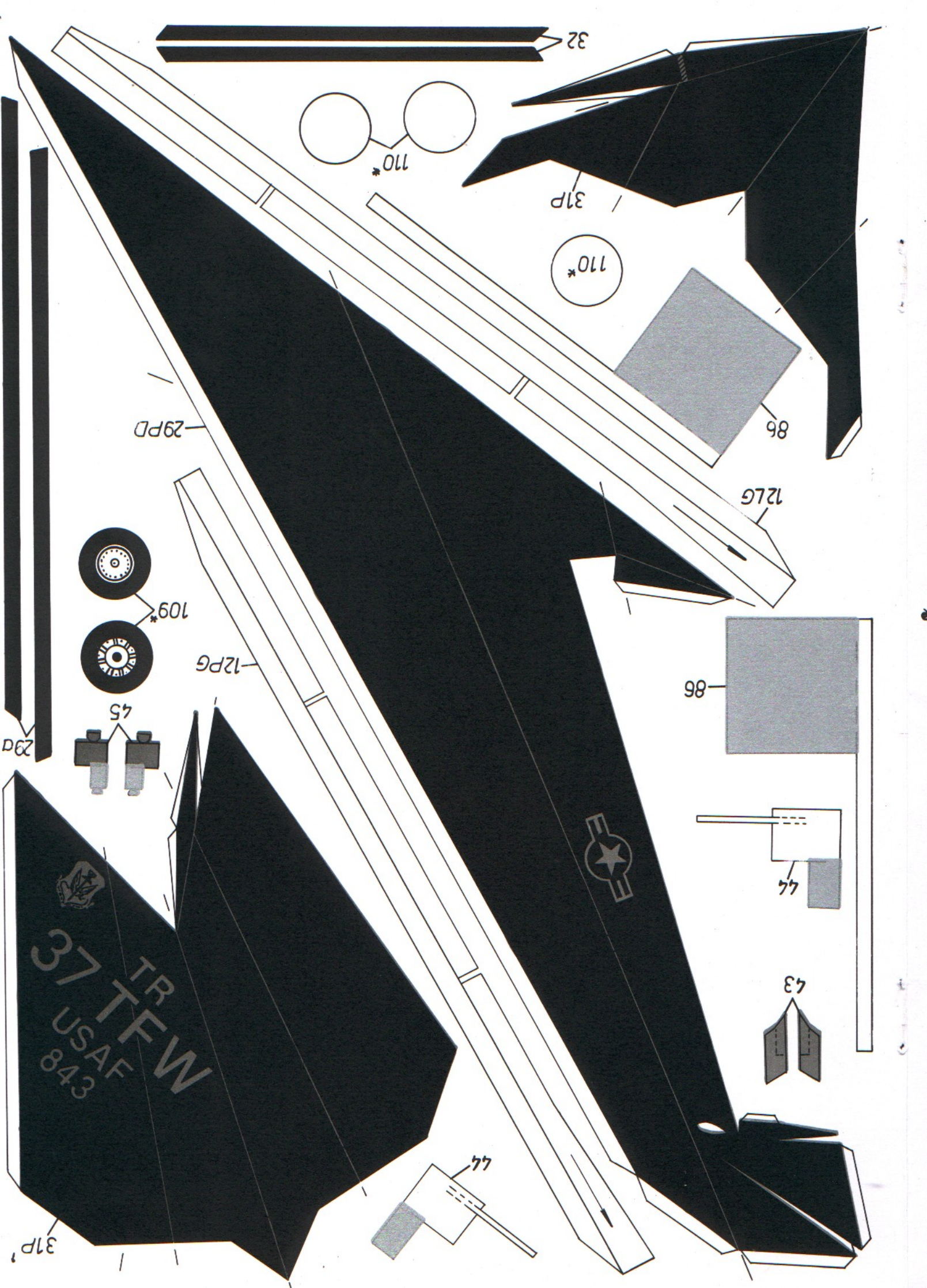
12P*

31L'

103



37 TR
USAF
843 TFW



32

110*

31P

110*

86

12LG

29PD

109*

12PG

75

86

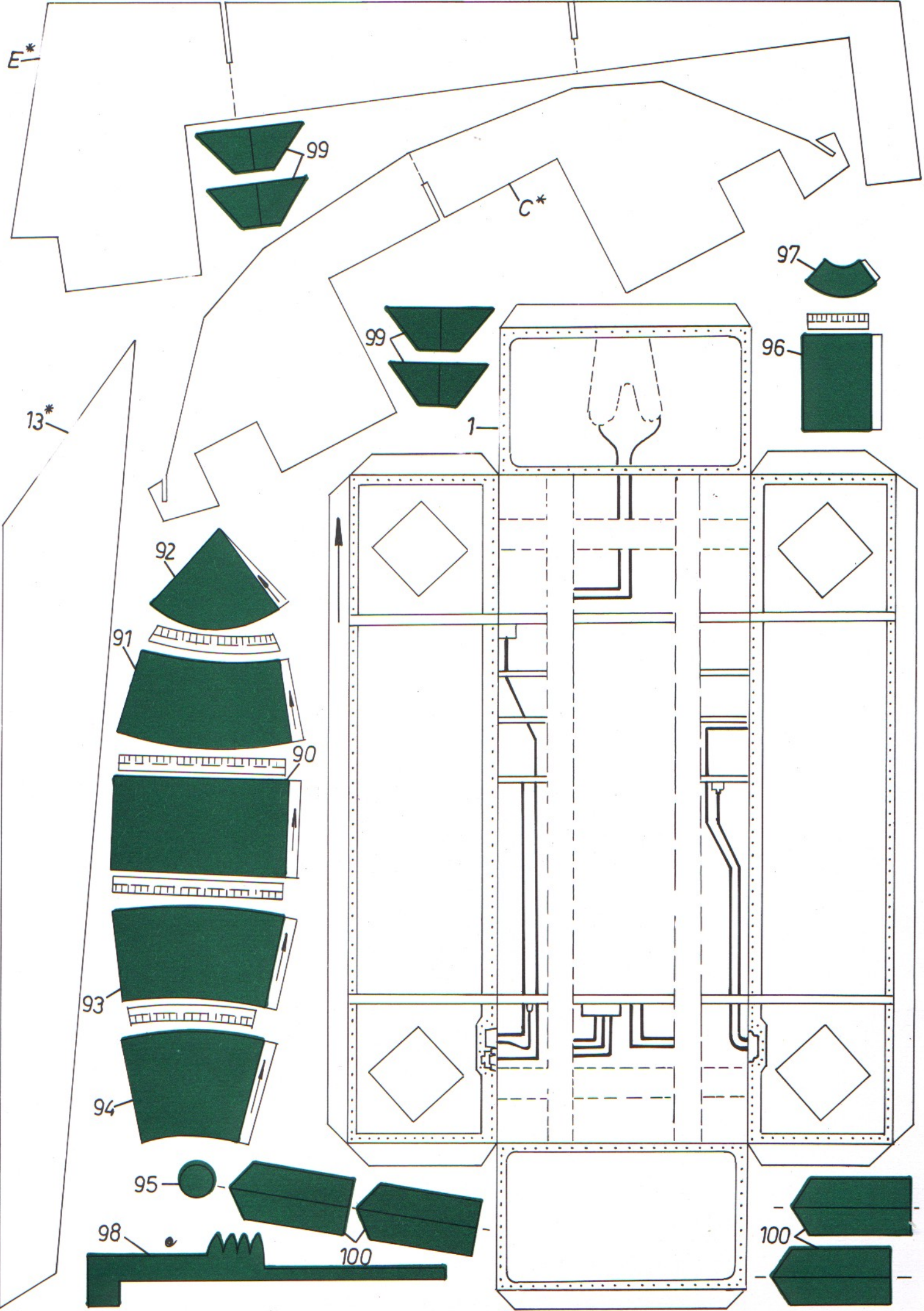
77

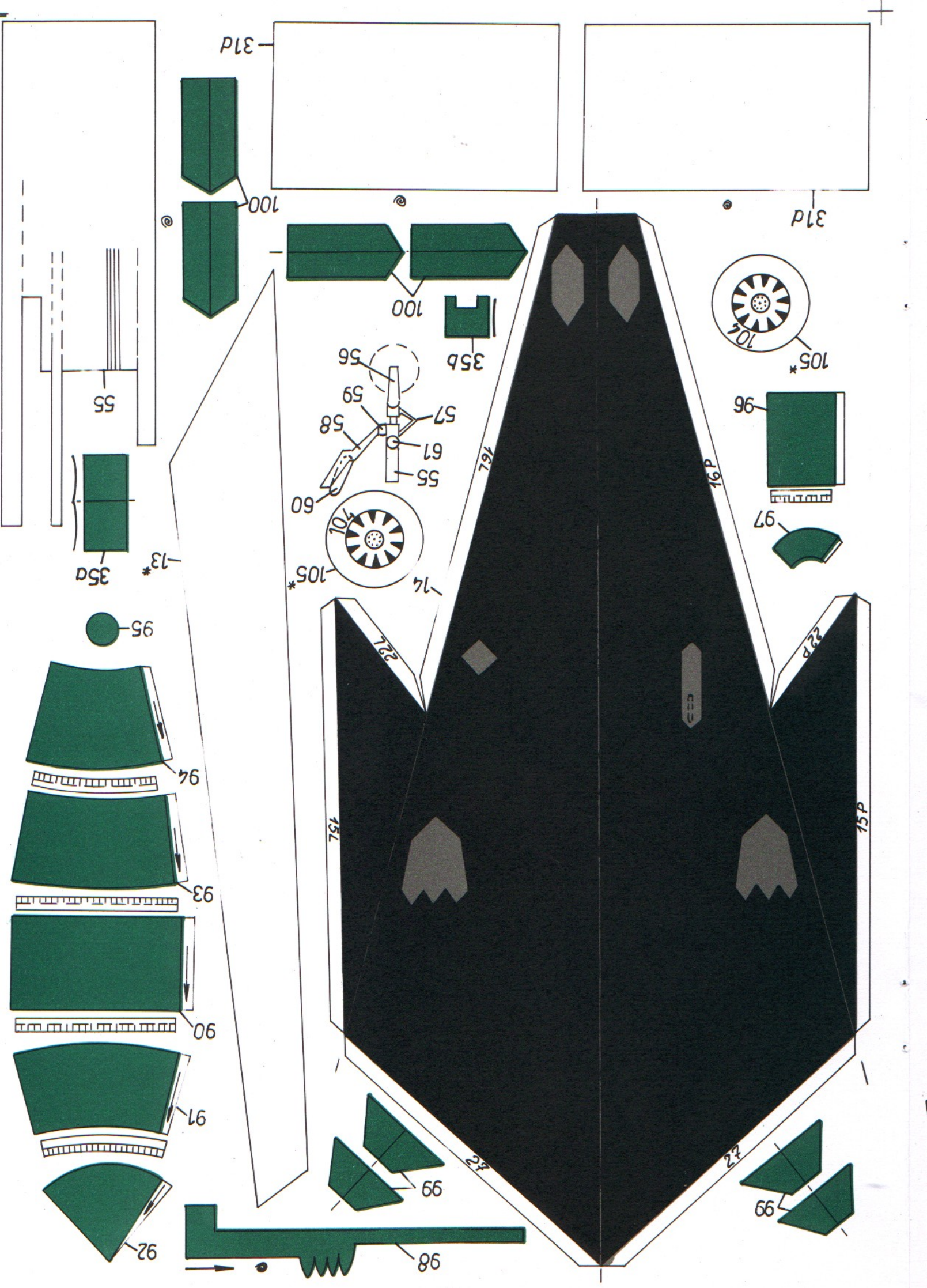
73

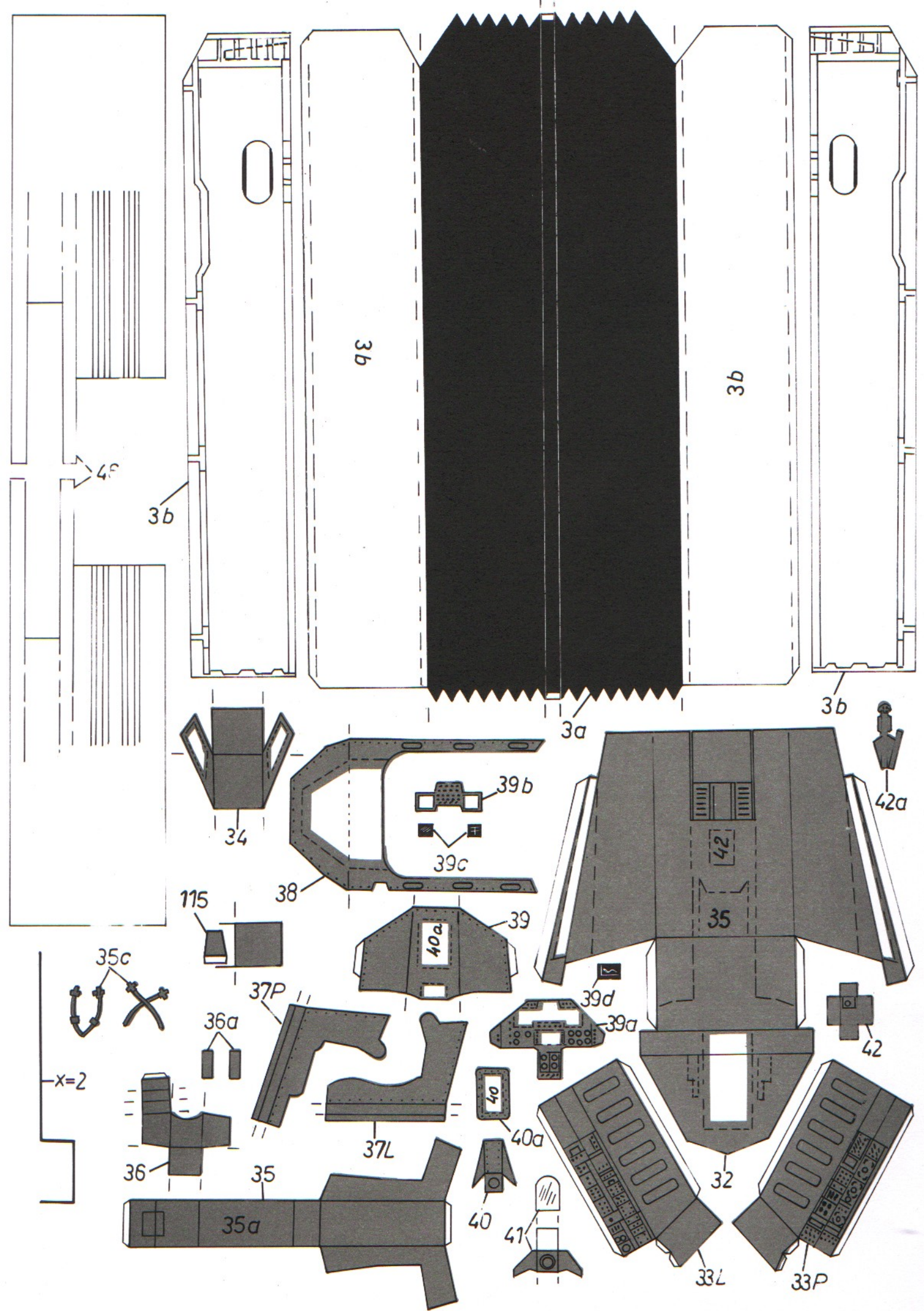
77

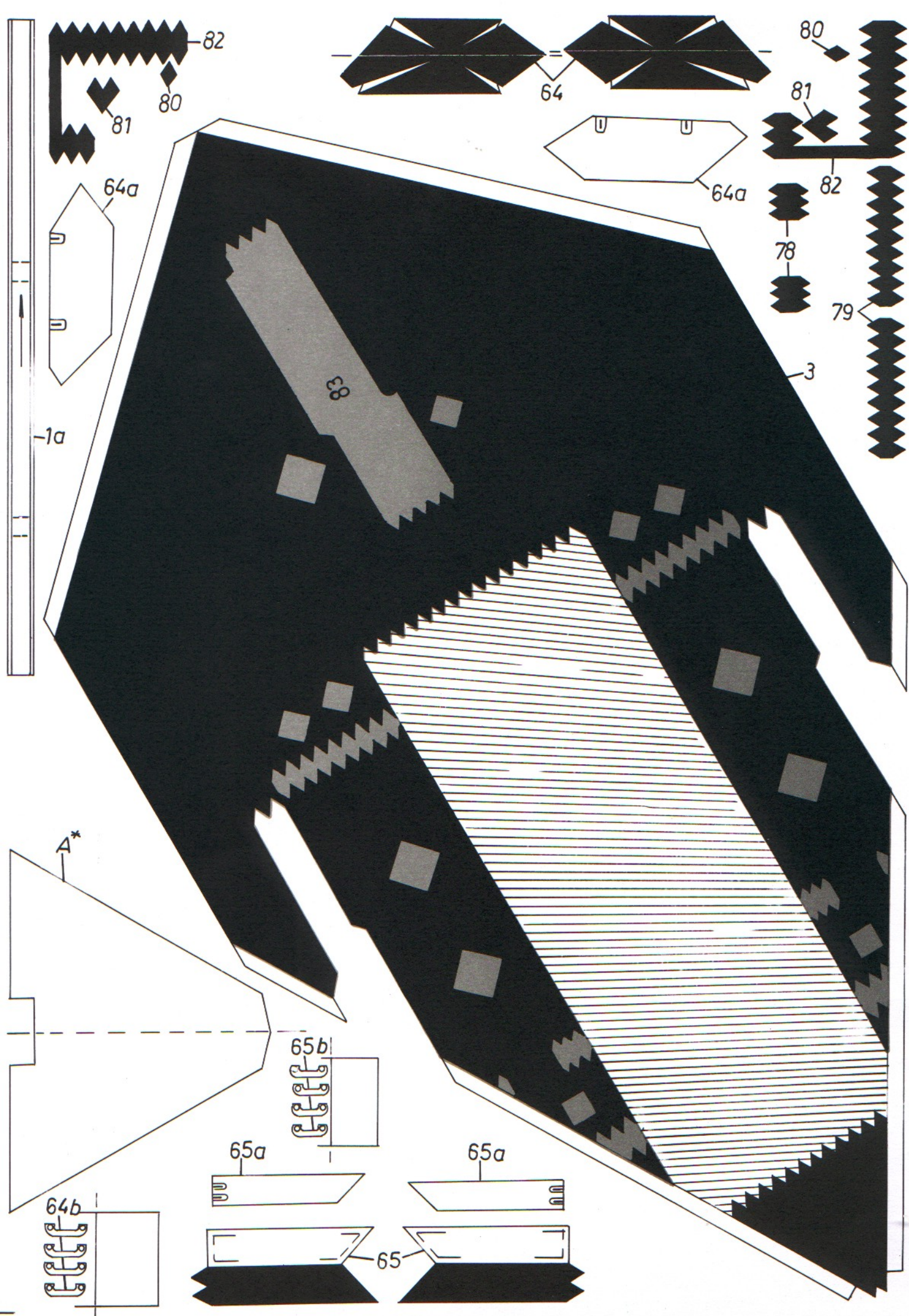
37 TR TFW
USAF
843

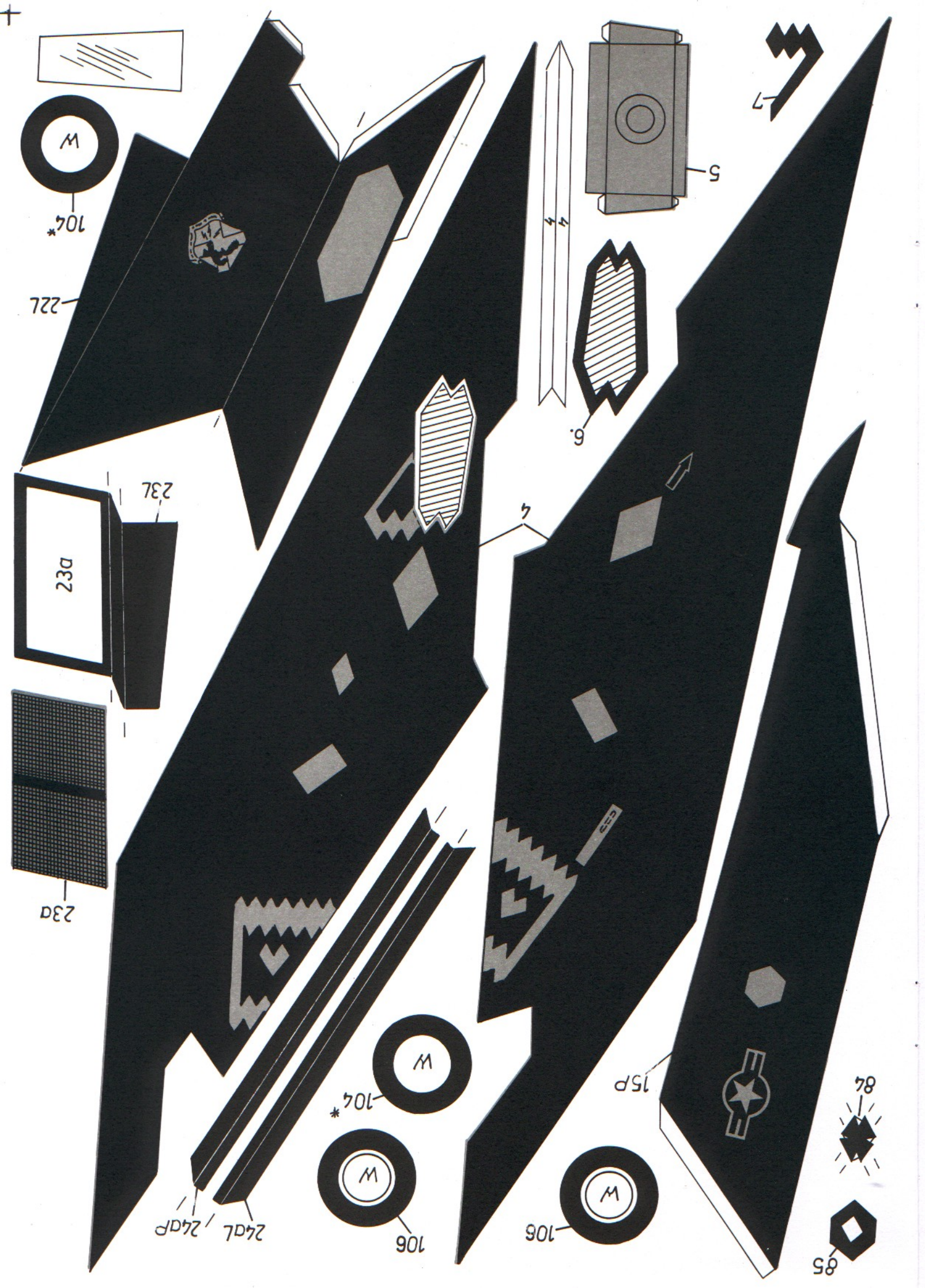
31P

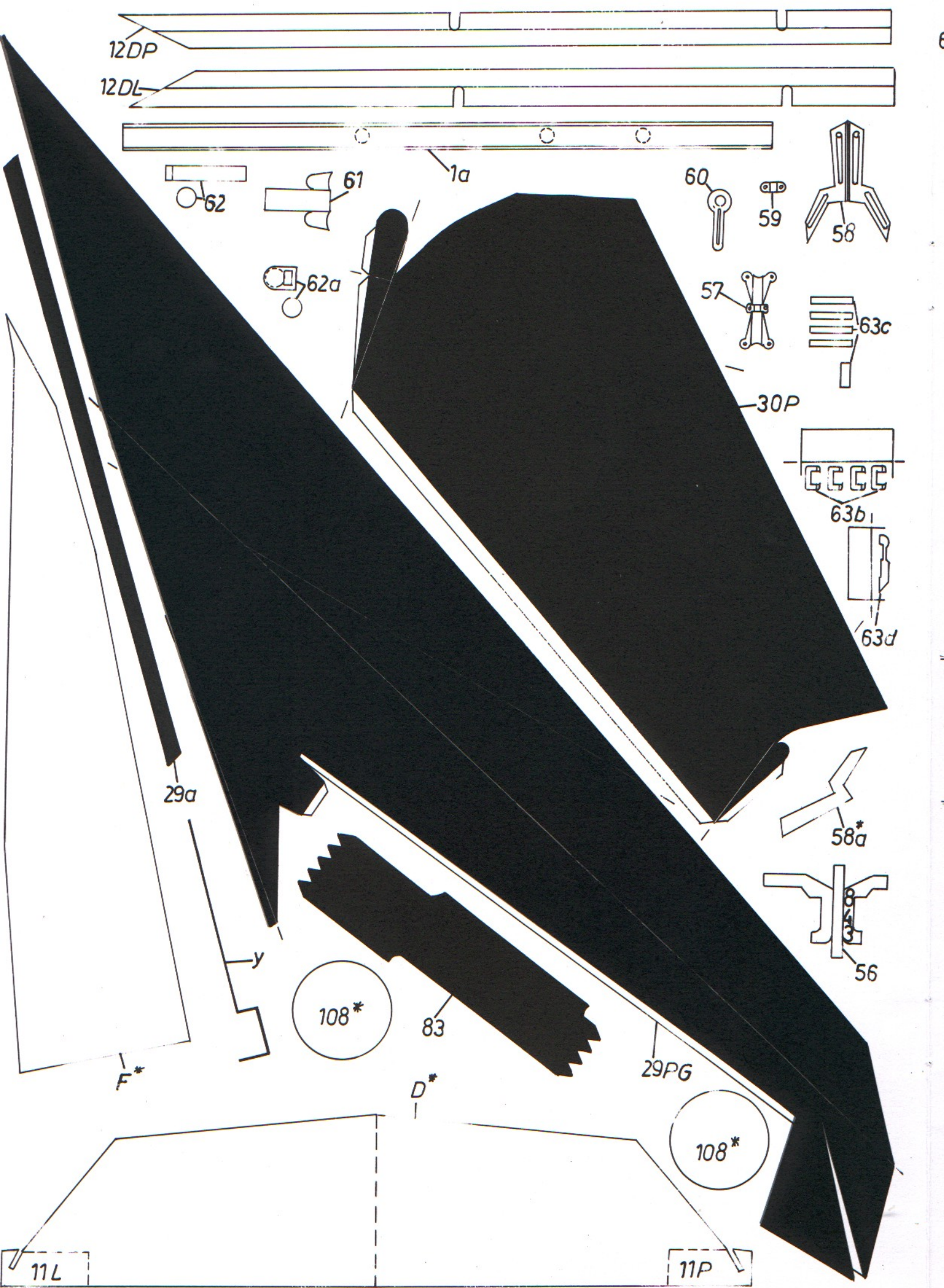


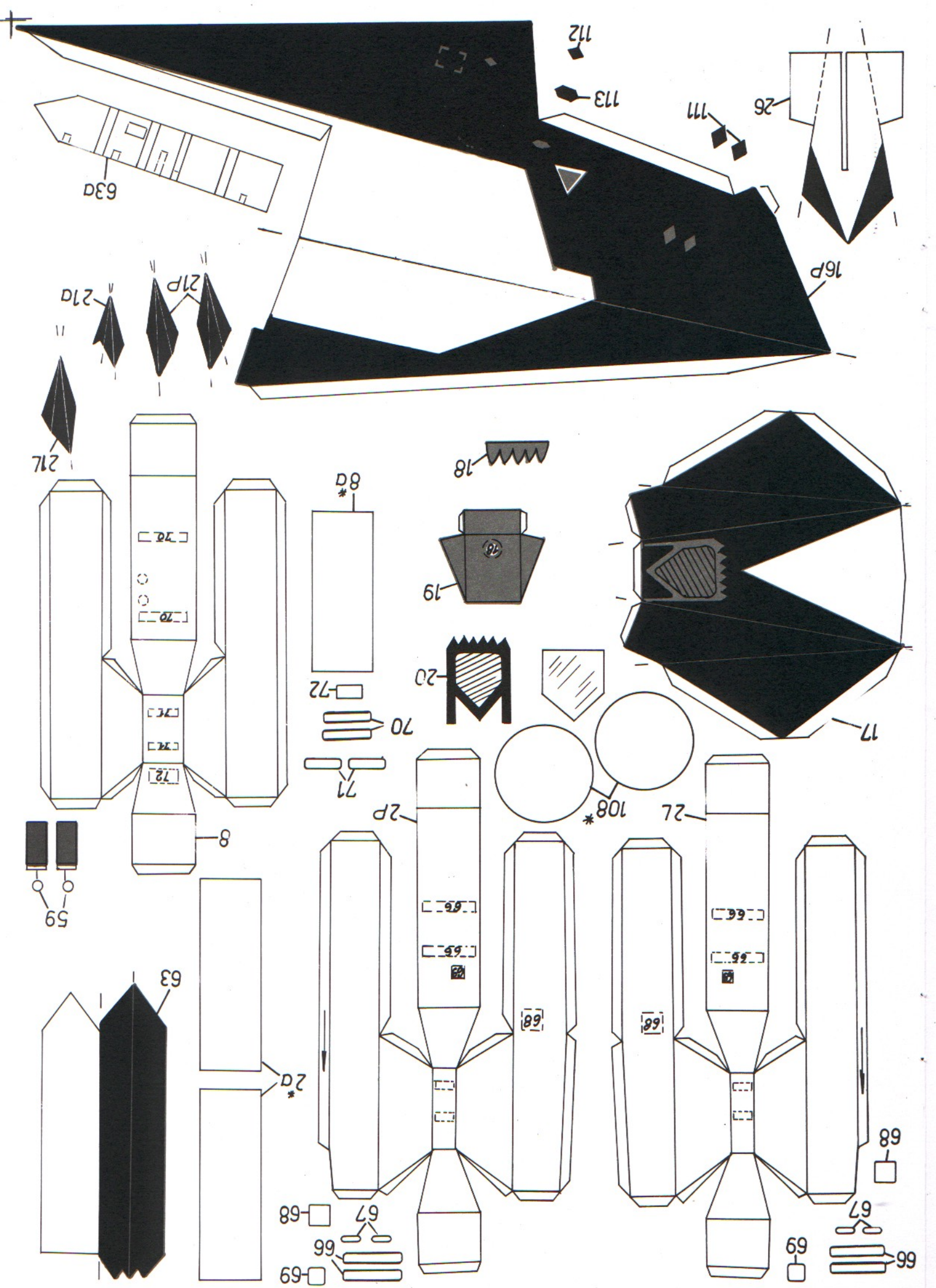


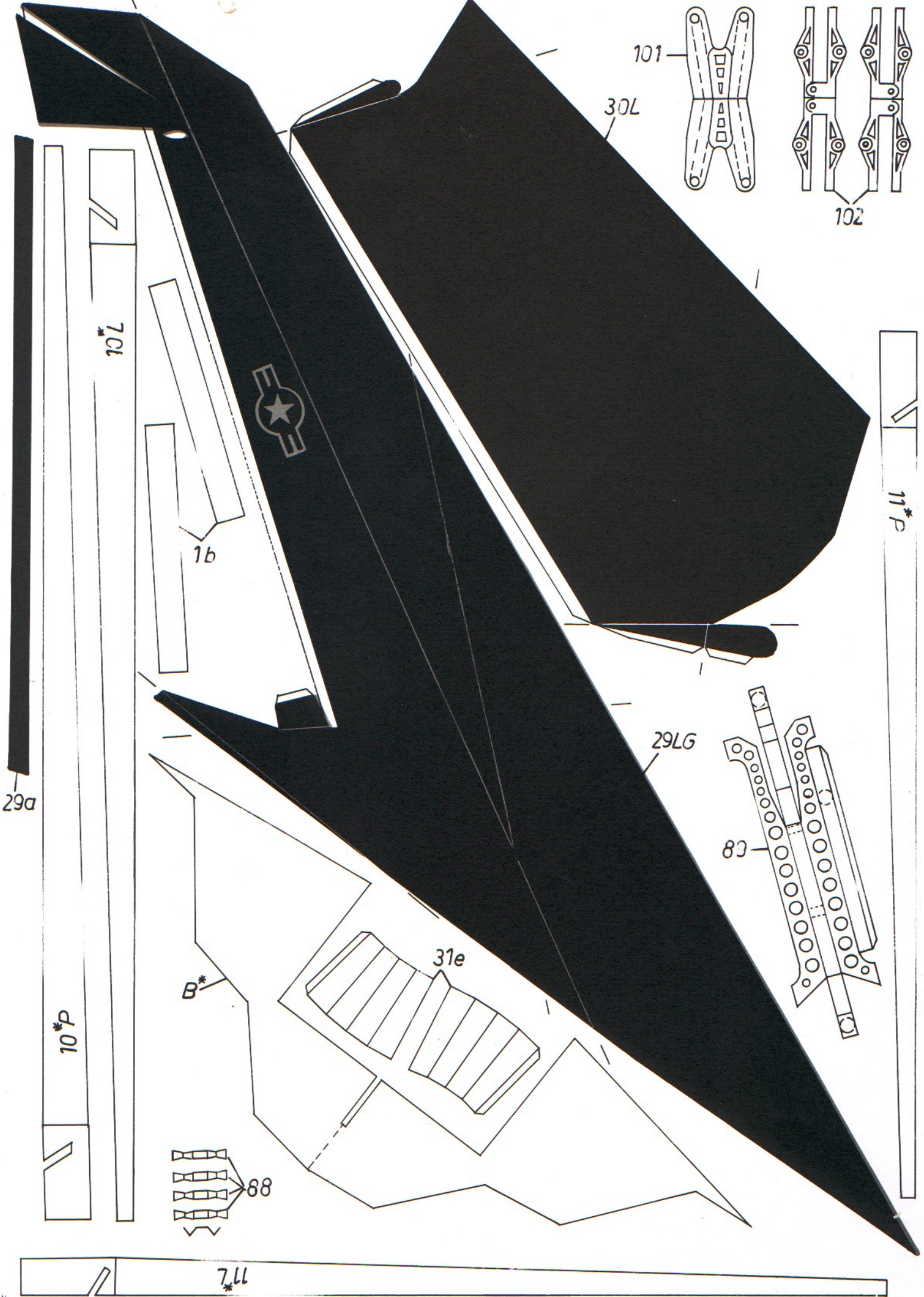




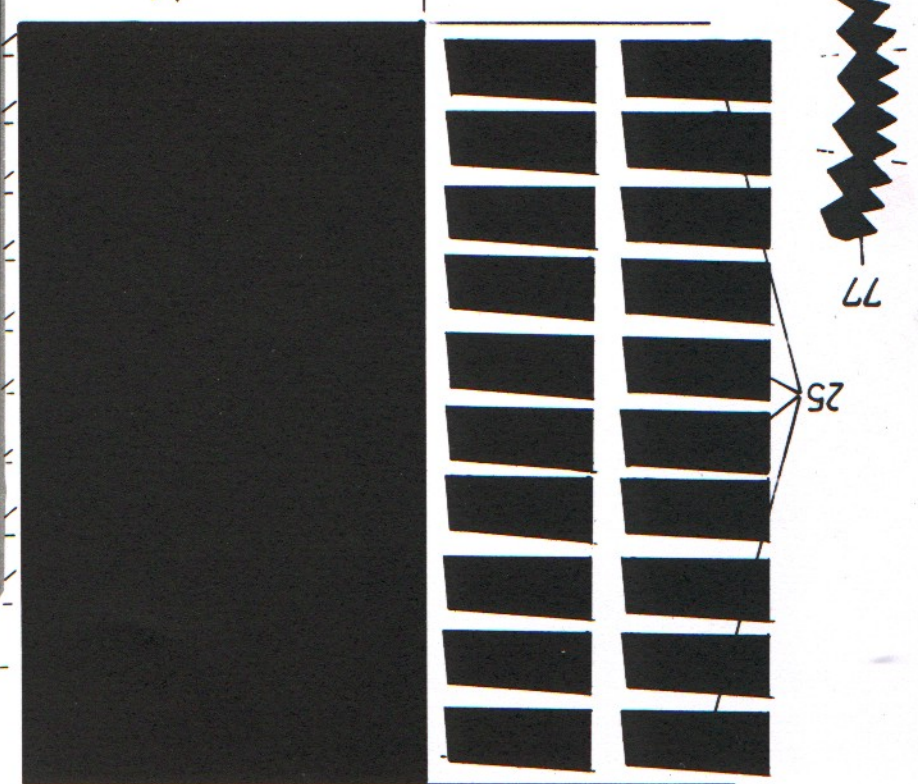
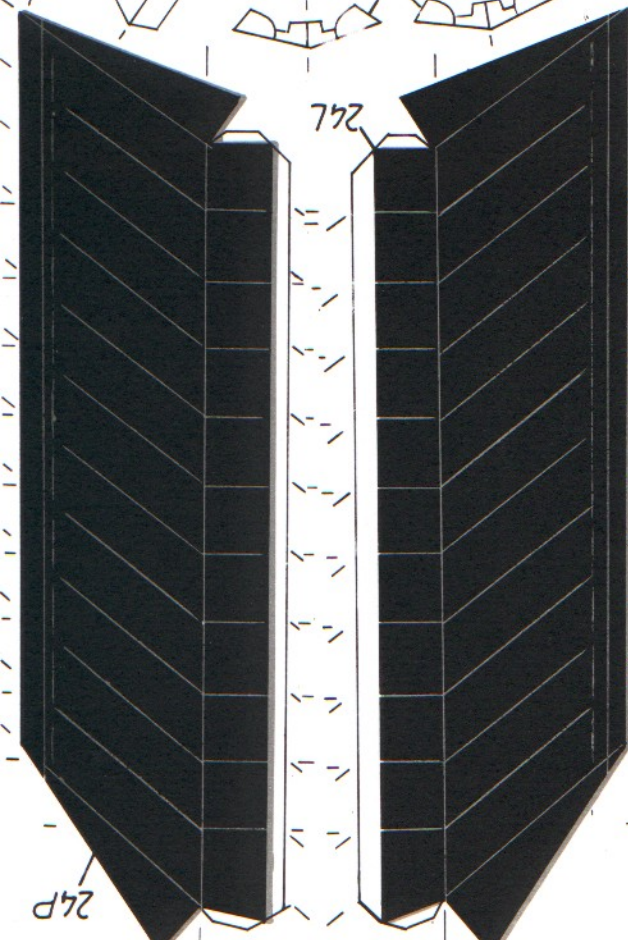
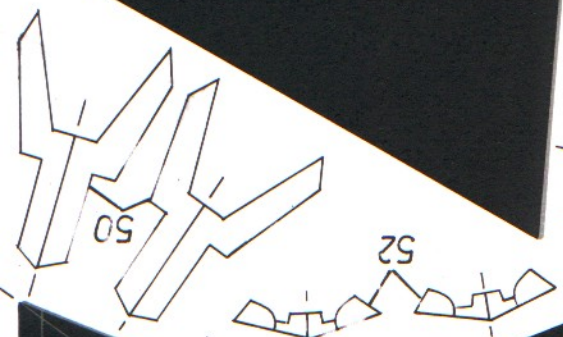
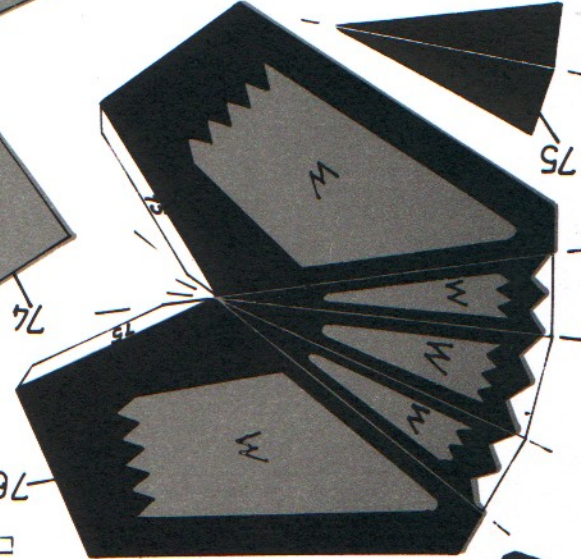
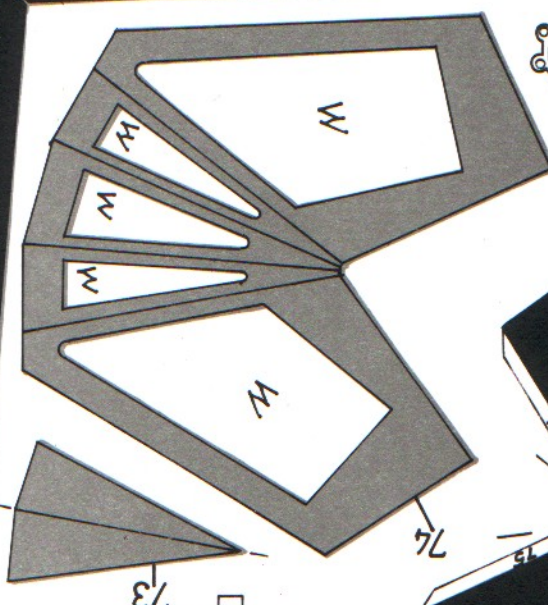
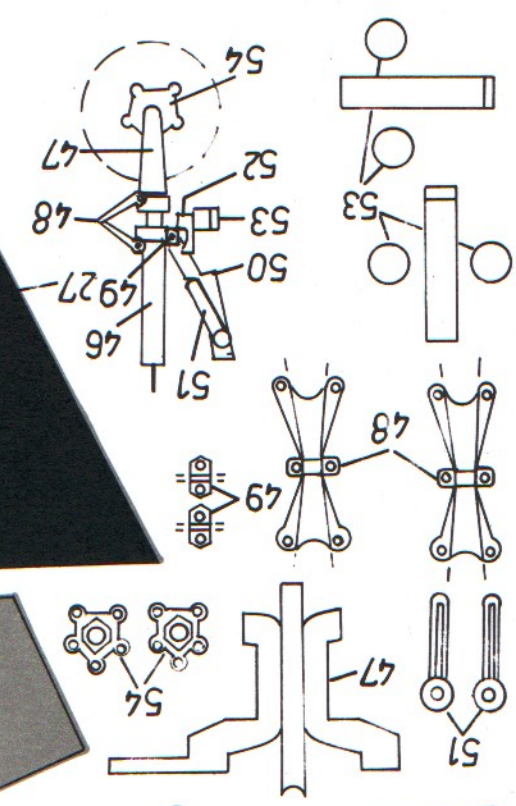
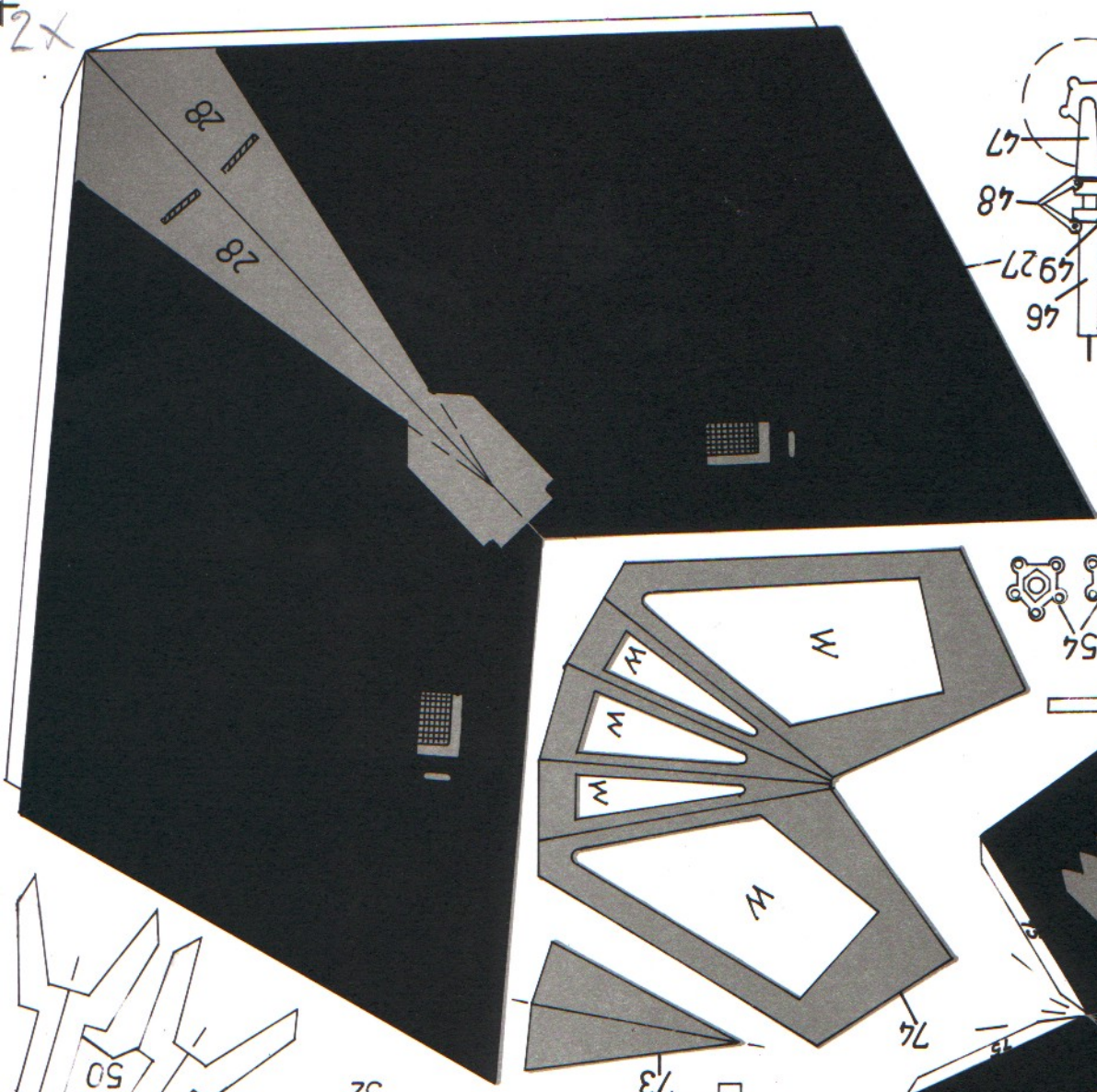


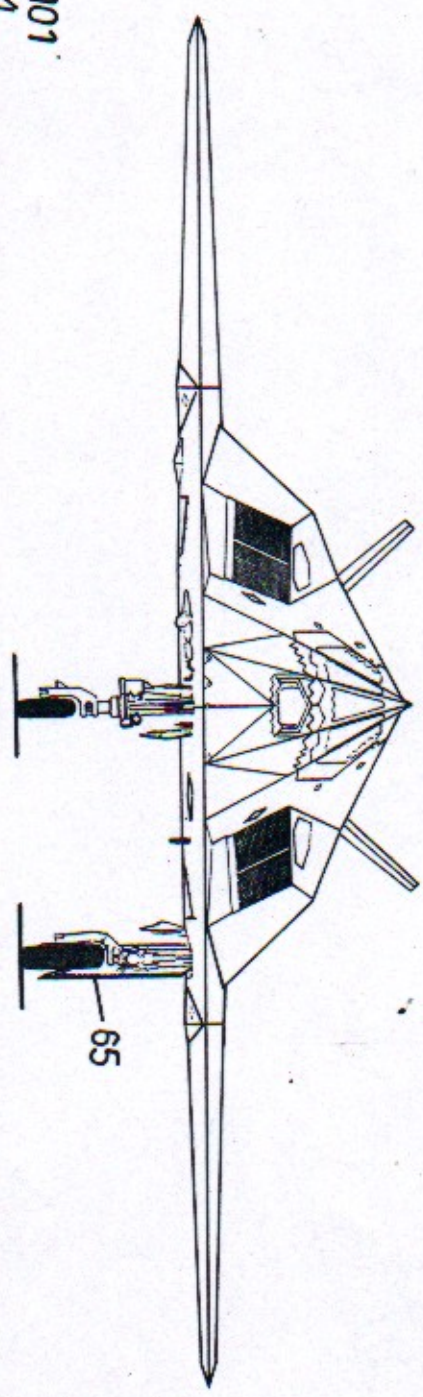
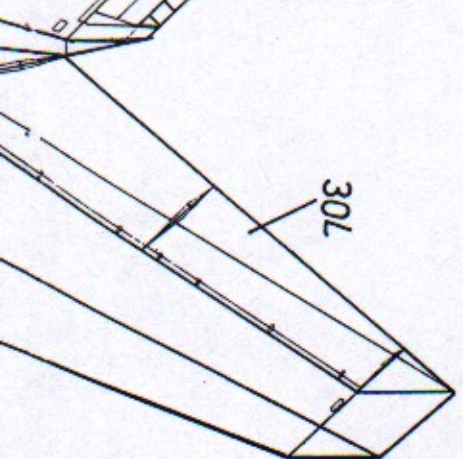
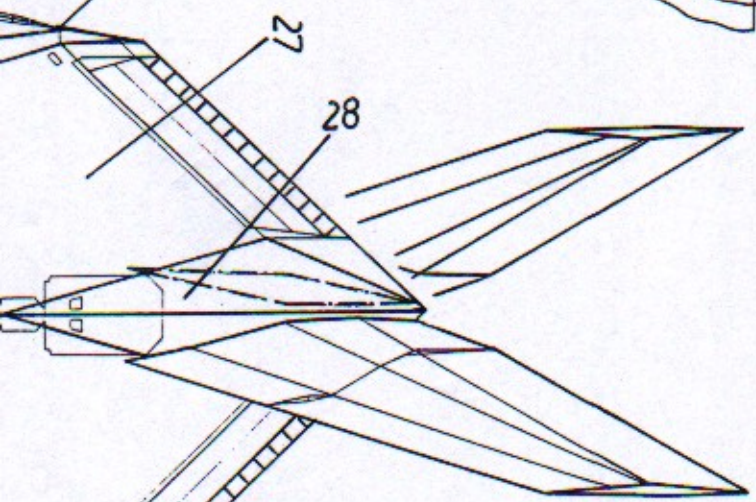
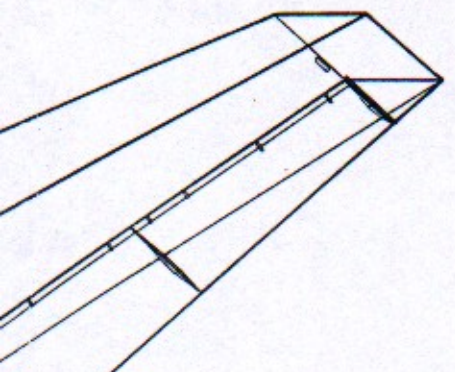
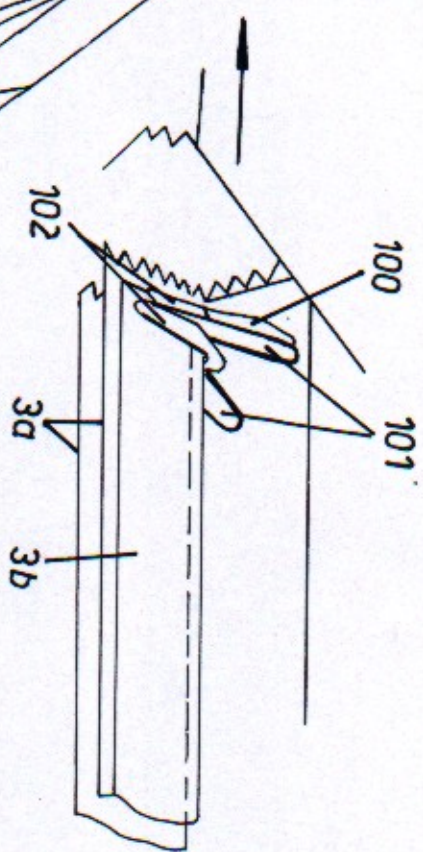
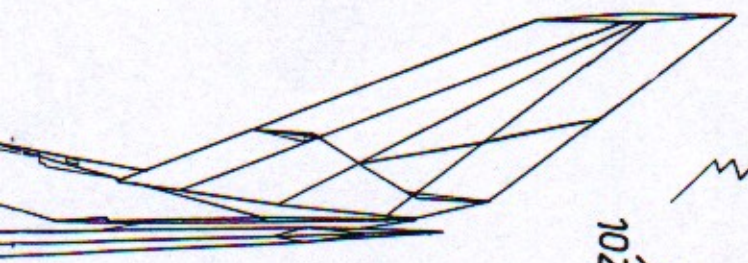


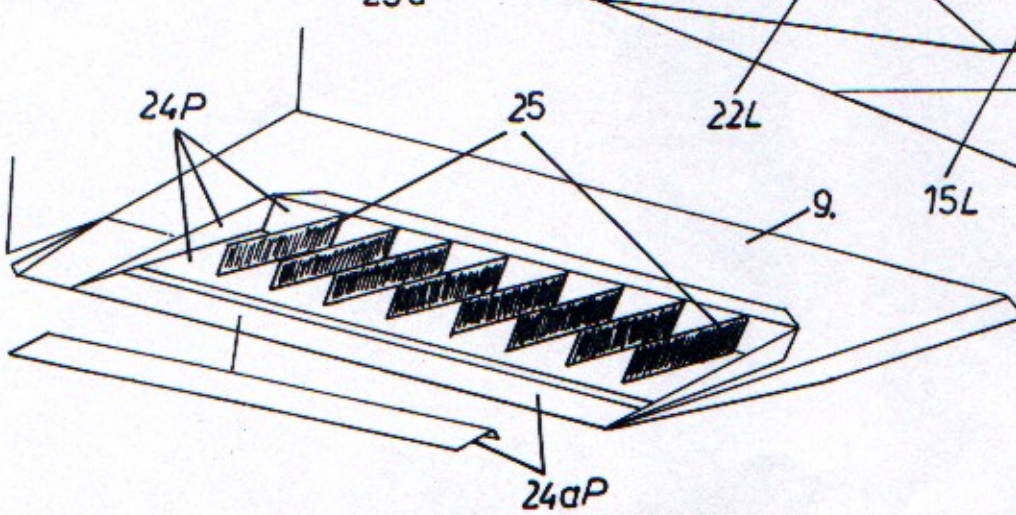
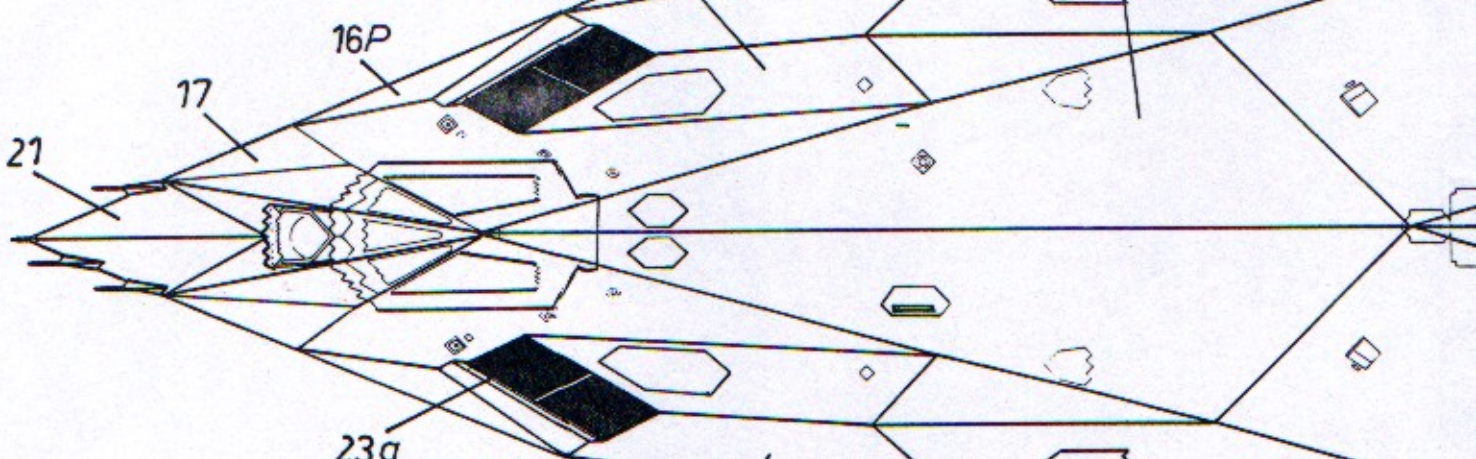
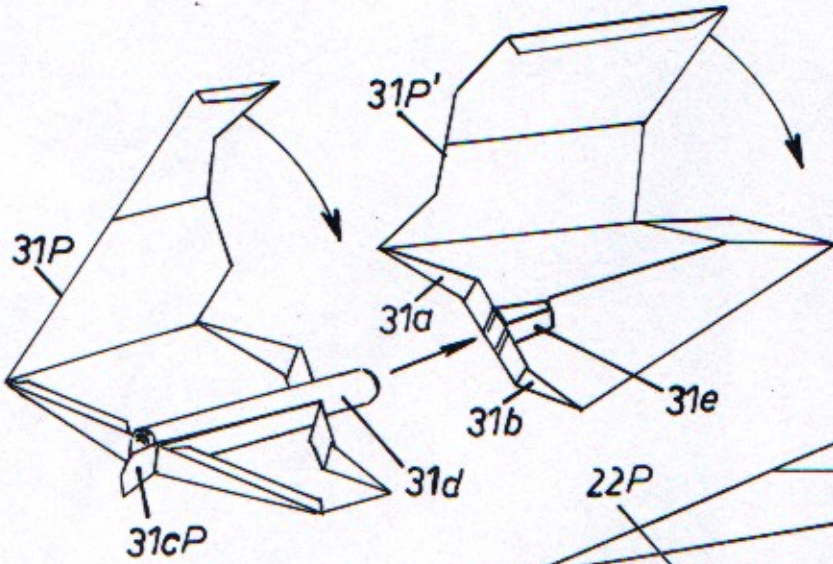




2x







AX

