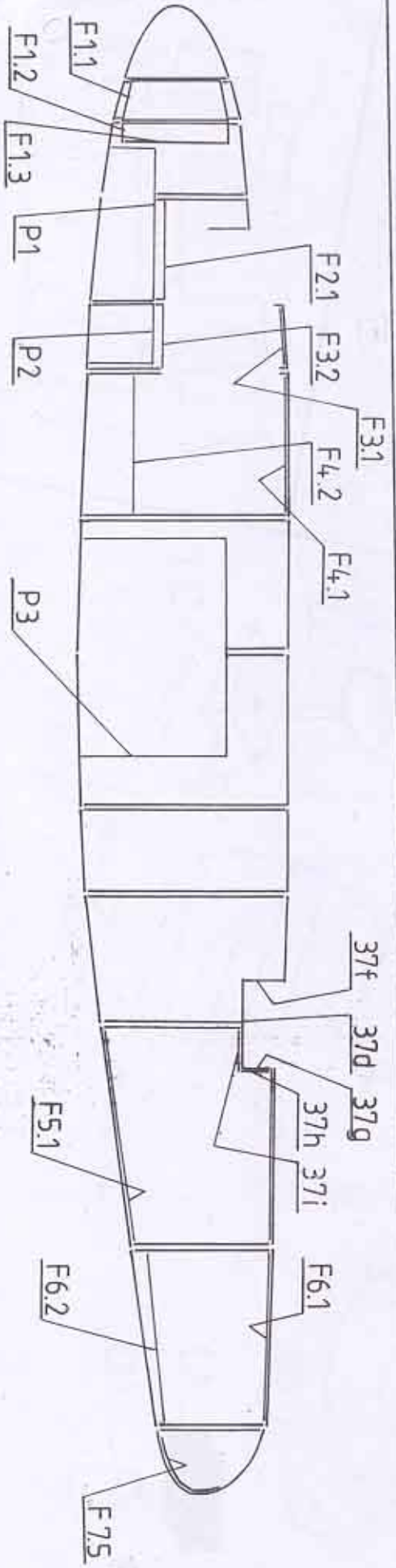
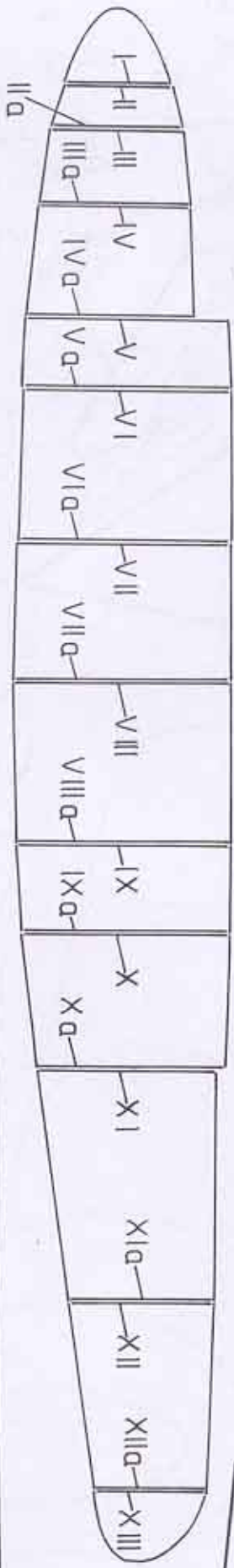
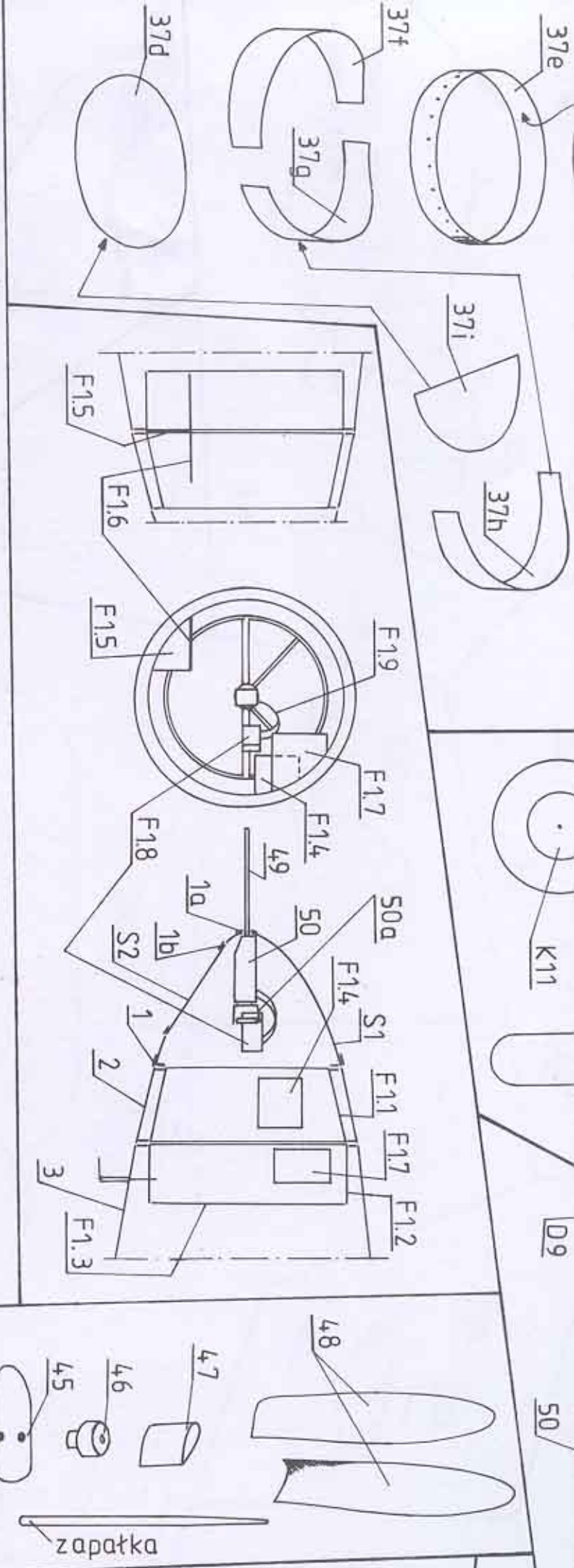
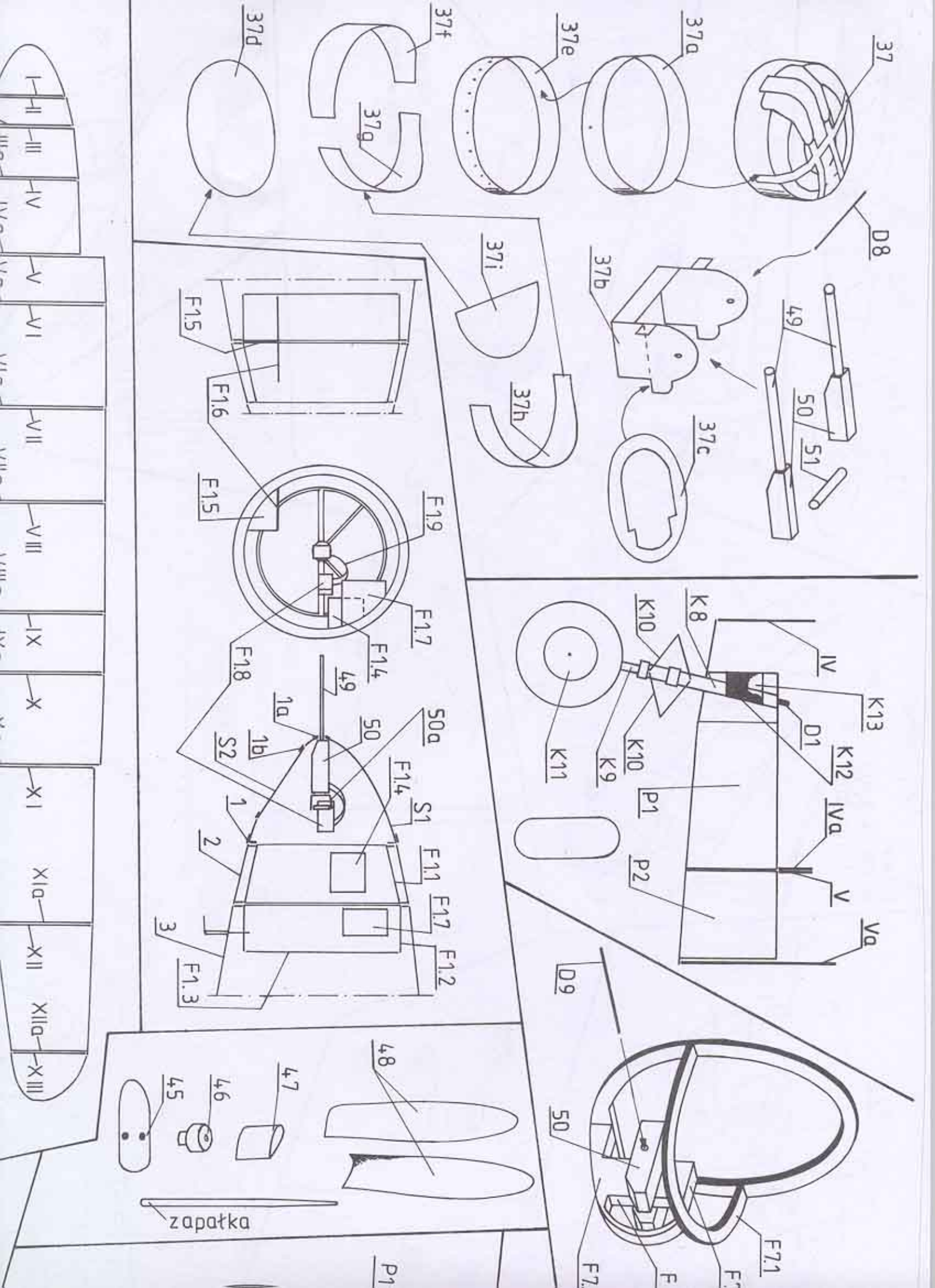


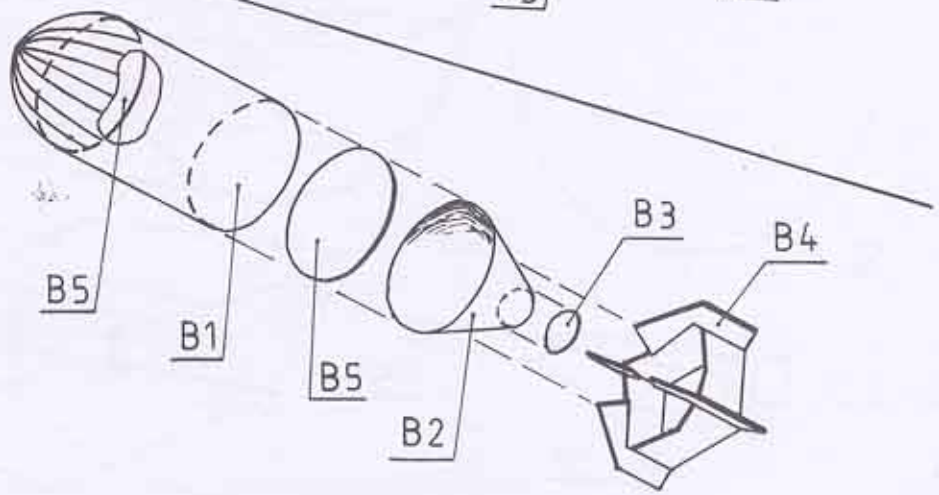
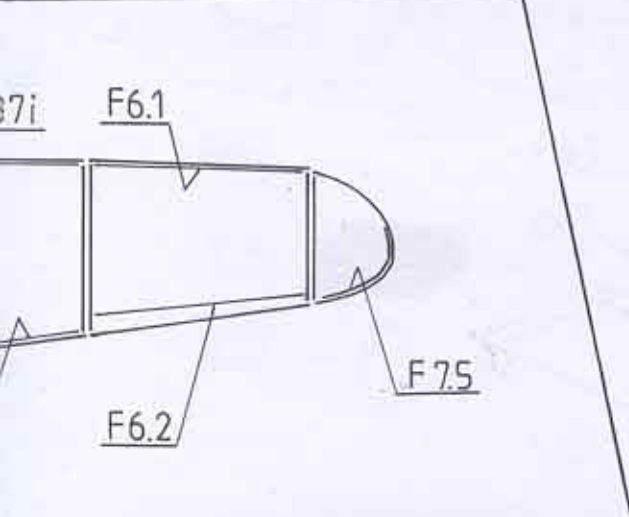
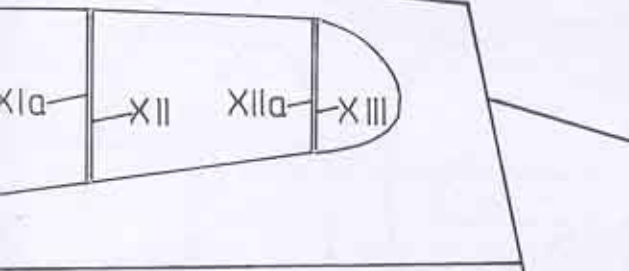
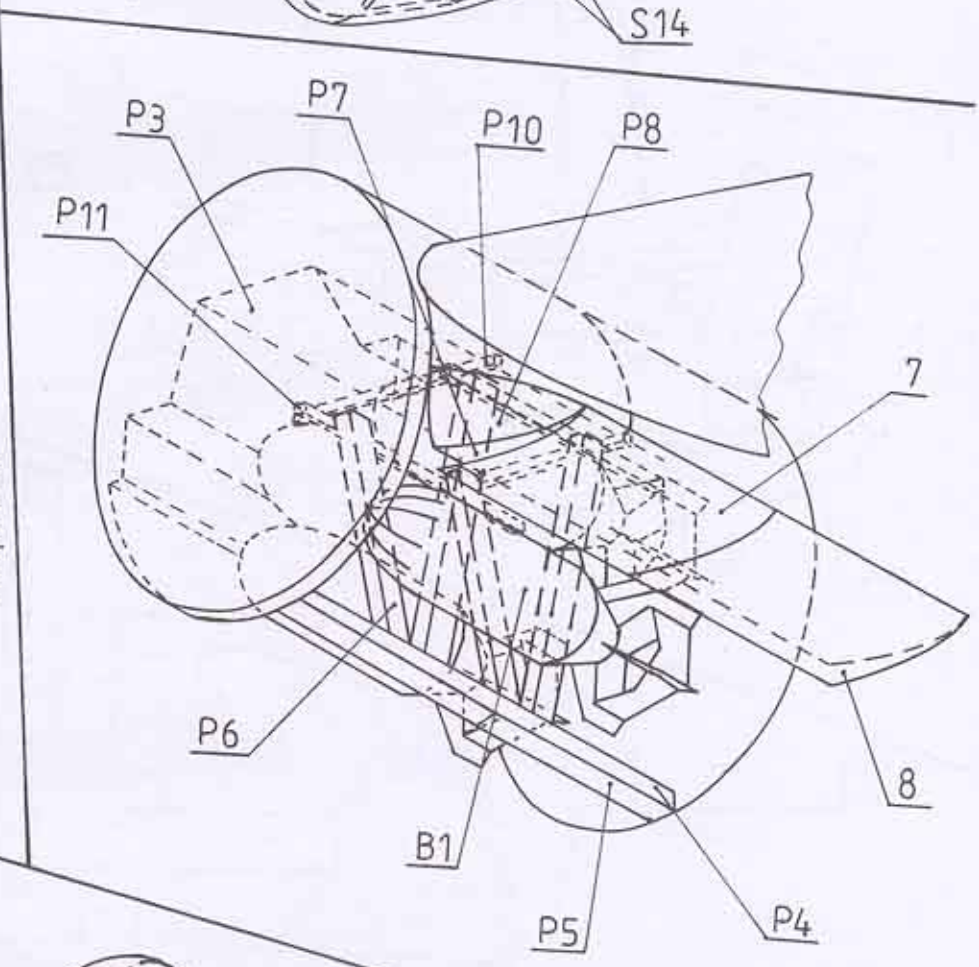
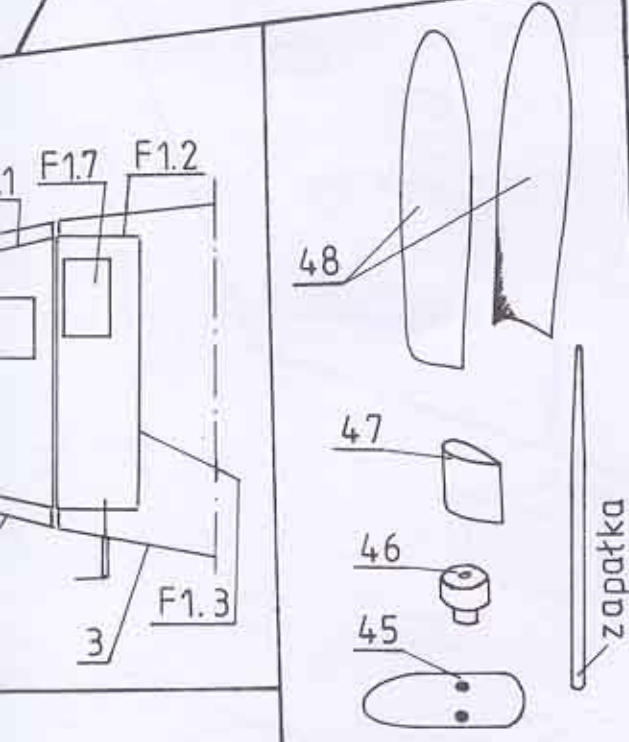
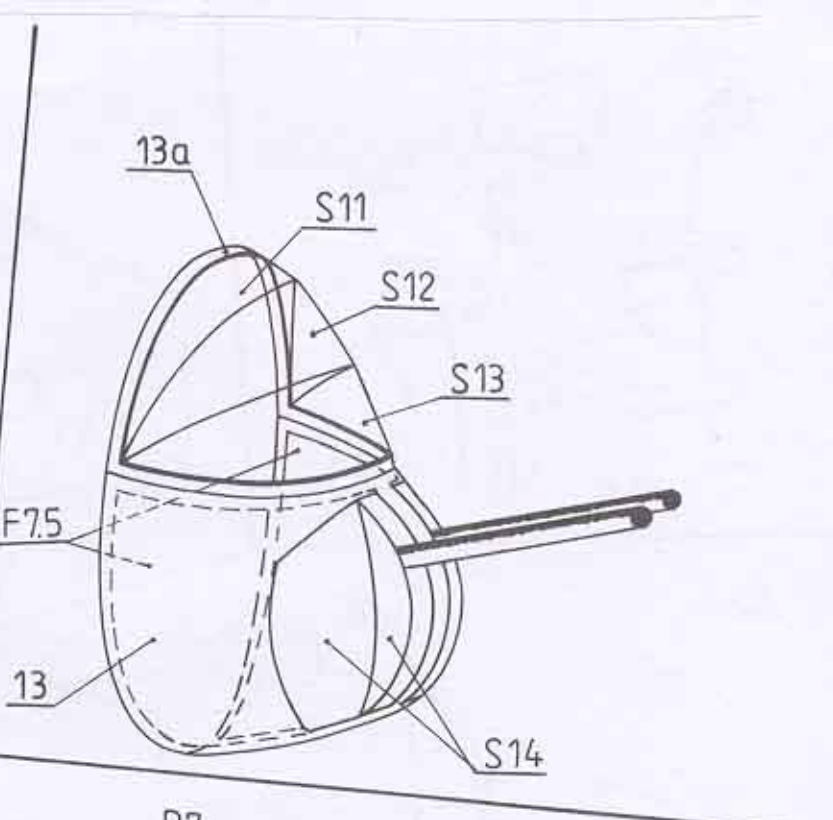
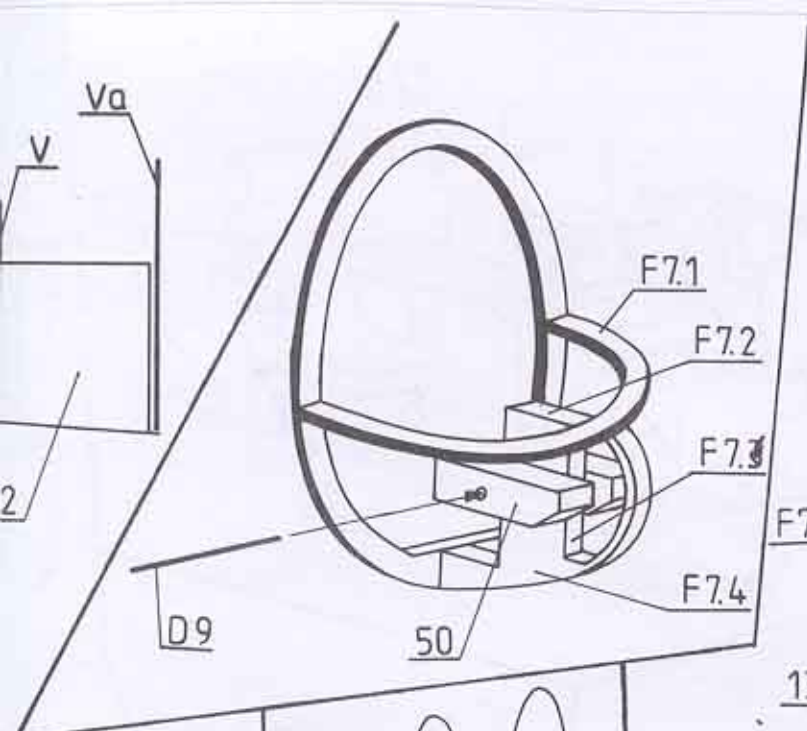
Dea Feater

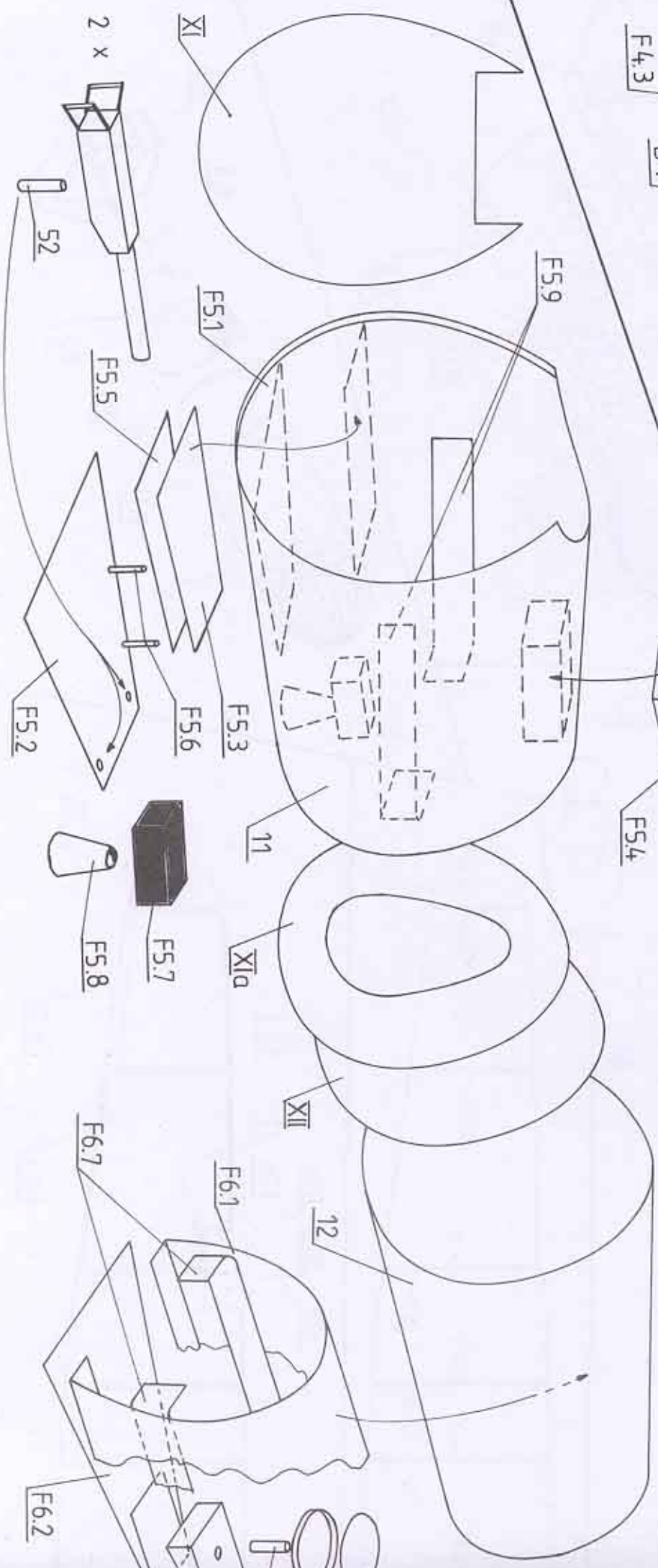
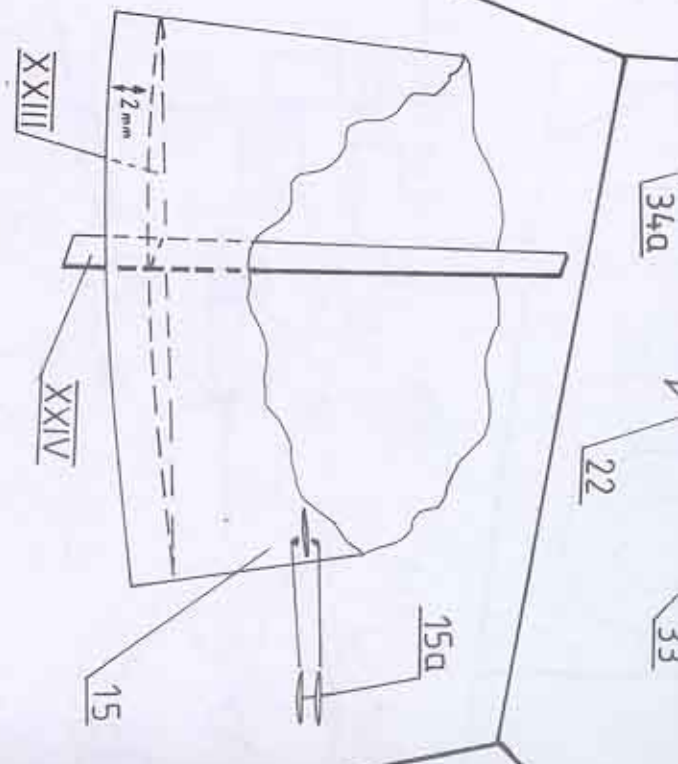
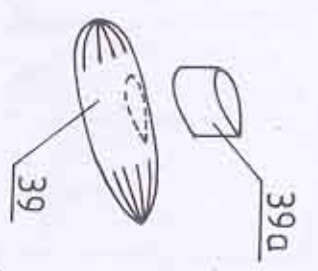
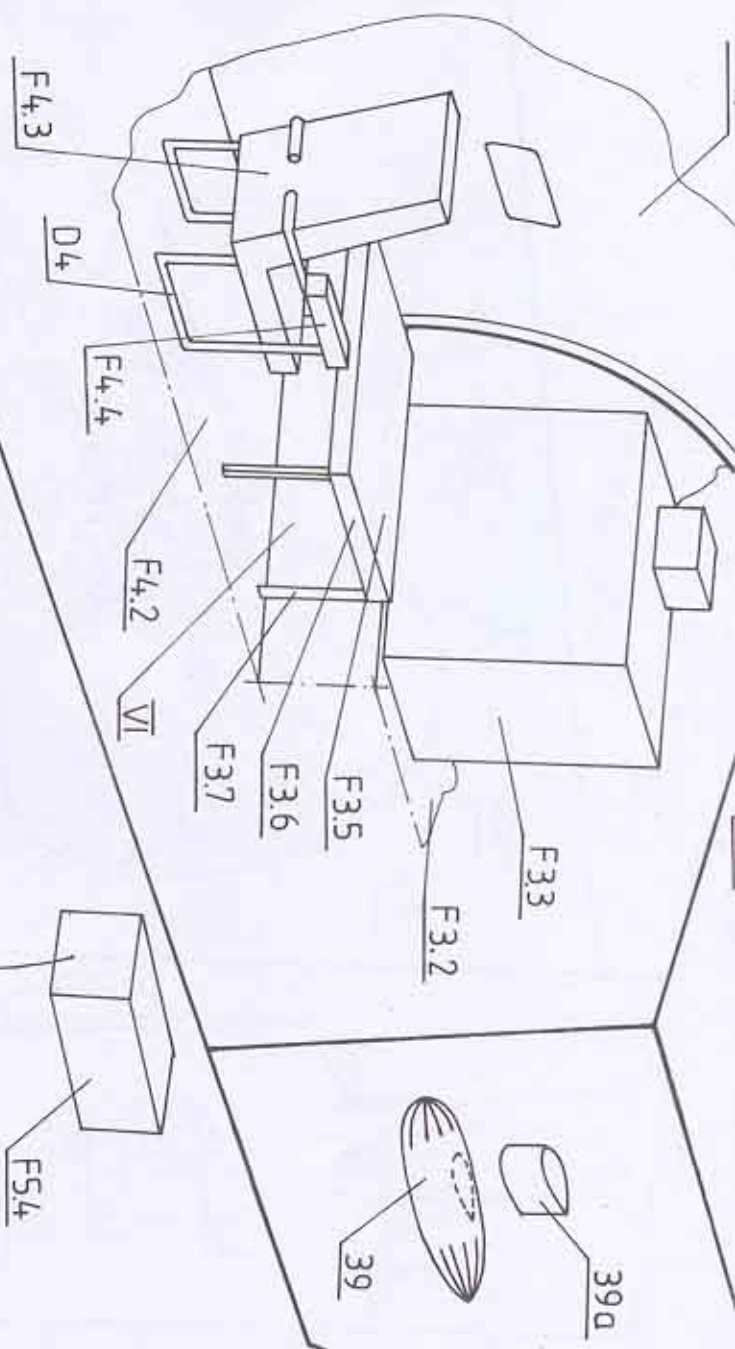
44-23642

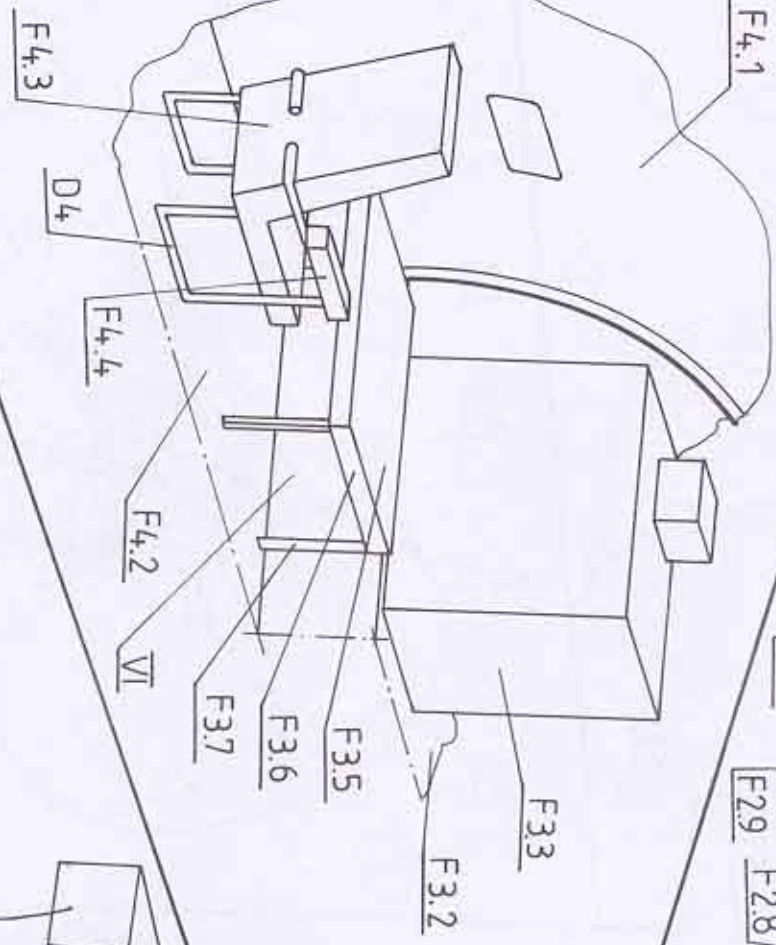
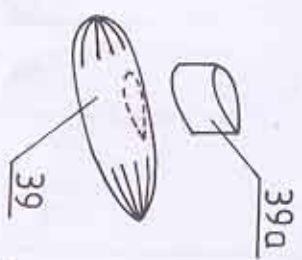
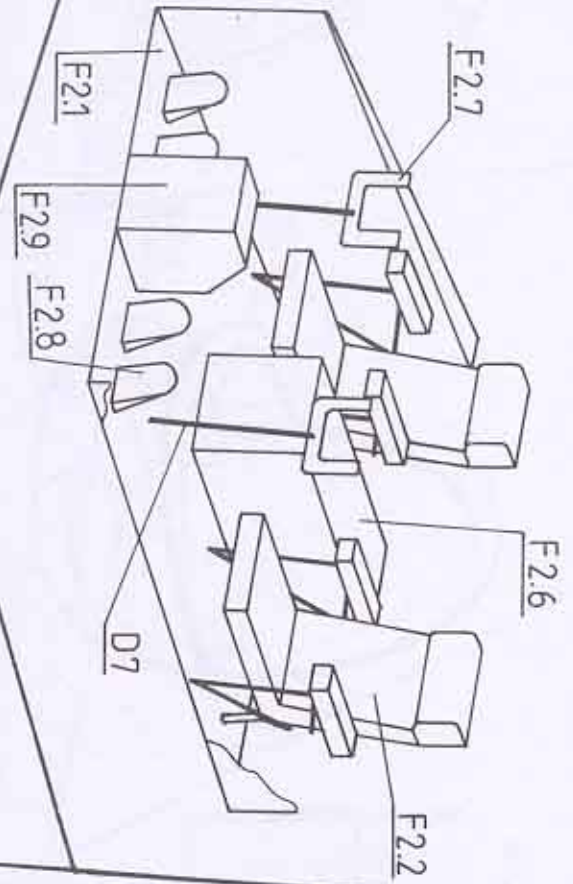
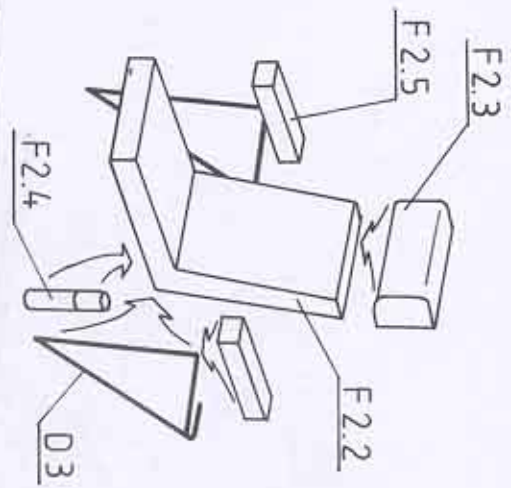
44-23642



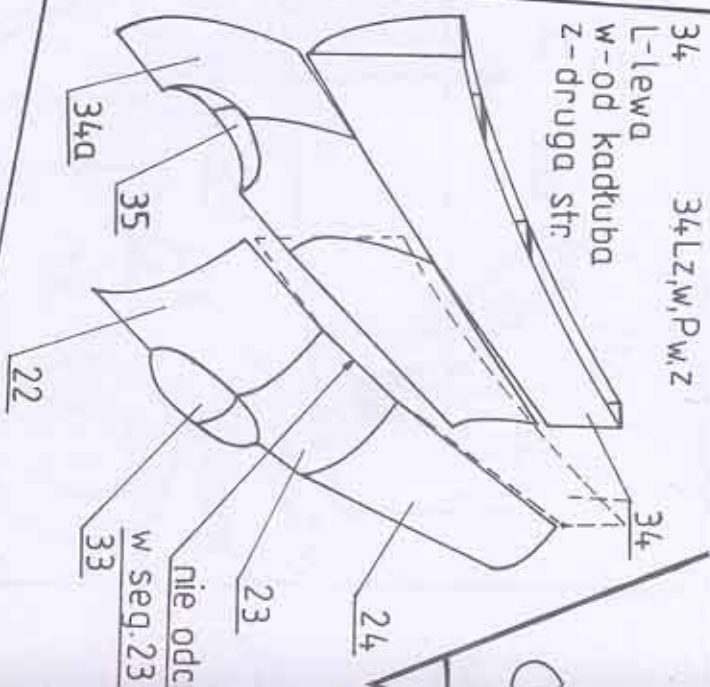
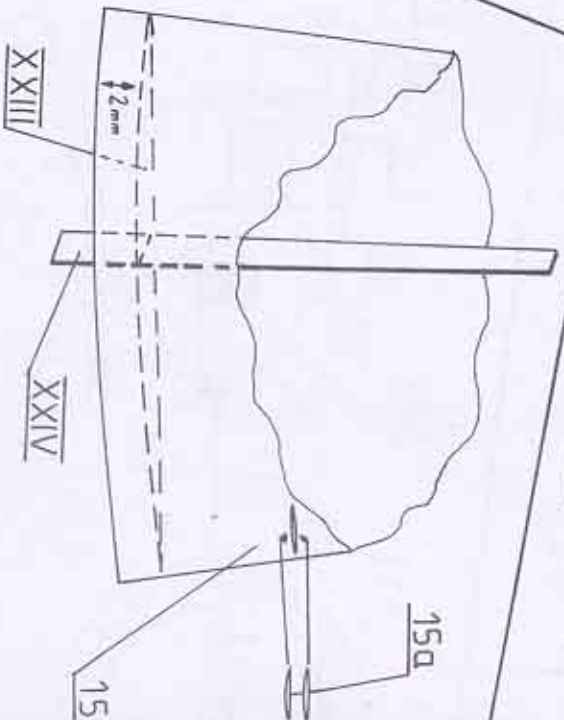






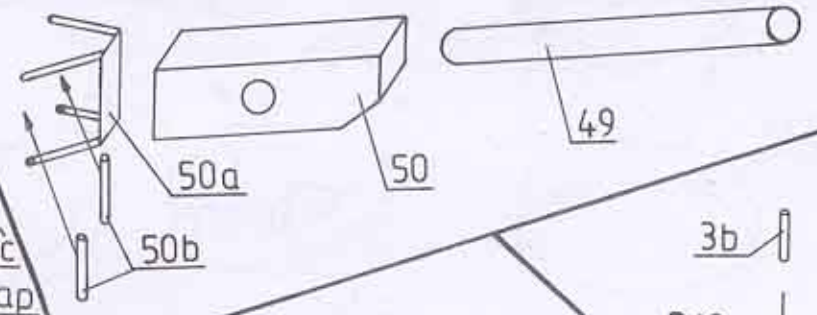
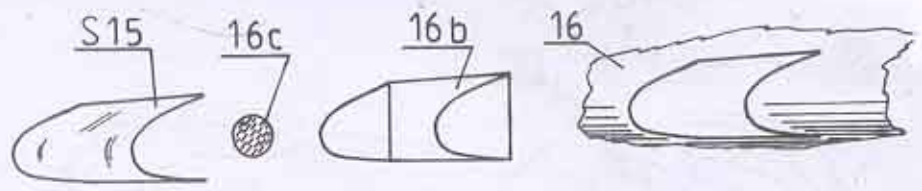
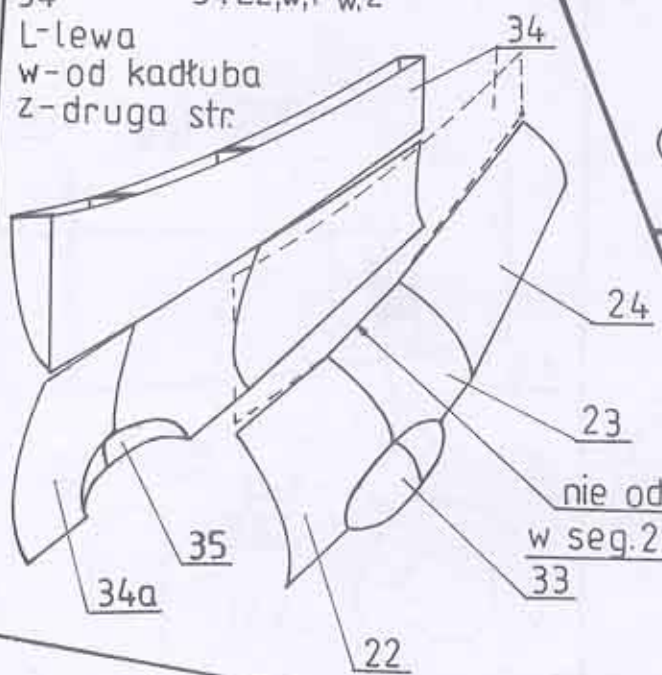


F5.9

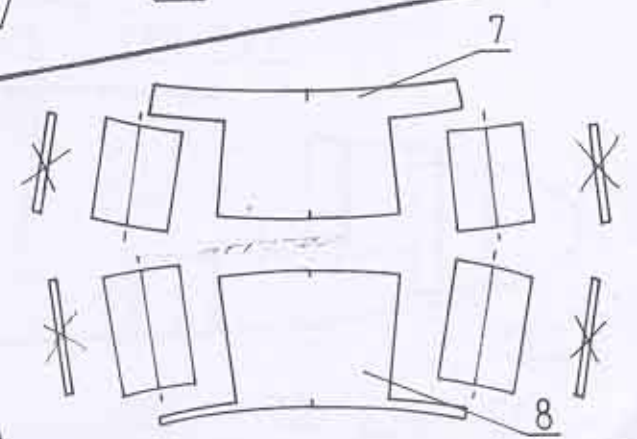
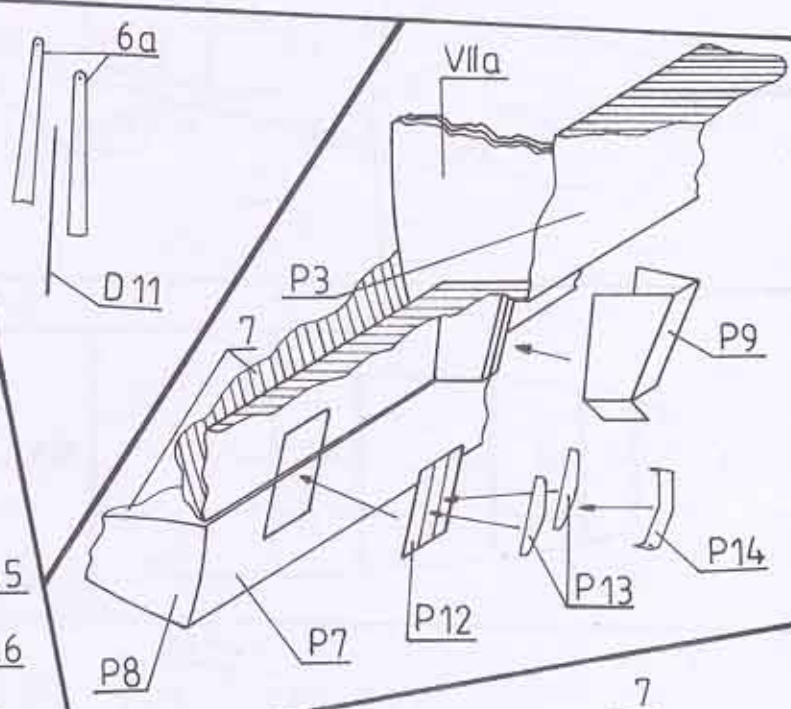
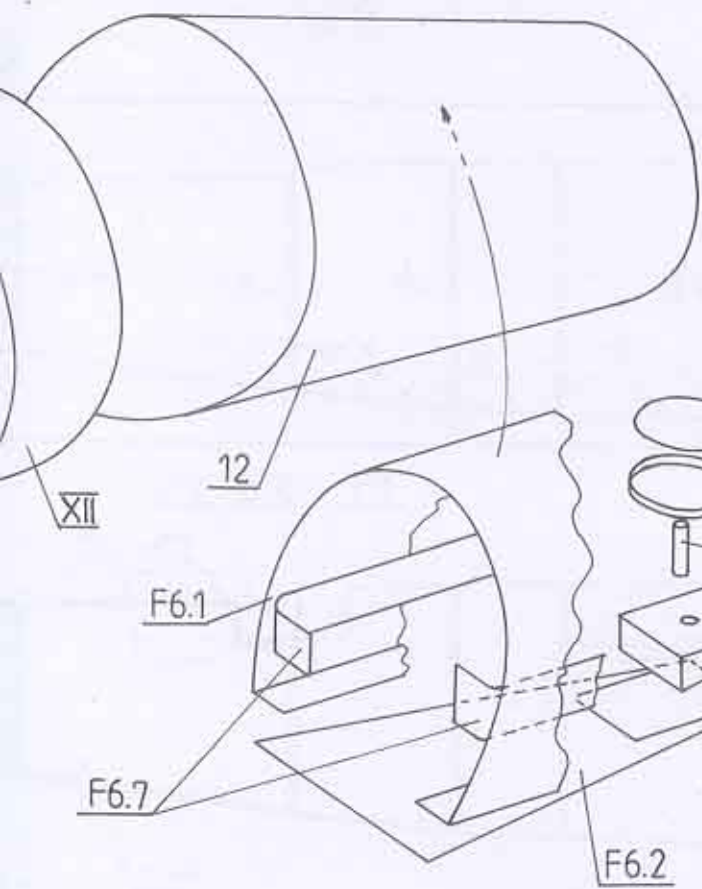
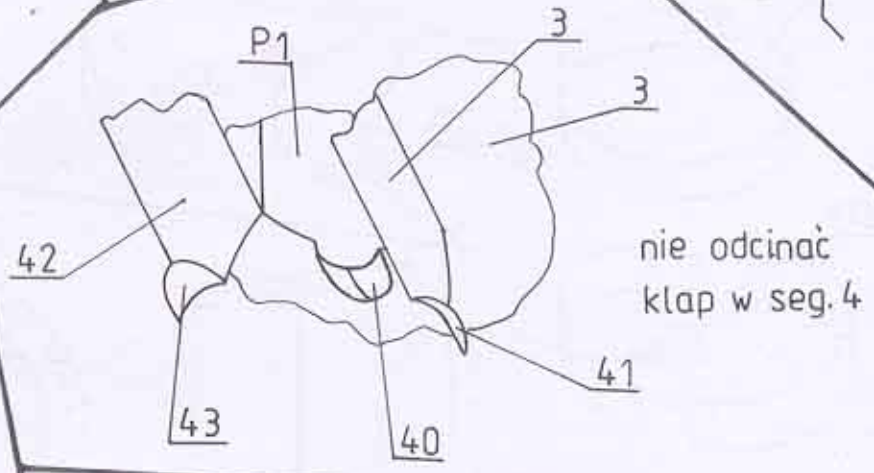
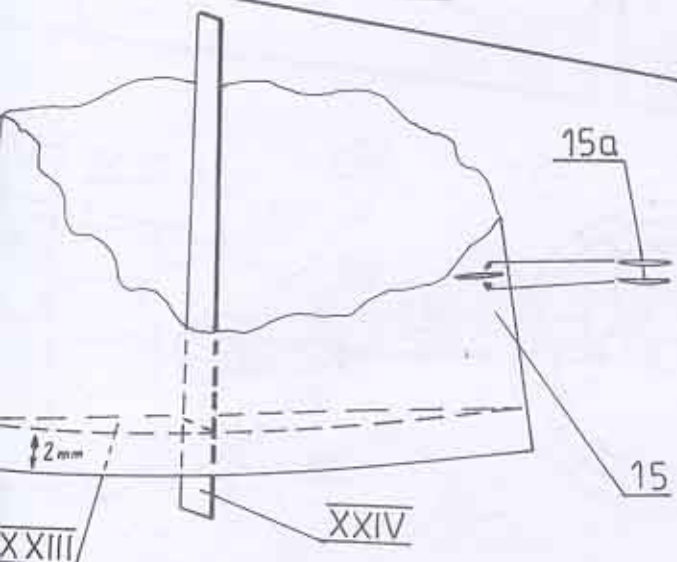
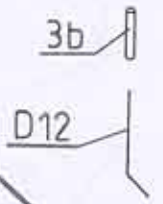


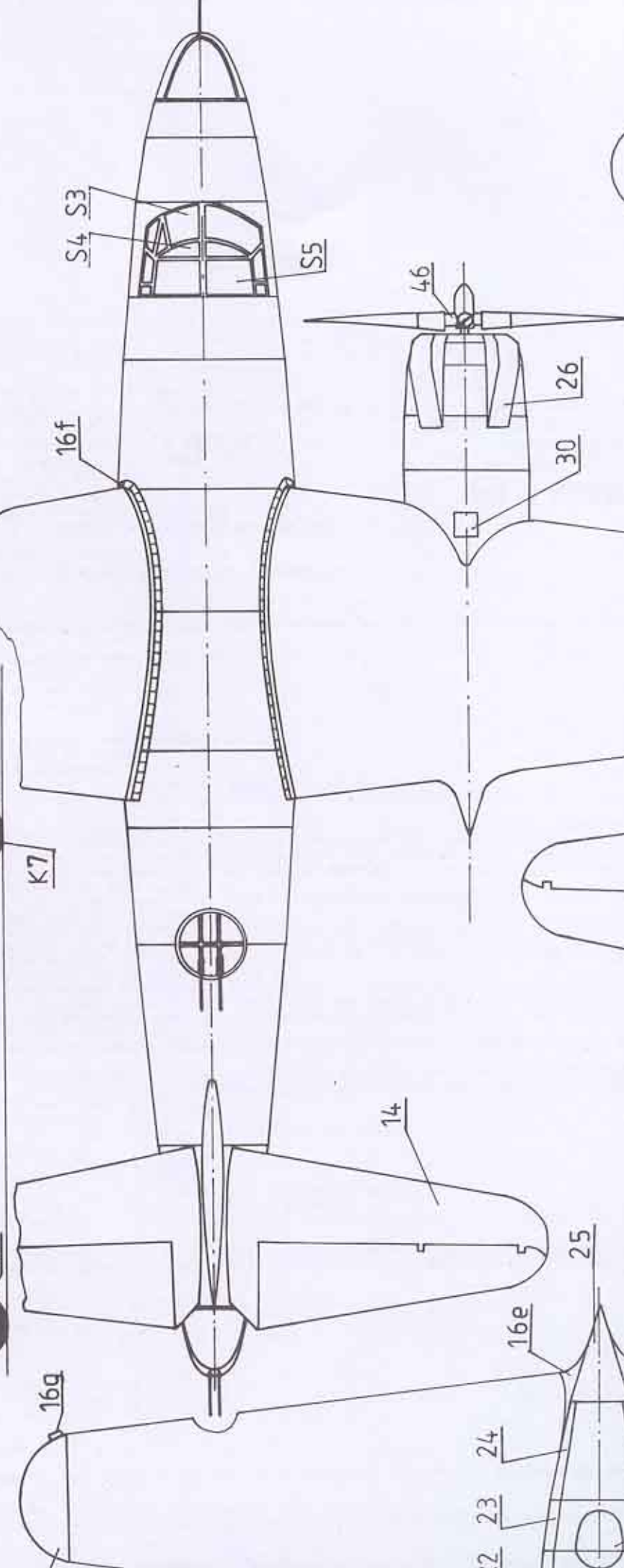
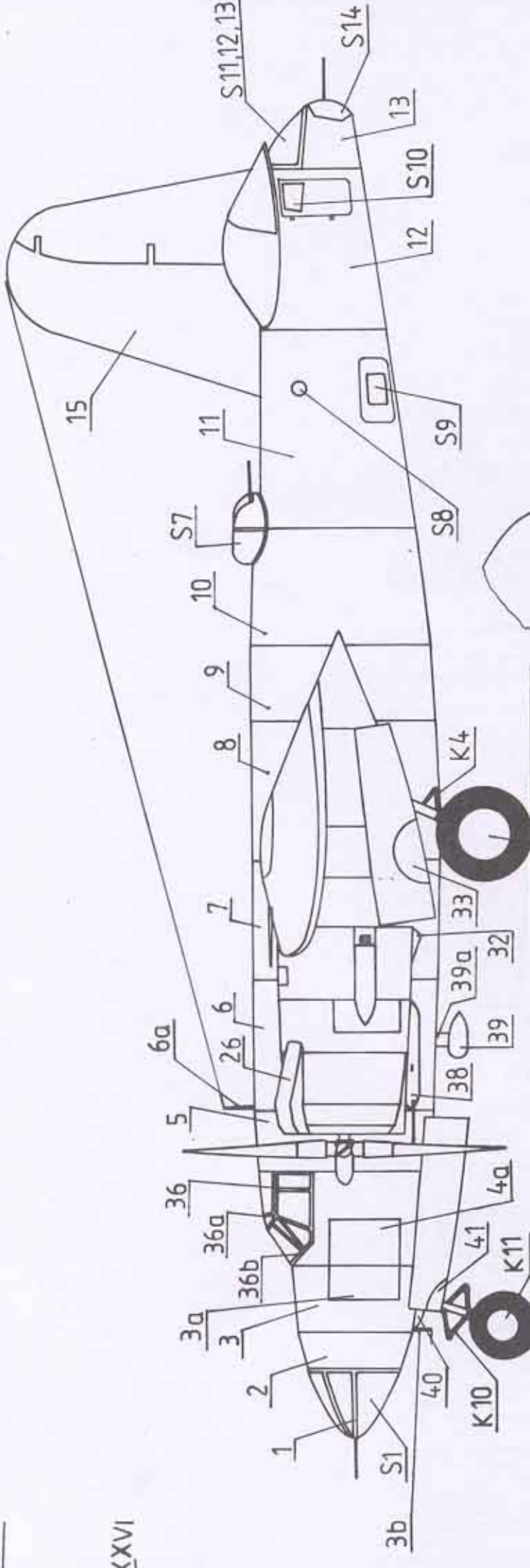
34 34Lz,w,Pw,z

L-lewa
w-od kadłuba
z-druga str.

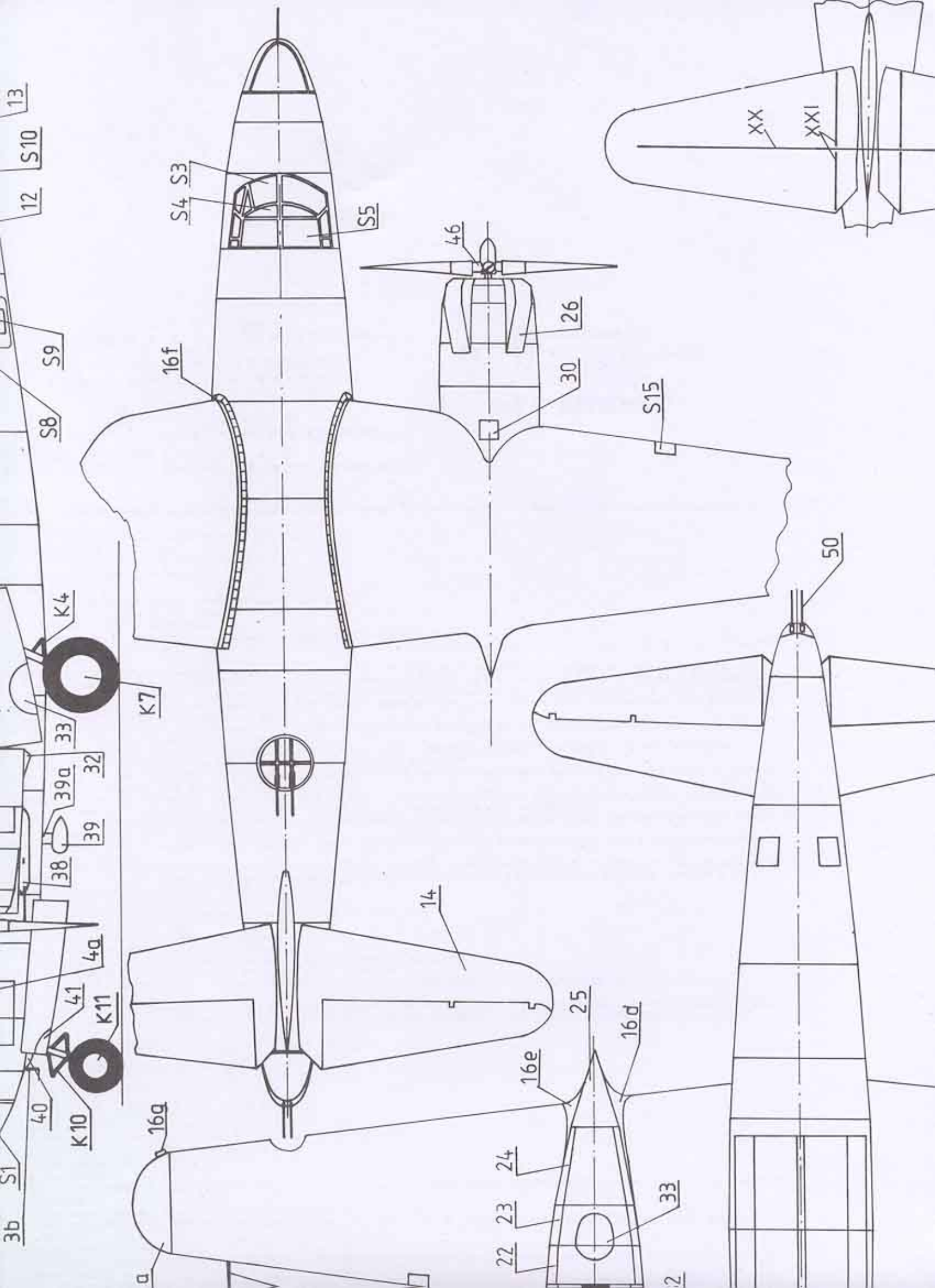


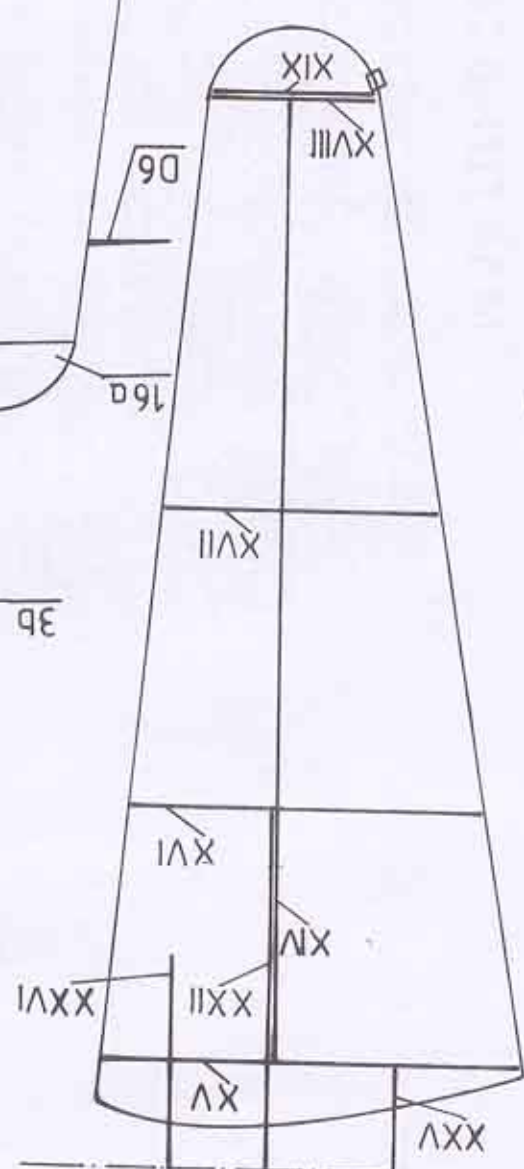
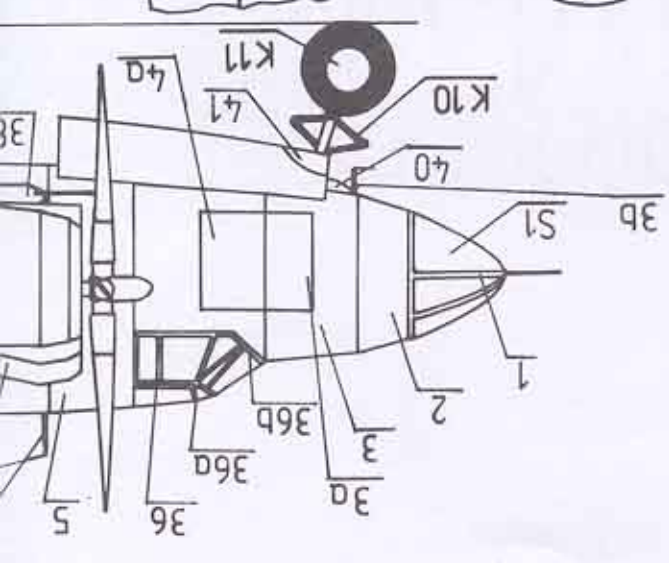
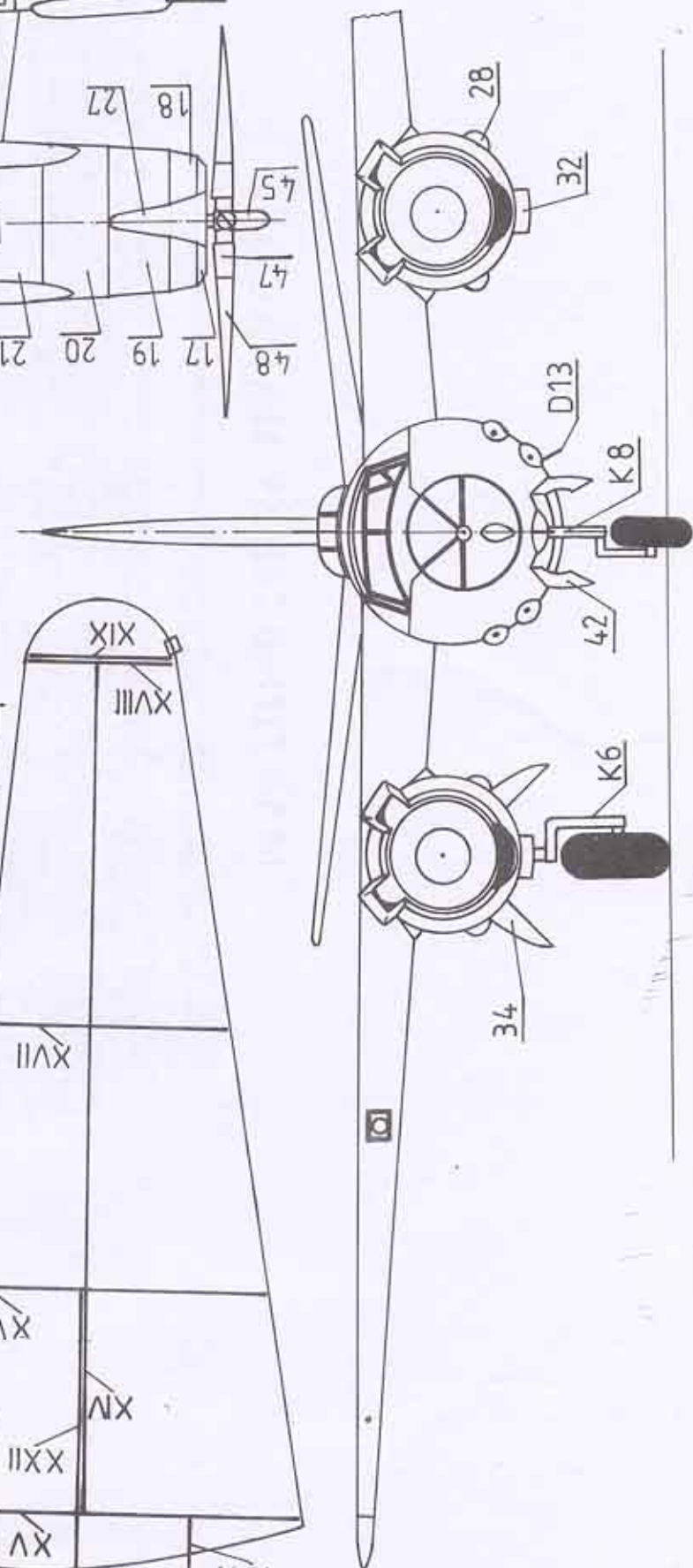
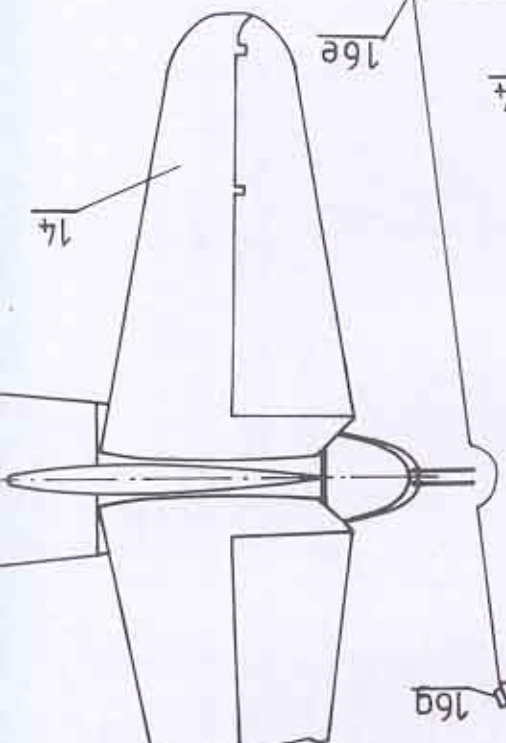
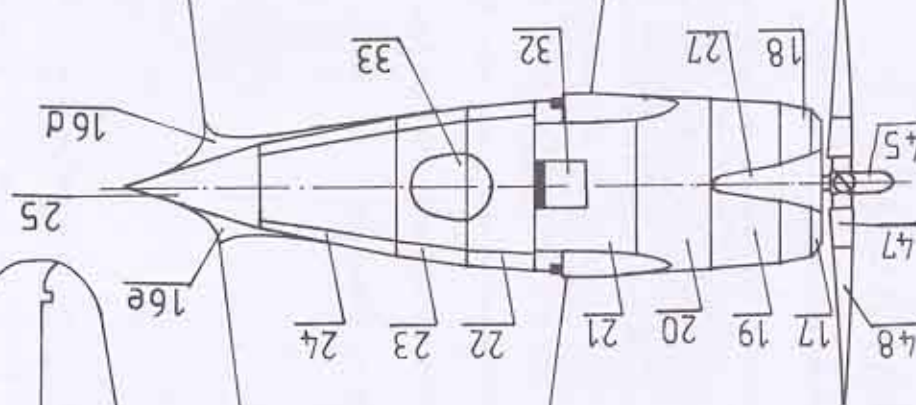
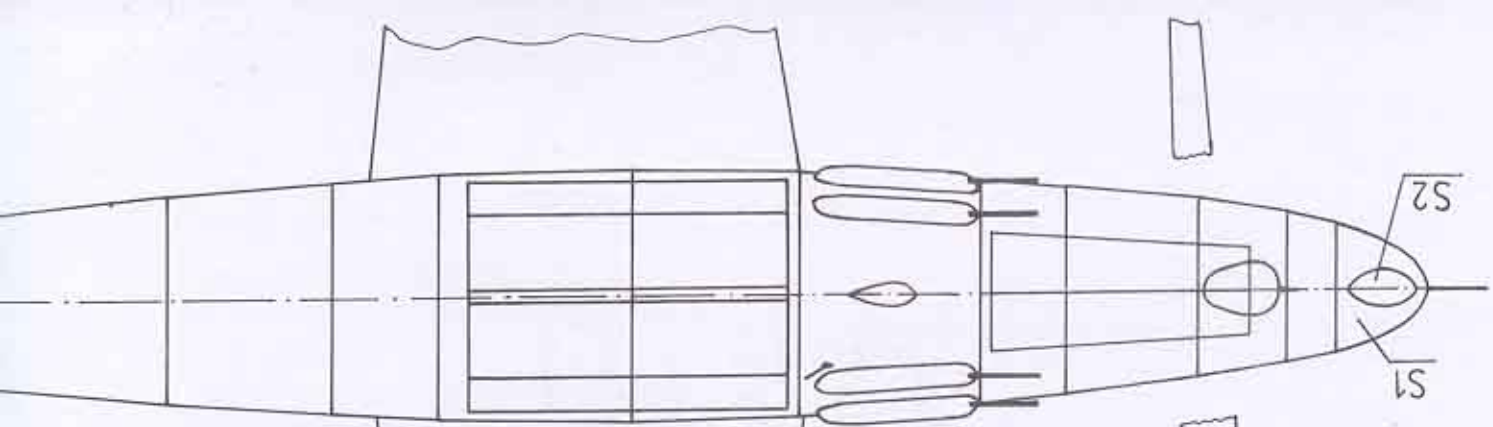
nie odcinać
w seg. 23 klap
33

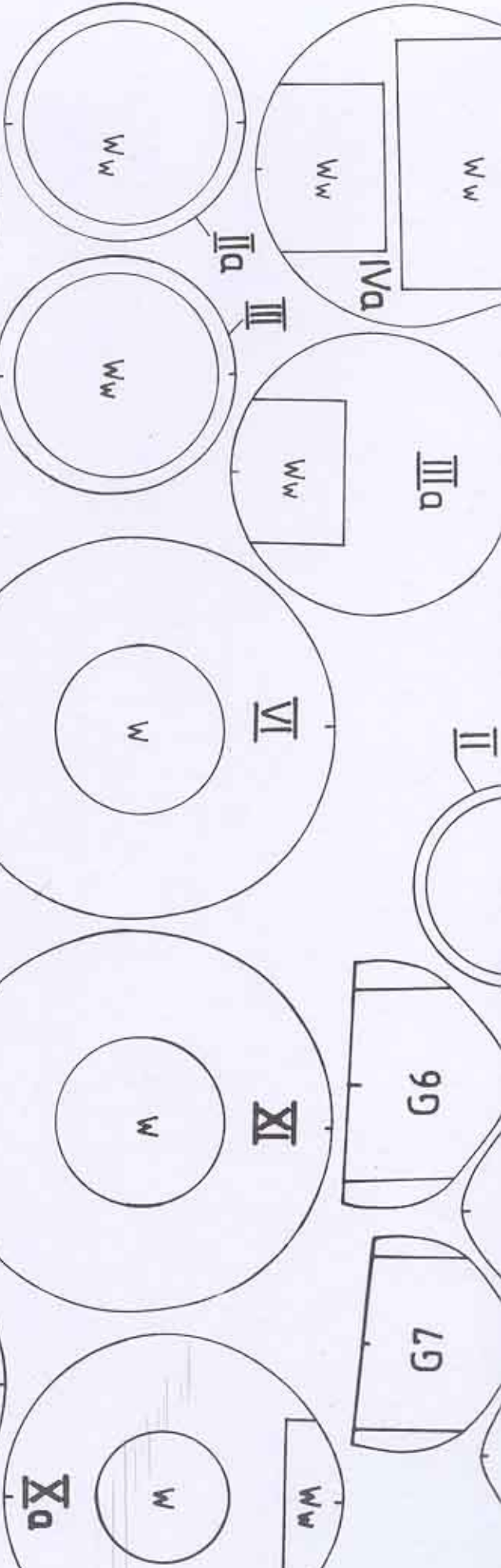
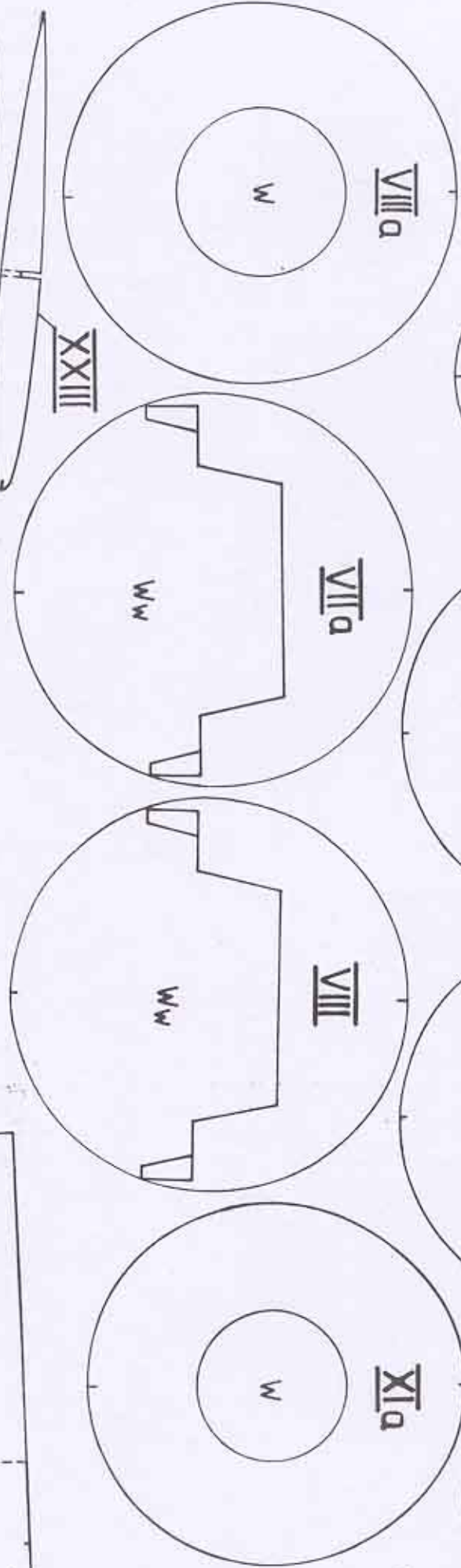
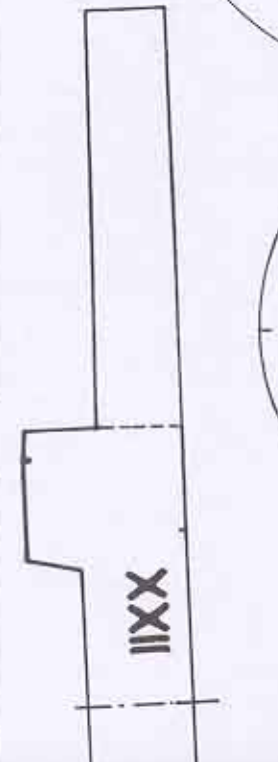
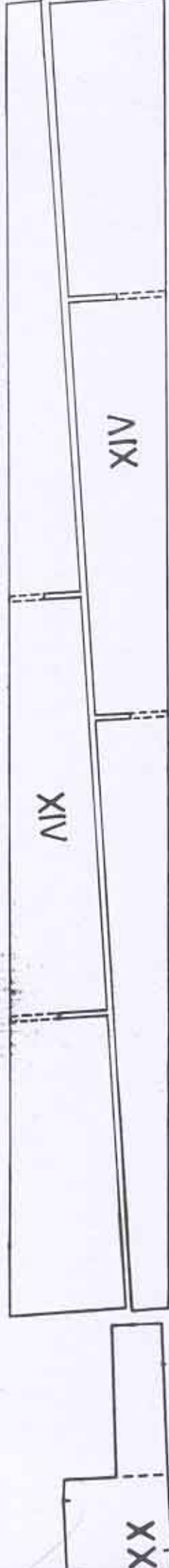




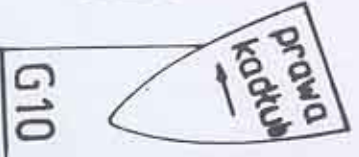
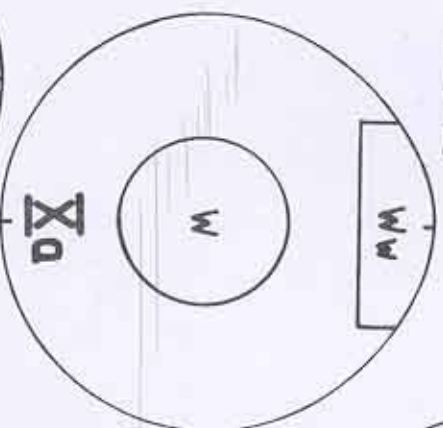
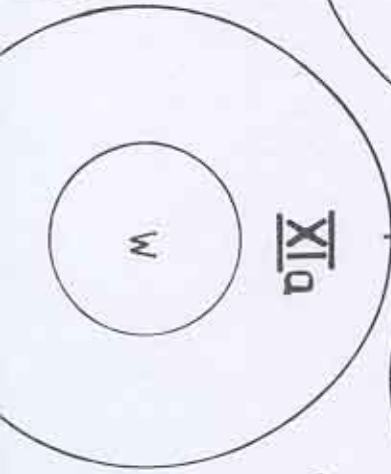
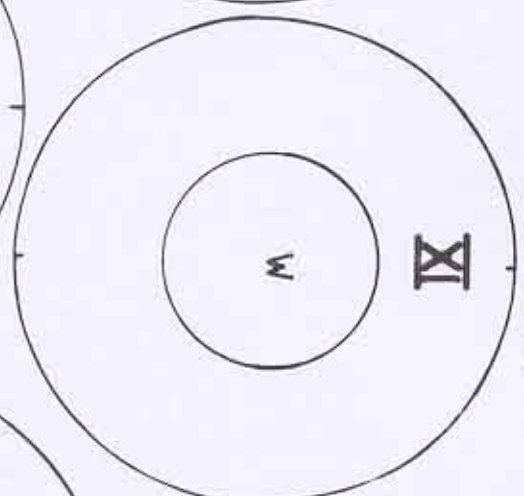
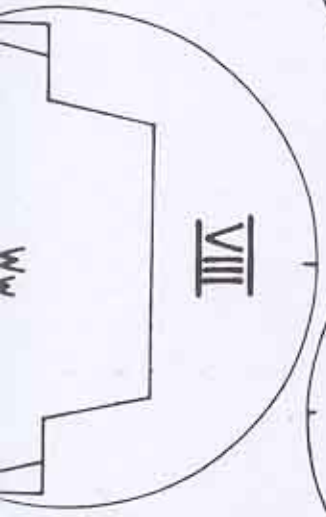
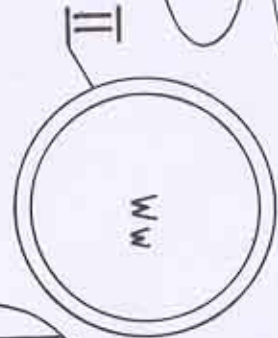
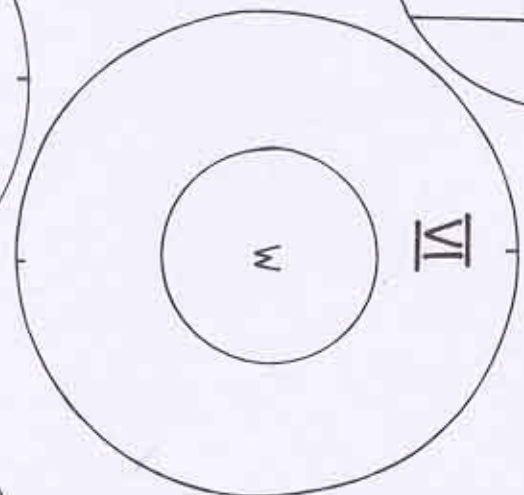
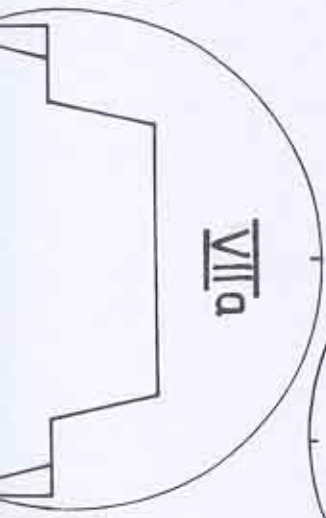
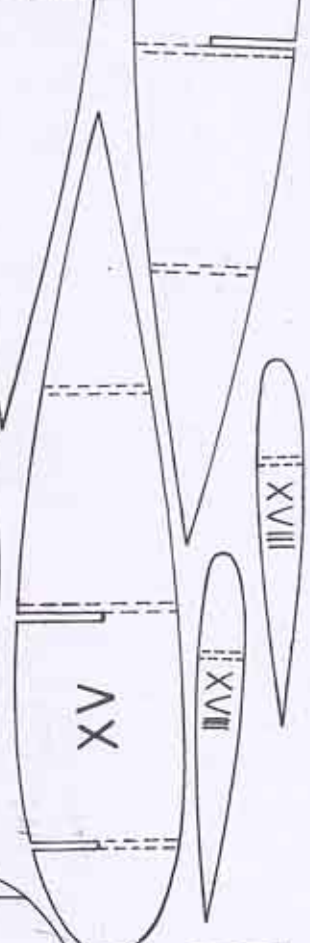
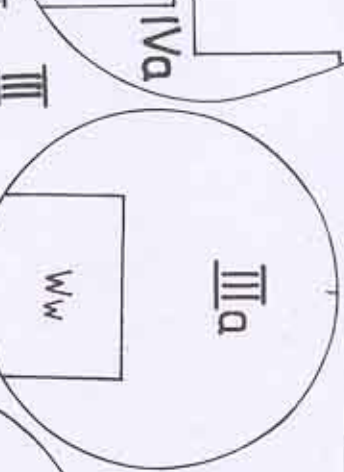
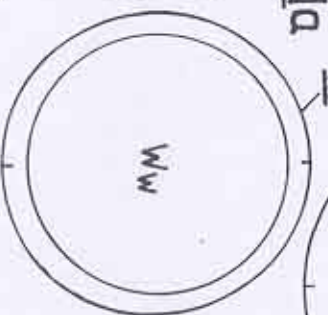
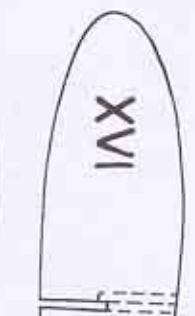
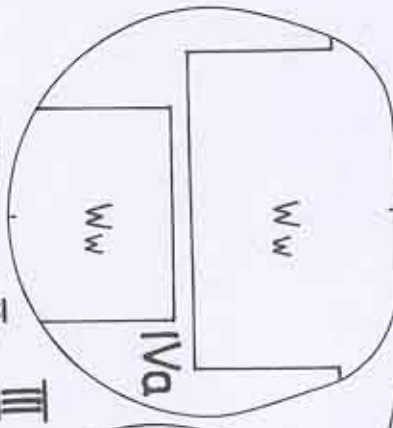
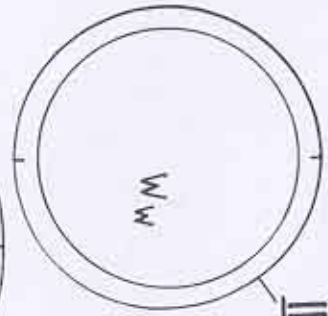
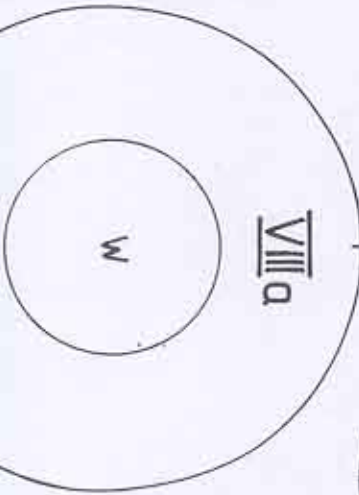
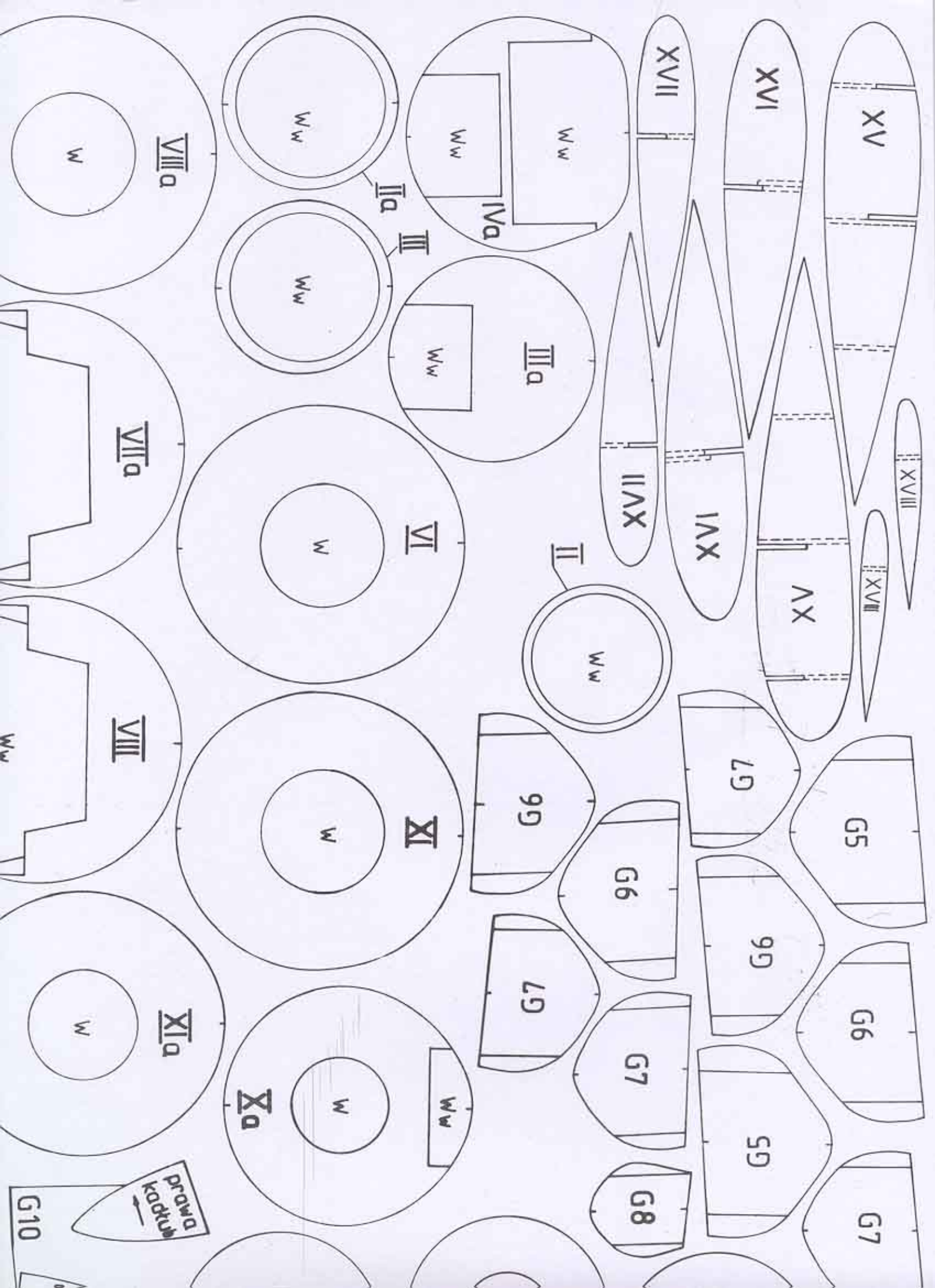
XXVI

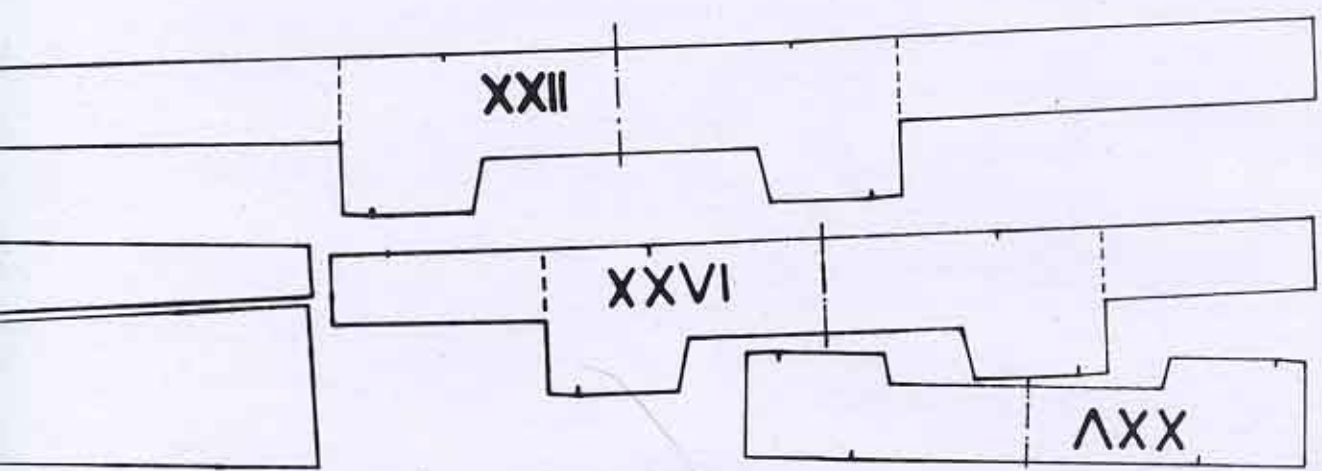
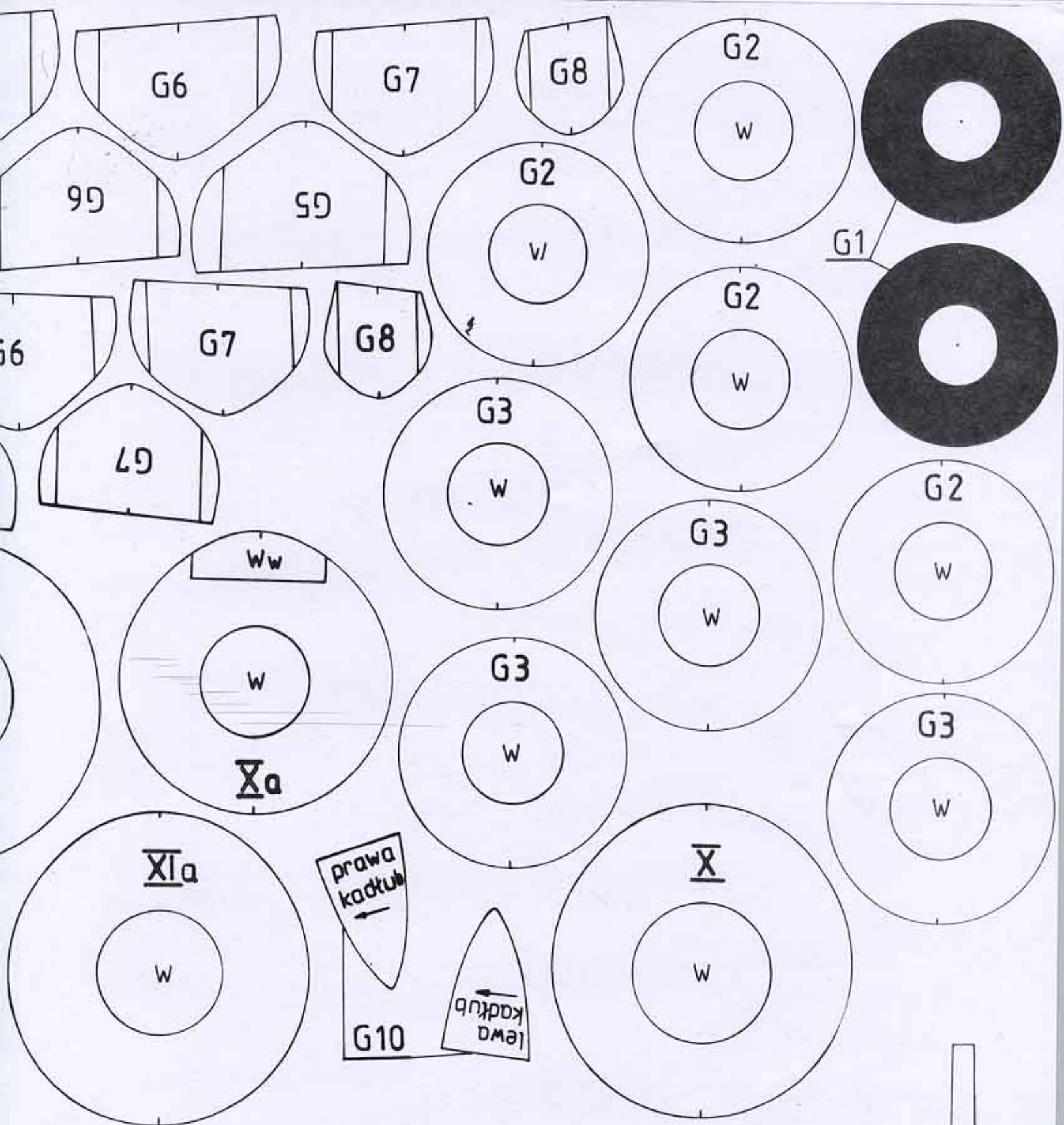


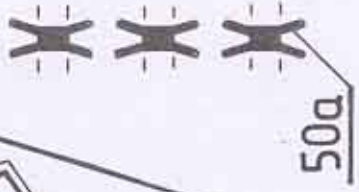
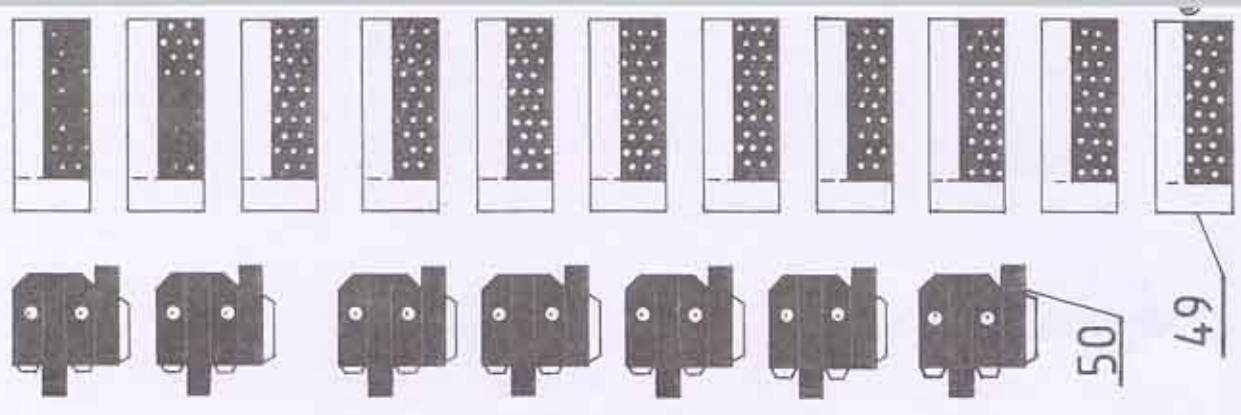




Прова
кратк

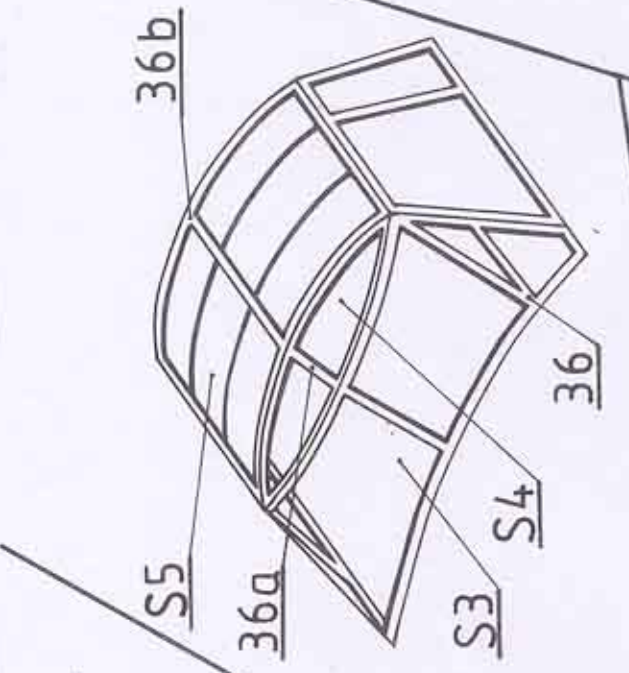




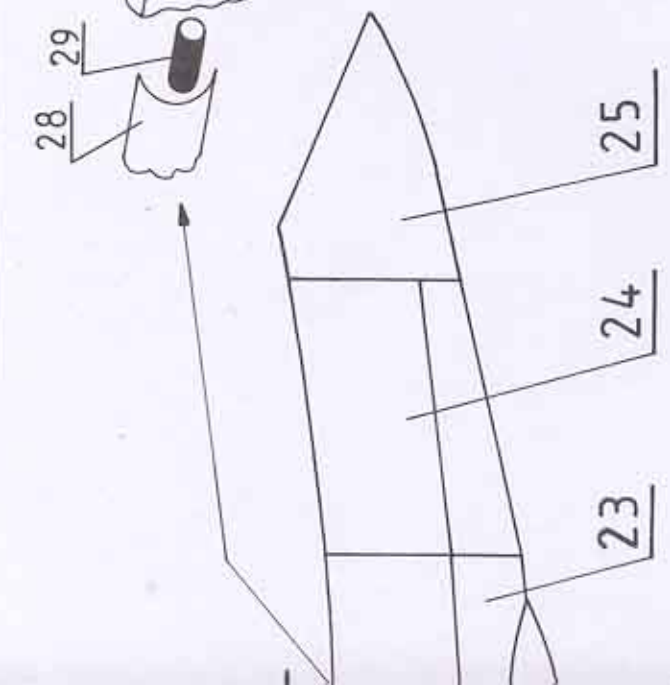
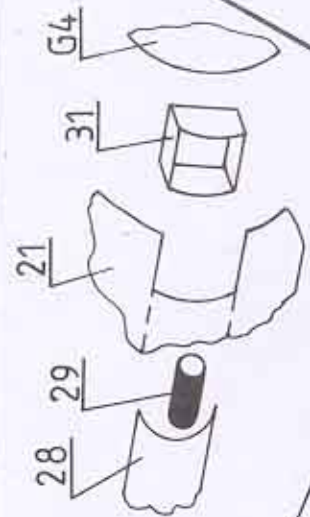
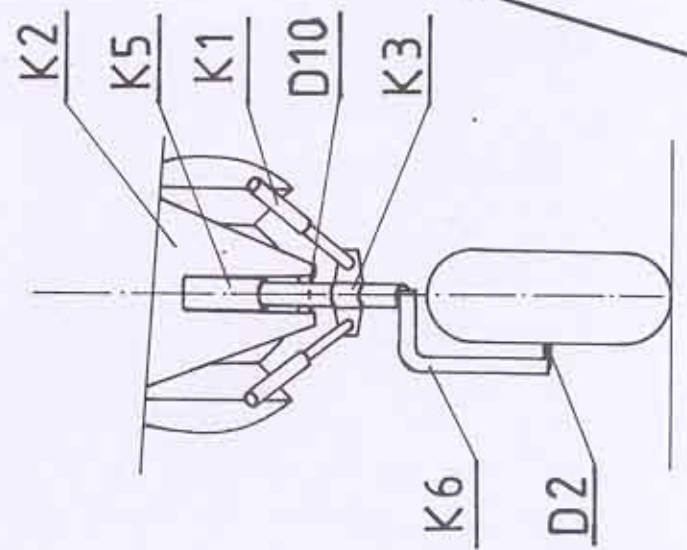


D5x2

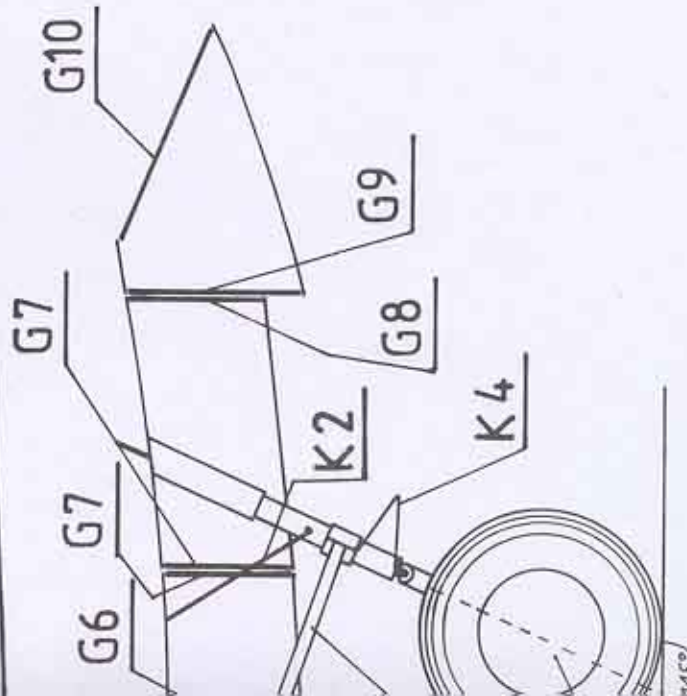
D8



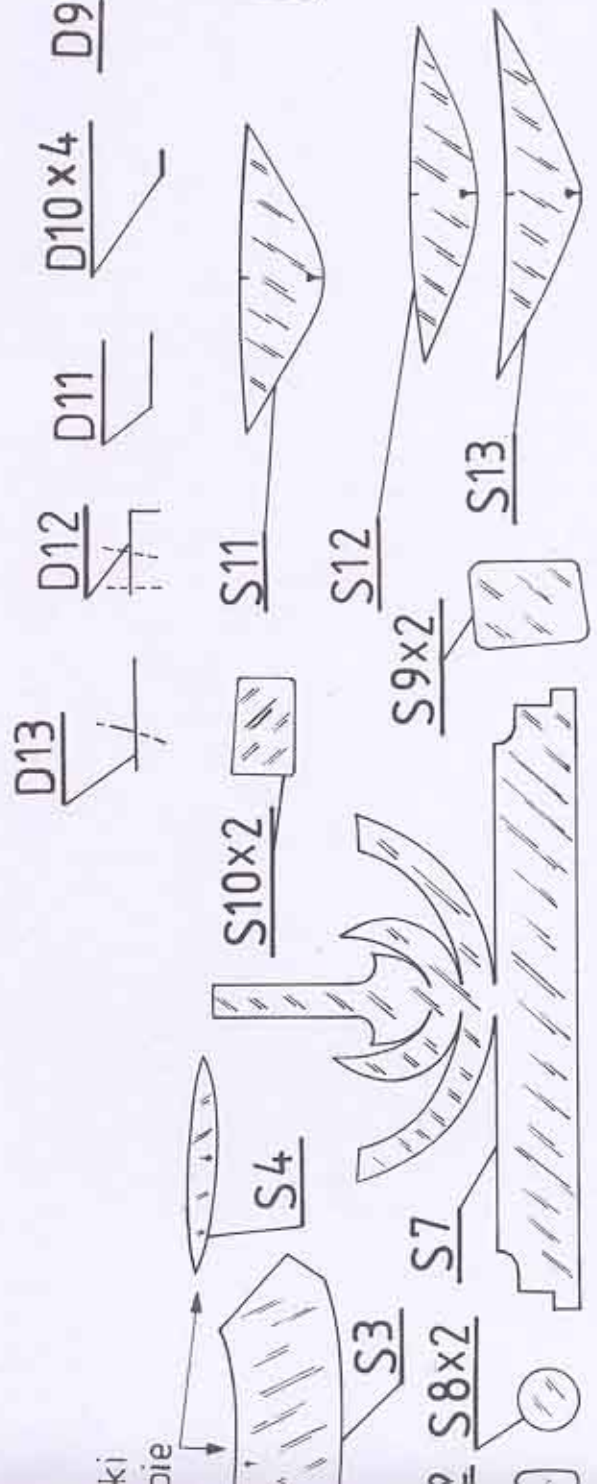
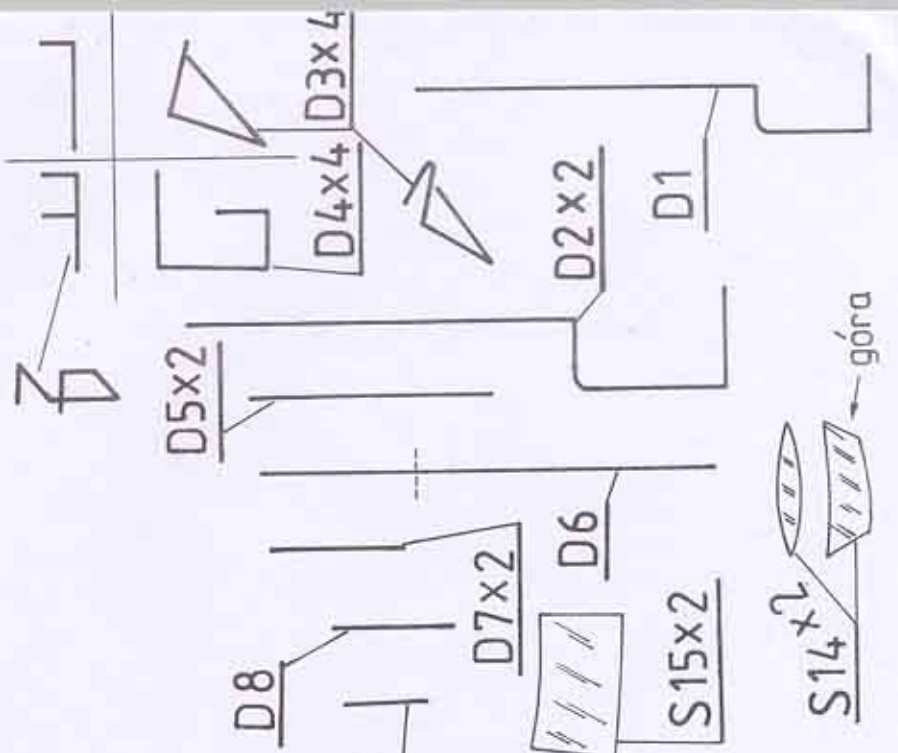
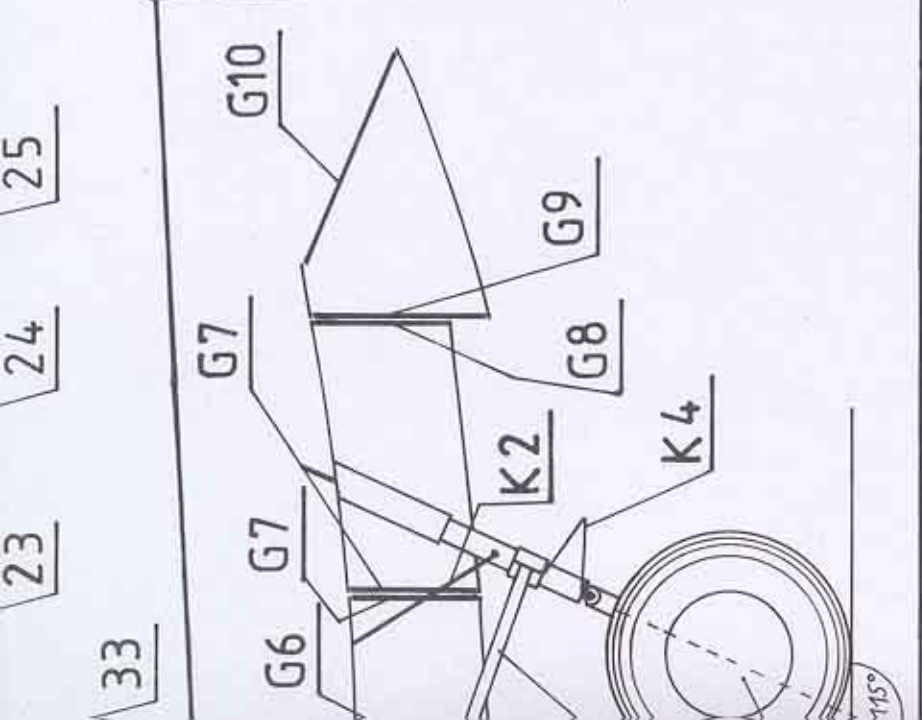
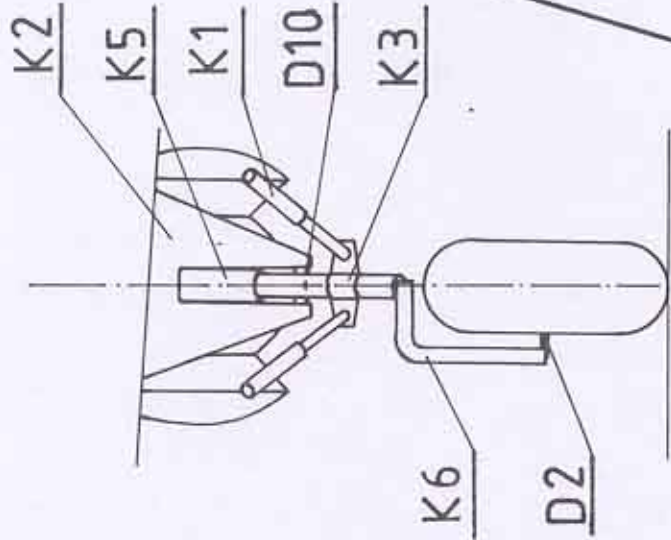
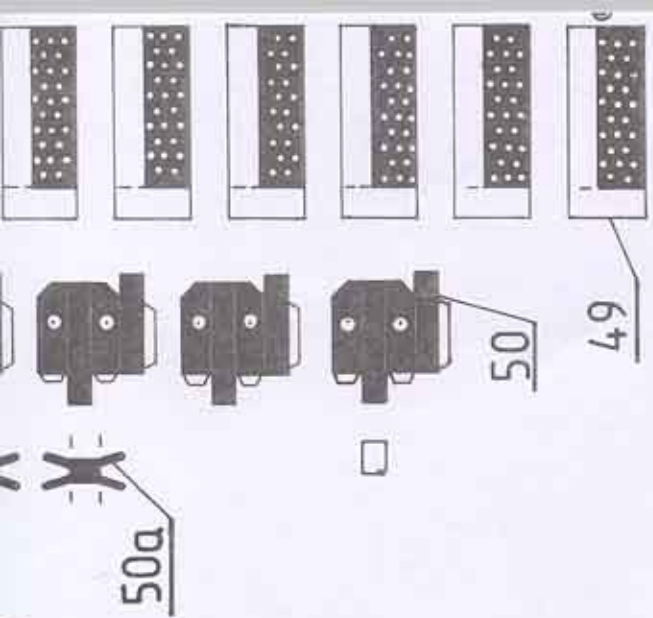
50a

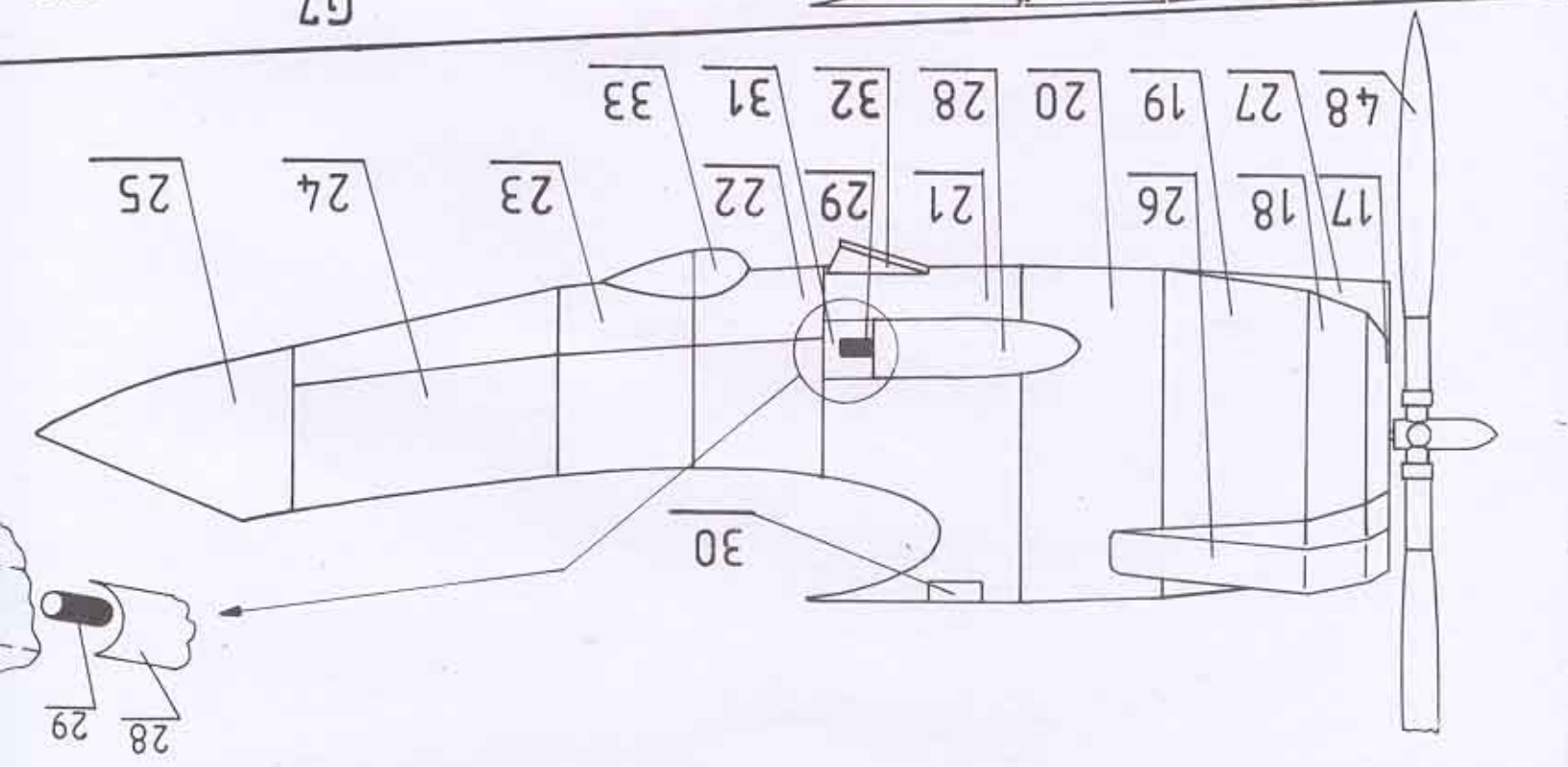
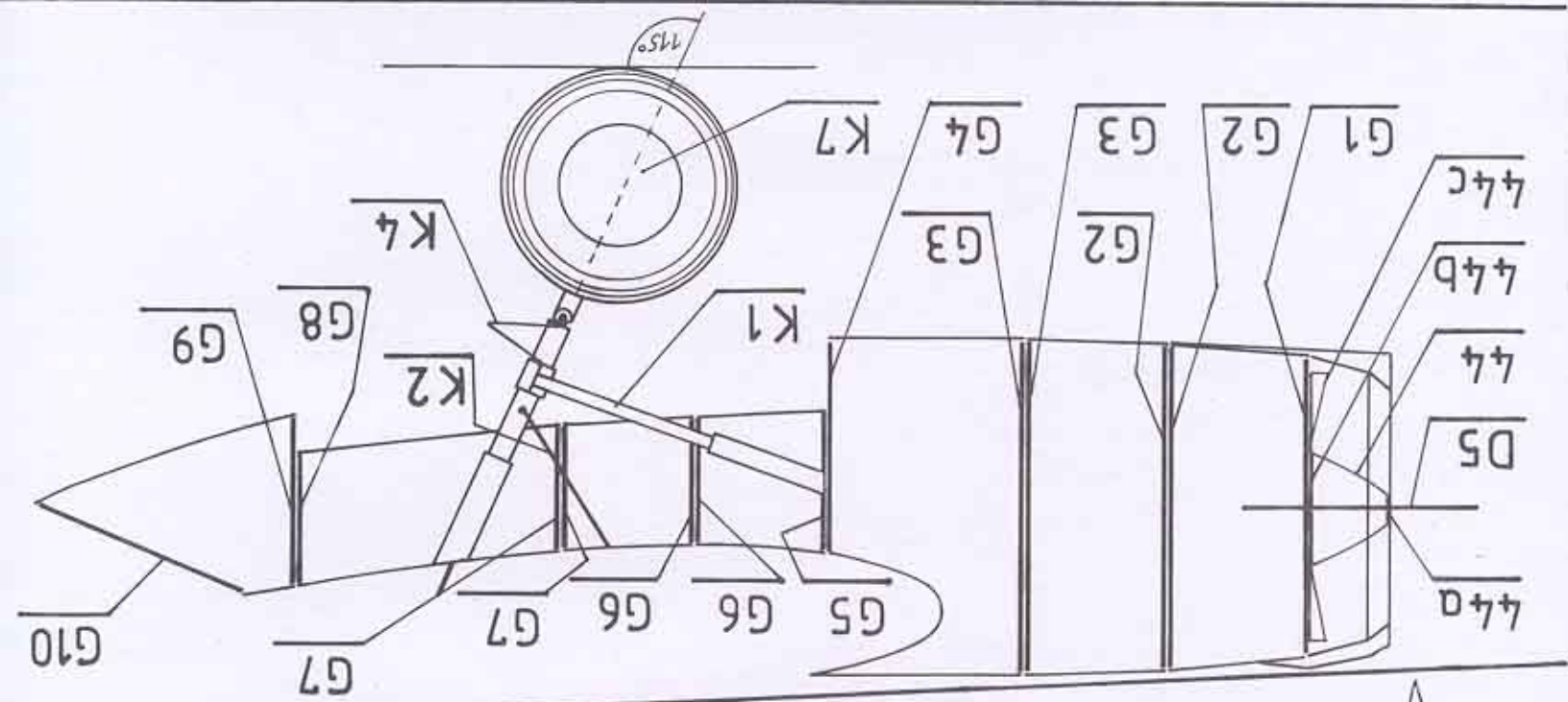
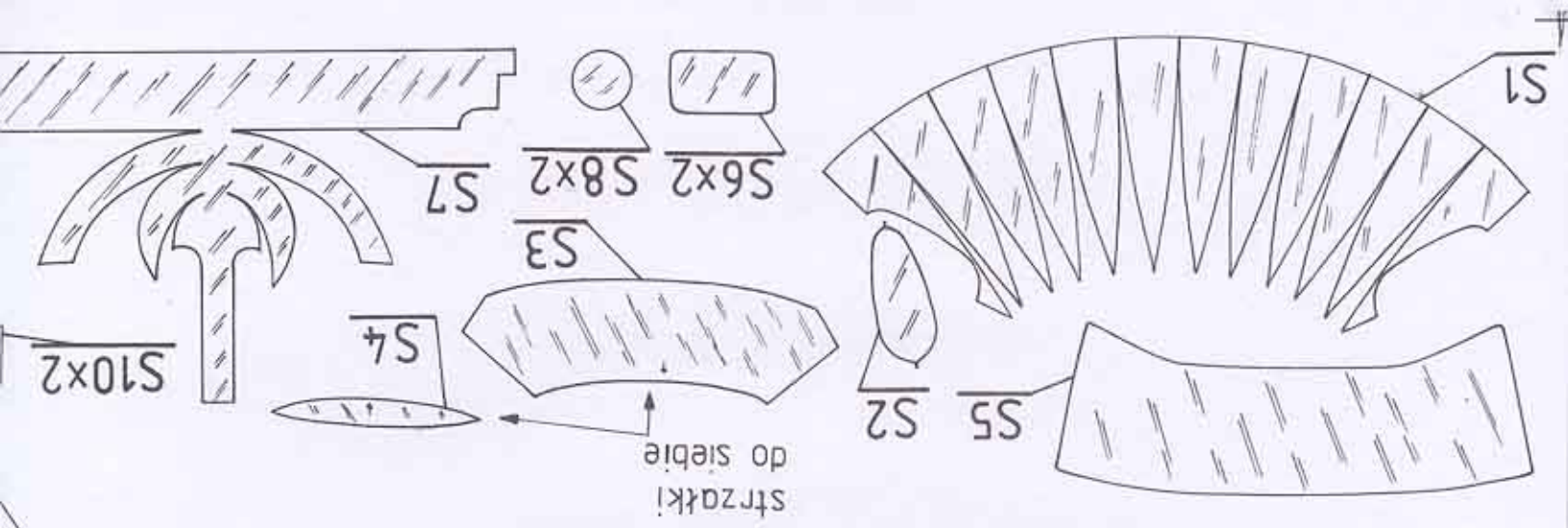


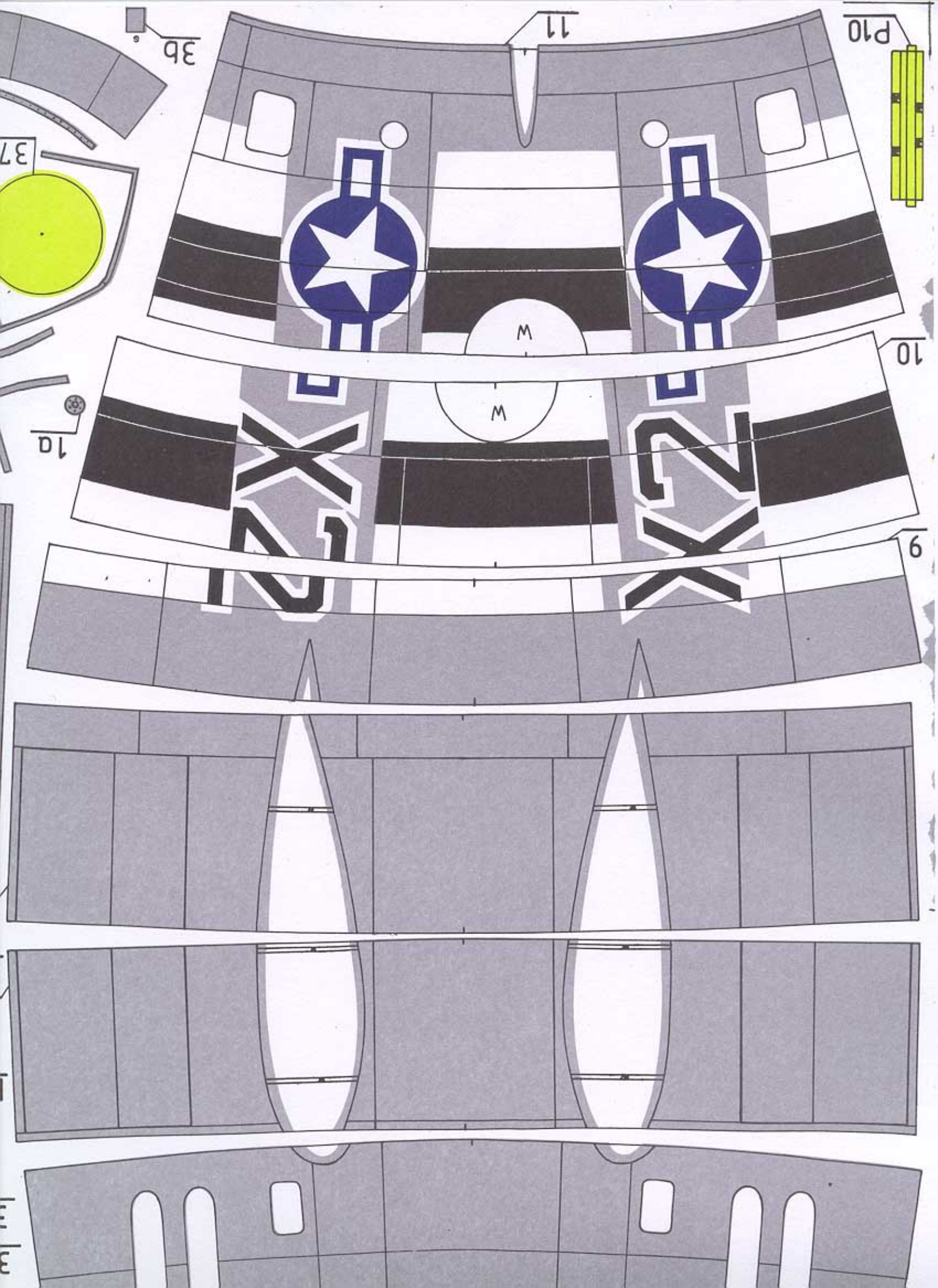
33



115°







P10

11

3b

10

9

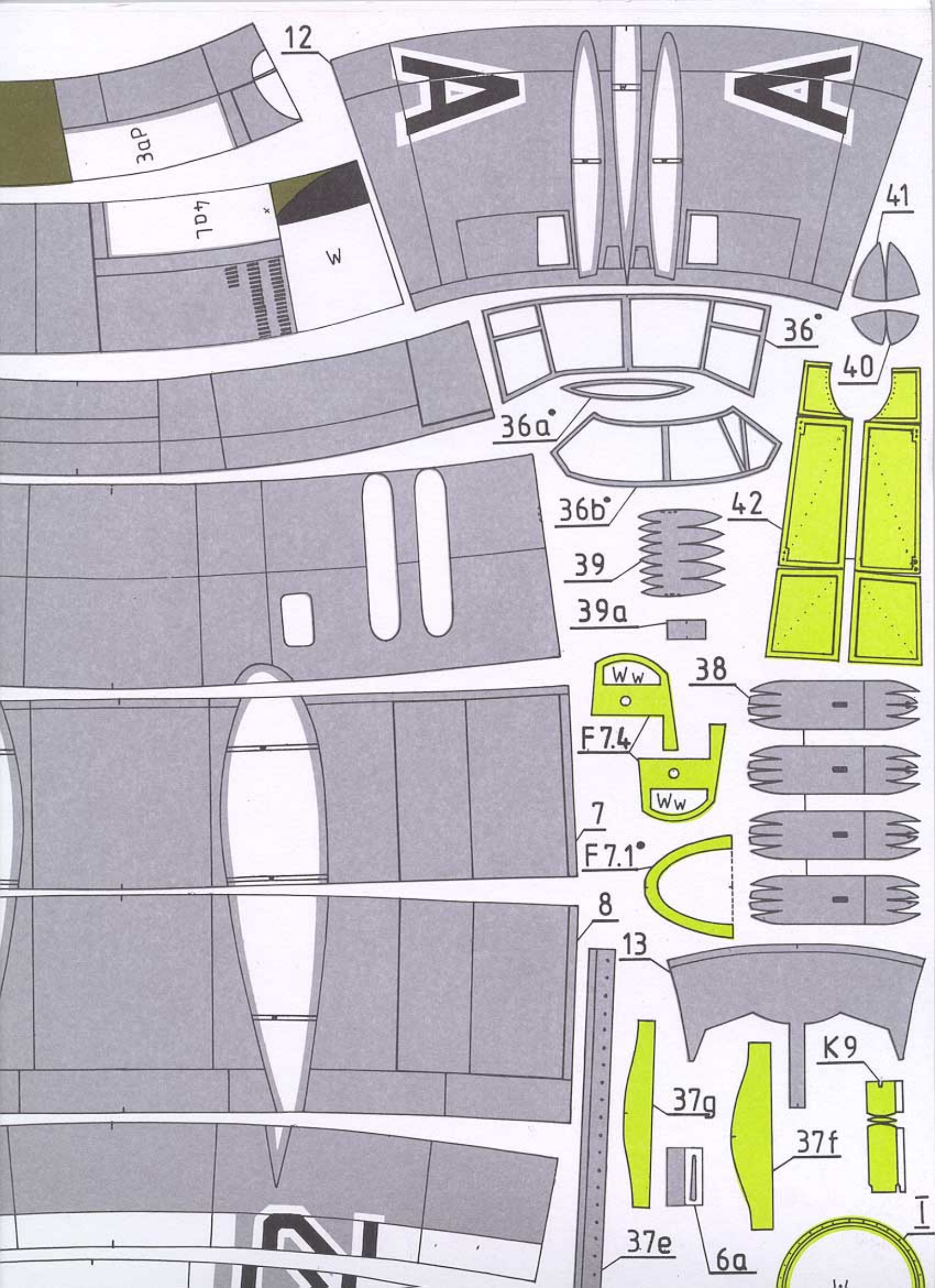
M

M

1a

37

13



12

30P

704

W

A

A

41

36°

36a°

40

36b°

42

39

39a

38

F7.4

7

F7.1°

8

13

37g

K9

37f

37e

6a

I

W

3 15a

12

4

3aL

3aP

4aP

4aL

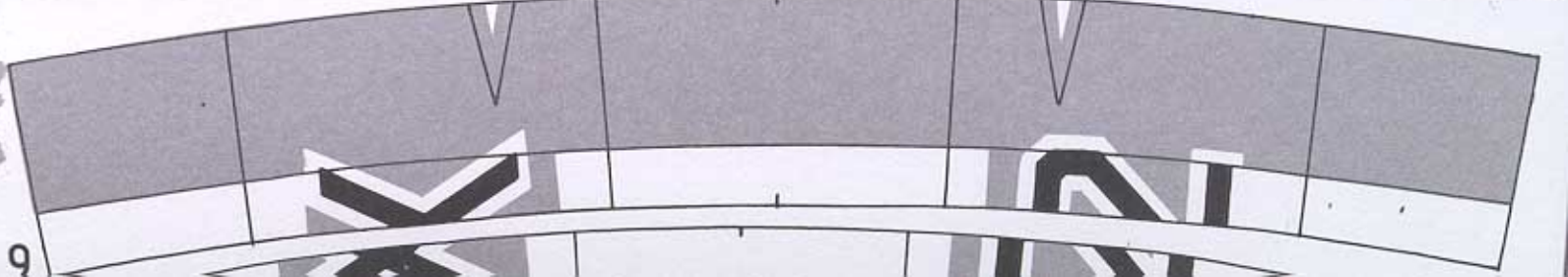
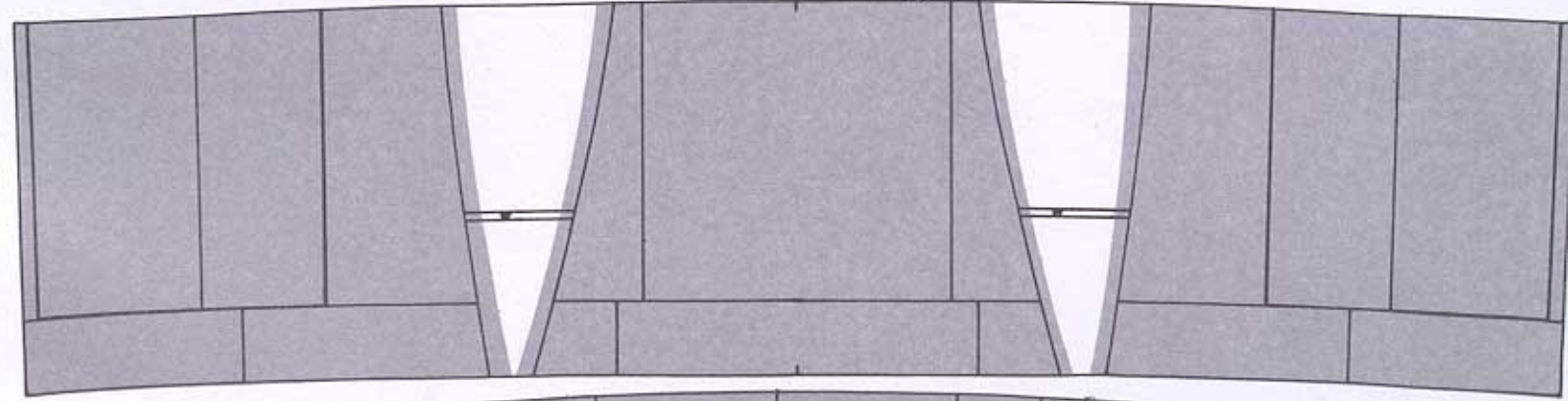
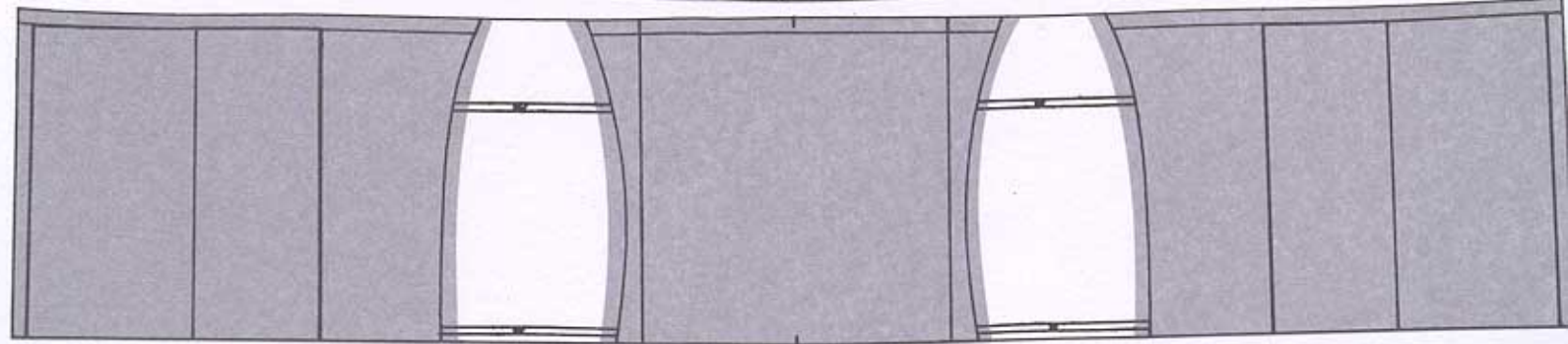
W

W

5

6

36a°

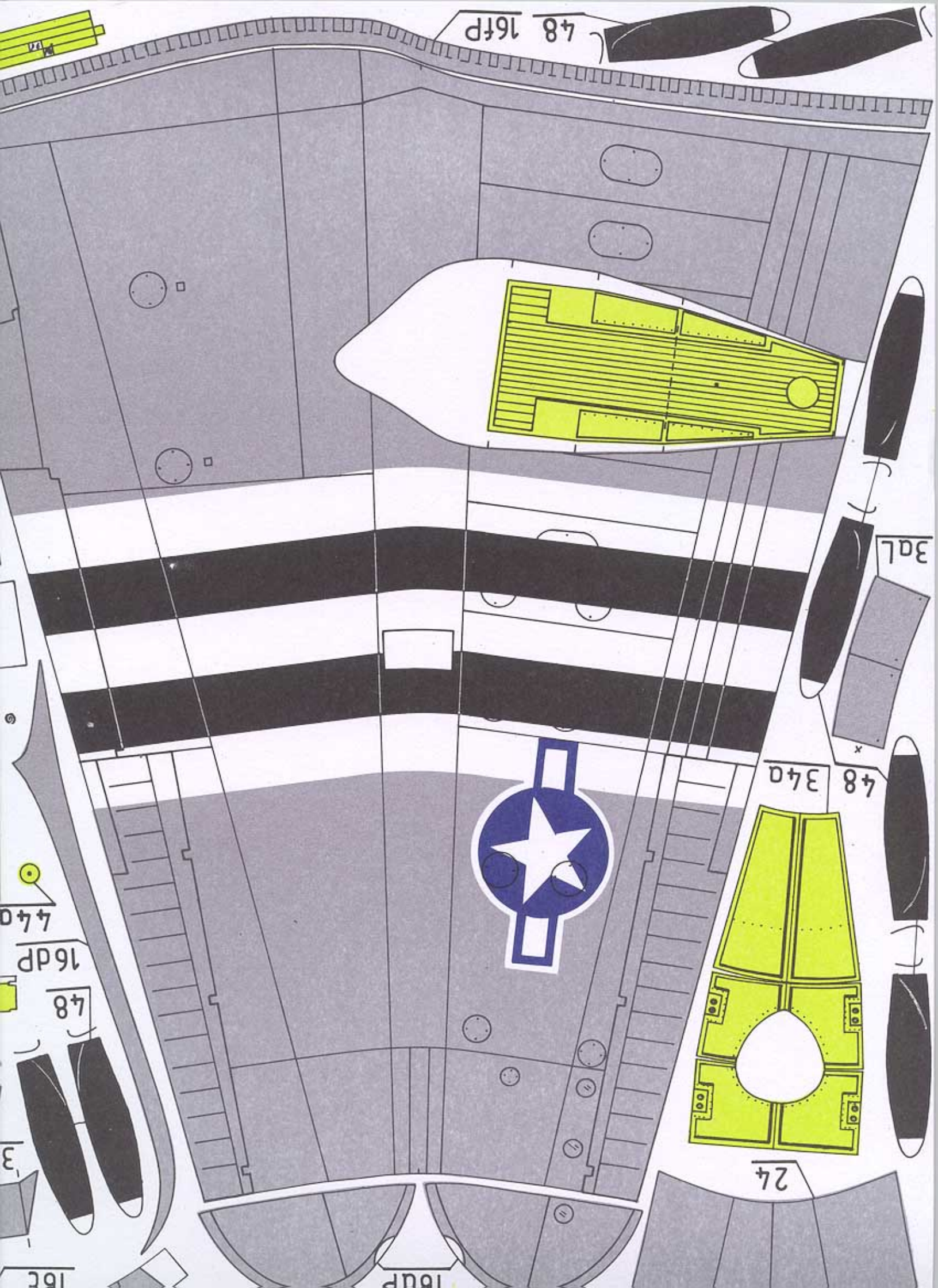


9

A



3



48 16FP

340

48 340

24

47

16DP

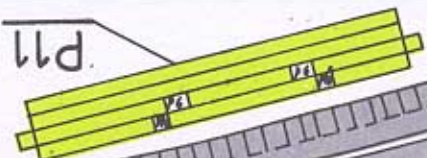
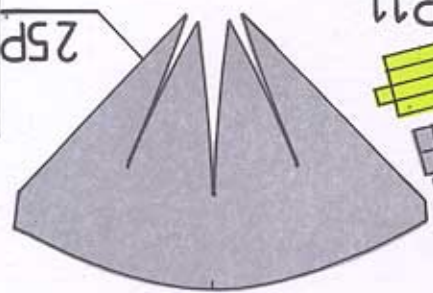
48

16C

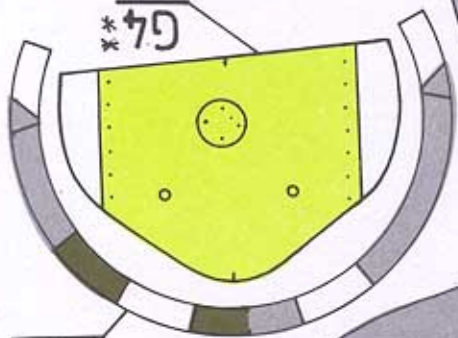
16DP

P11

25P



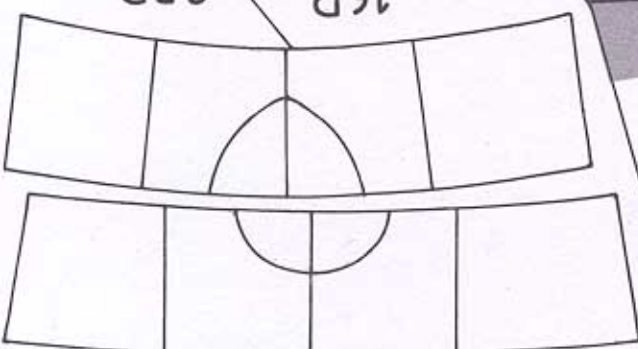
G4*



17P

23P

16P



22P

44b*

44

K5

44d*

16g

16dP

K6

48

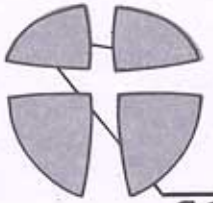
16eP

K7

33

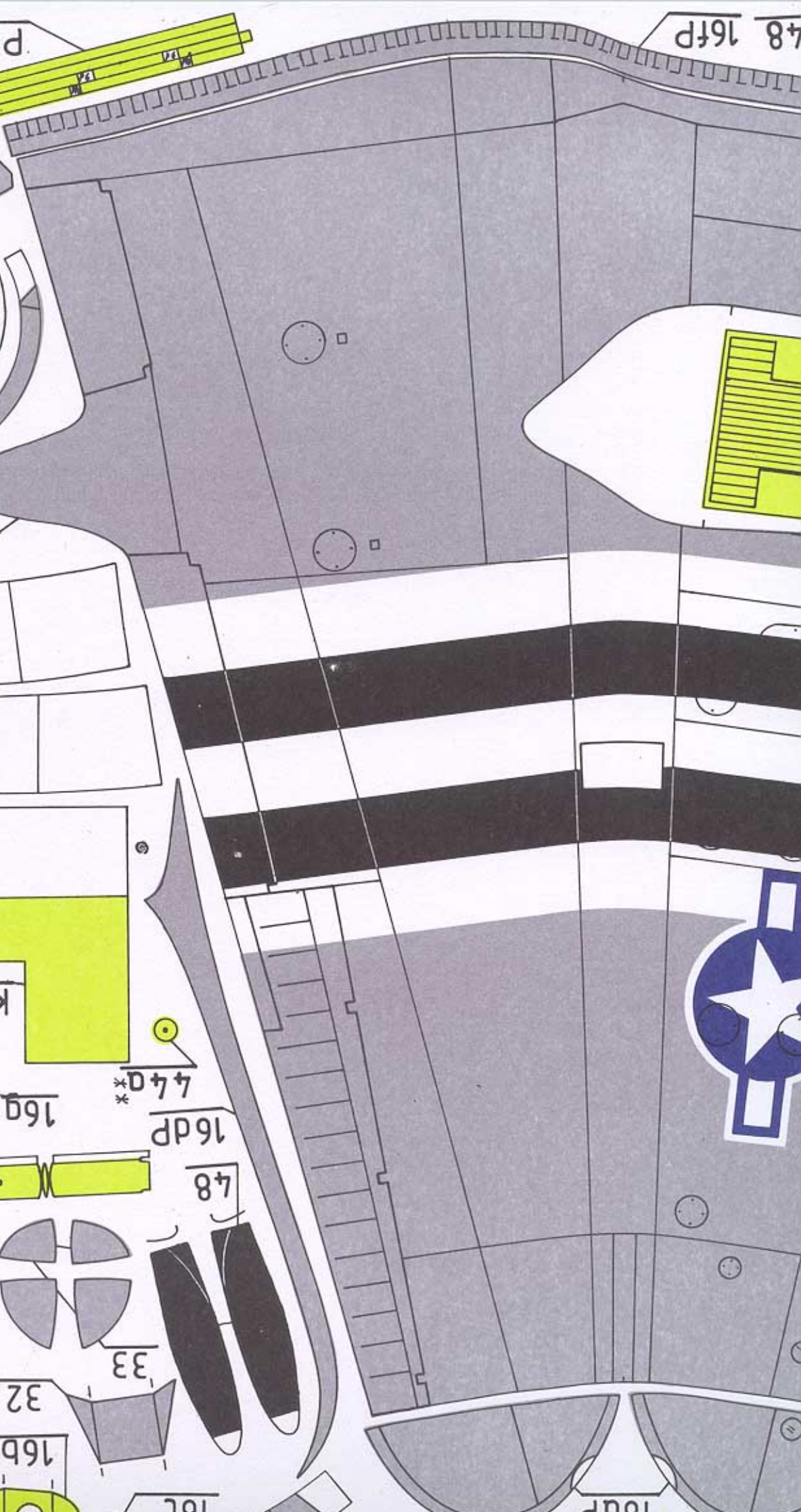
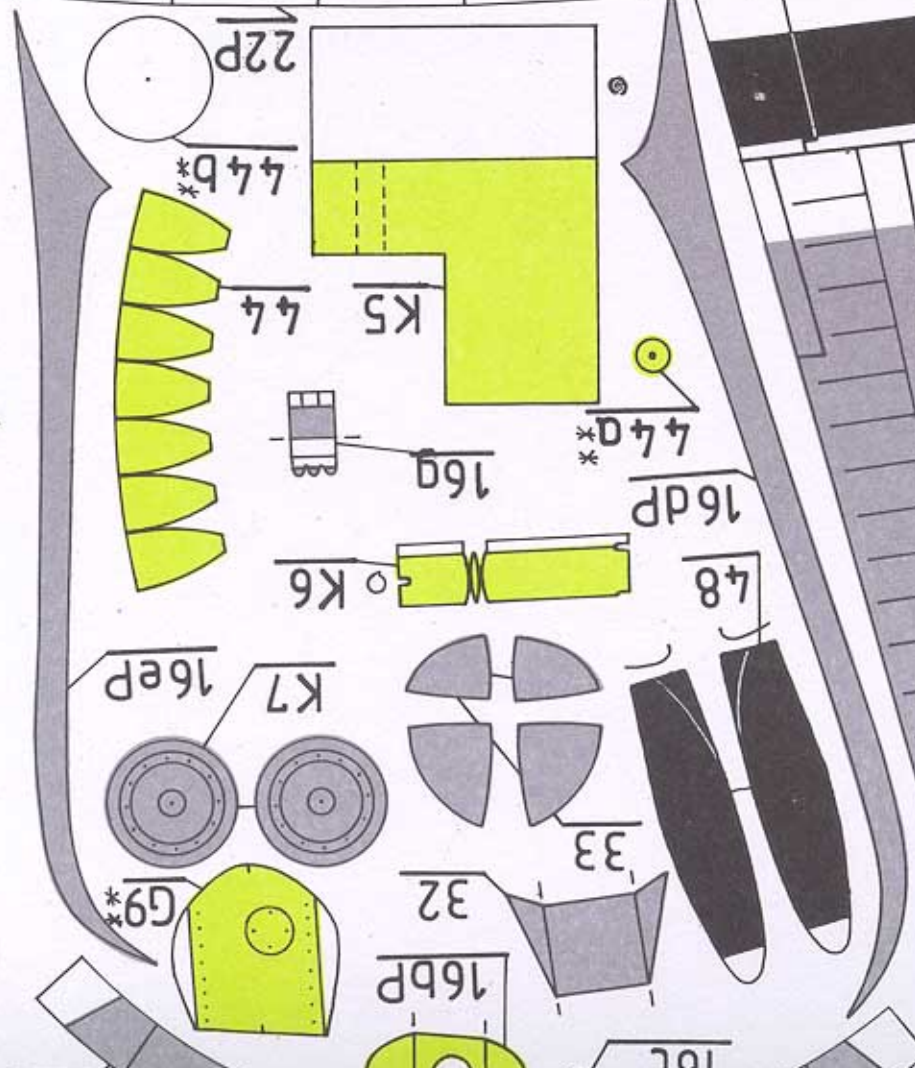
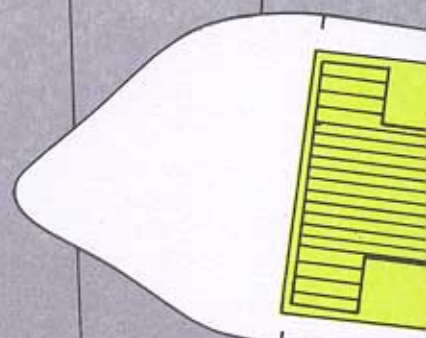
32

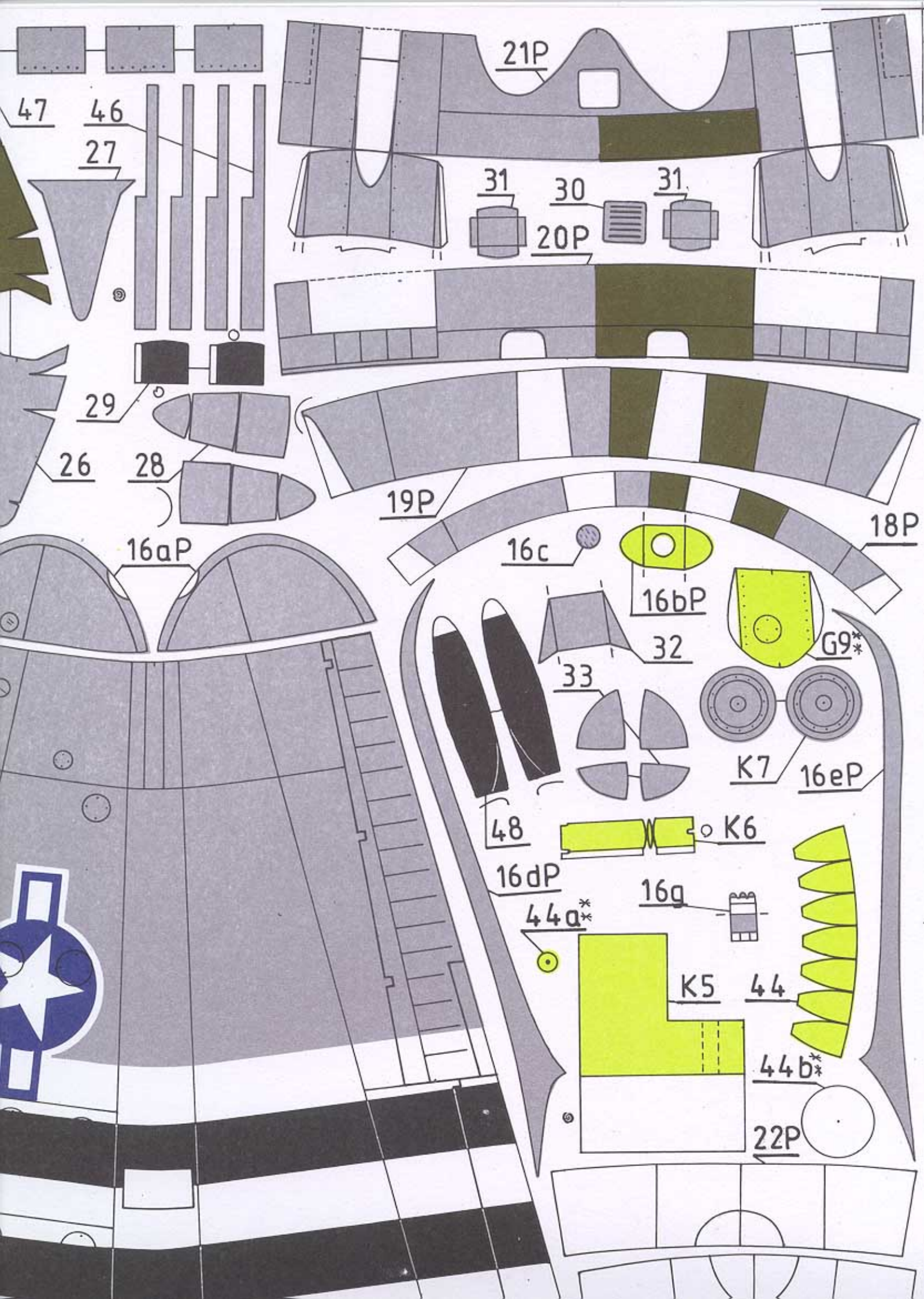
16bP

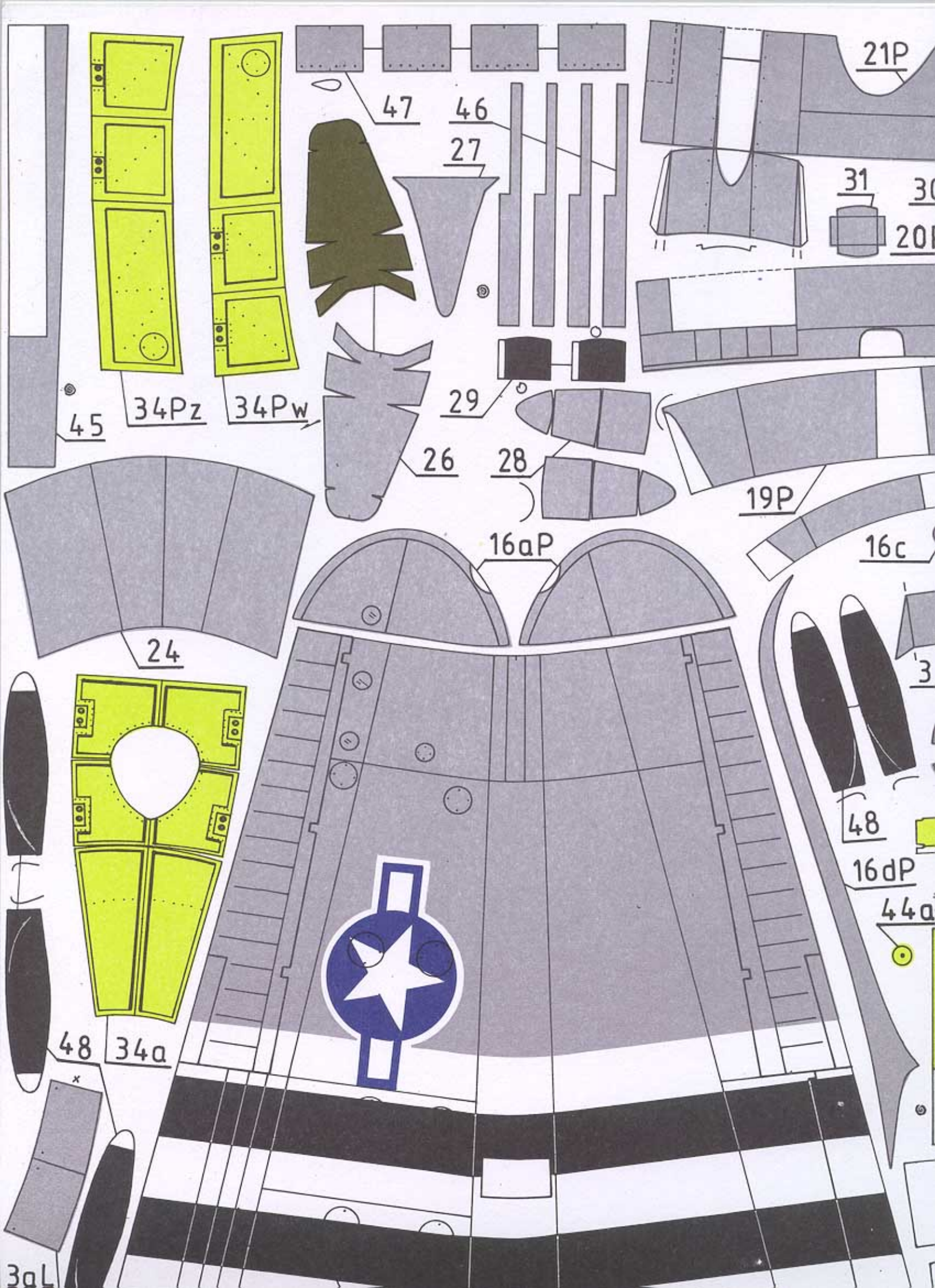


16c

16aP







21P

47

46

27

31

30

20

34Pz

34Pw

45

29

26

28

19P

16c

16aP

24

48

16dP

44a

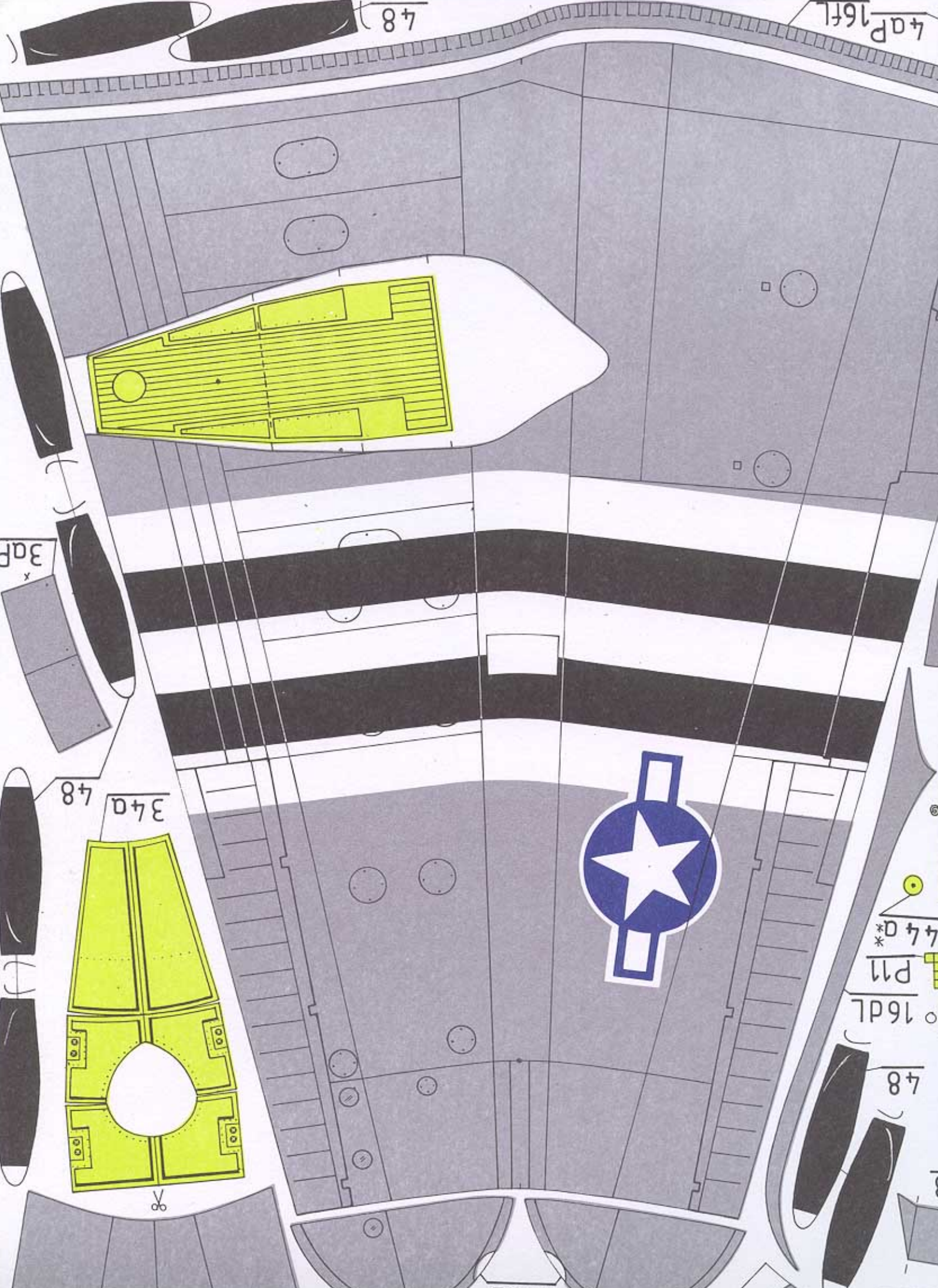
48

34a

3aL

4aP 16fL

48



47D*

P11

16DL

48

34a

48

34p

16DL

✂

4aP 16fL

25L

G4*

17L 16L

23L

22L

44b*

44 K5

16g

44a*

P11

16dL

K6

16eL

K7

48

33

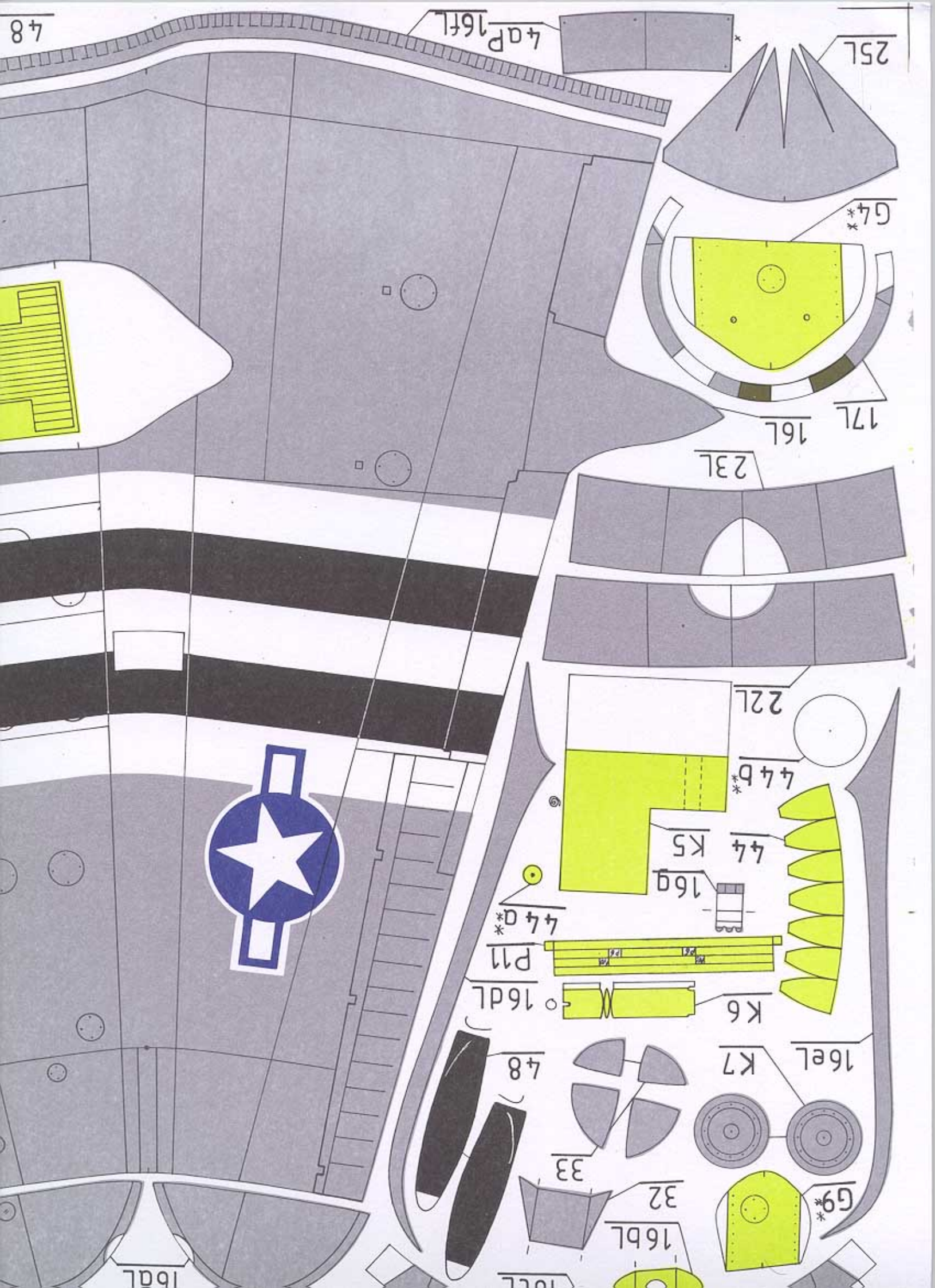
32

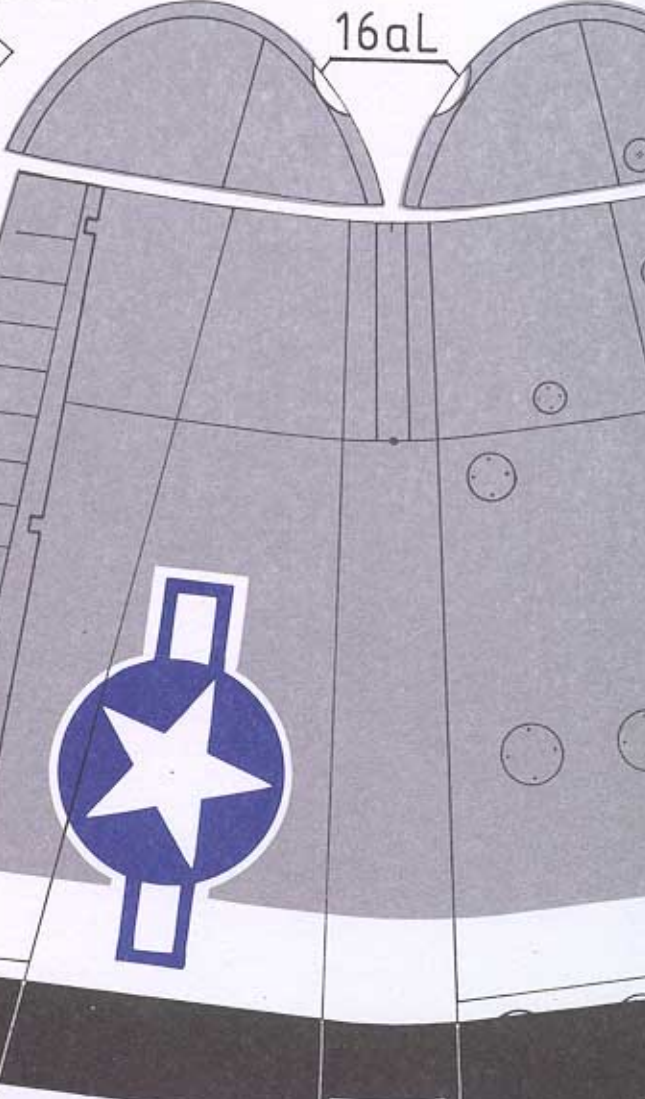
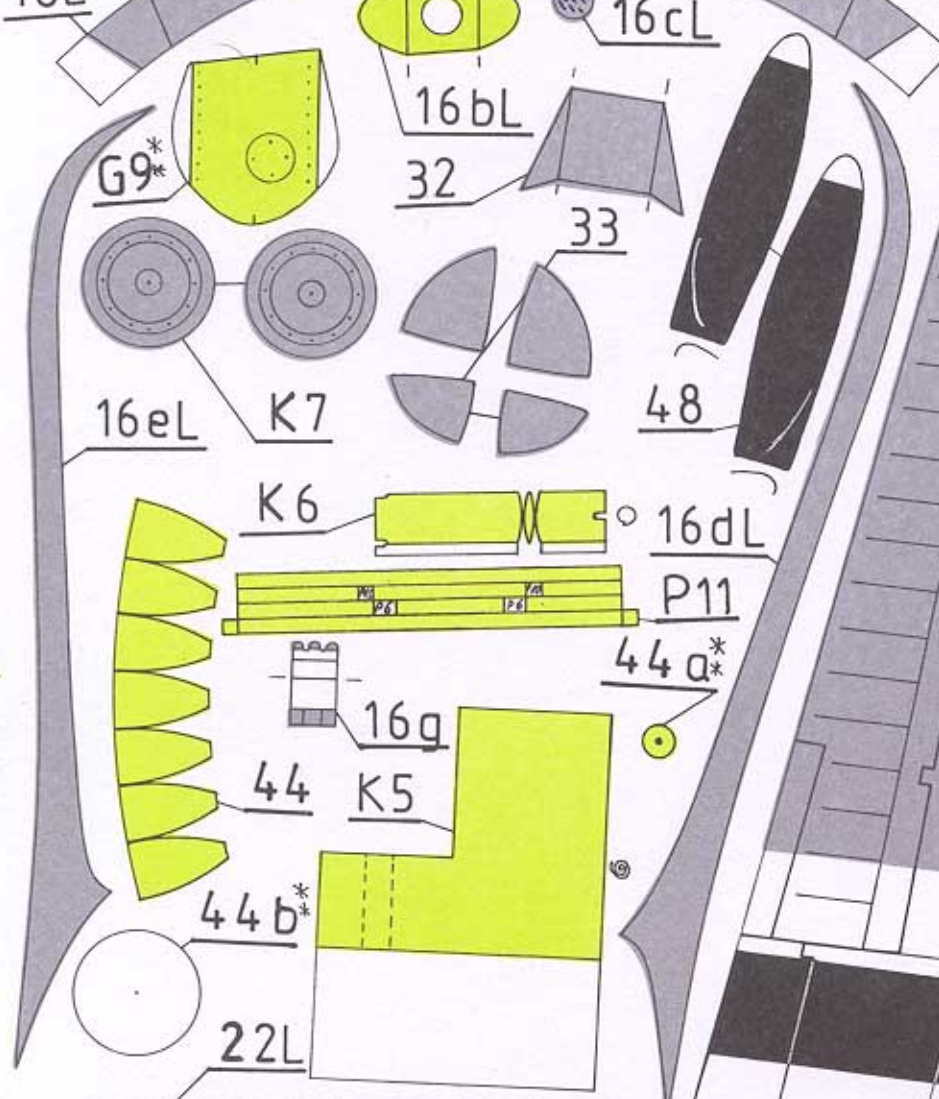
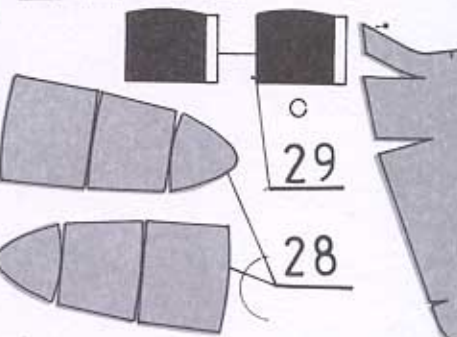
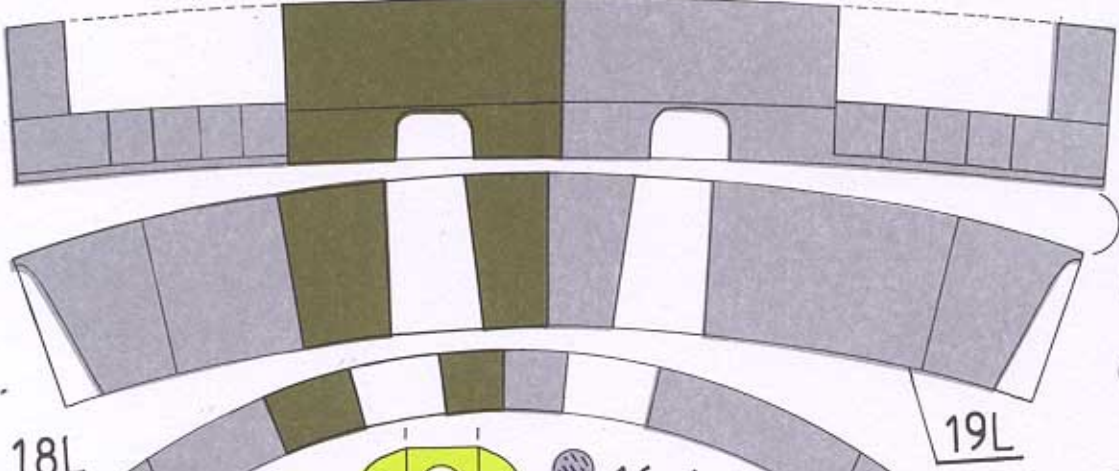
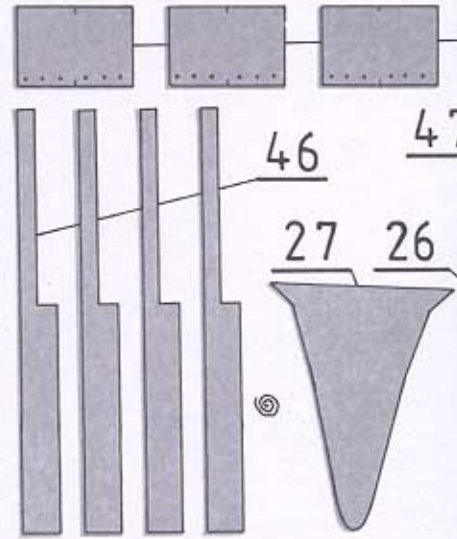
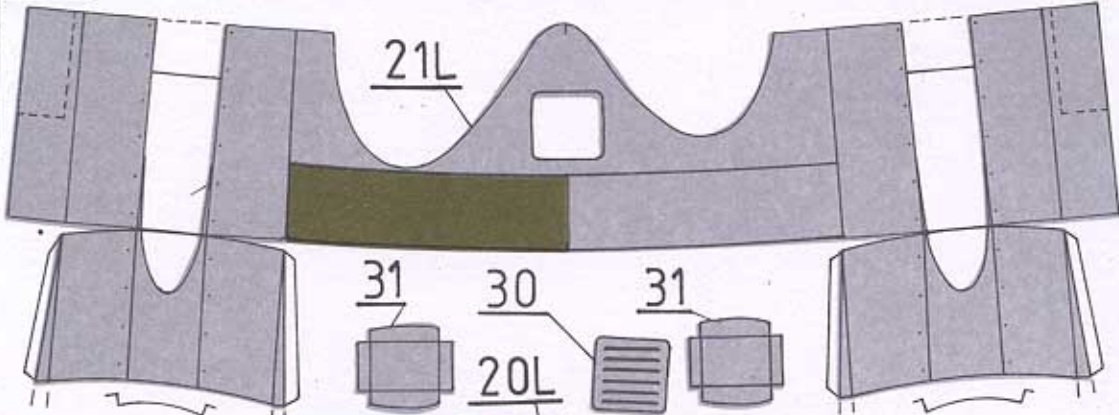
16bL

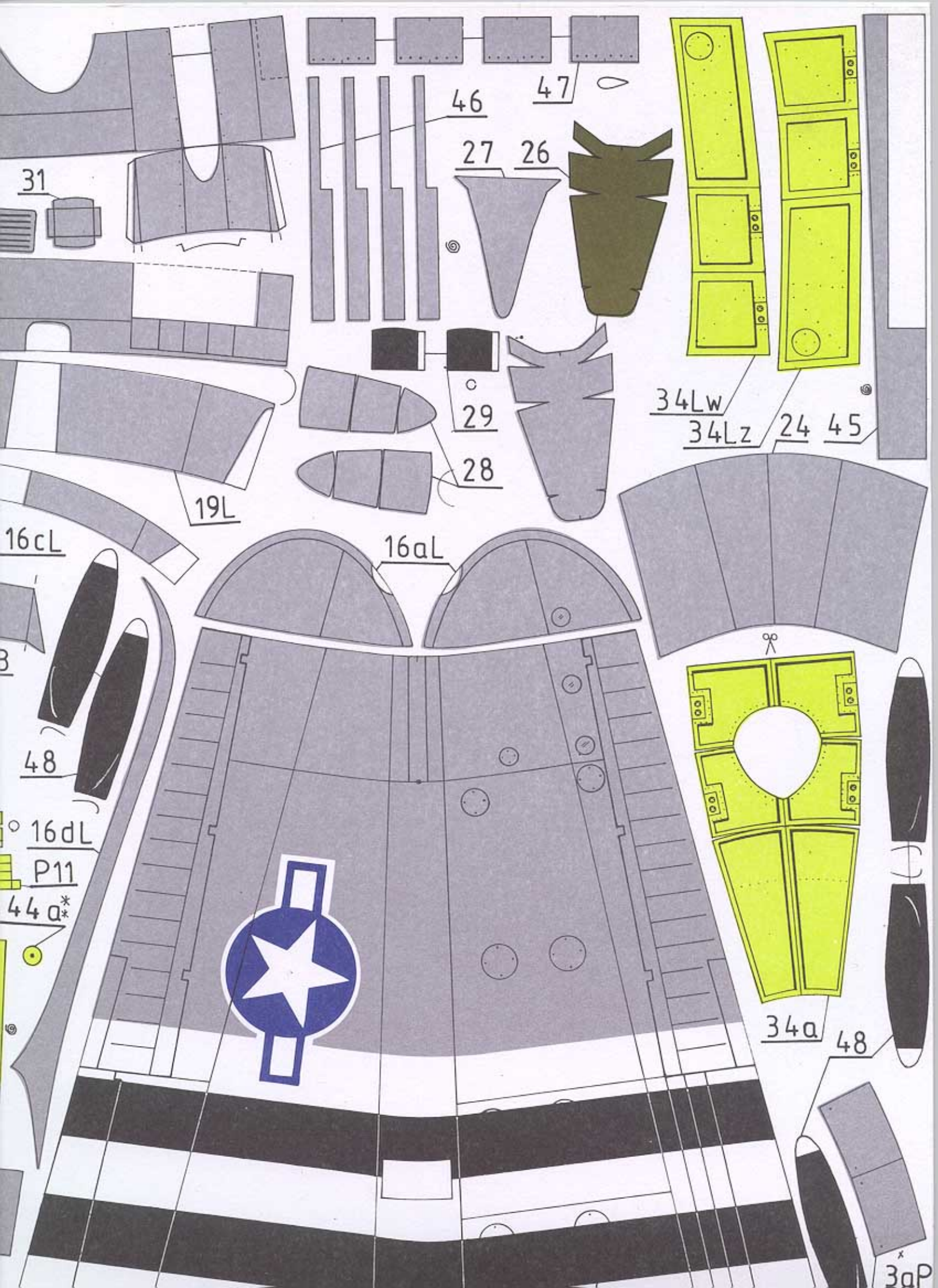
G9*

16aL

10cL







31

46

47

27

26

34Lw

34Lz

24

45

19L

16cL

16aL

48

16dL

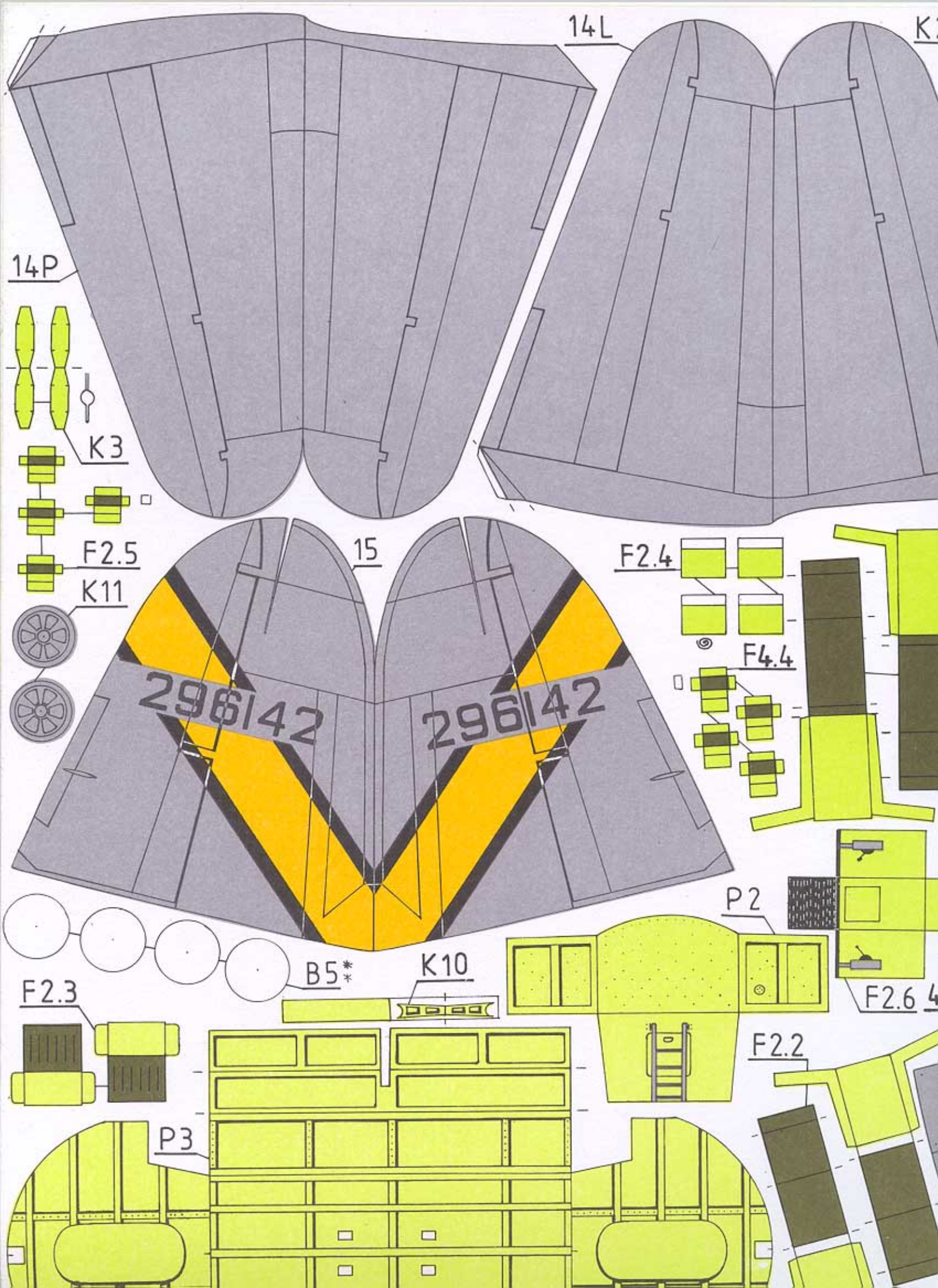
P11

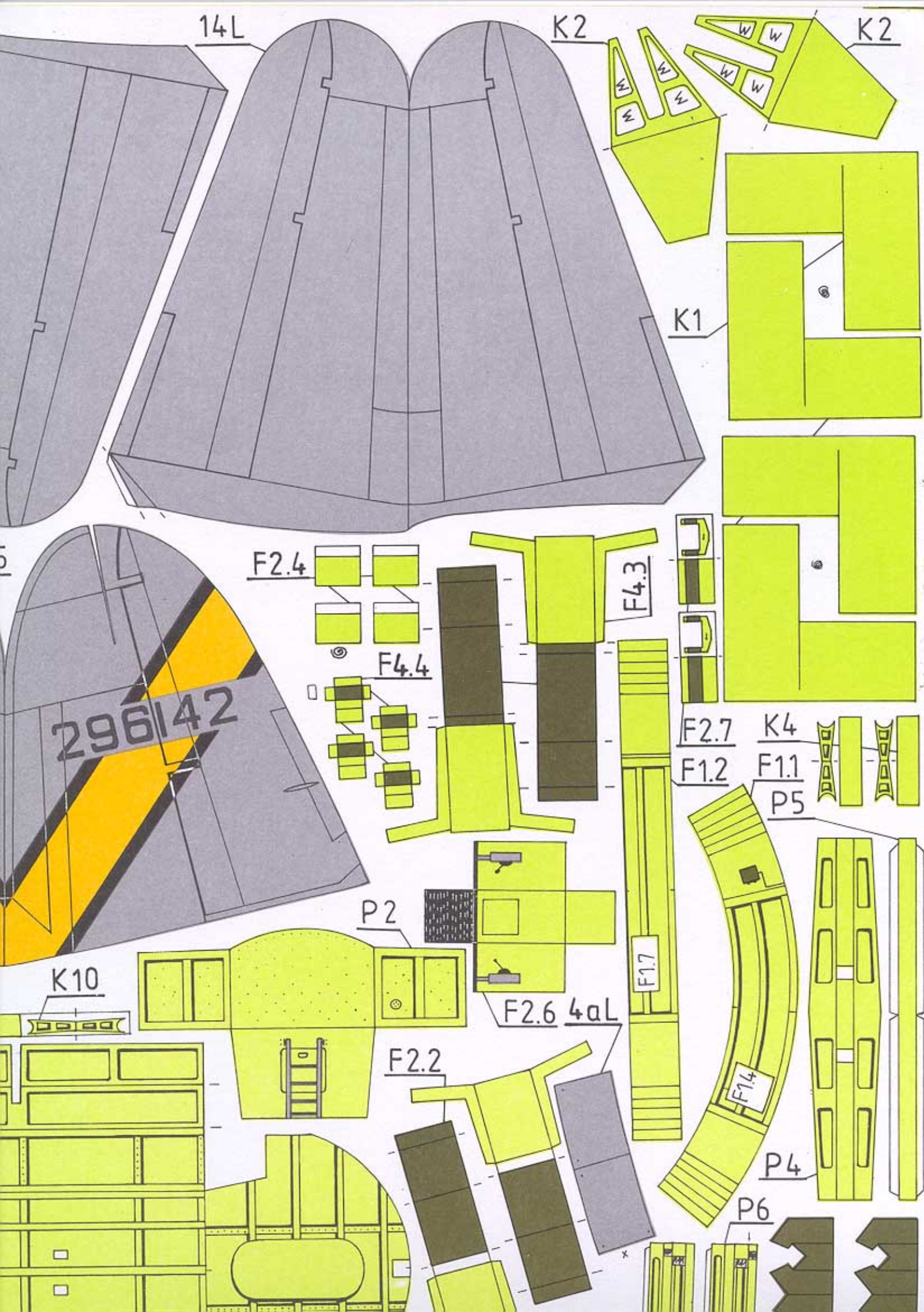
44 a*

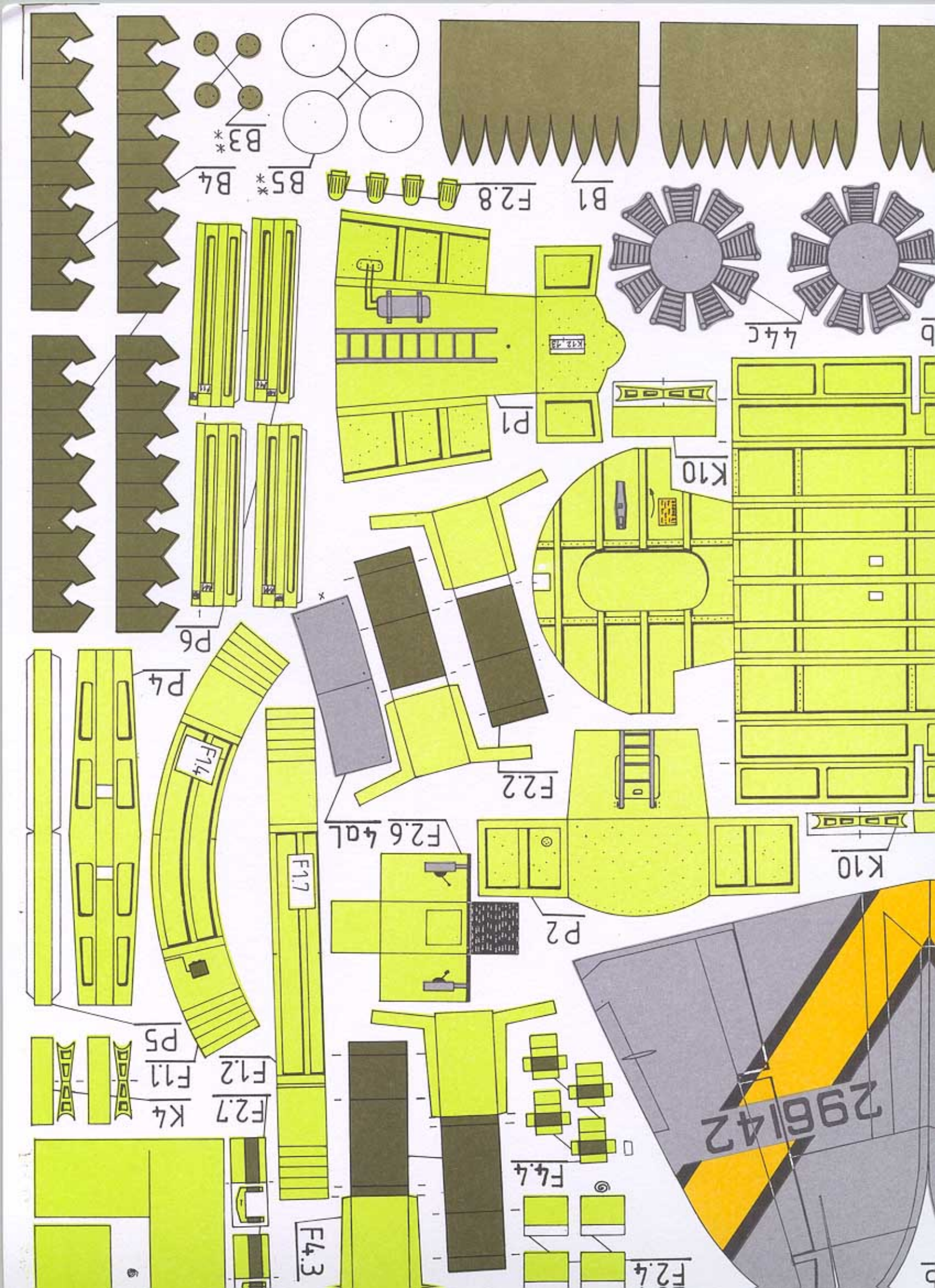
34a

48

3aP









F6.3*

F6.6

F6.5**

F3.1

F1.6*

F3.6

F6.1

F5.1

37a

W

XIIIa

F5.2*

F4.1

XIII
W

F5.6

F5.8*

F3.5*

F5.7*

F3.8

P14
W
VI

E3.4

E3.4

F6.7

52

F1.4*

F3.2*

F2.10*

F3.7*

P12*

F1.8*

P

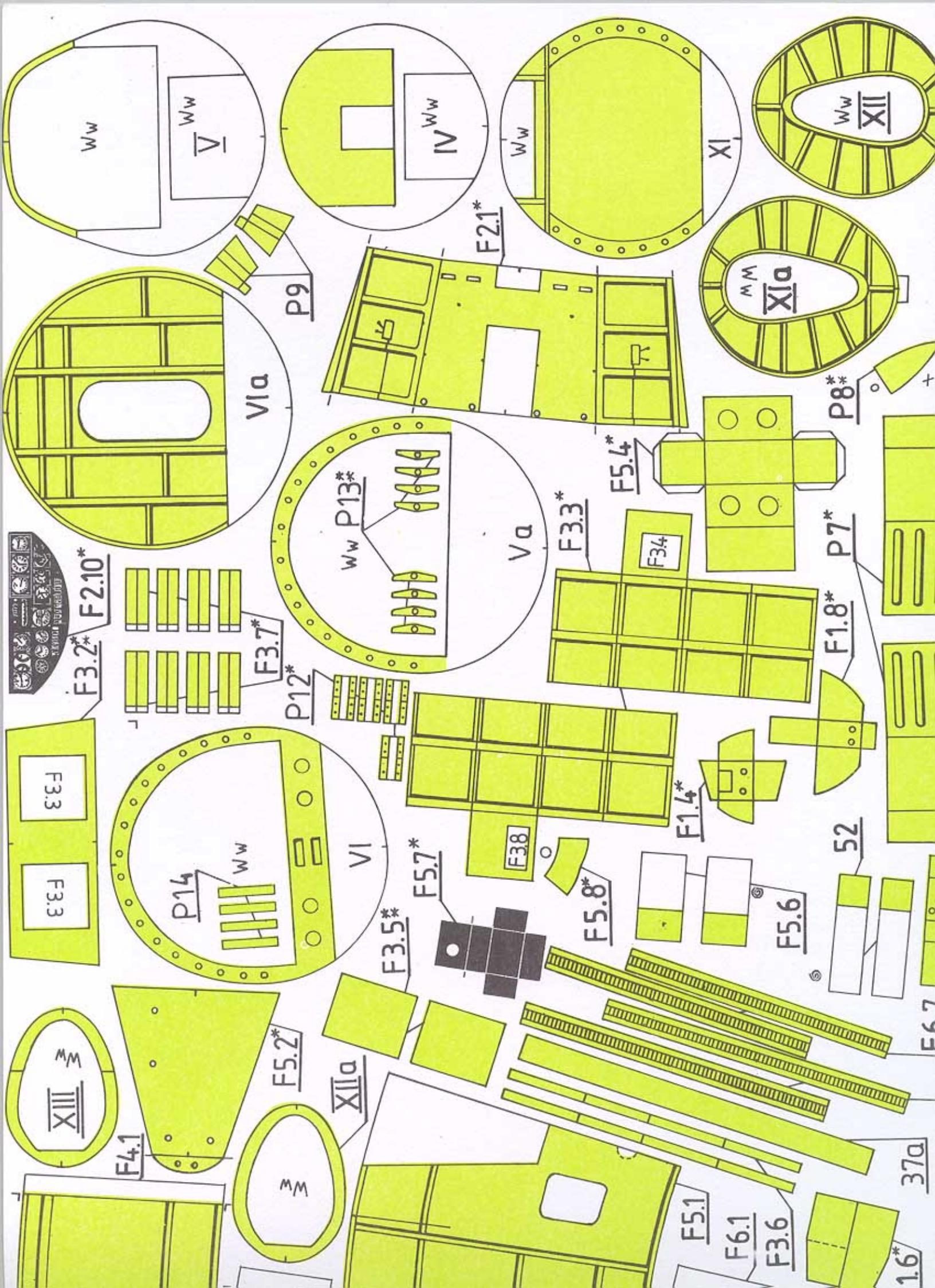
F3.4

F

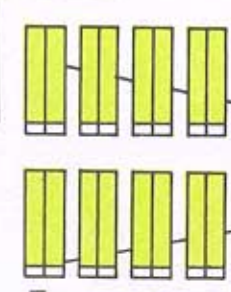
V

W



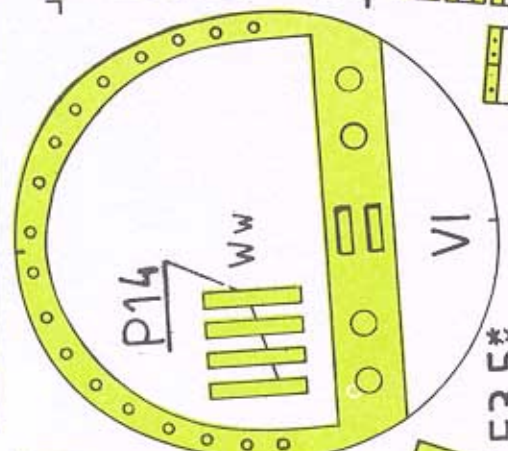
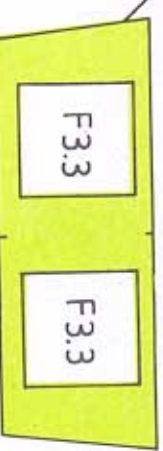


F3.2* F2.10*

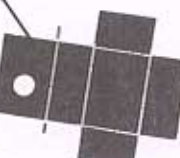


F3.7*

P12*



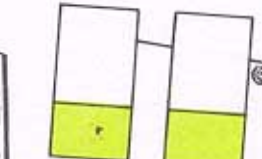
F5.7*



F38



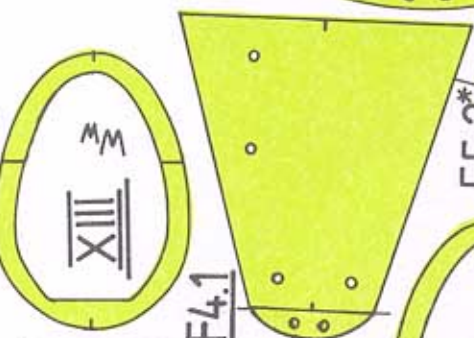
F5.8*



F5.6



52



F4.1

F5.2*



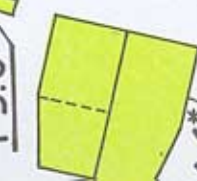
XIIa



F5.1

F6.1

F3.6



1.6*

37a

Ww

Ww

V

Ww

IV

Ww

XI

Ww

XII

Via

P9

F2.1*

Ww

P13*

Va

F3.3*

F5.4*

F34

P8*

Ww

XIa

P7*

F1.8*

F3.3

F3.3

P14

Ww

VI

F3.5*

F5.7*

F38

F5.8*

F5.6

52

F5.2*

XIIa

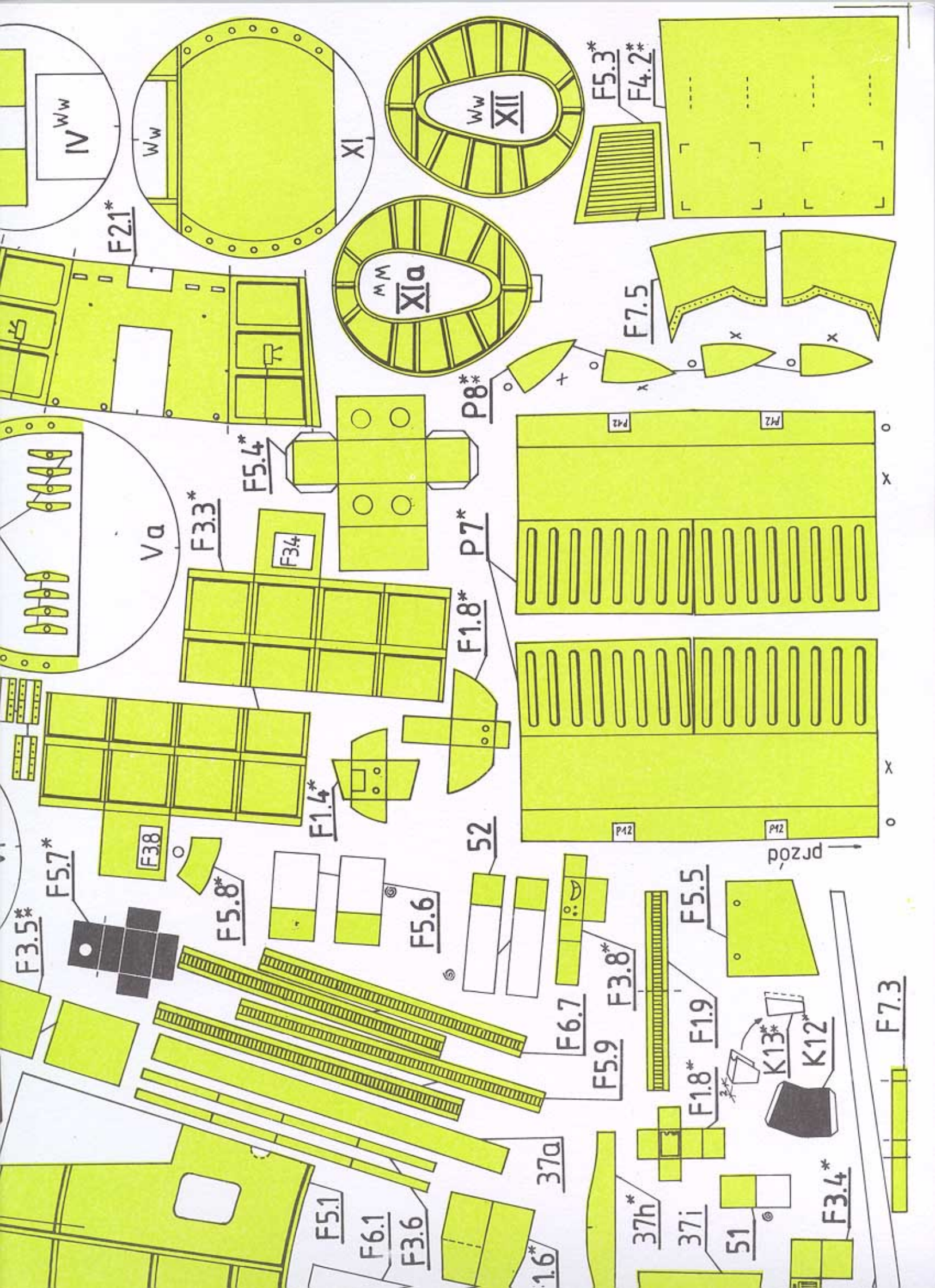
F5.1

F6.1

F3.6

1.6*

37a



IV^{w/w}

XI^{w/w}

XII^{w/w}

F2.1*

F5.3*

F4.2**

XIa^{m/w}

F7.5

P8*

F2.1*

Va

F5.4*

F3.3*

F3.4

P7*

F1.8*

F1.4*

F3.8

52

przd

F3.5*

F5.7*

F5.8*

F5.6

F6.7

F3.8*

F5.5

F3.5*

F5.1, F6.1, F3.6, 37a, 37h*, 37i, 51

F5.9

F1.8*

F1.9

K13*

K12*

F7.3

F5.1

F6.1

F3.6

1.6*

37h*

37i

51

F3.4*