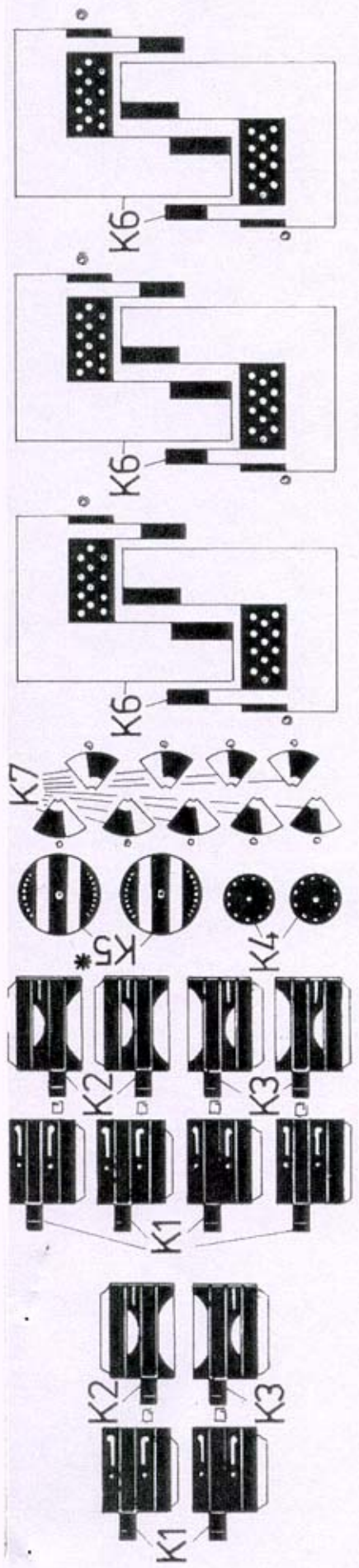
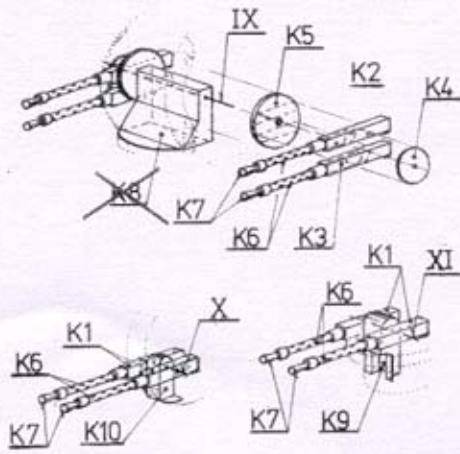
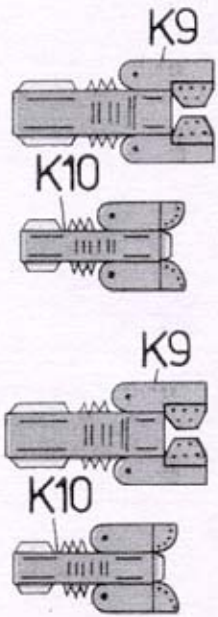
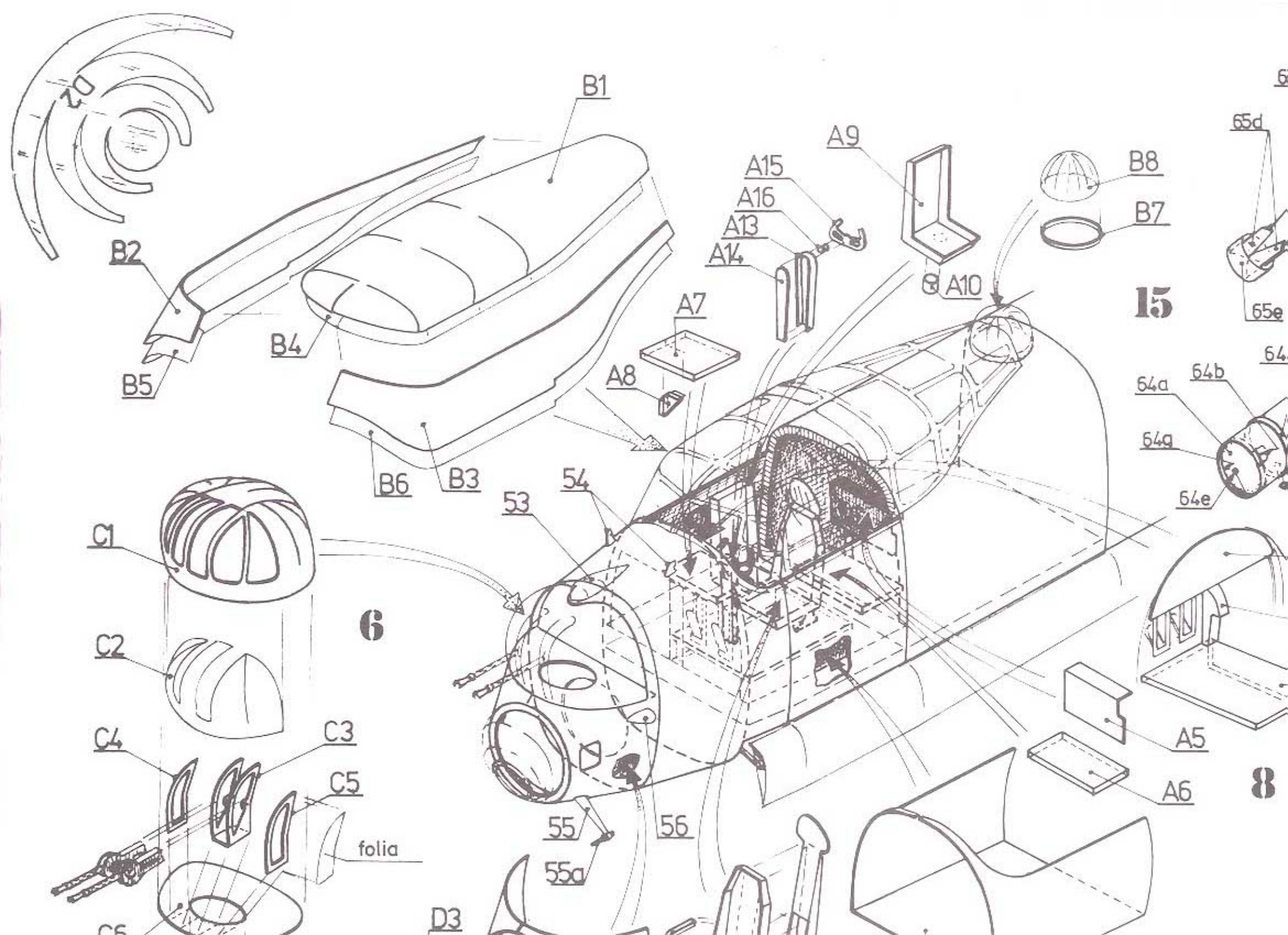


J. WROBEL  
MCMXCVI

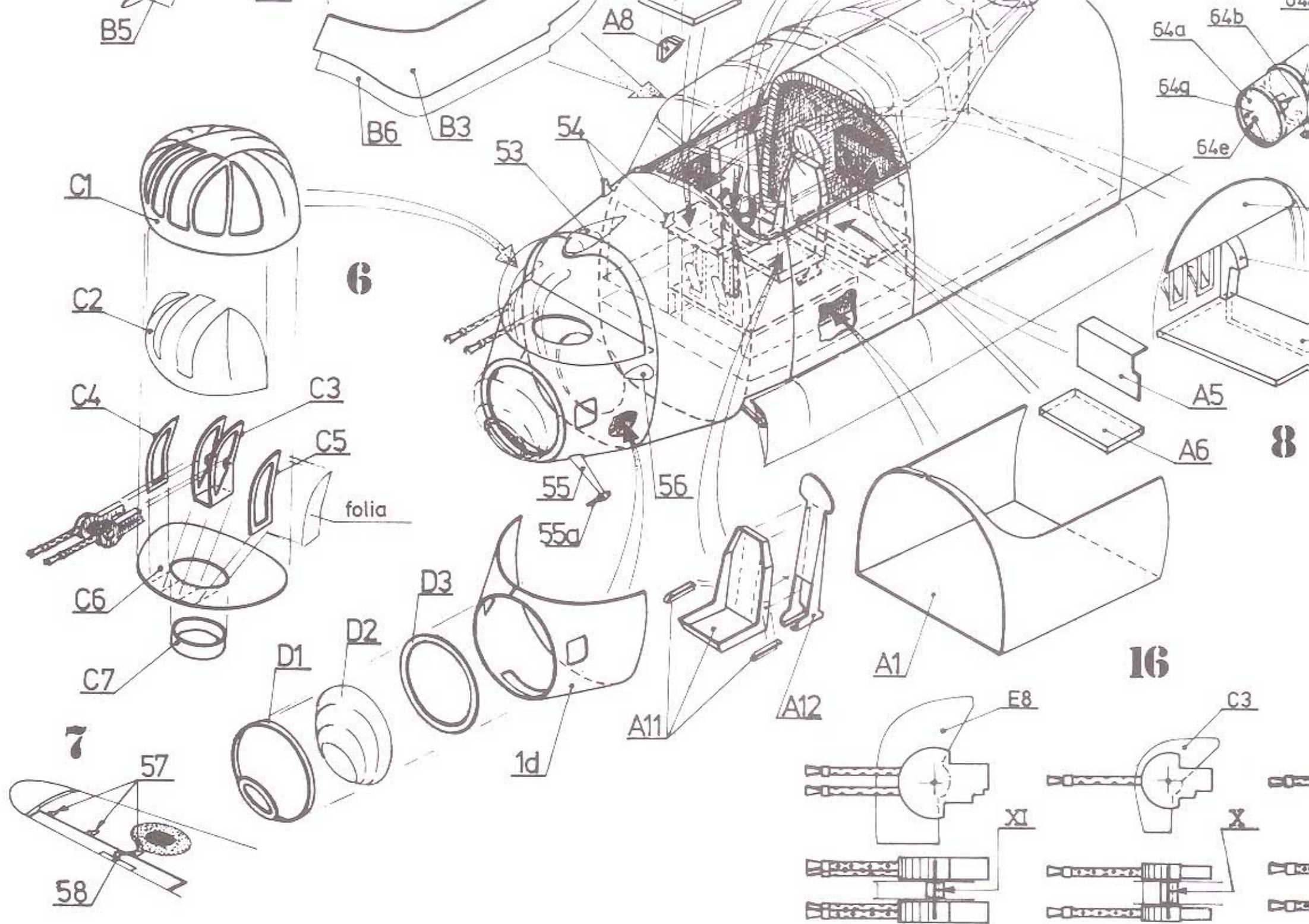


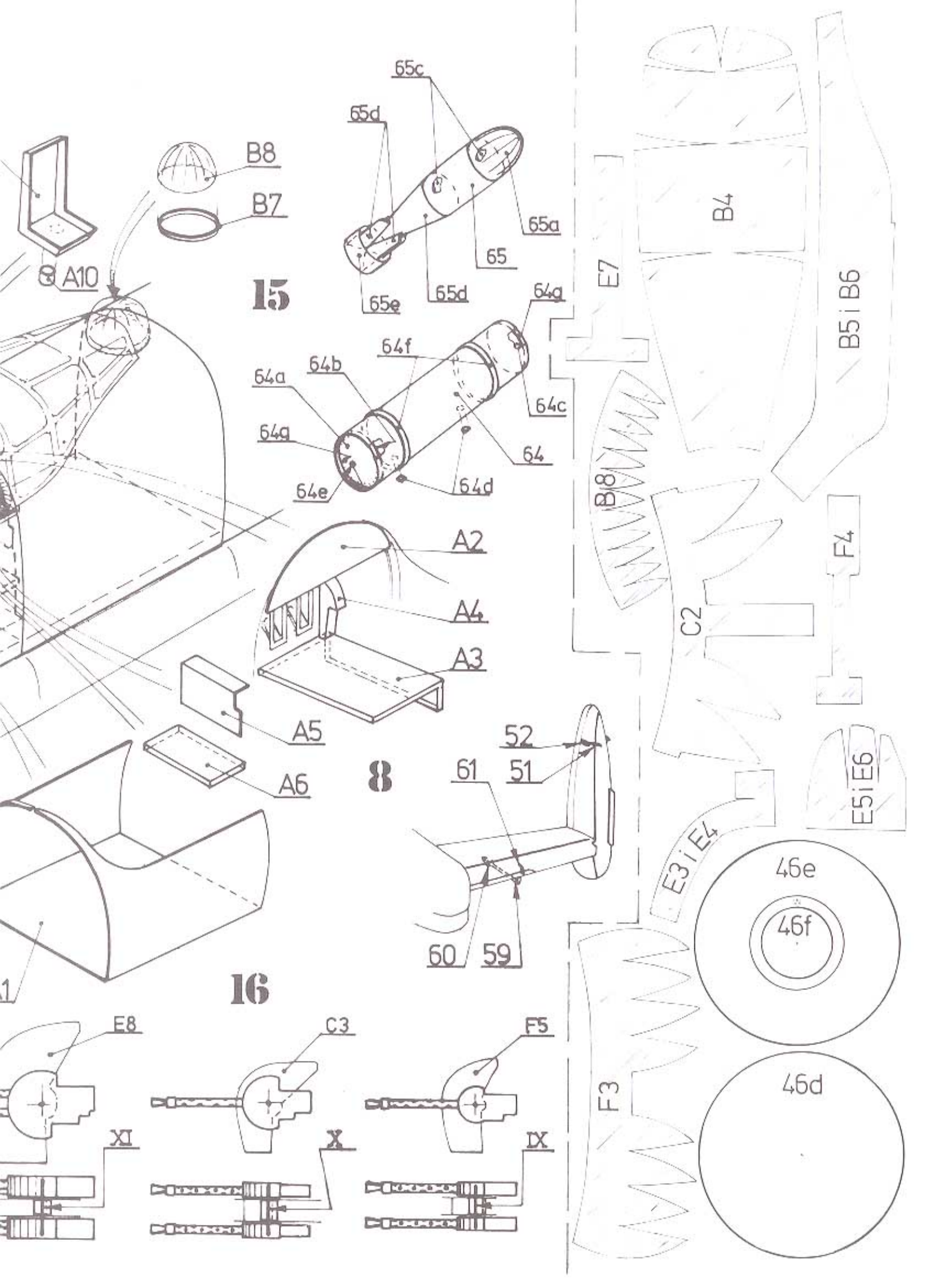
The Lancaster kit has no paper guns.  
 These guns are from the Halifax kit.  
 They can be adapted.





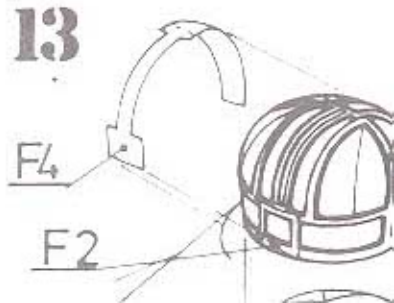
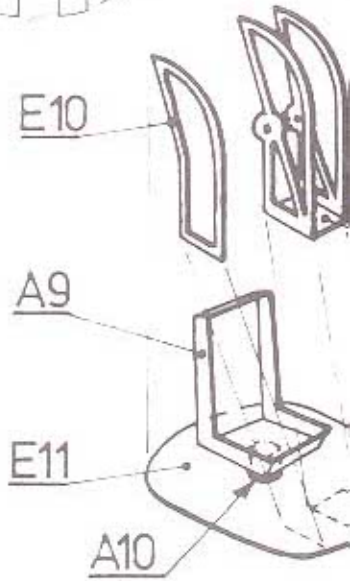
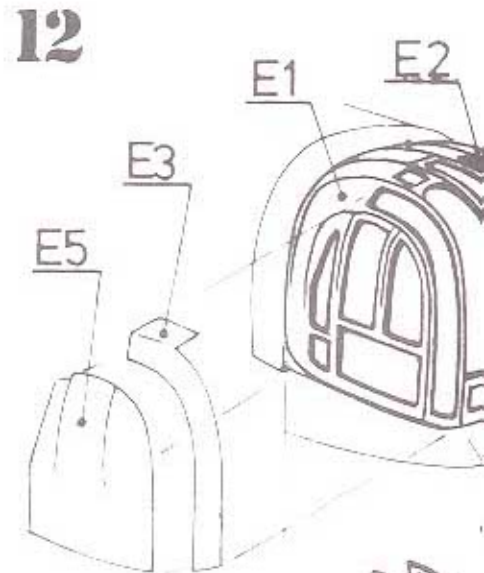
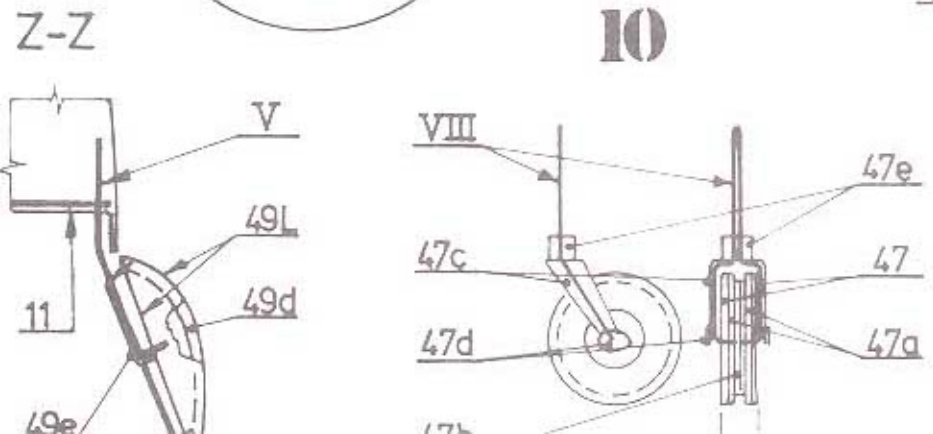
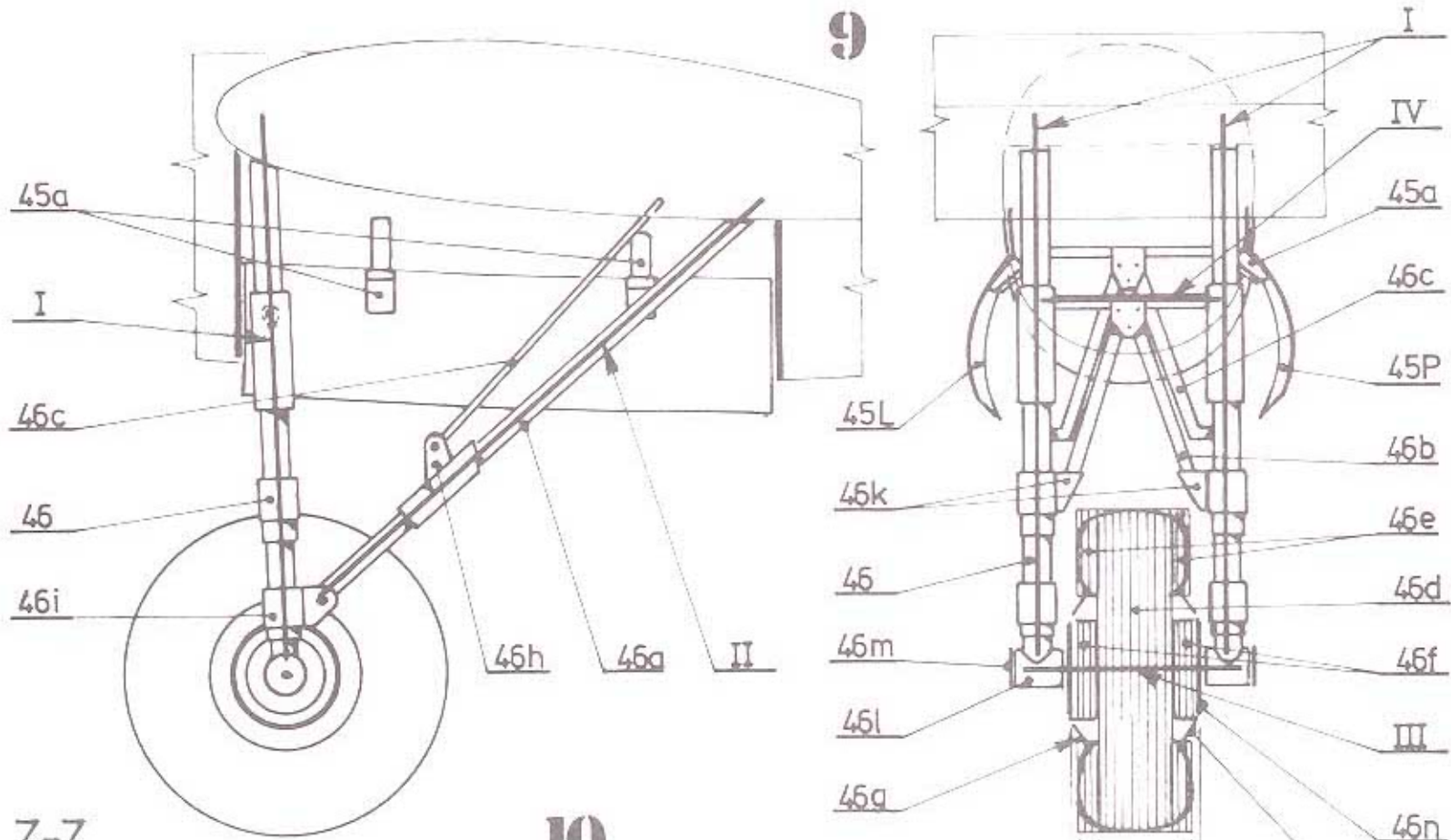


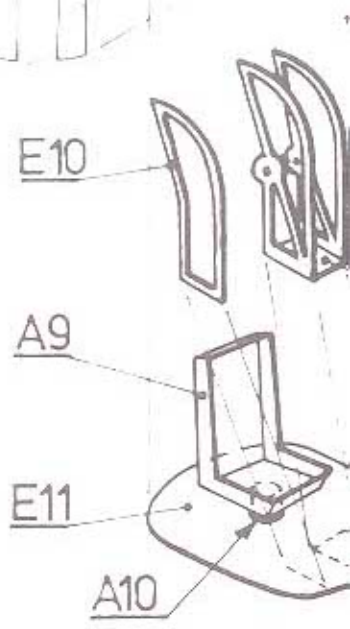
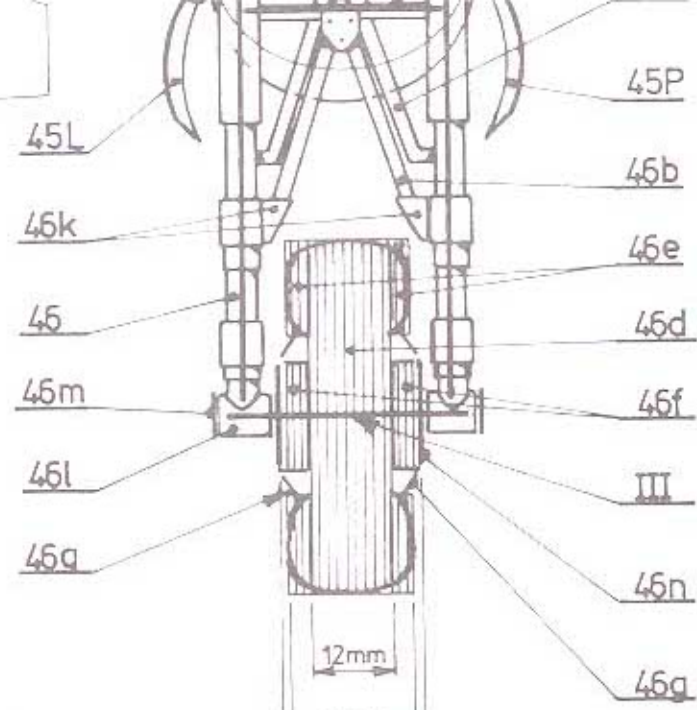
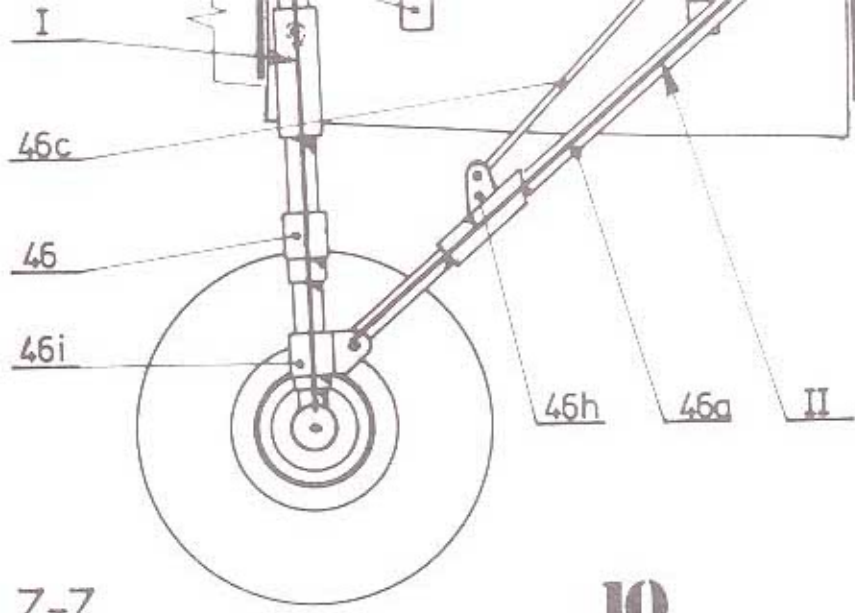






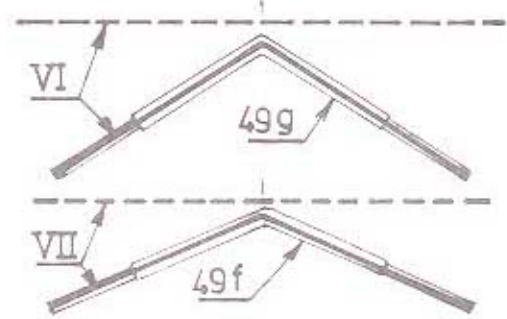
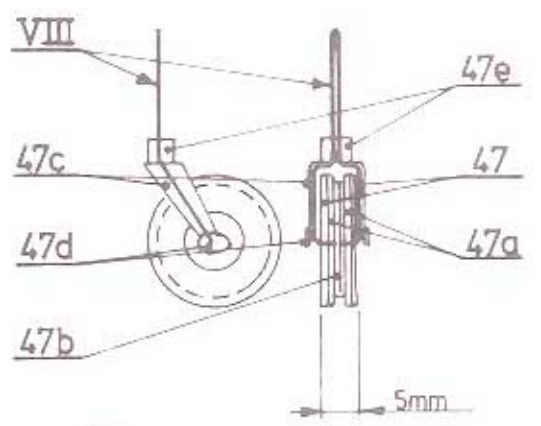
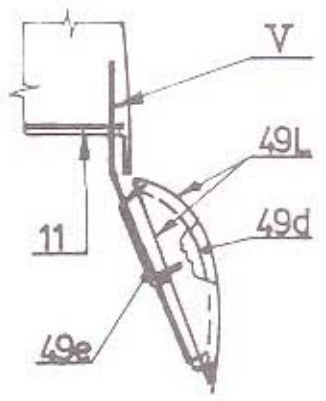
Drut	I	II	III	IV	V	VI	VII	VIII	IX	X	XI
		sztuk									
∅0,8mm	4	4	2	2	8	—	—	—	—	—	—
∅0,5mm	—	—	—	—	—	1	1	1	1	1	1



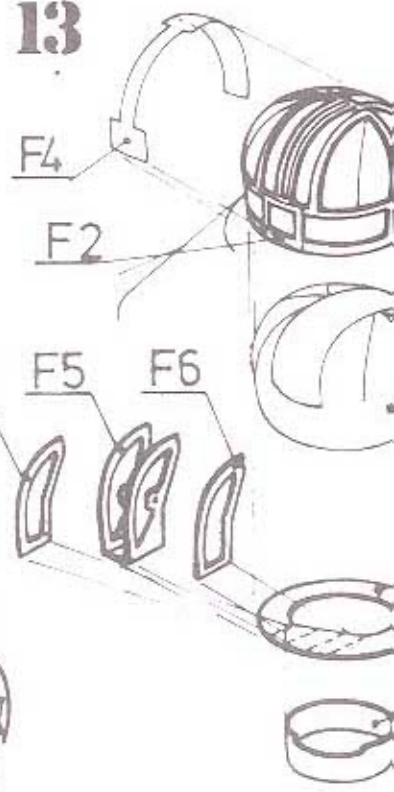


Z-Z

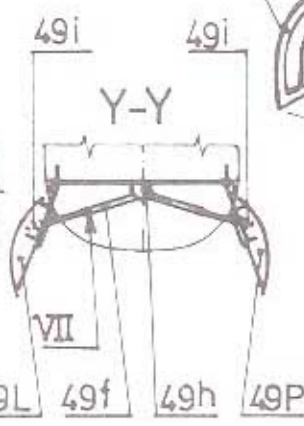
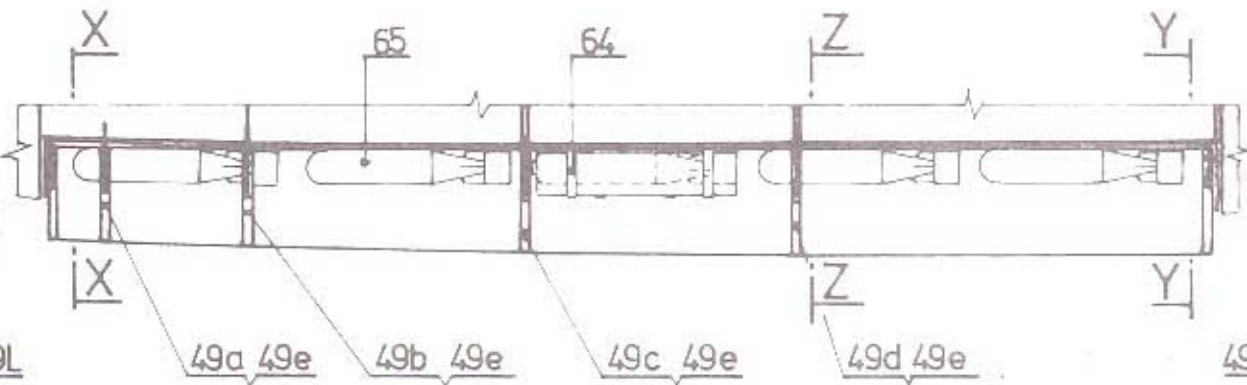
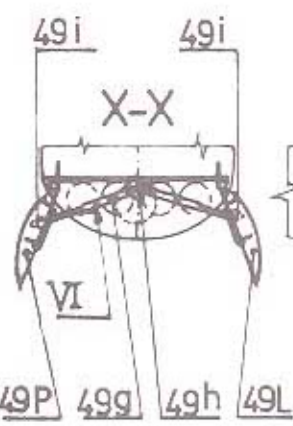
10



13

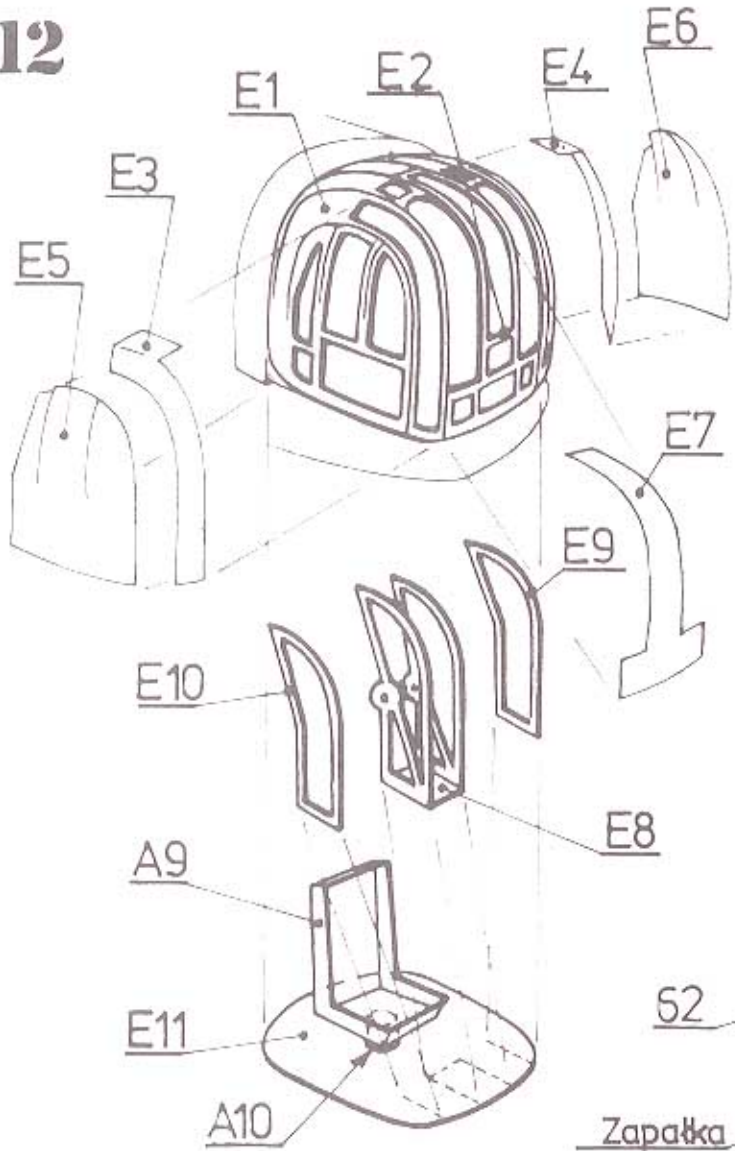


11



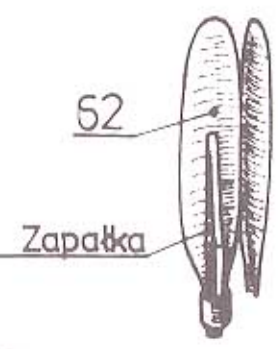


12

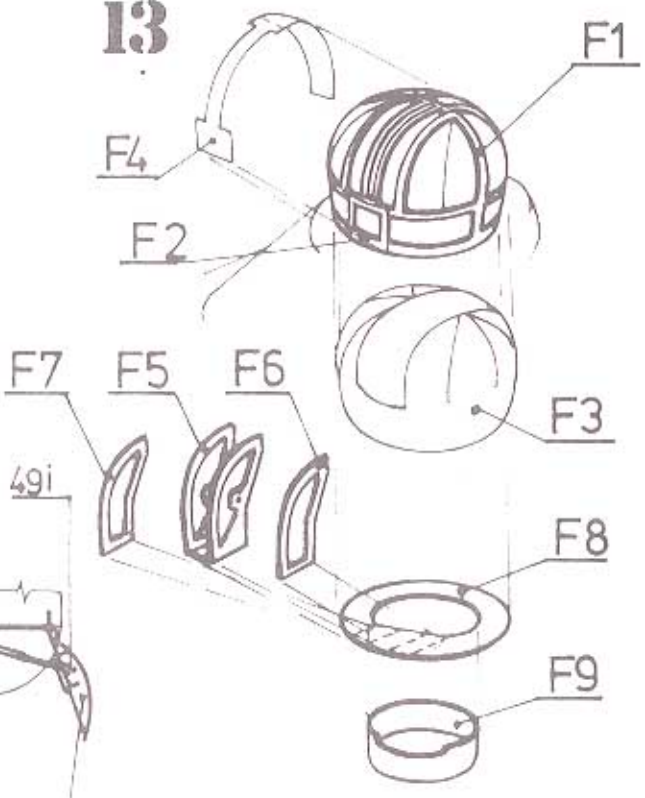


- I
- IV
- 45a
- 46c
- 45P
- 46b
- 46e
- 46d
- 46f
- III
- 46n
- 46g

14

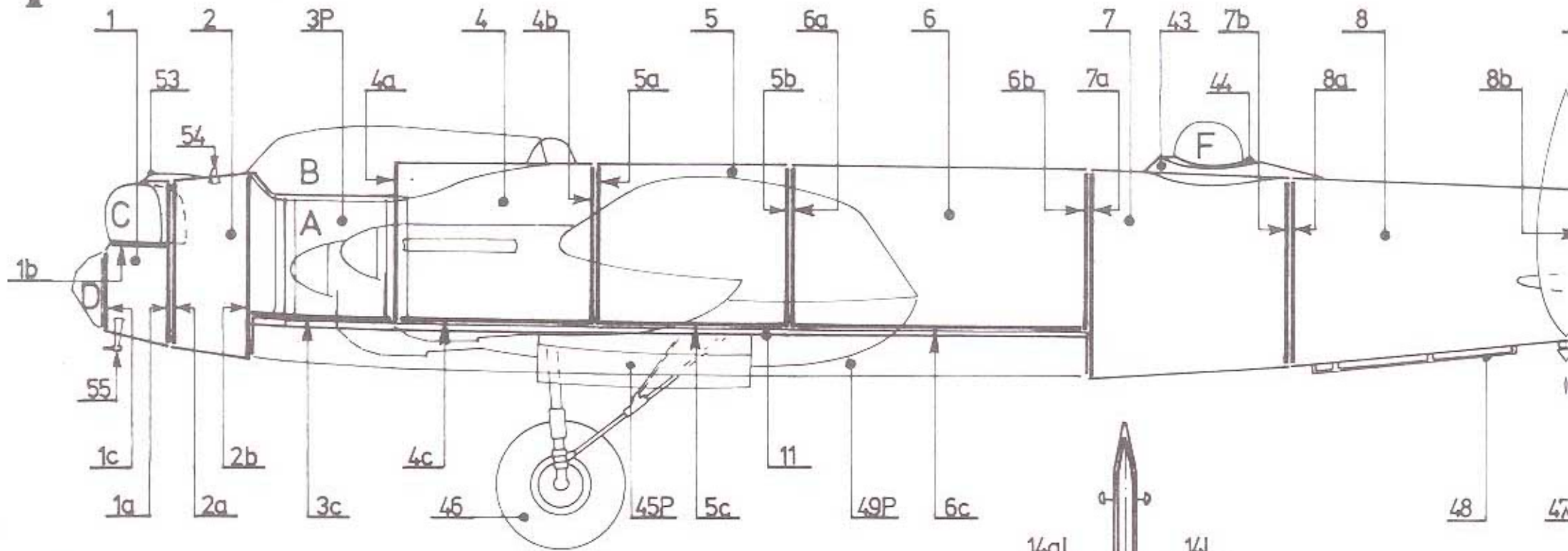
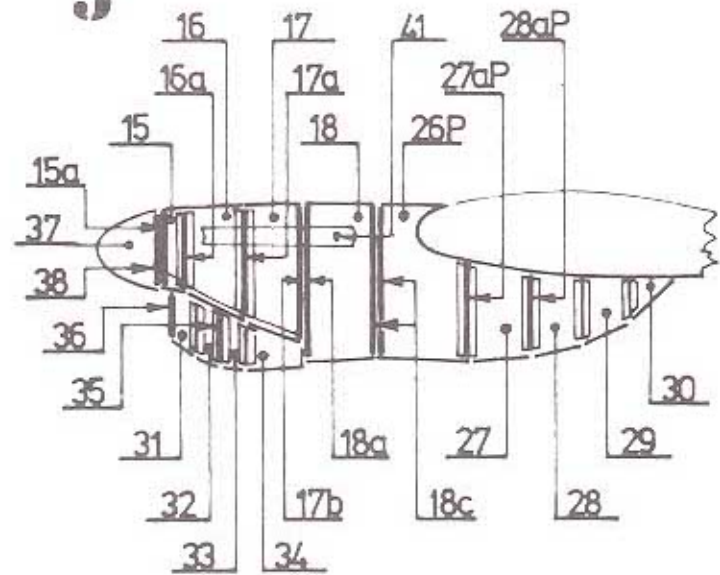
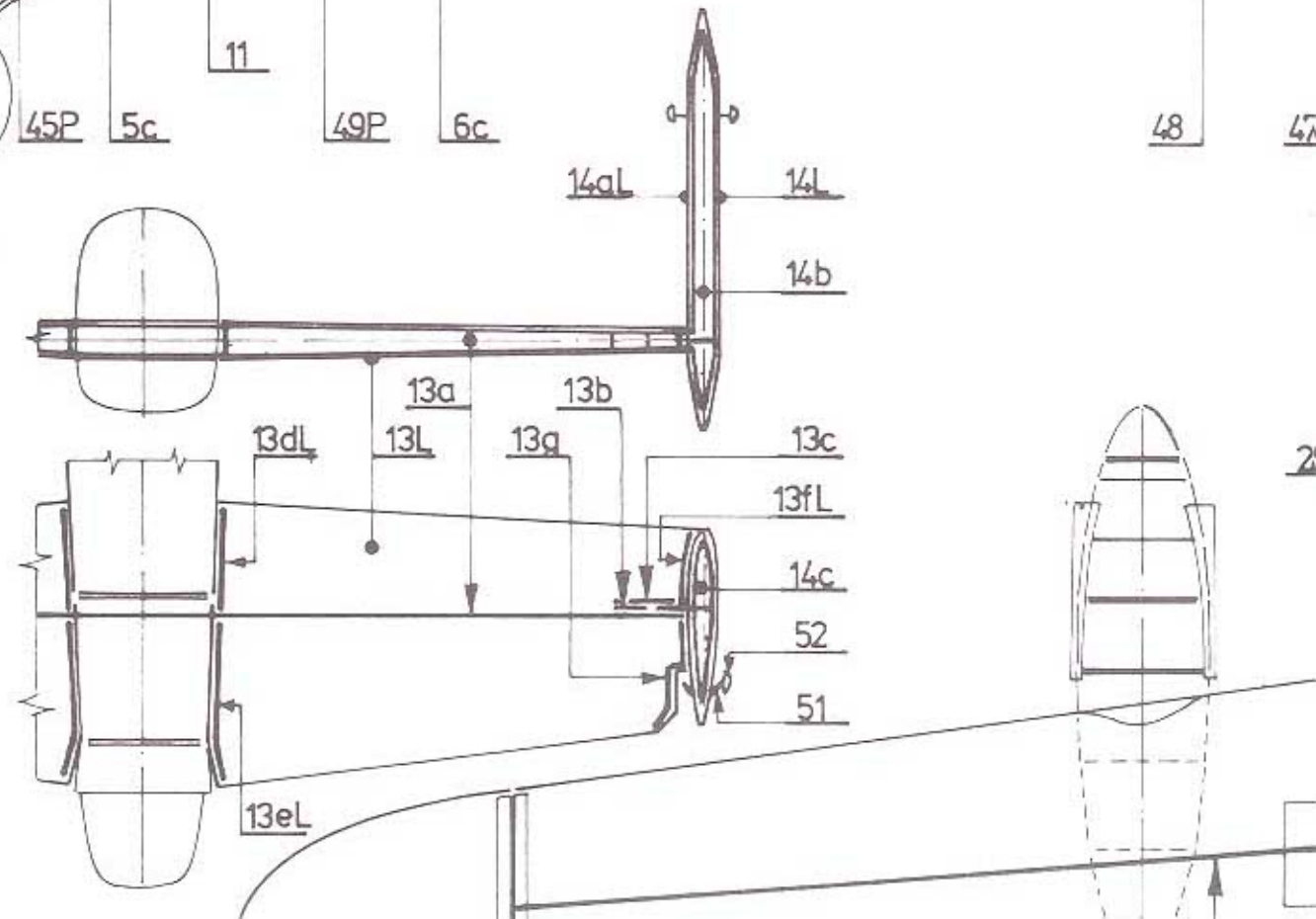


13



- 49i
- 49i
- Y-Y
- VII
- 49L
- 49f
- 49h
- 49P



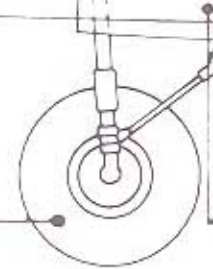
**I****5****3**

55

1c  
1a

2b  
2a

4c  
3c



45  
45P  
5c

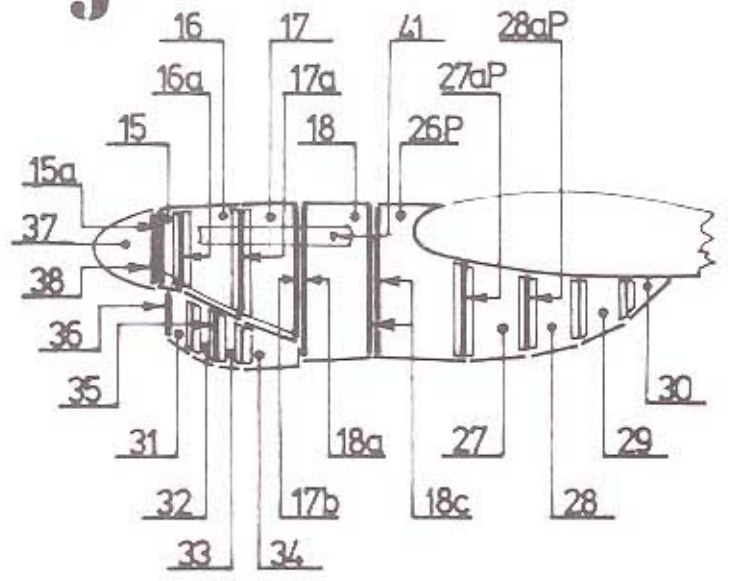
11

49P  
6c

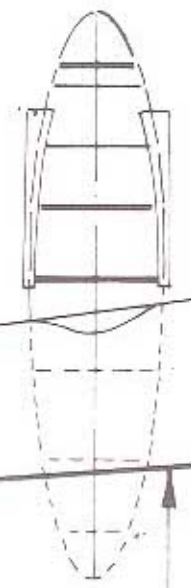
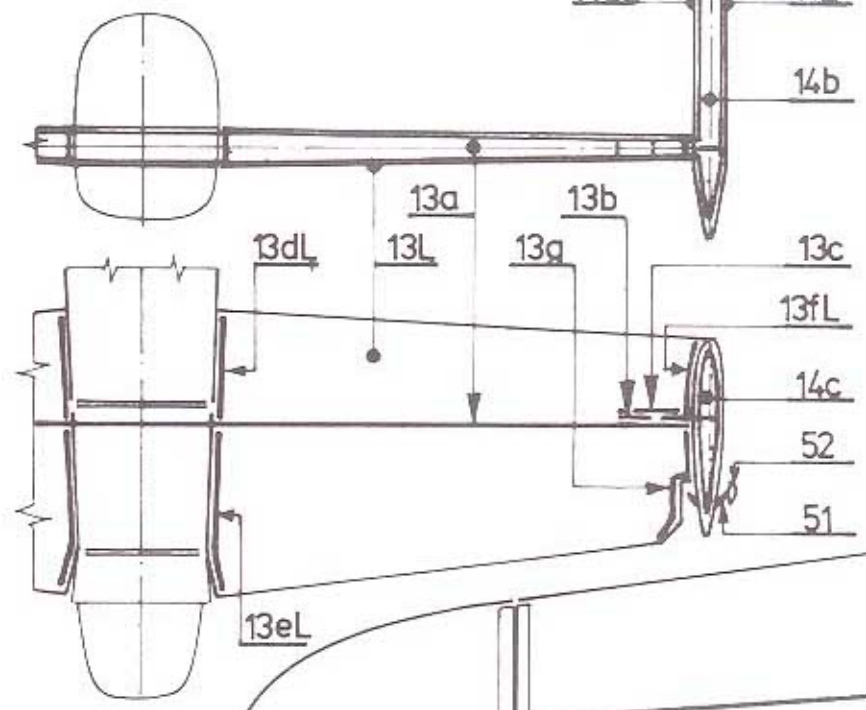
48

47

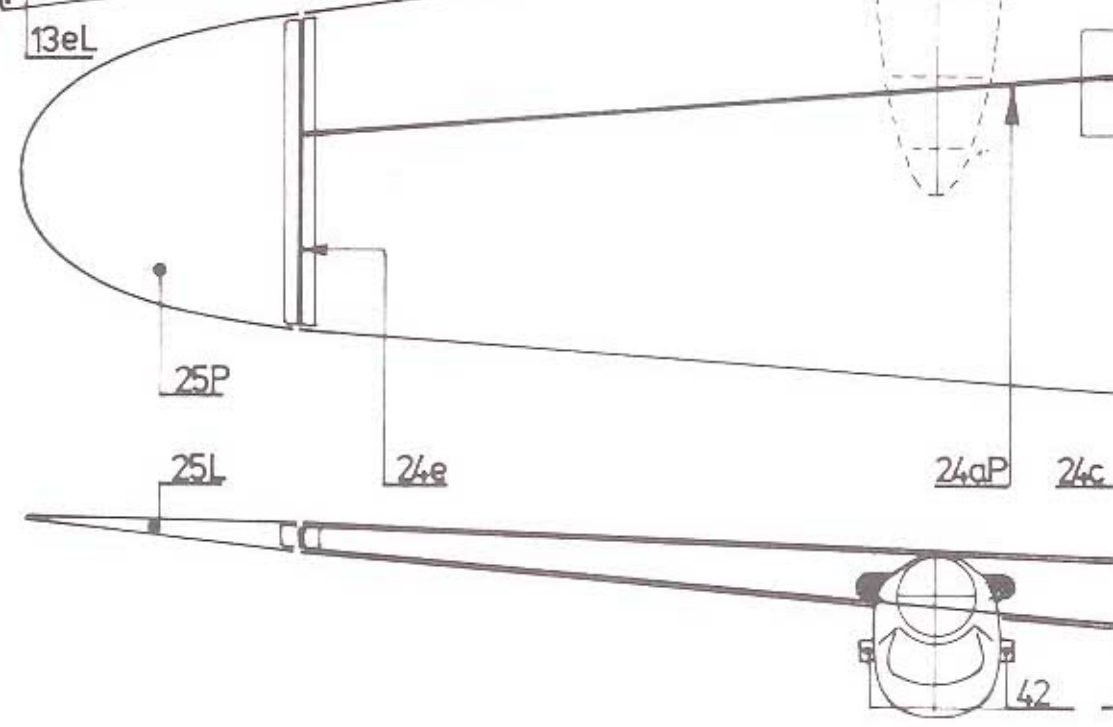
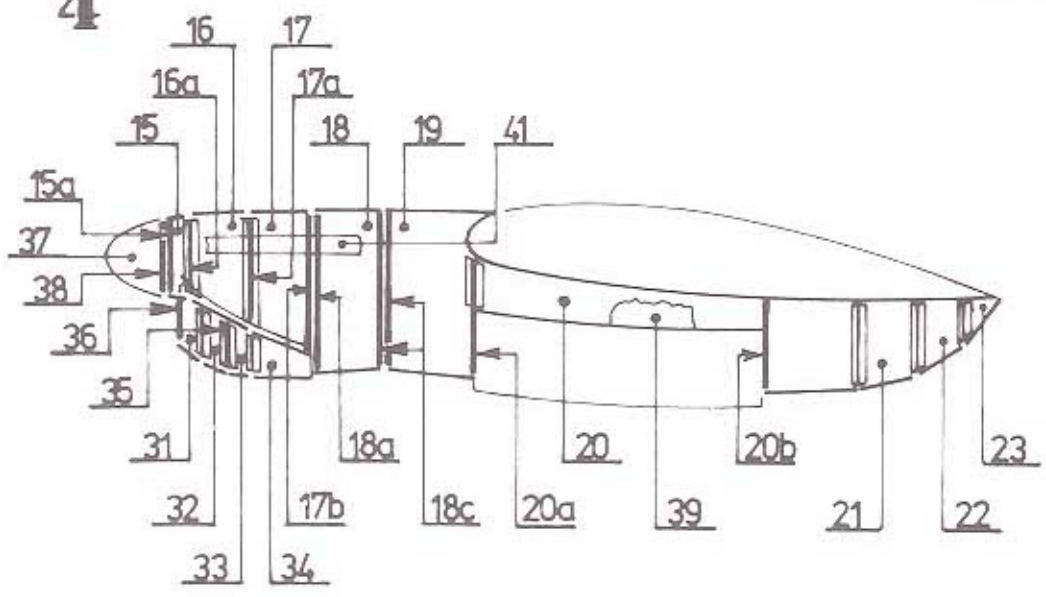
5



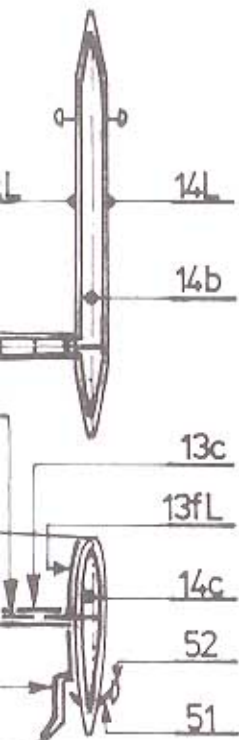
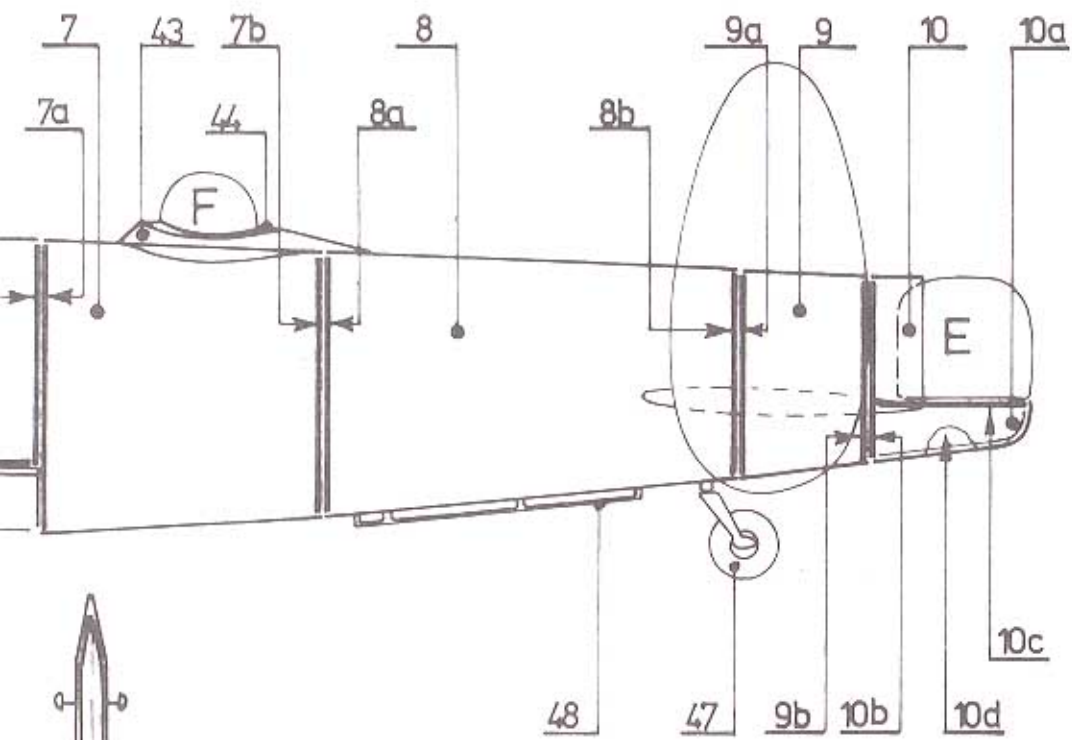
3



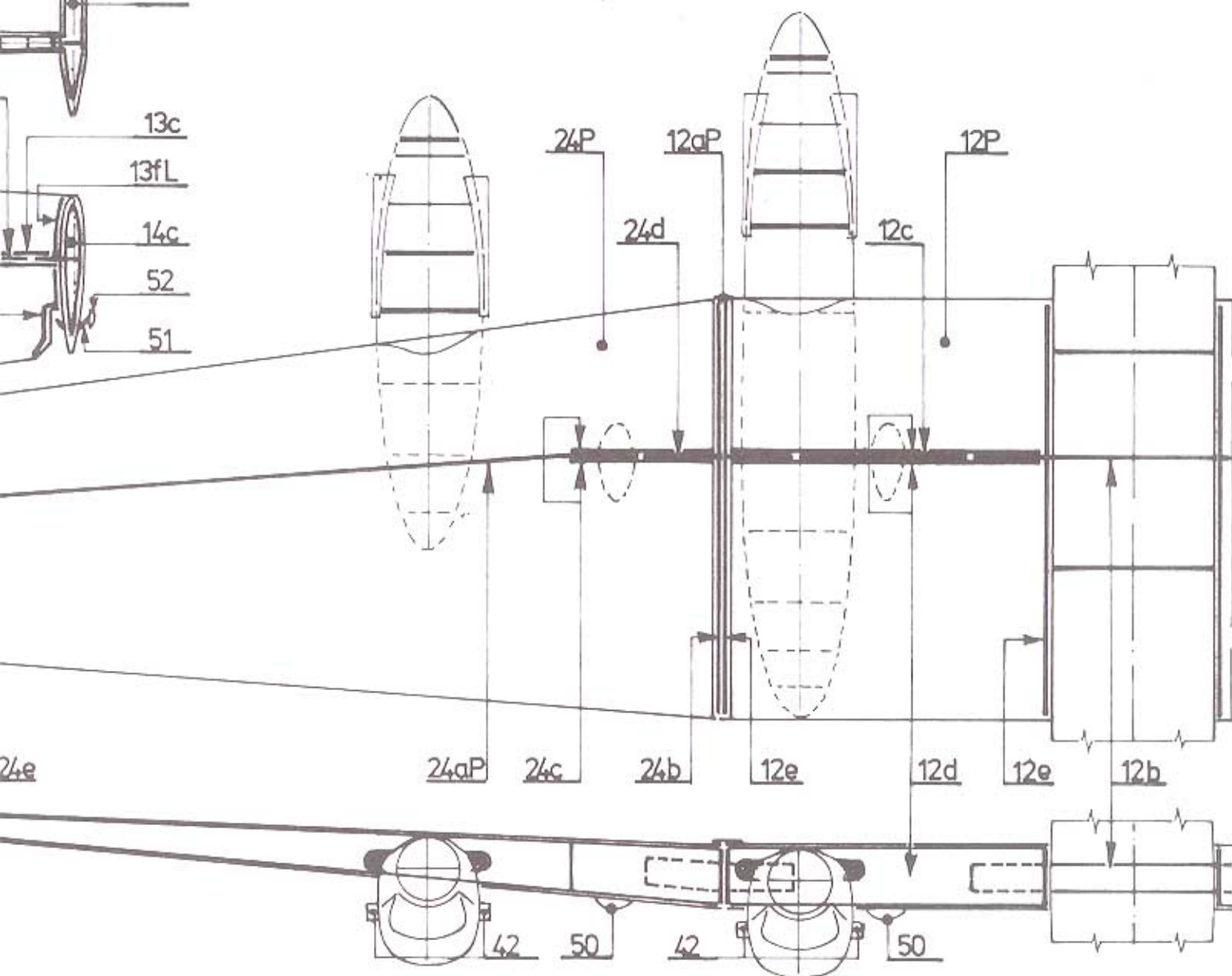
4

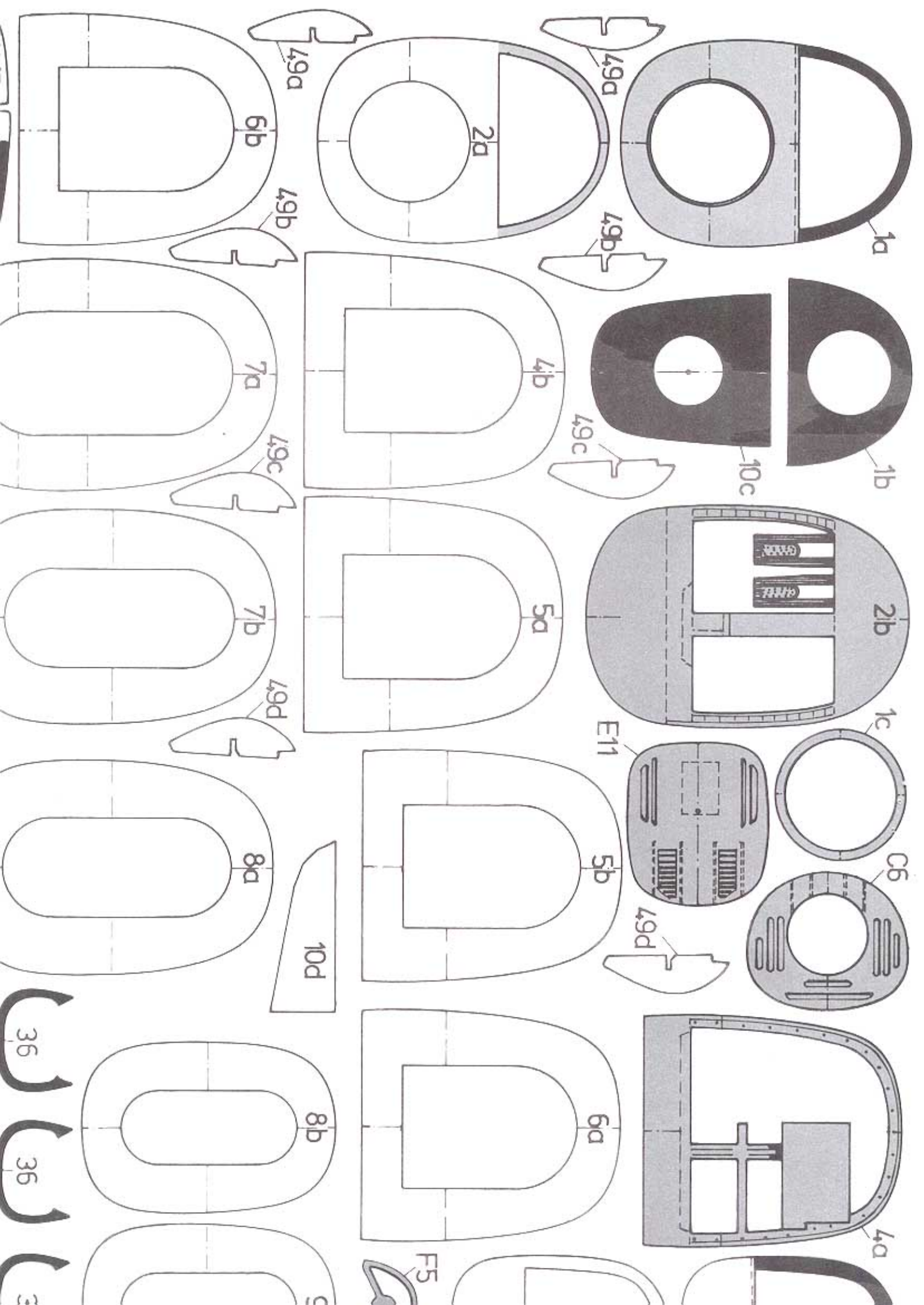




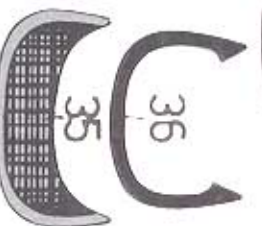
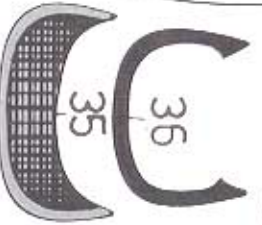
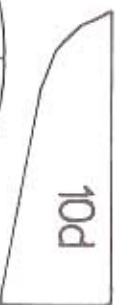
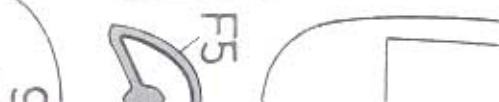
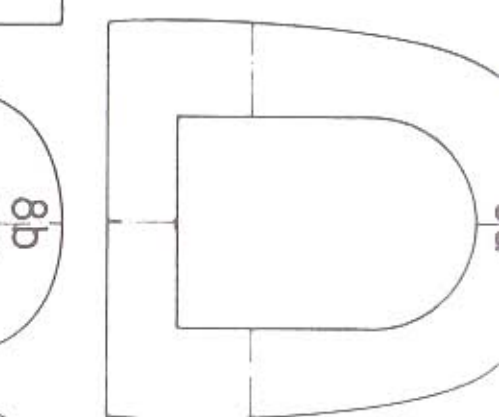
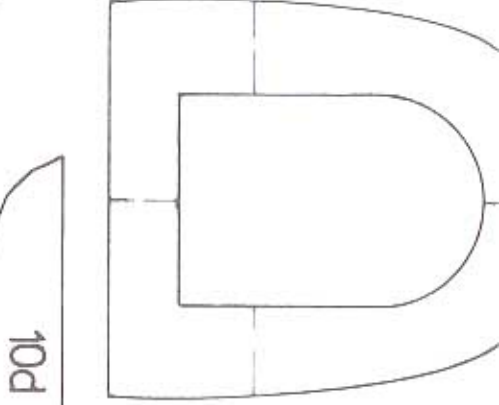
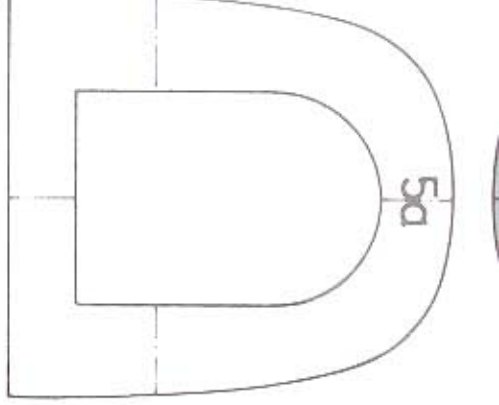
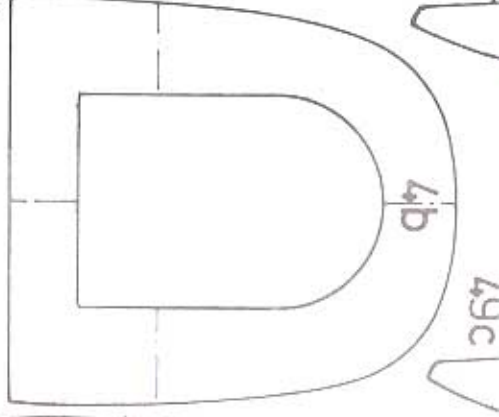
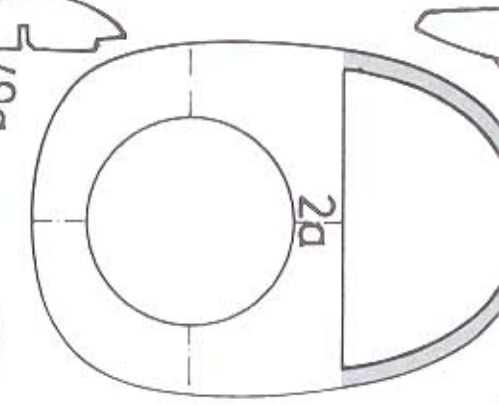
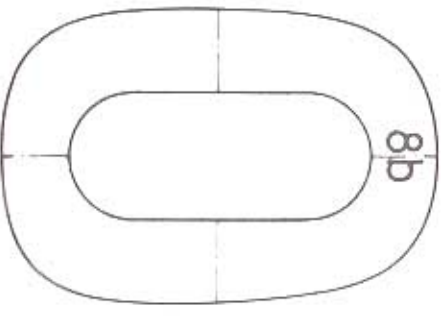
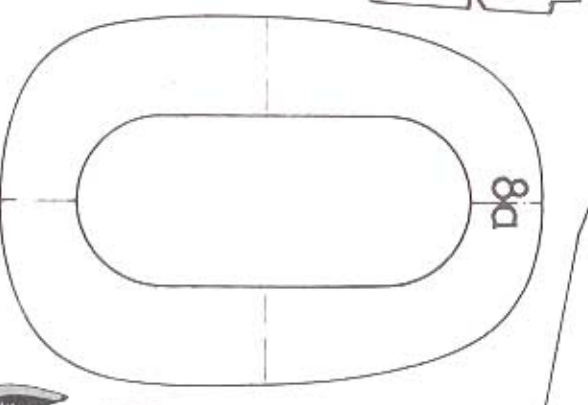
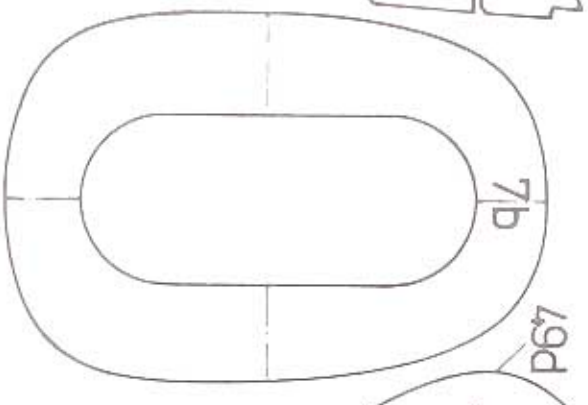
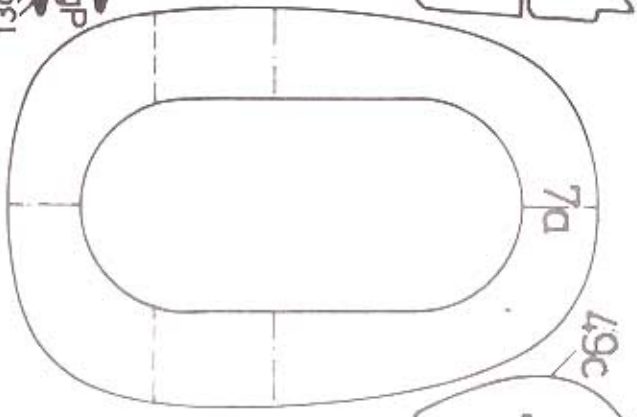
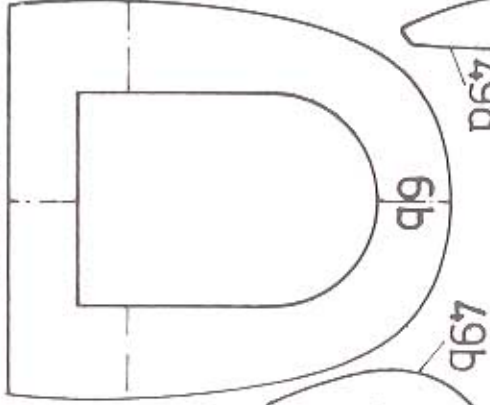
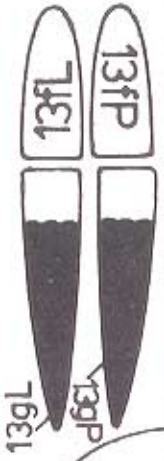
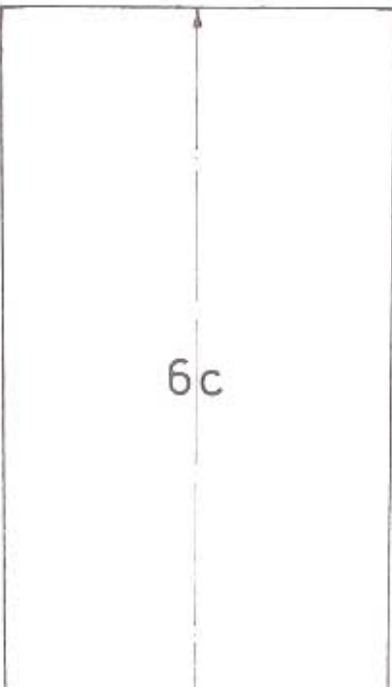
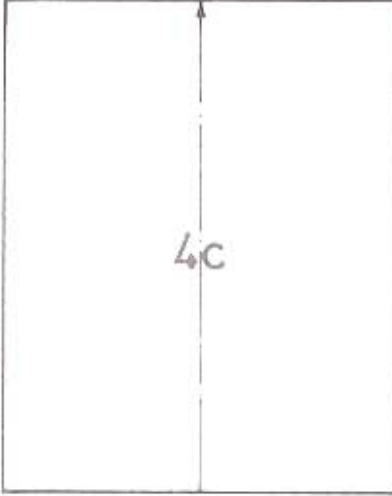


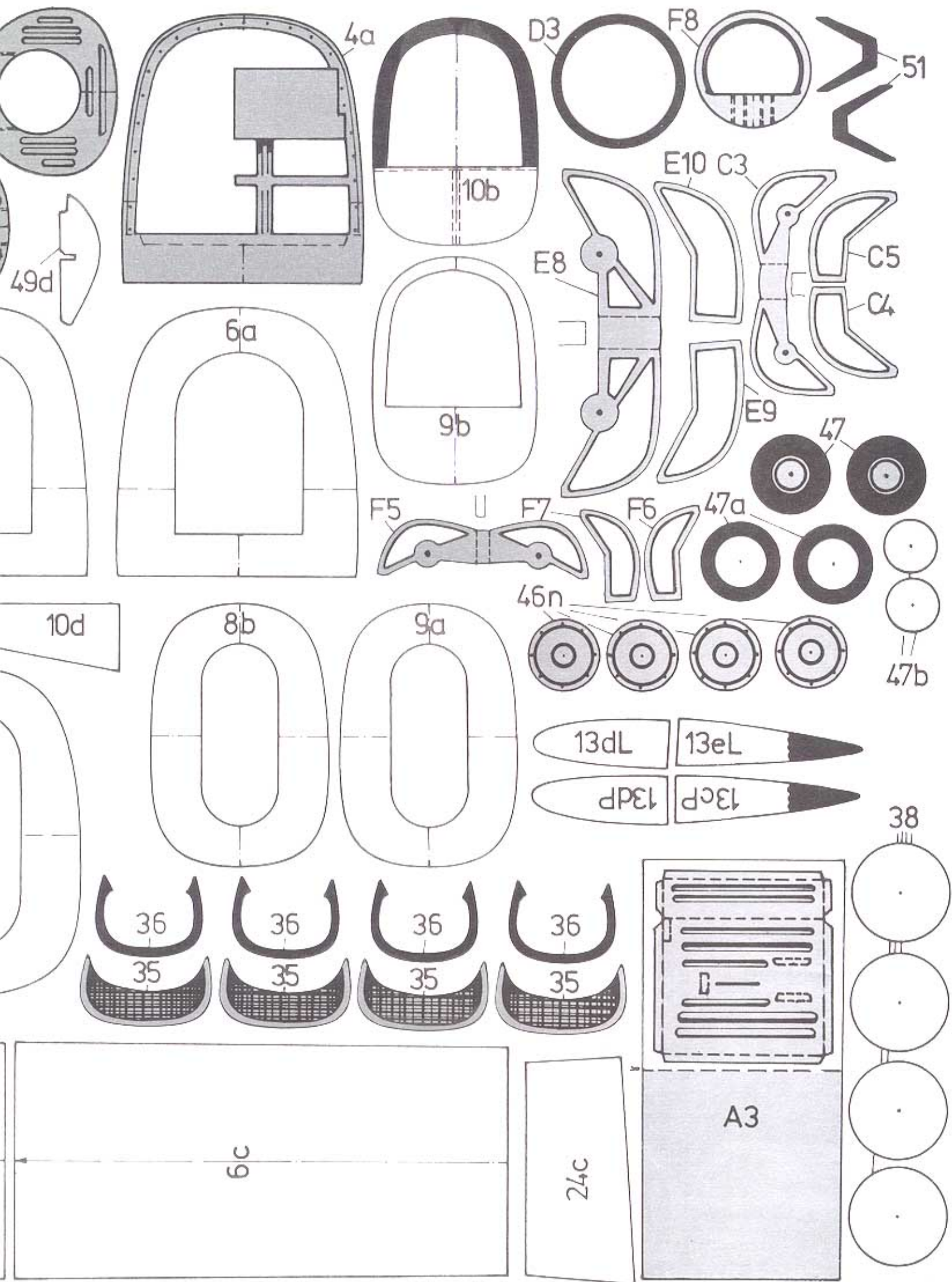
2





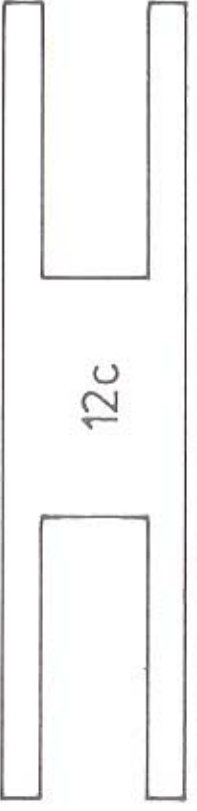
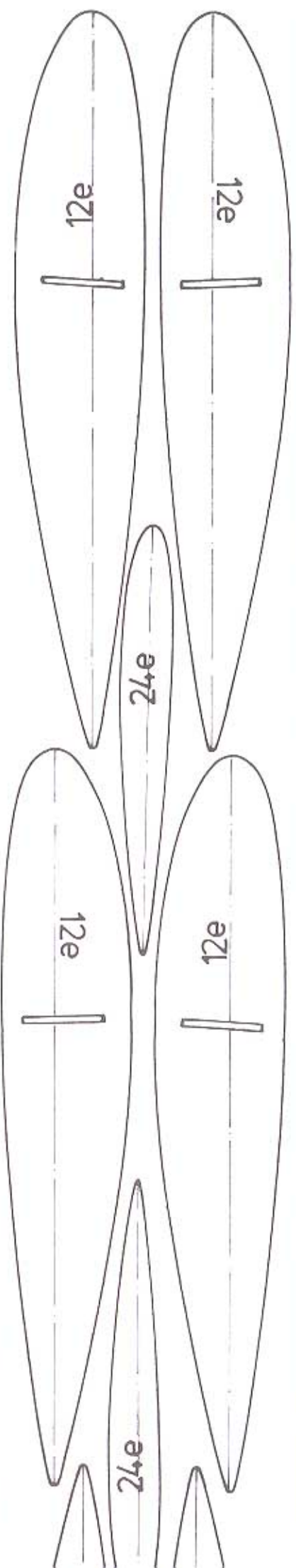
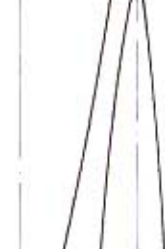
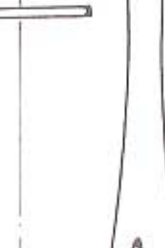
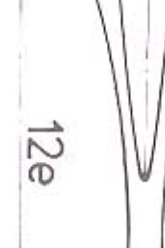
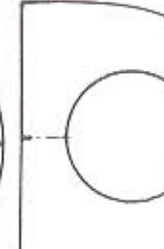
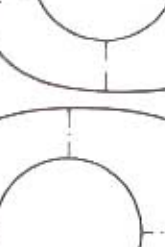
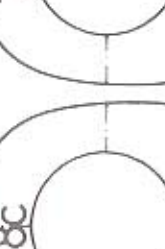
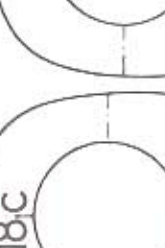
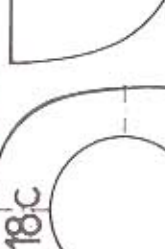
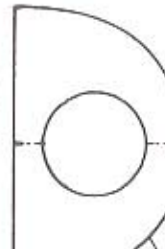
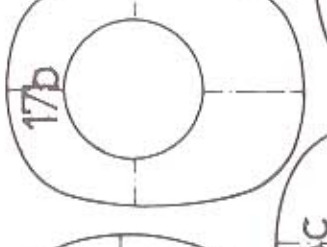
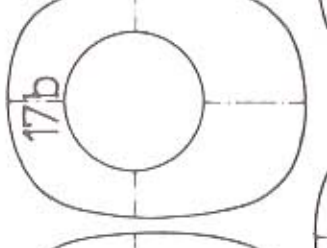
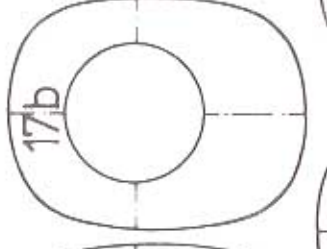
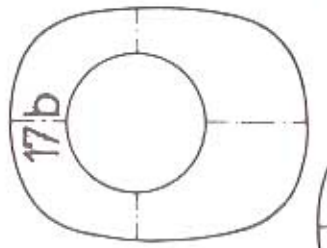
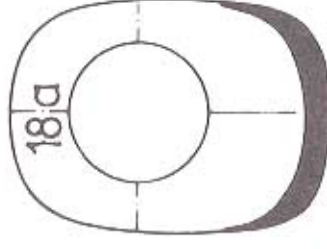
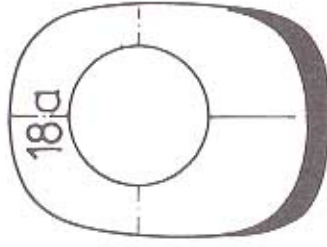
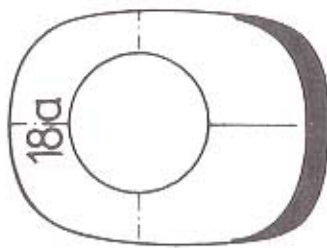
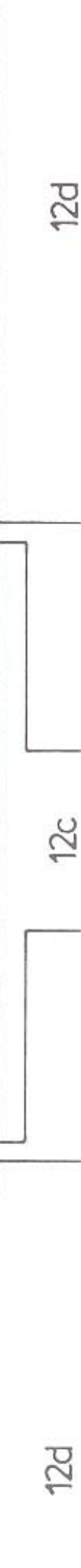
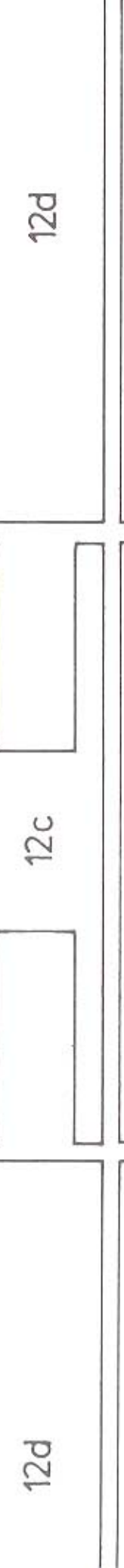
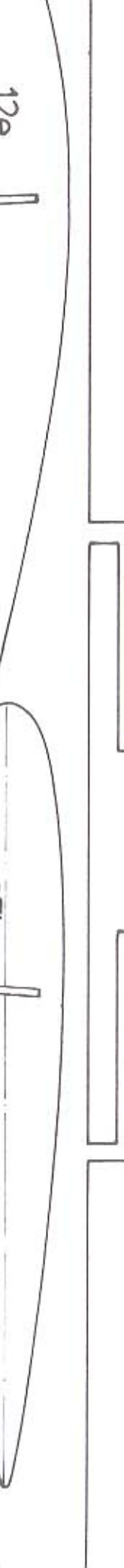
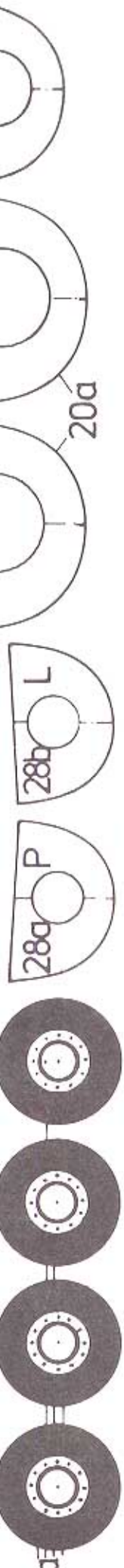
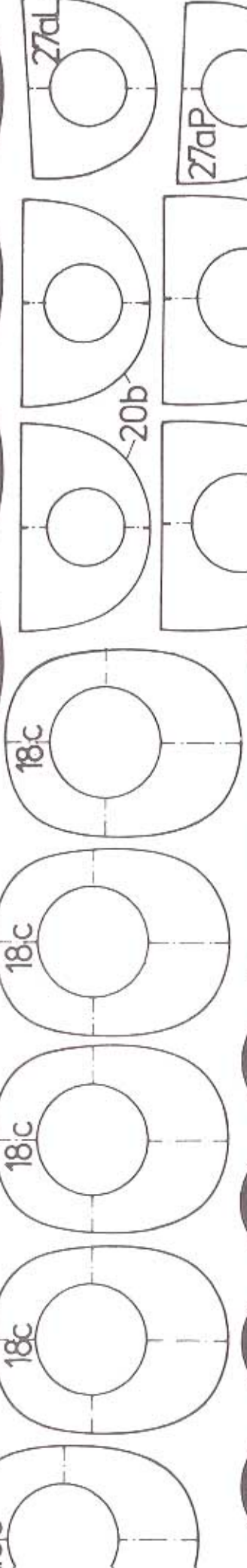
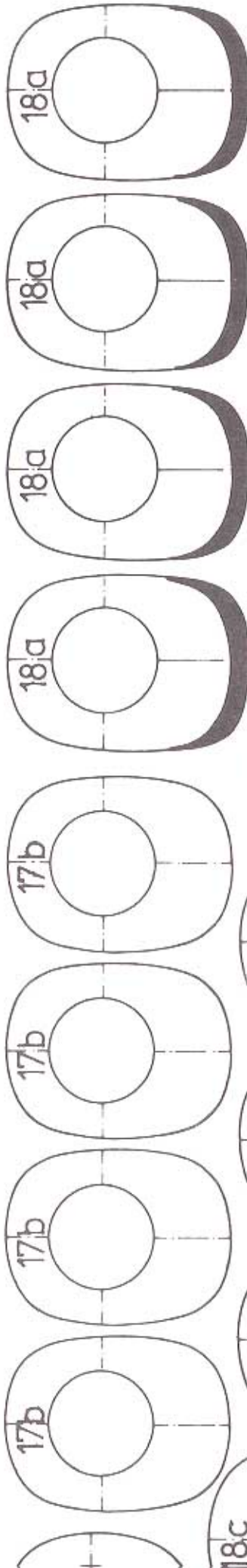




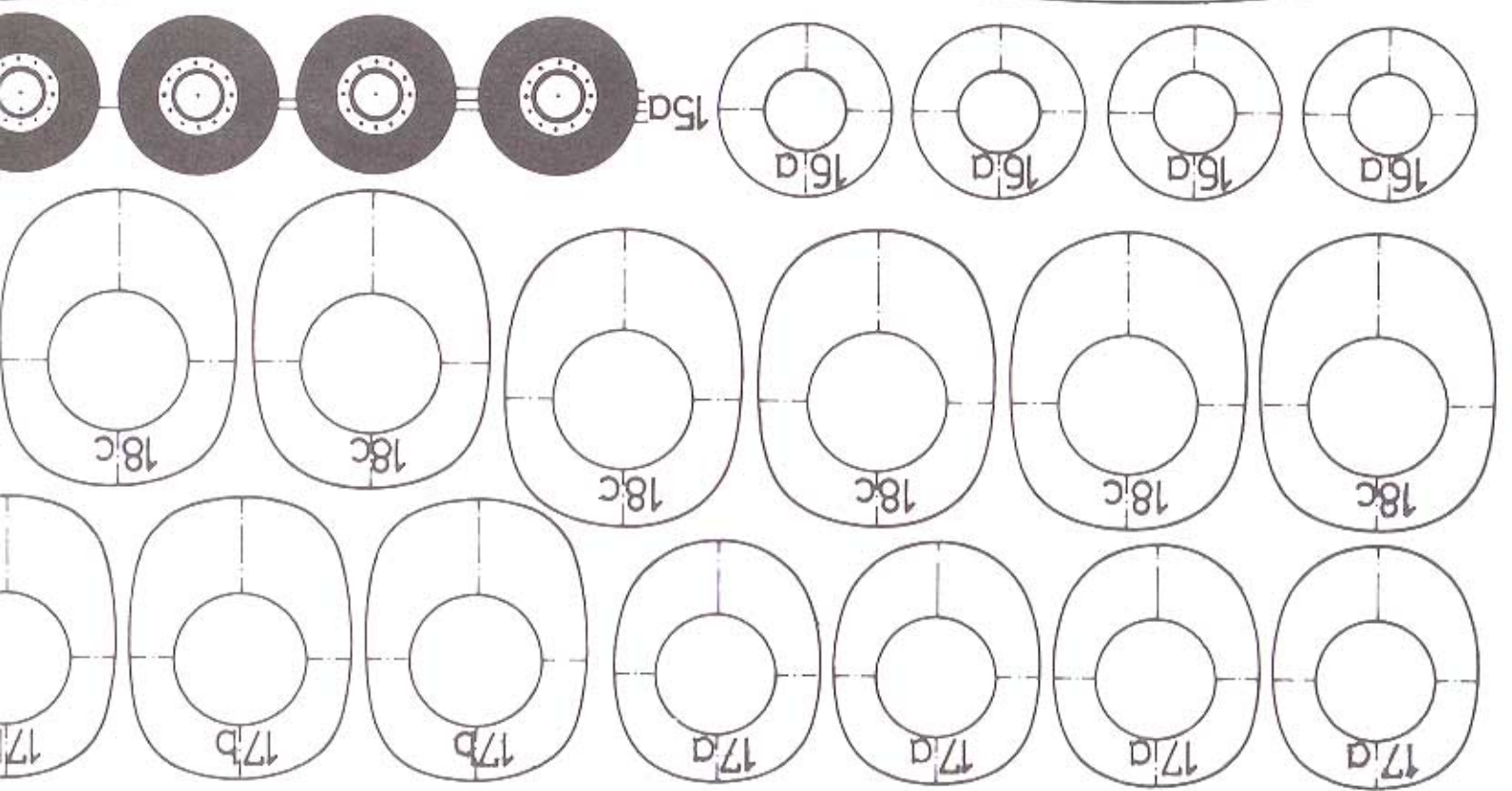
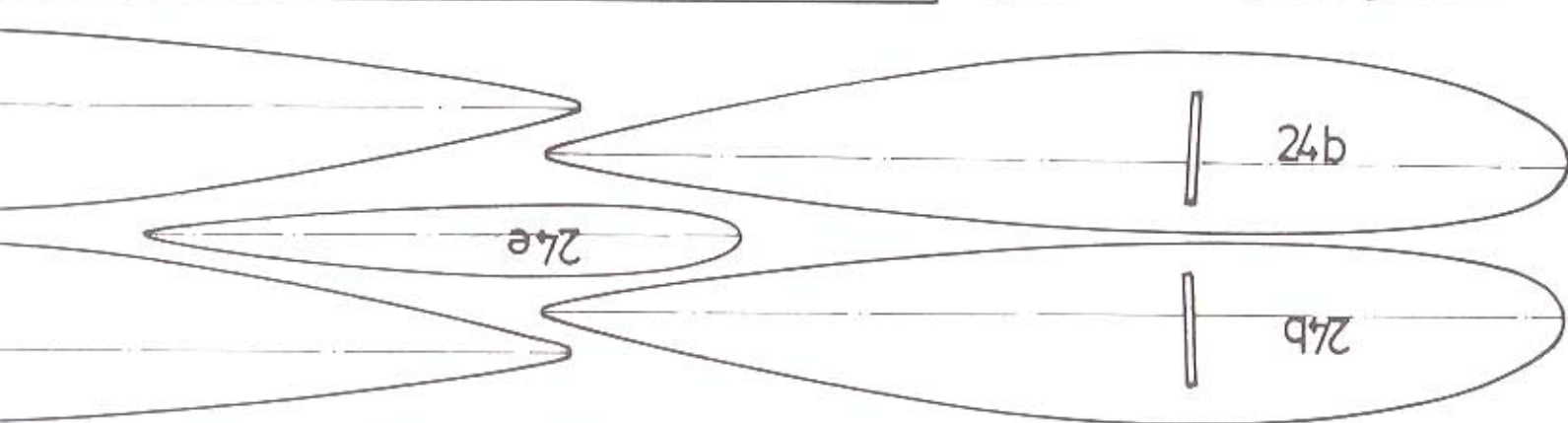
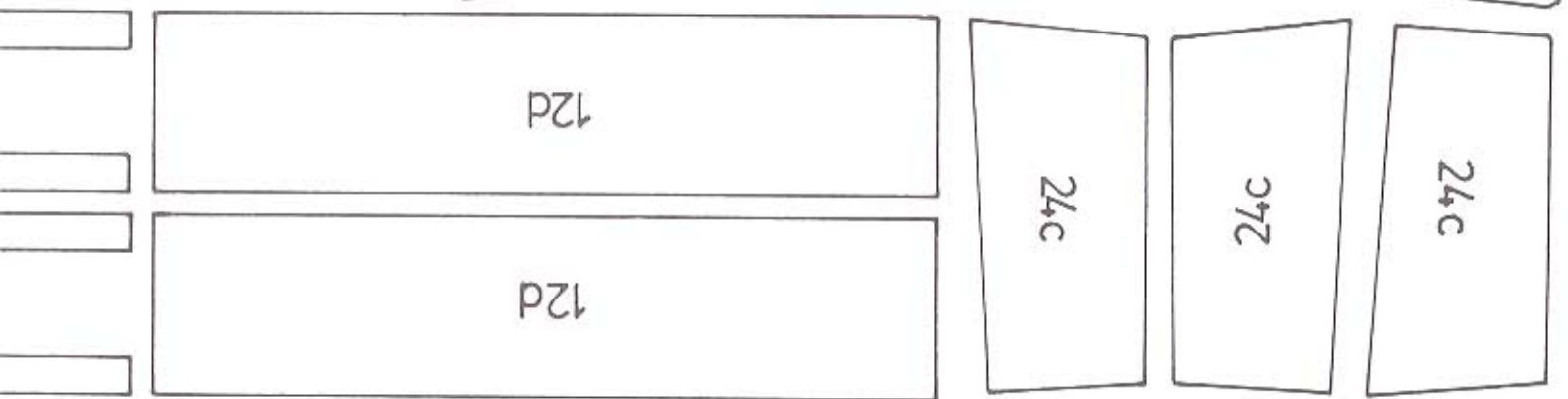
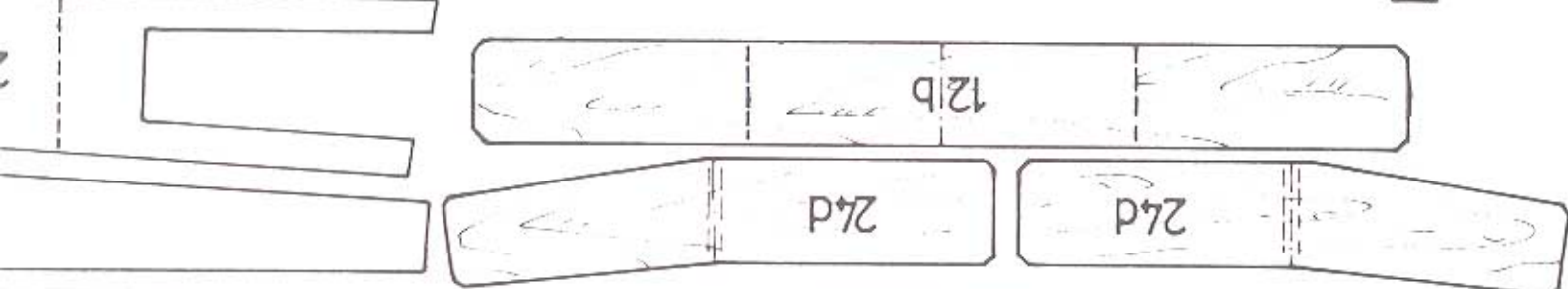
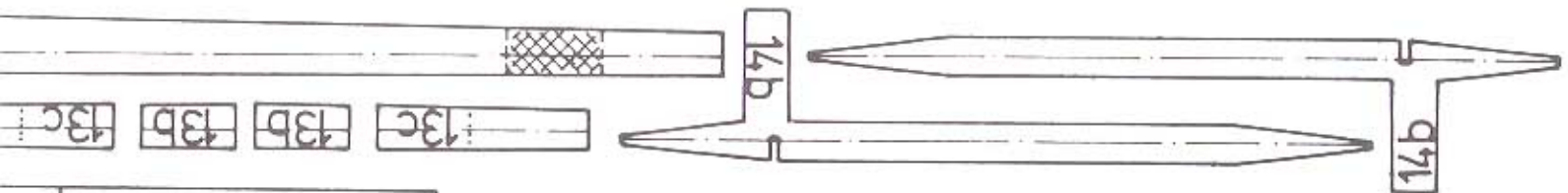














37

14dP

LL807

W

LL807

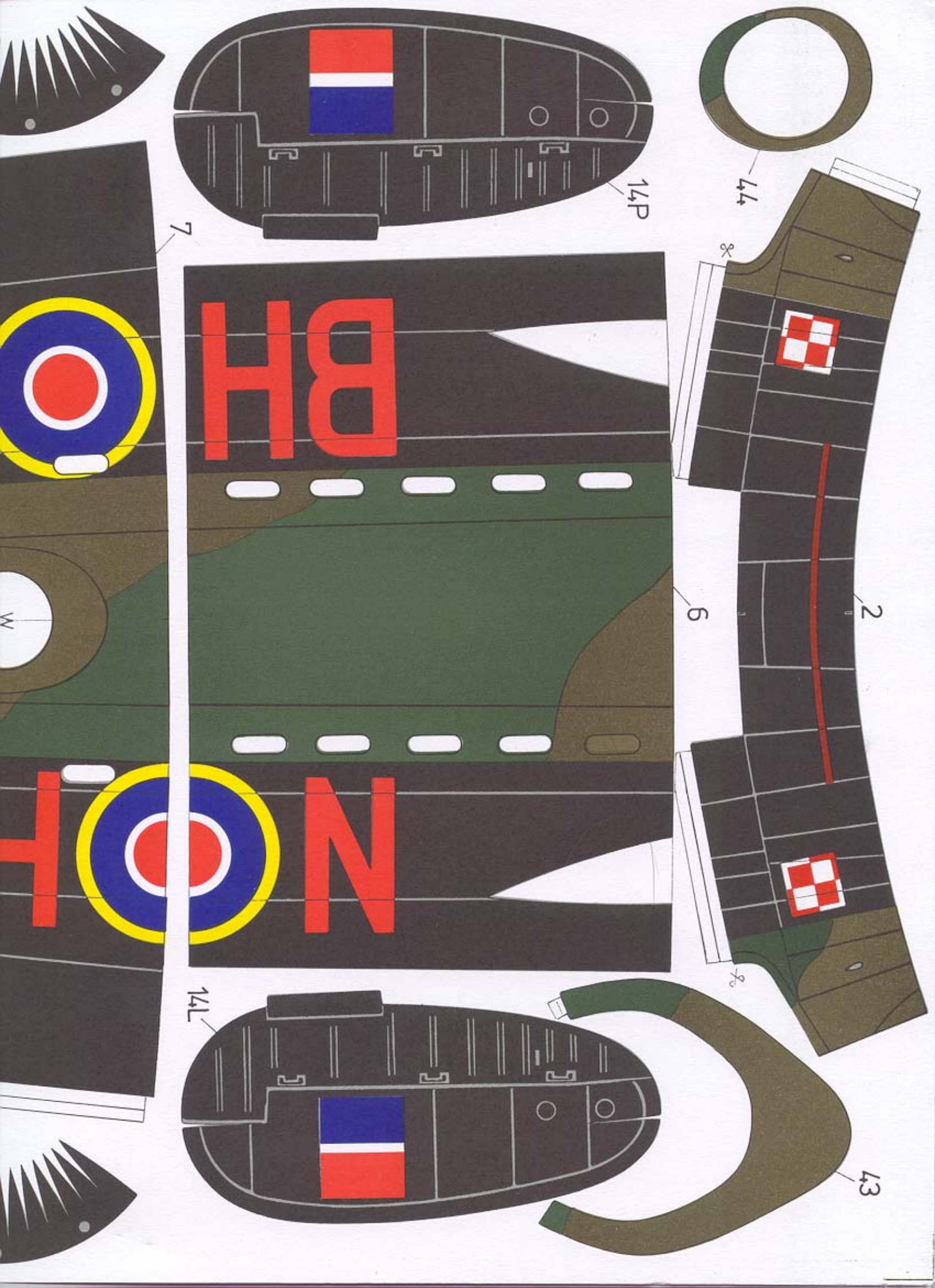
37

8

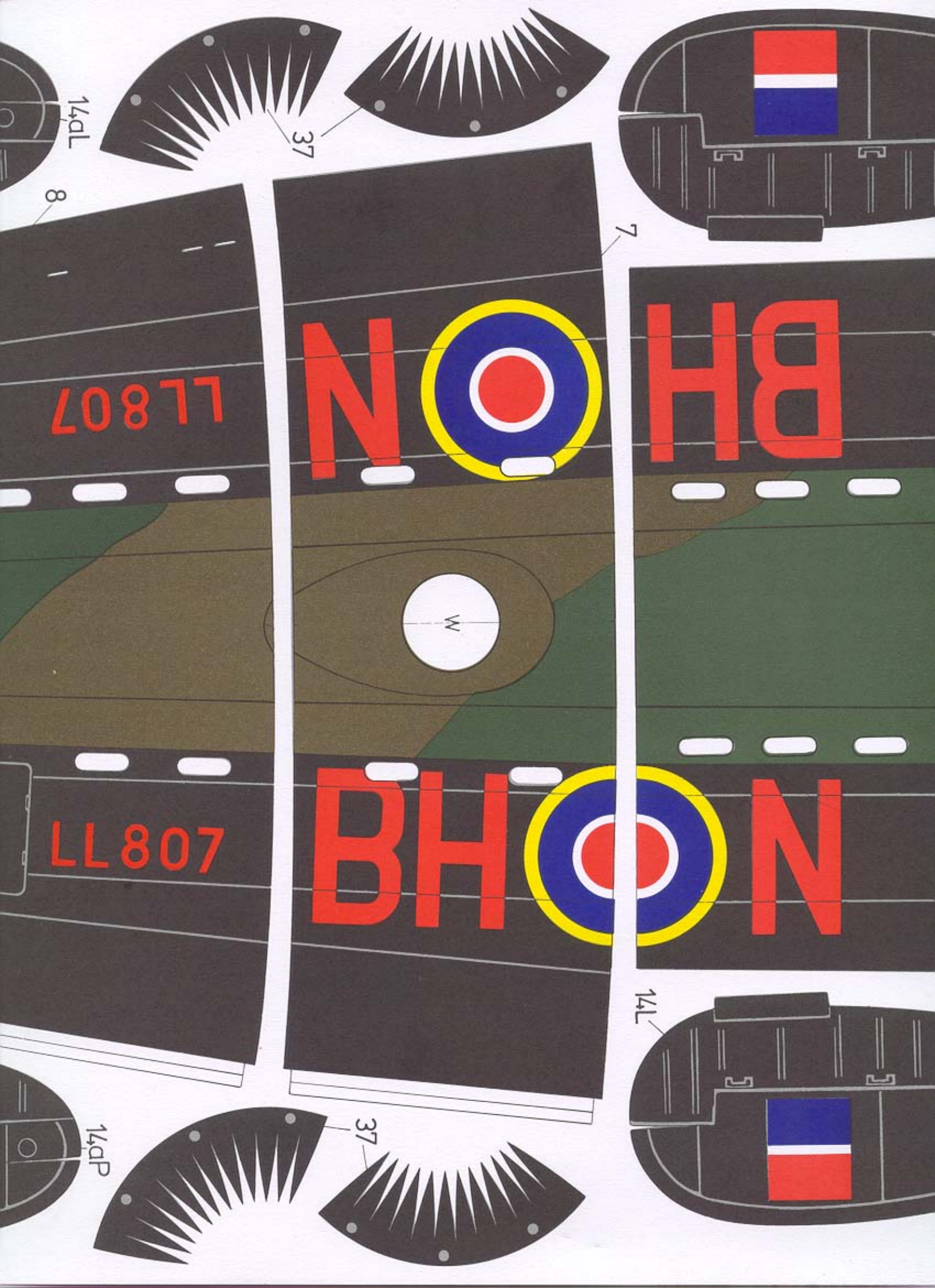
14dL

9









14aL

8

37

7

LL807

BHON

BHON



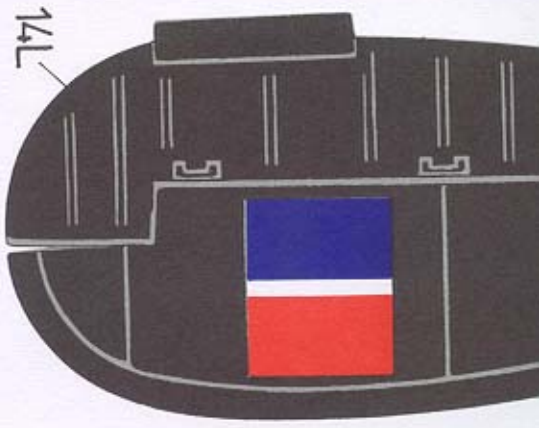
LL807

BHON

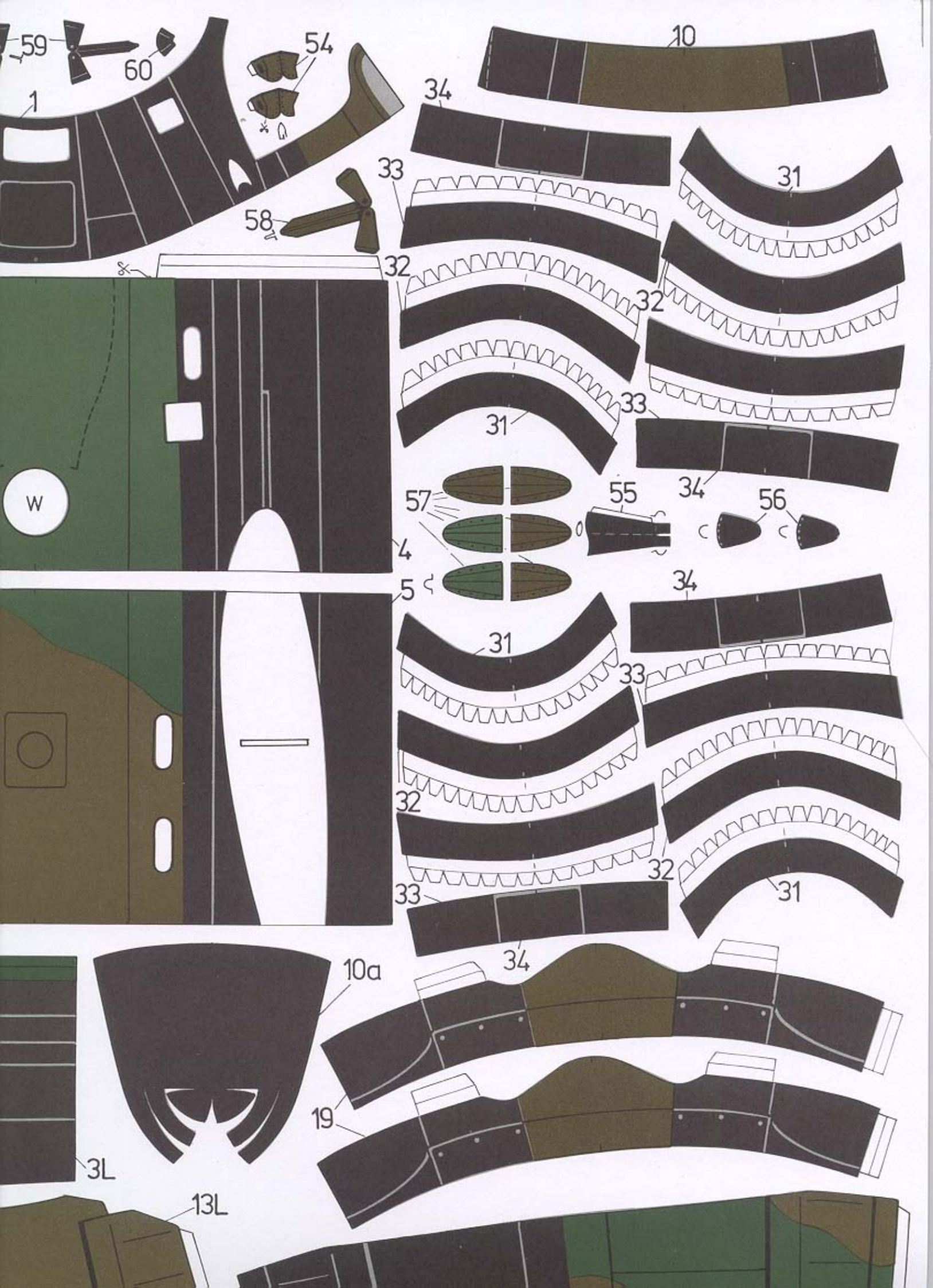
14L

14aP

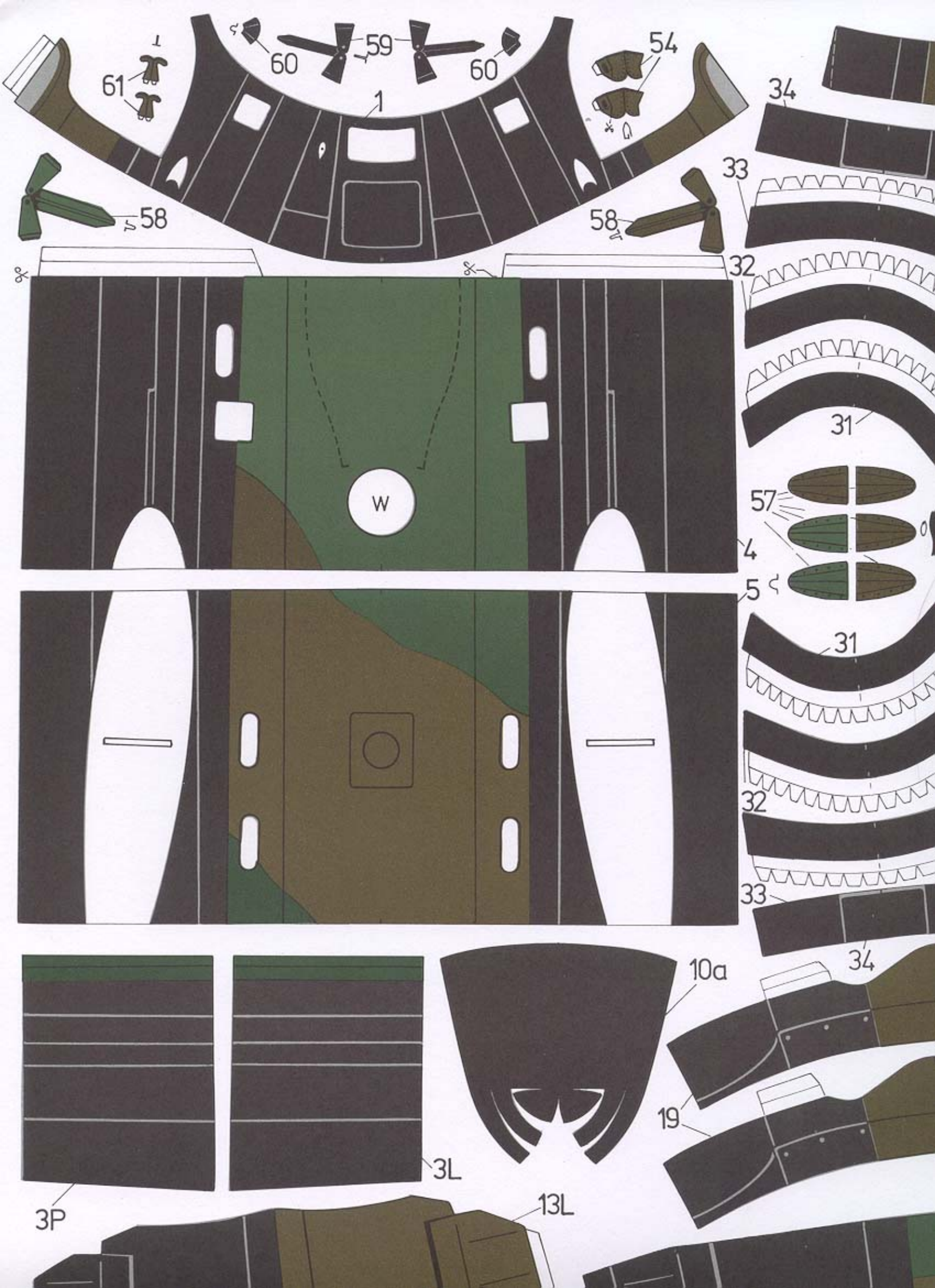
37



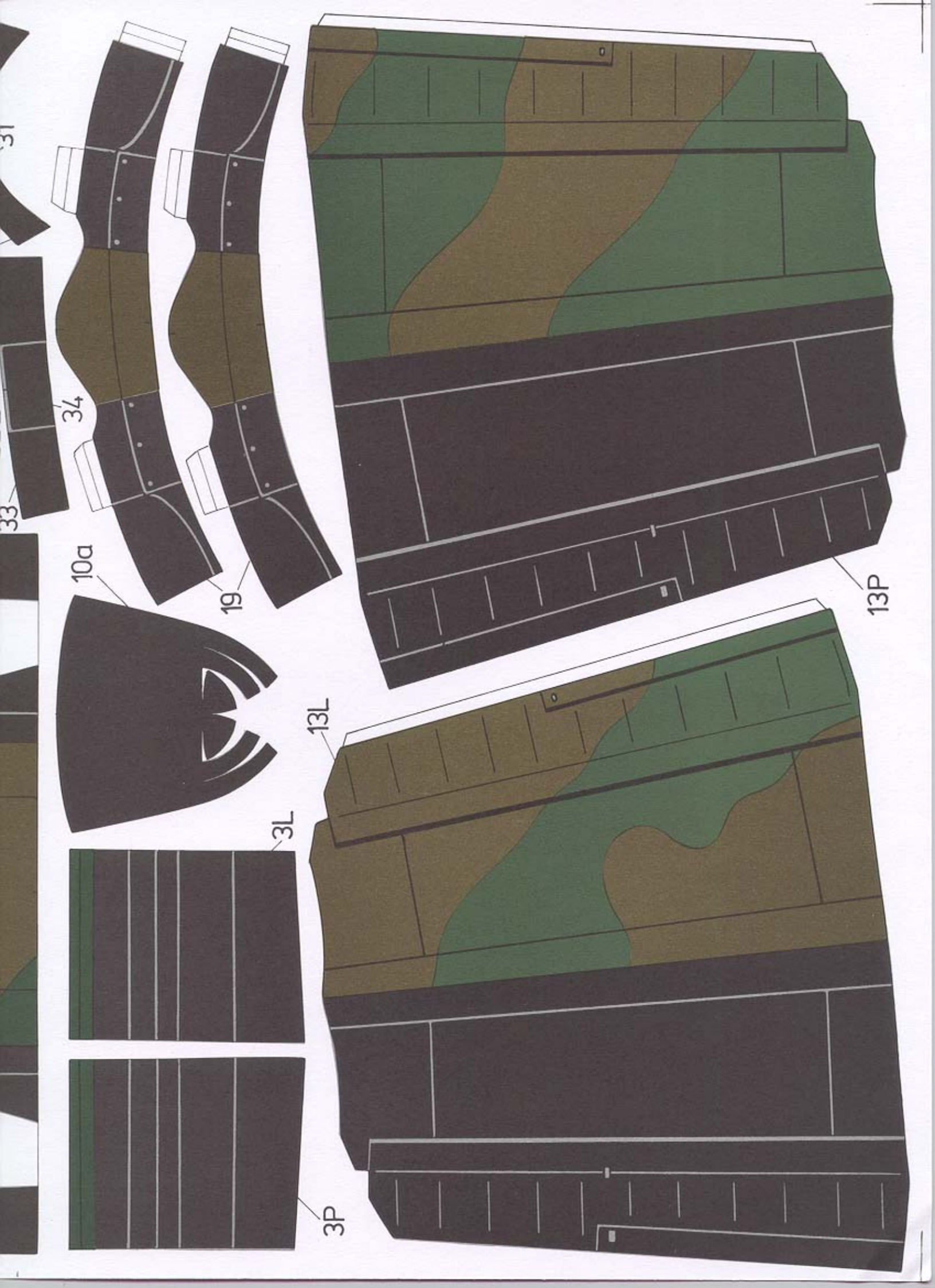












31

33

10a

34

19

3L

13L

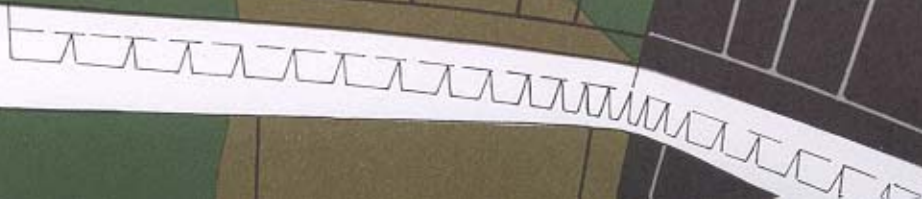
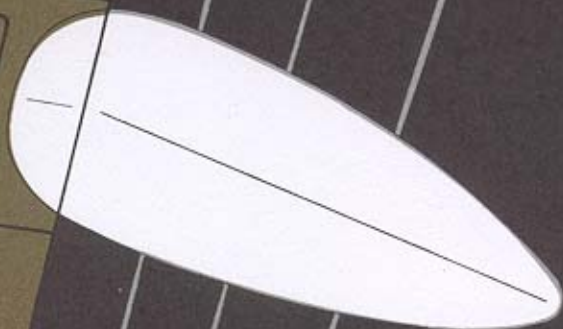
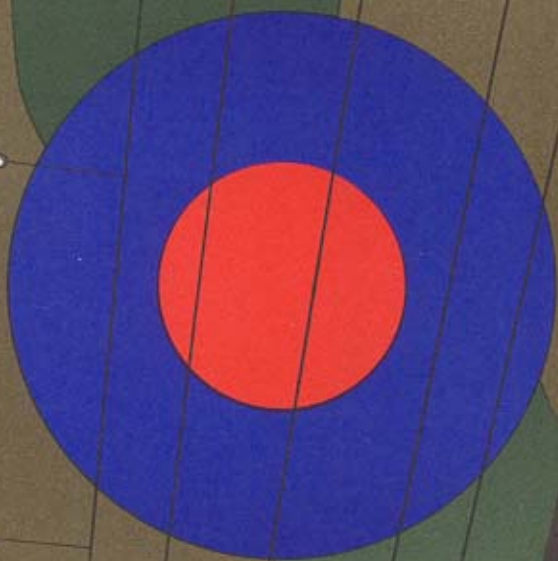
3P

13P

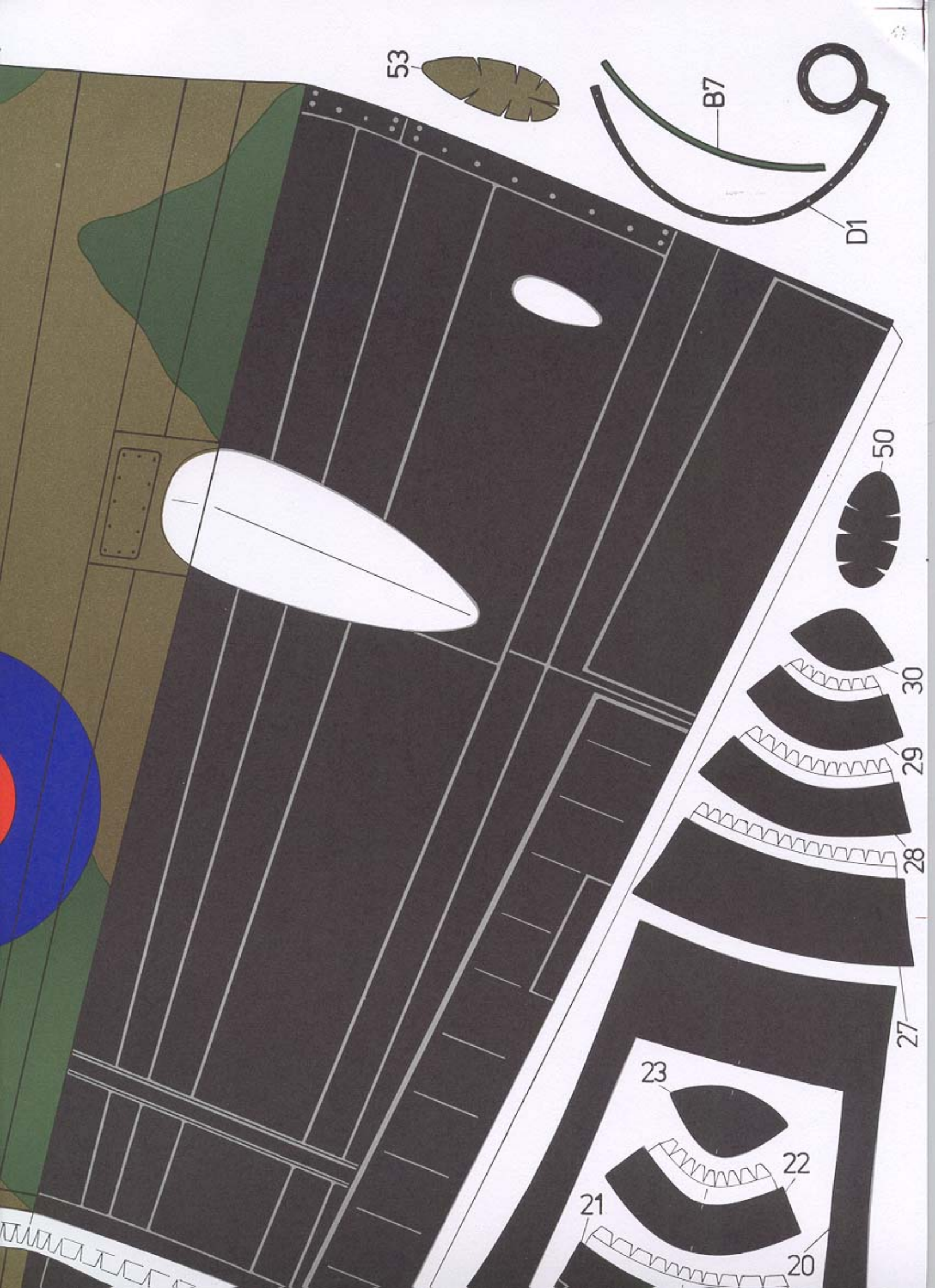


24L

53







53



B7



D1

50



30



29



28



27



23



22

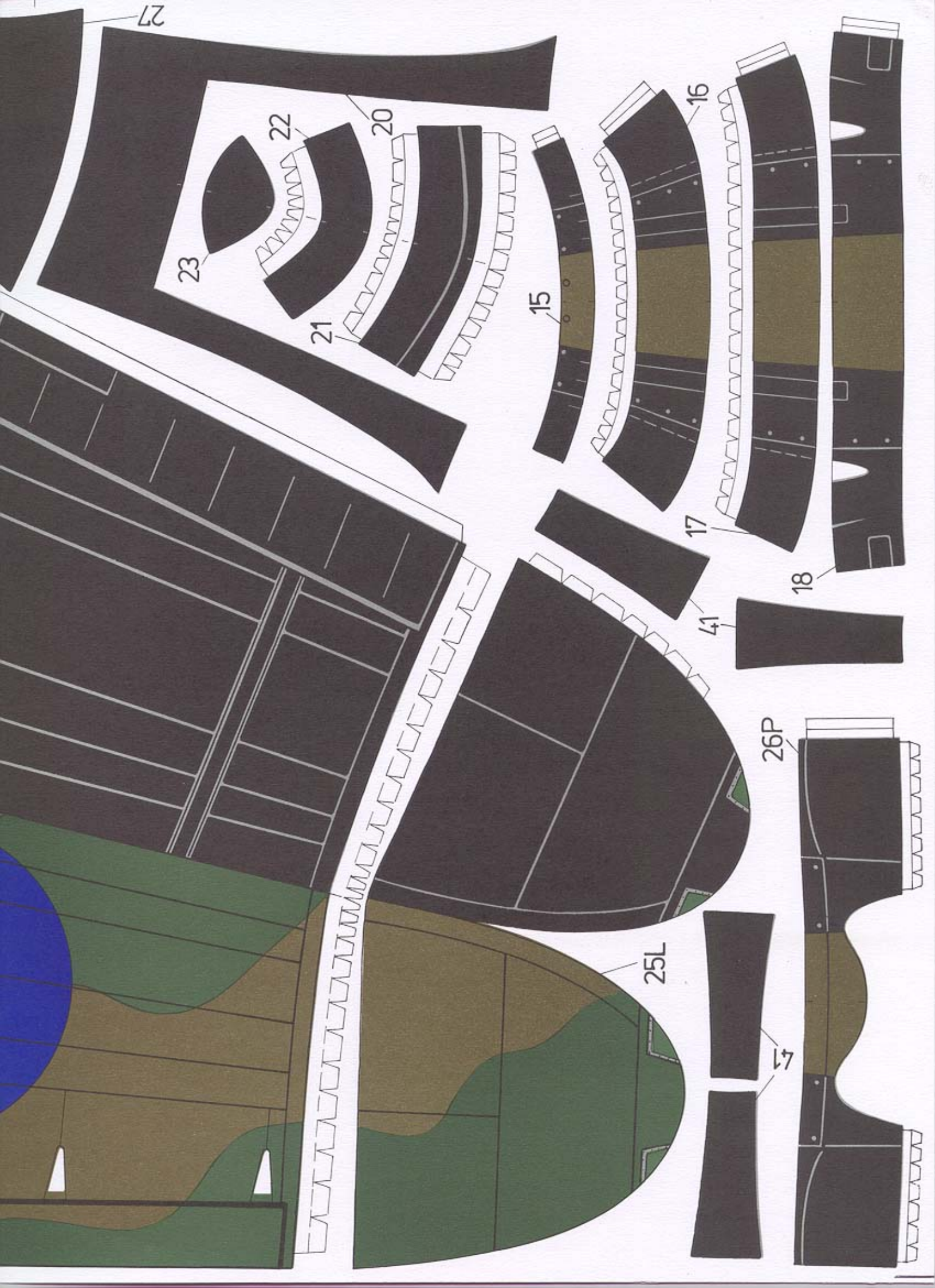


21

20







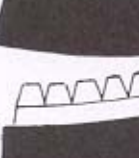
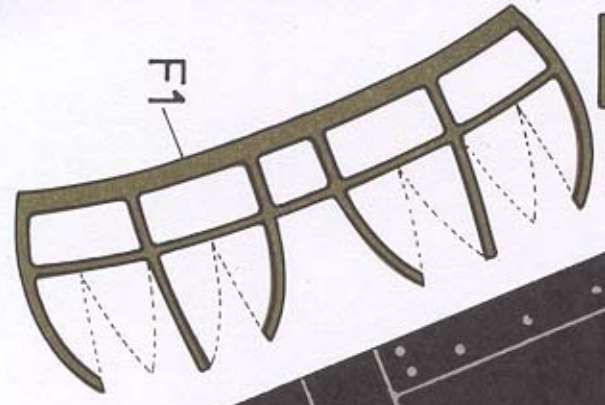
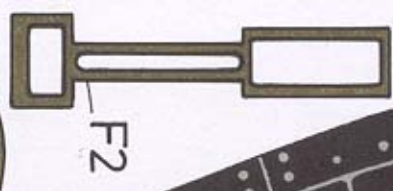


24P

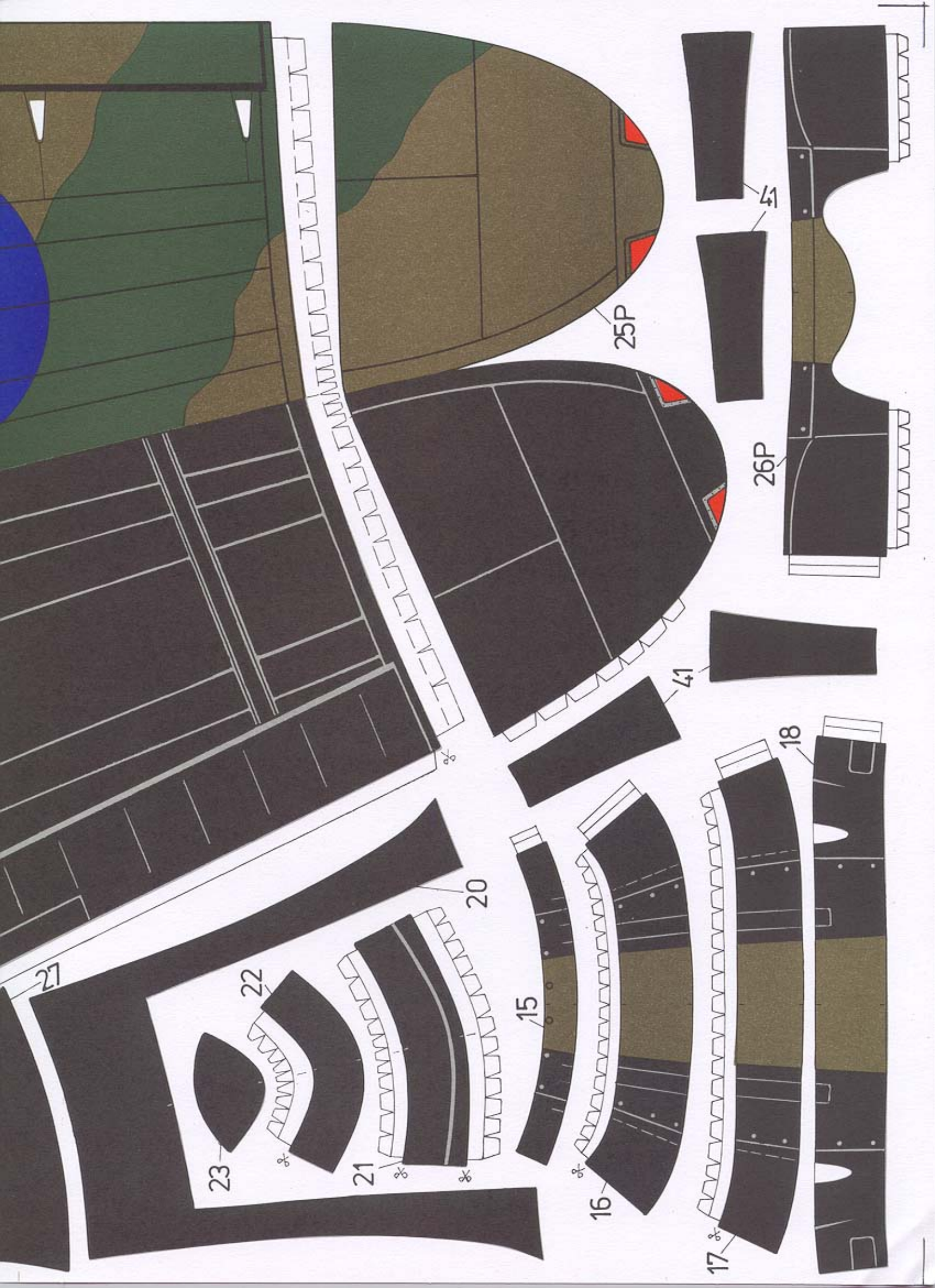
F2











27

23

22

21

20

25P

26P

15

16

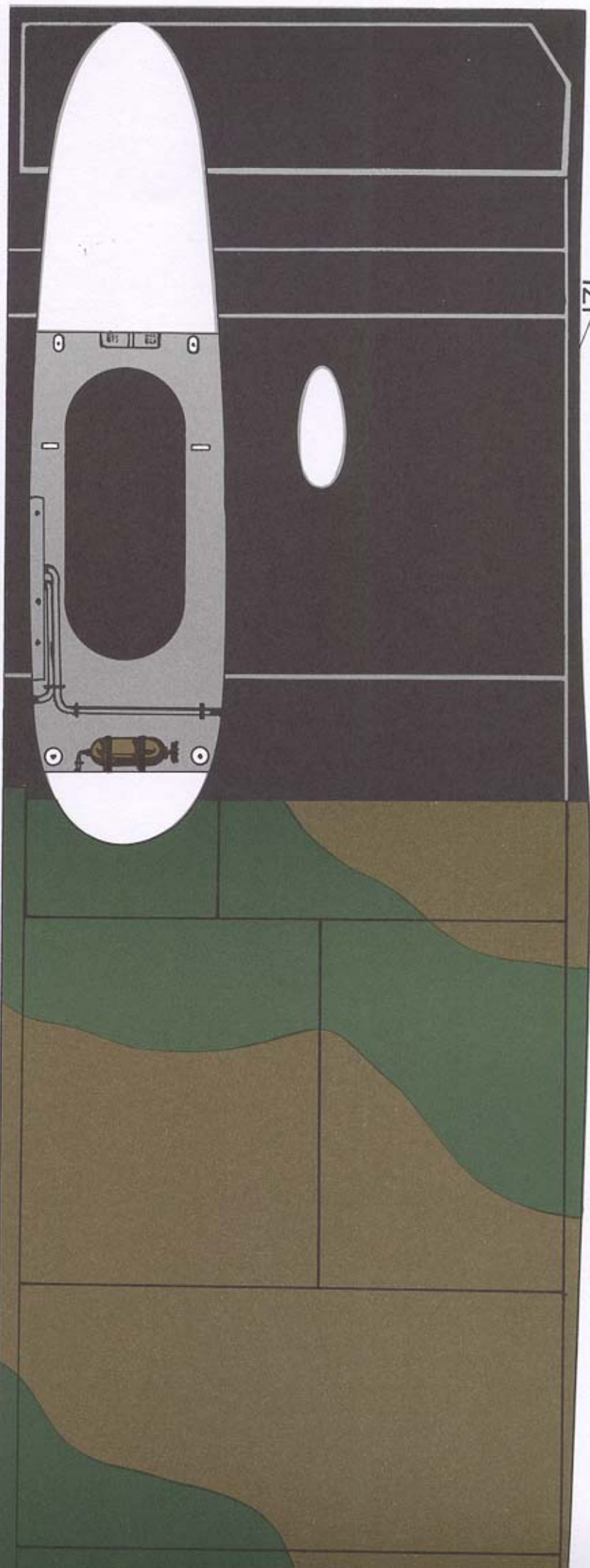
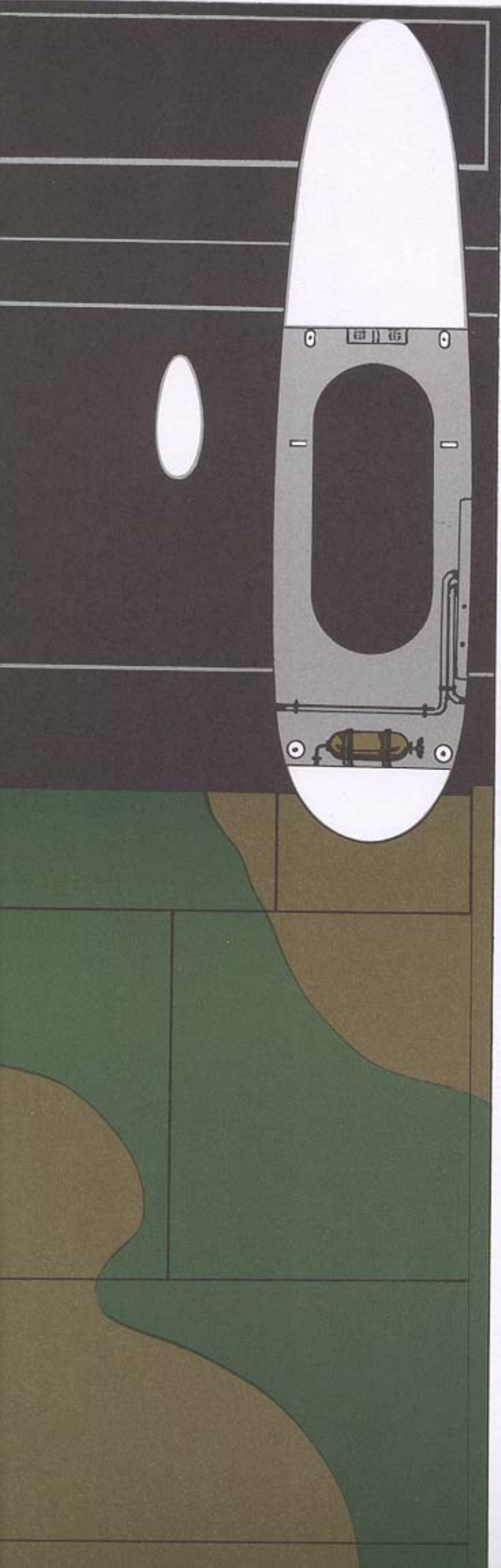
17

18

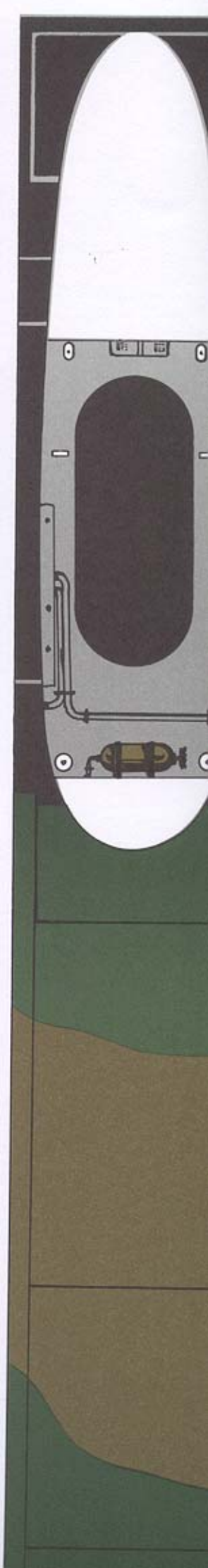
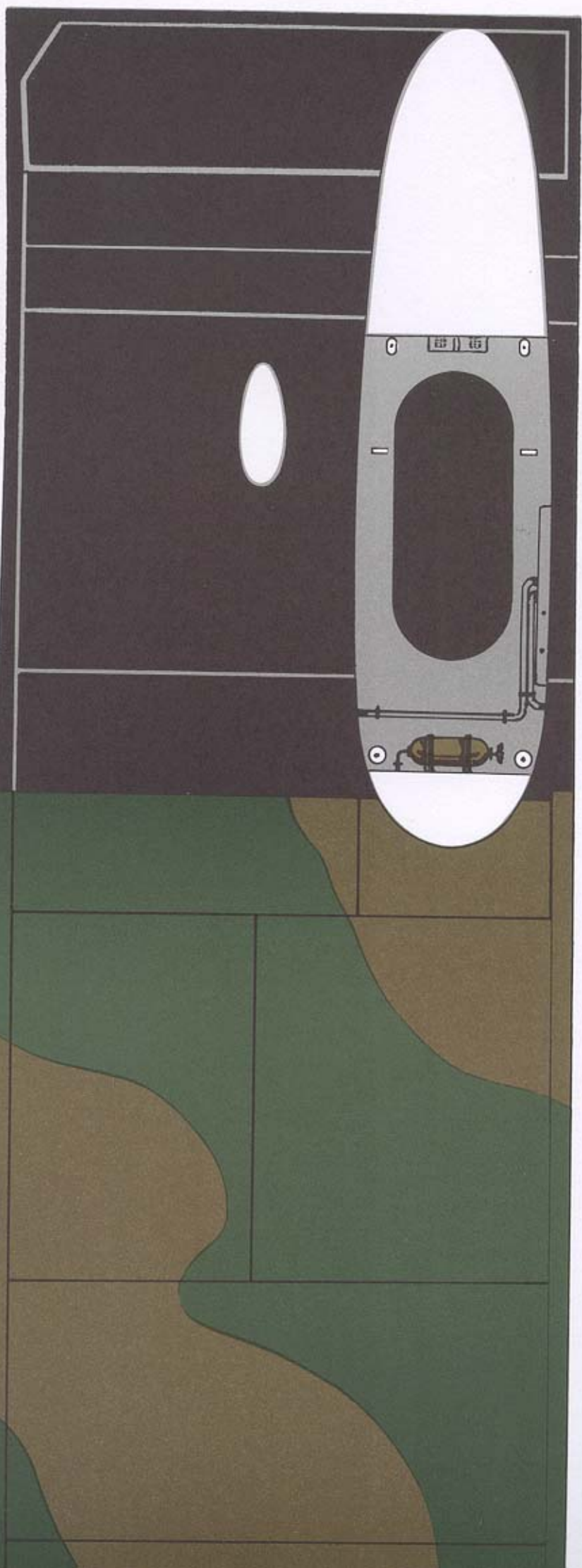
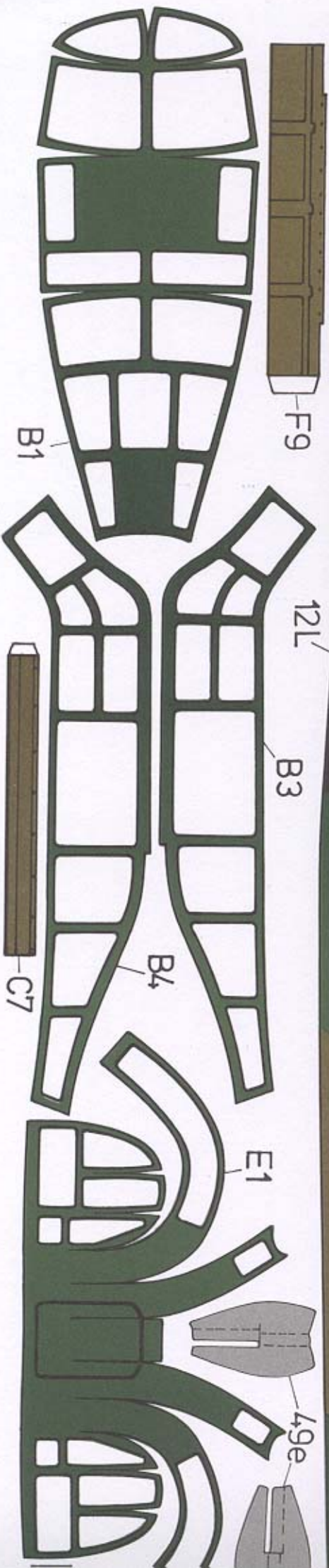
41

42













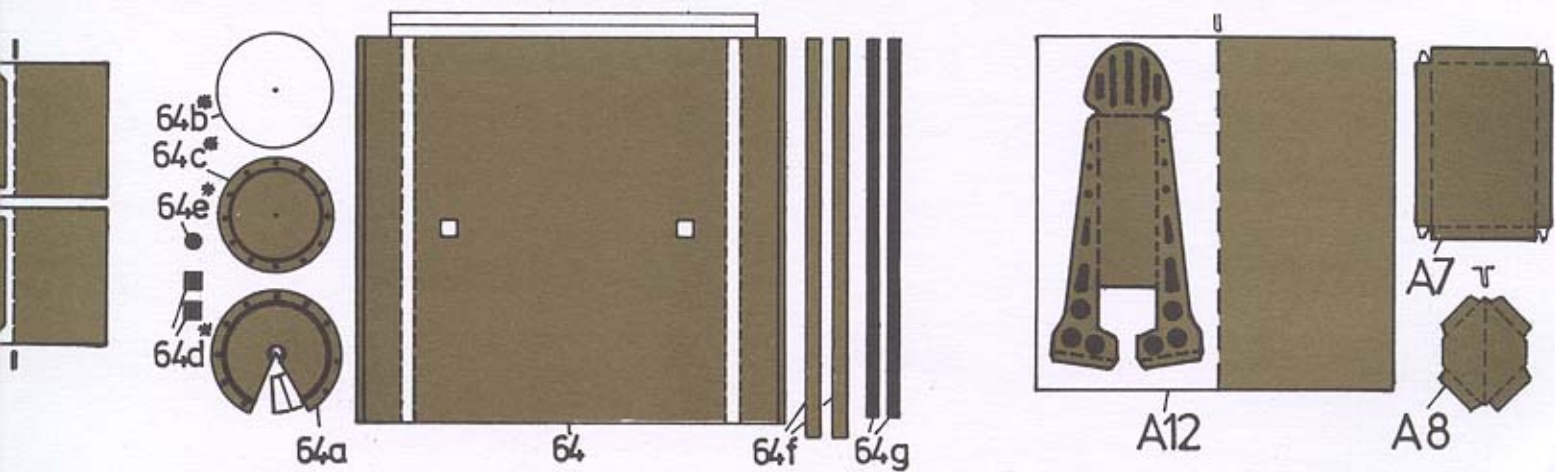
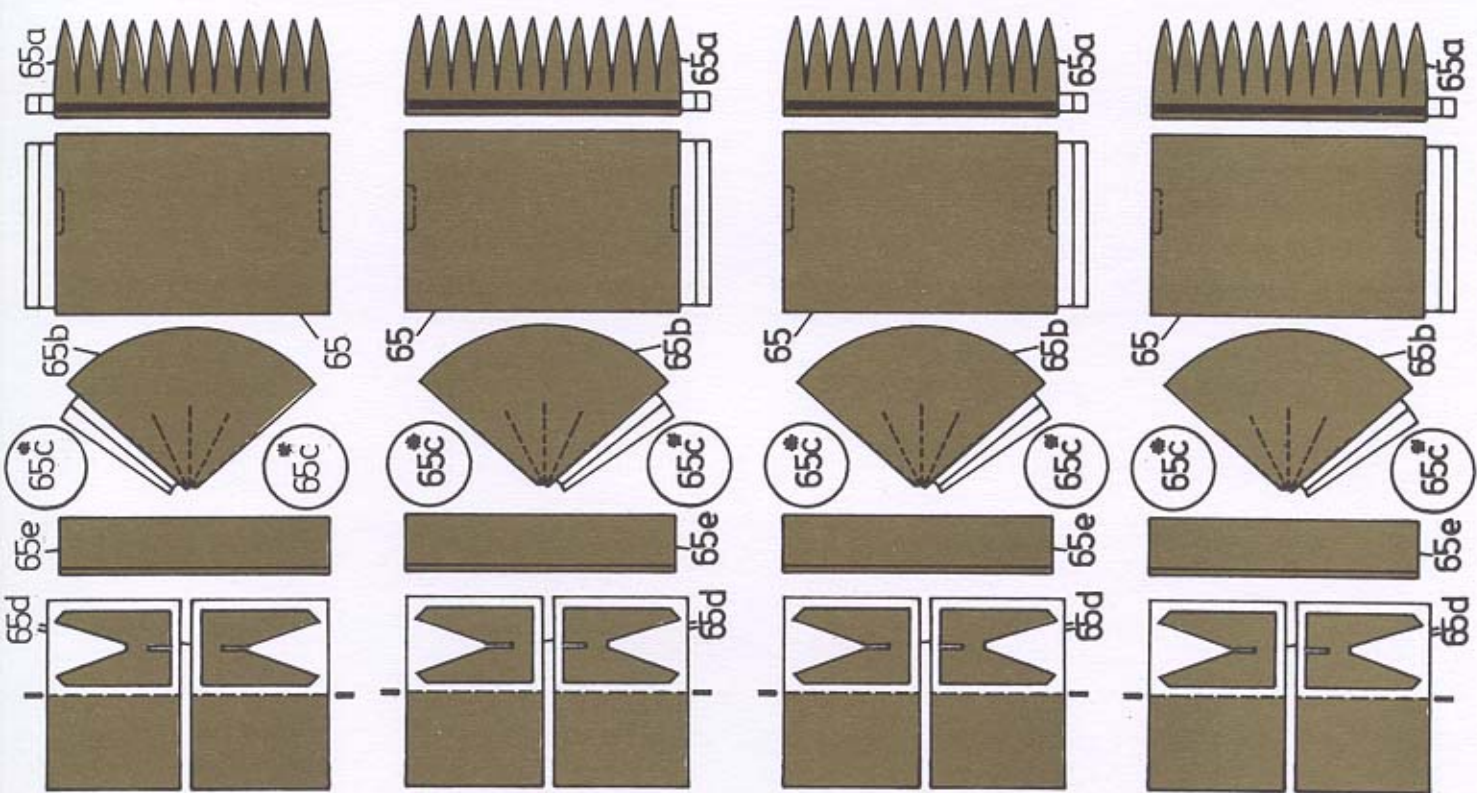
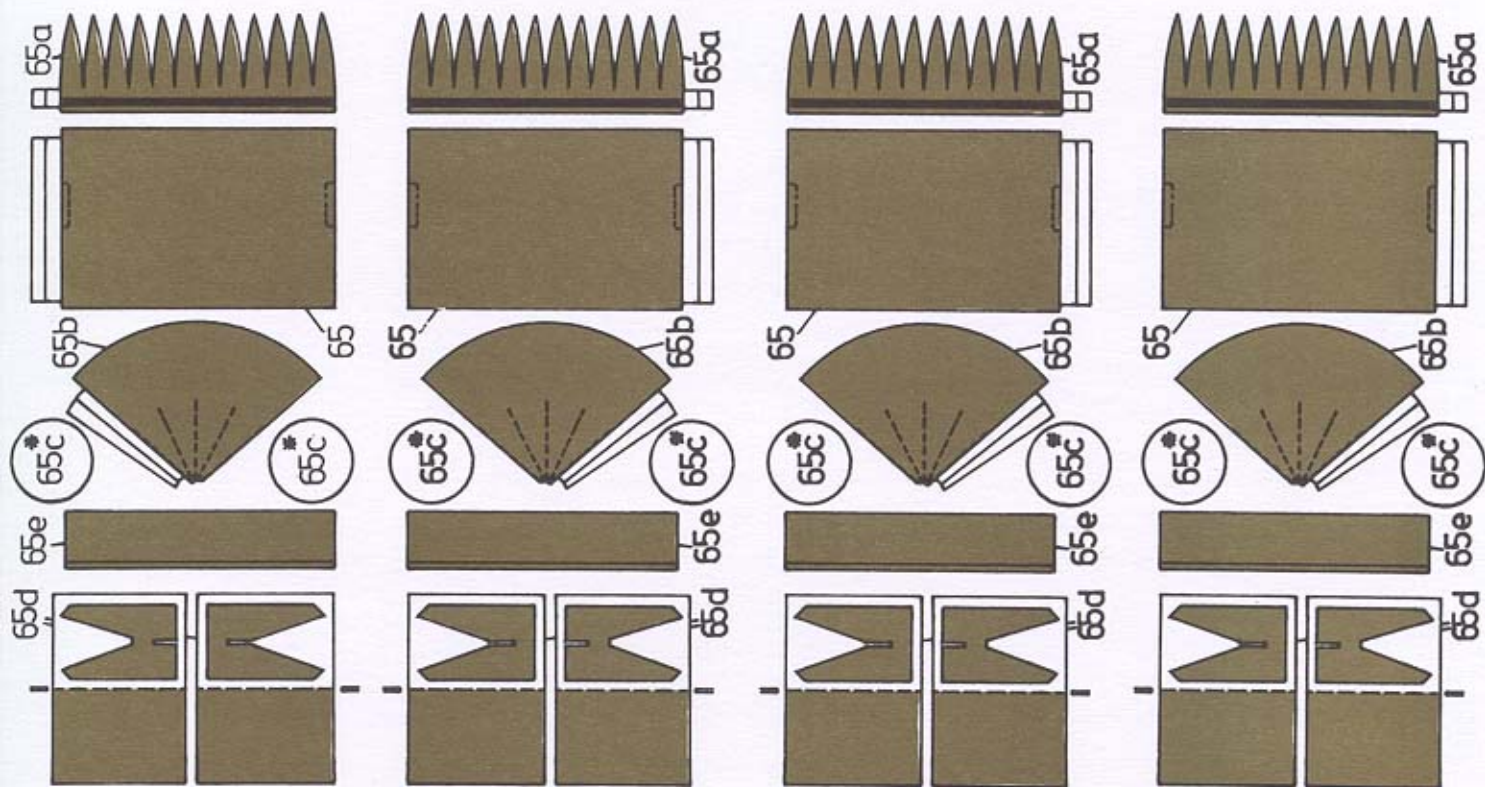










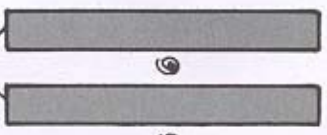




A14\*



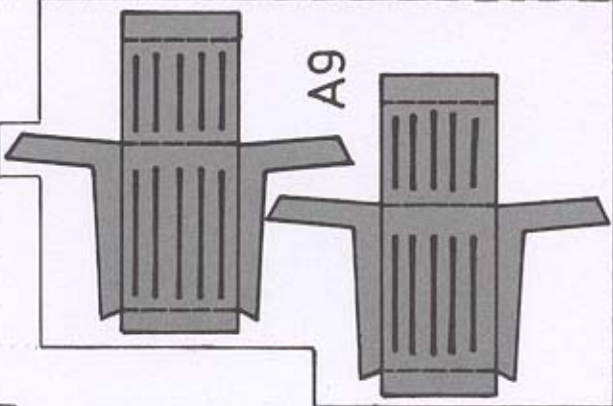
A10



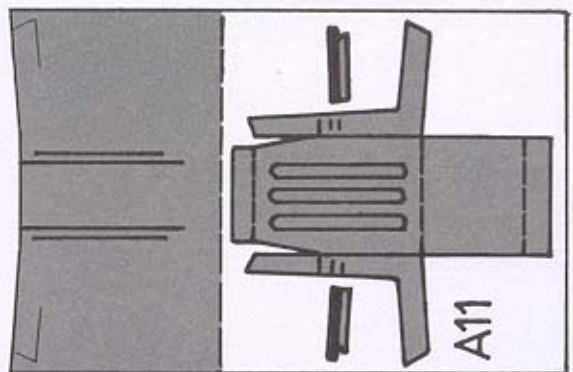
A13



A9



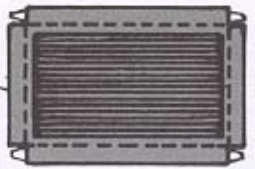
A11



A15\*



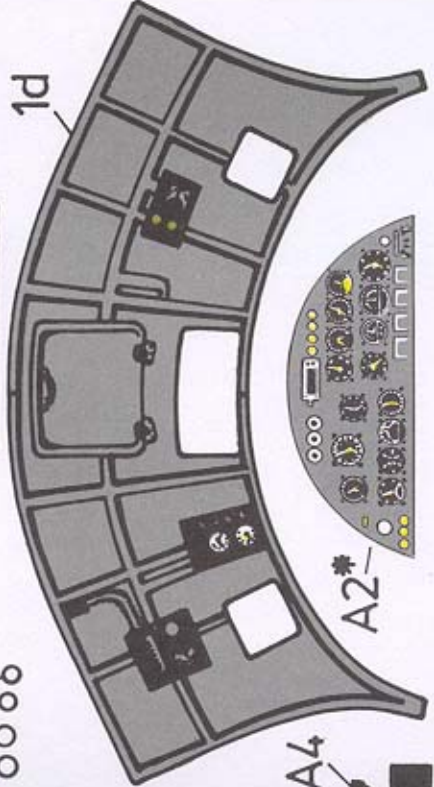
A6



A5

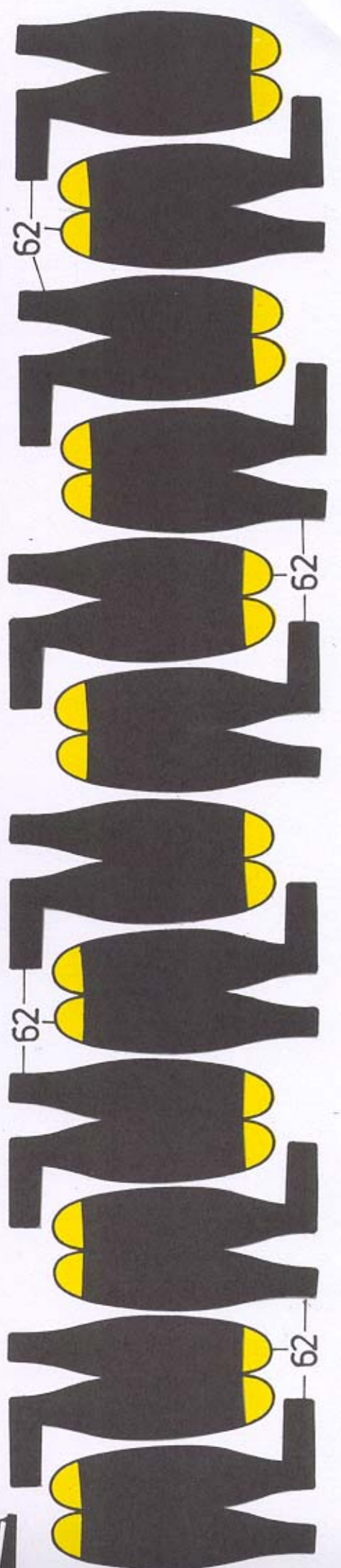


1d



A2\*

A4



62

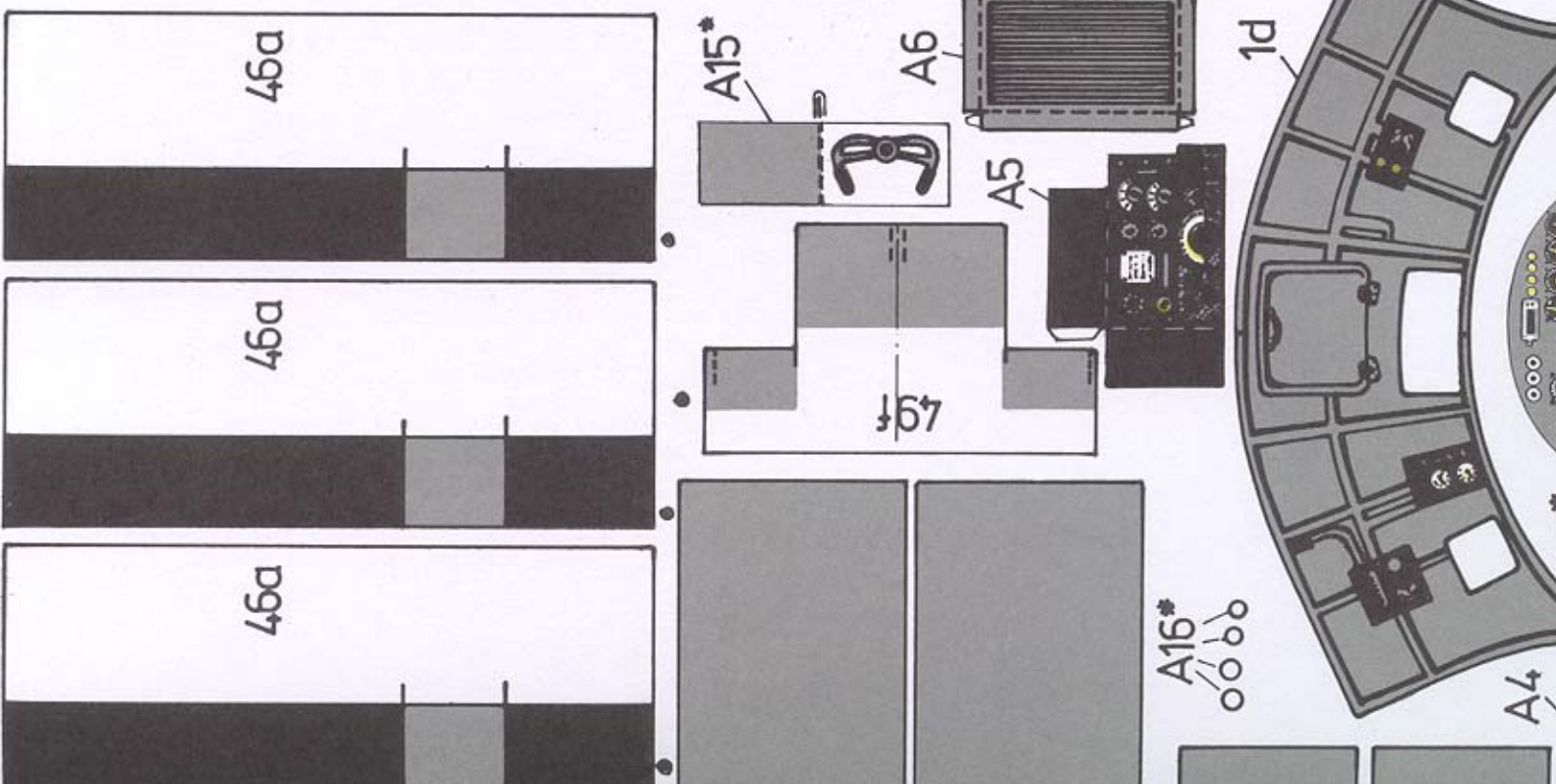
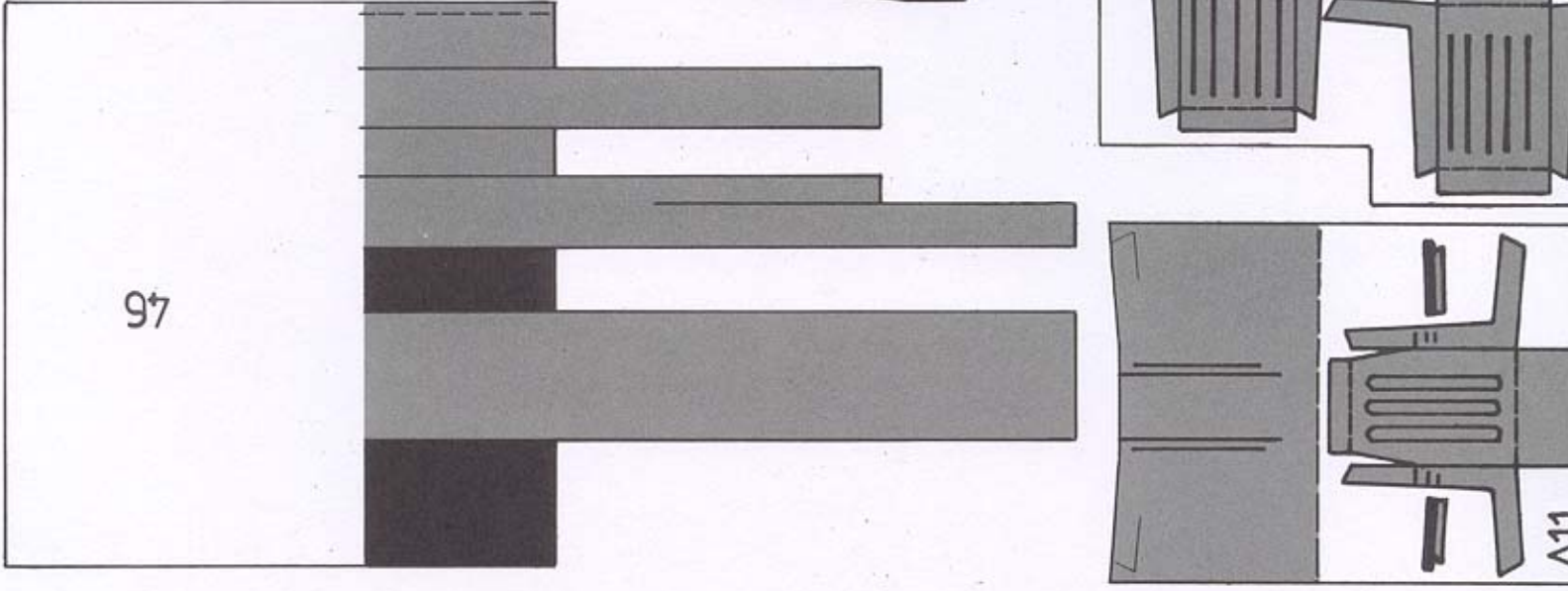
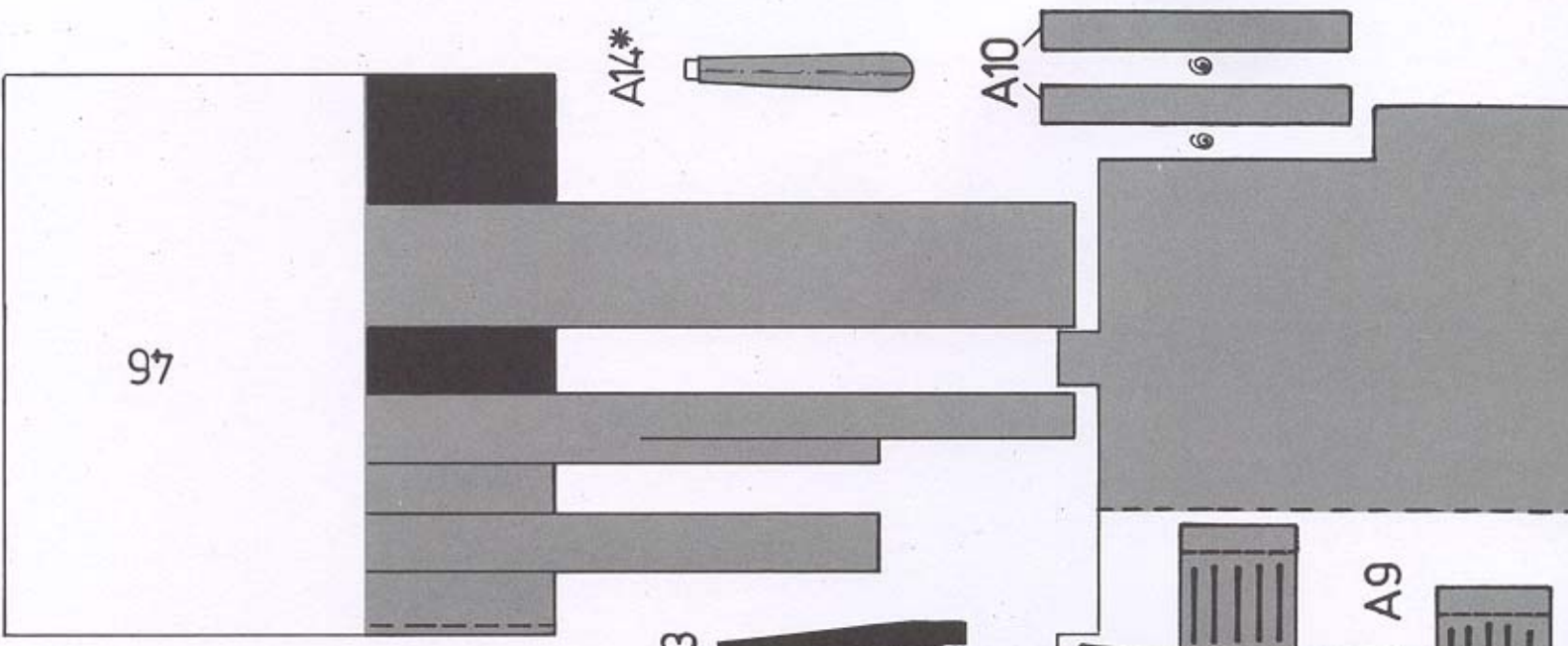
62

62

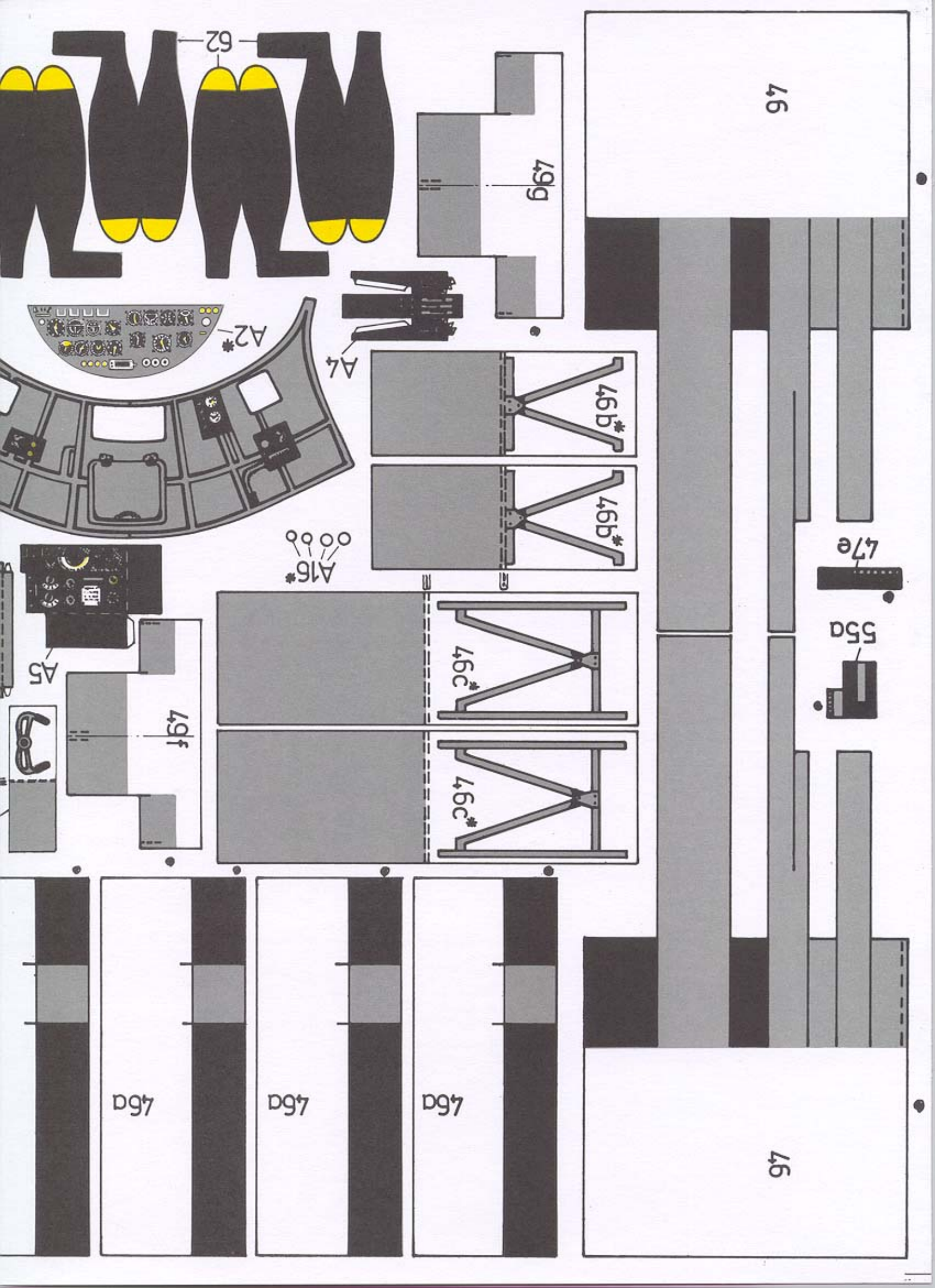
62

67









46

46

46g

46b\*

46b\*

46c\*

46c\*

47e

55a

62

A2\*

A4

A16\*

A5

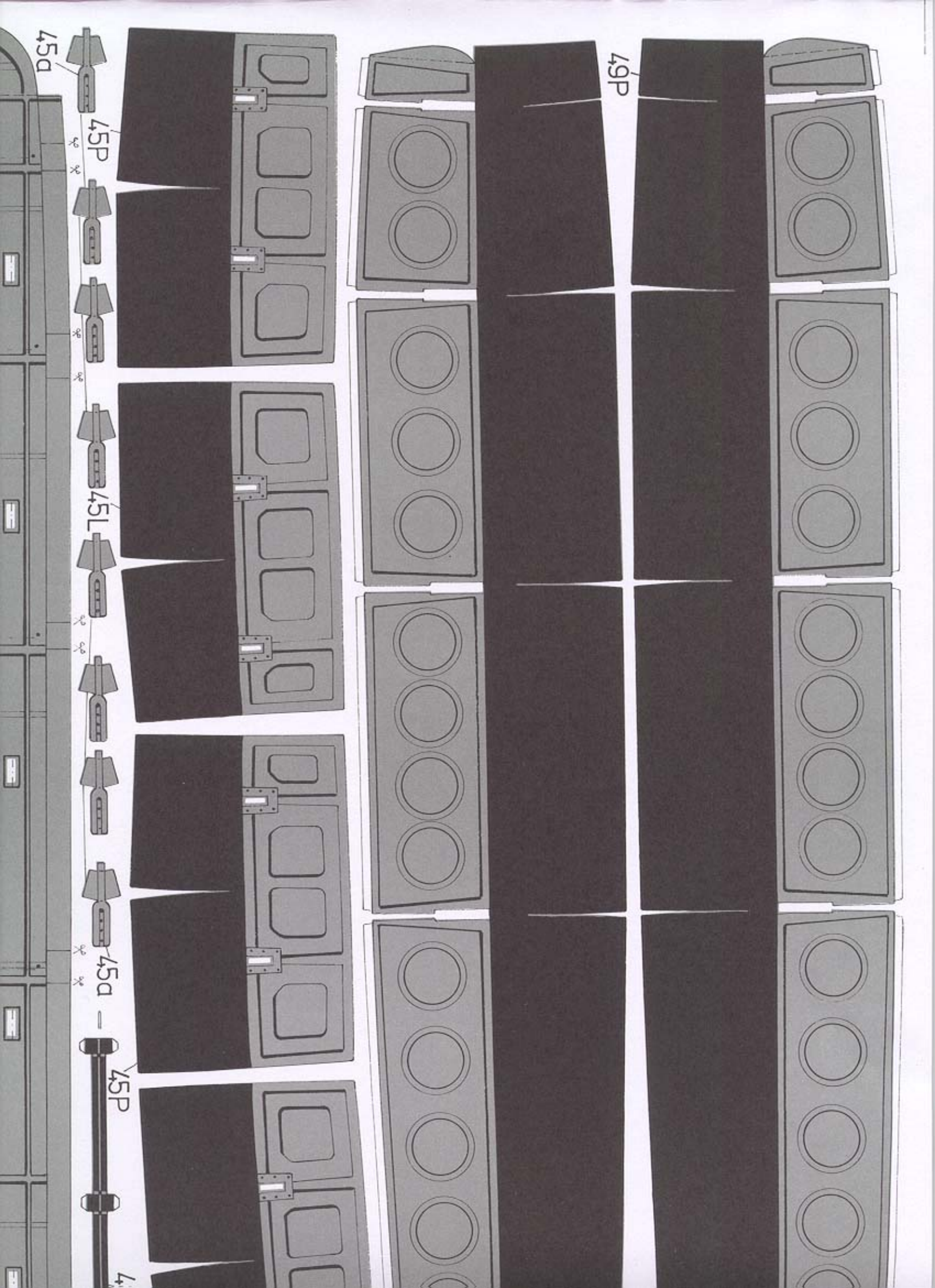
46f

D97

D97

D97





45a



45P



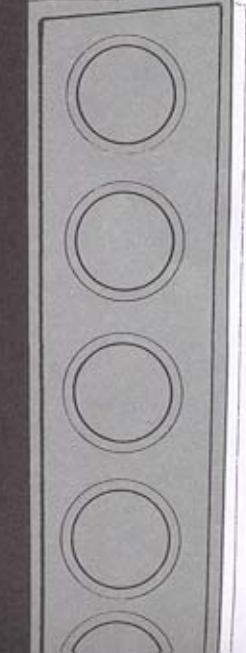
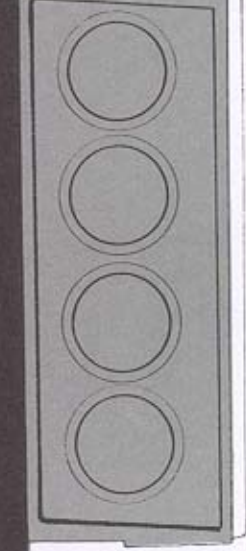
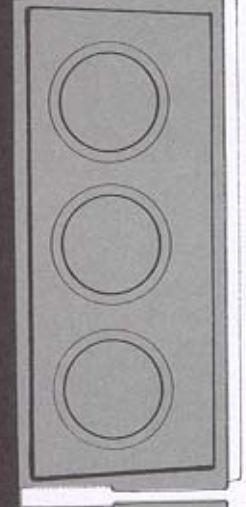
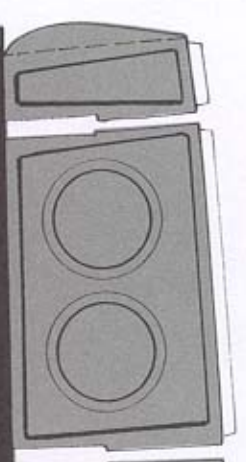
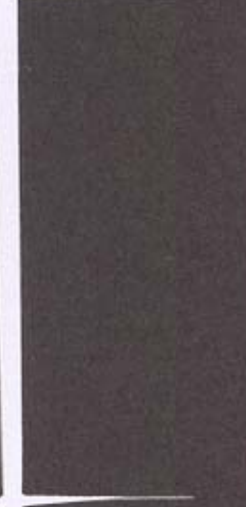
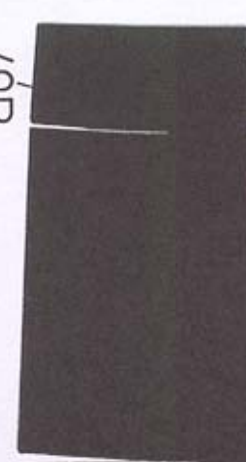
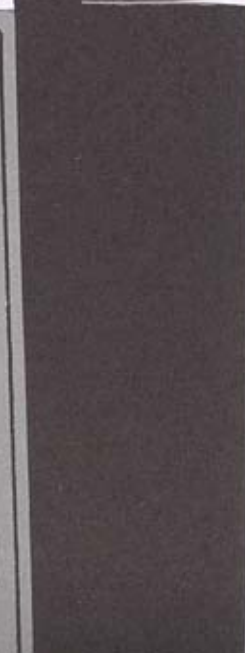
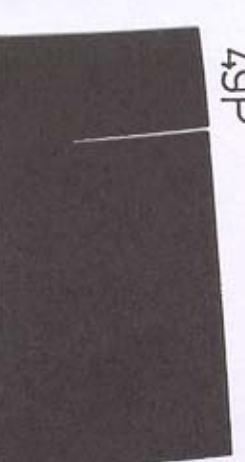
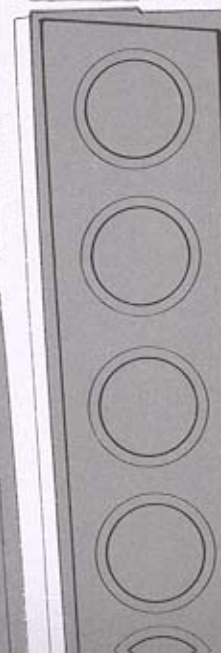
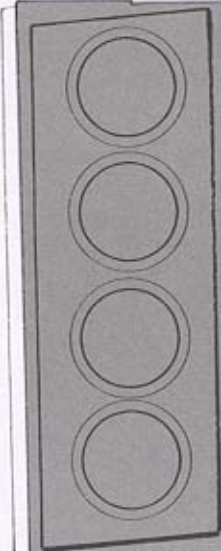
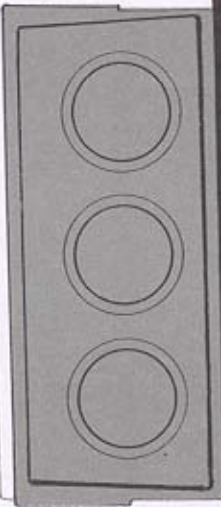
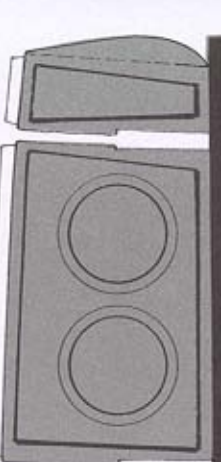
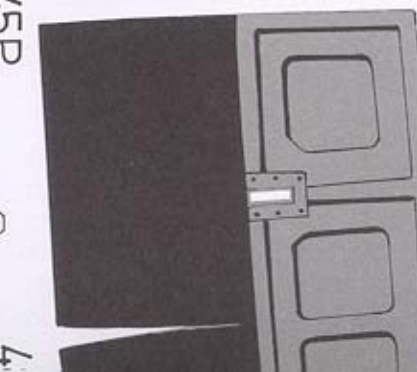
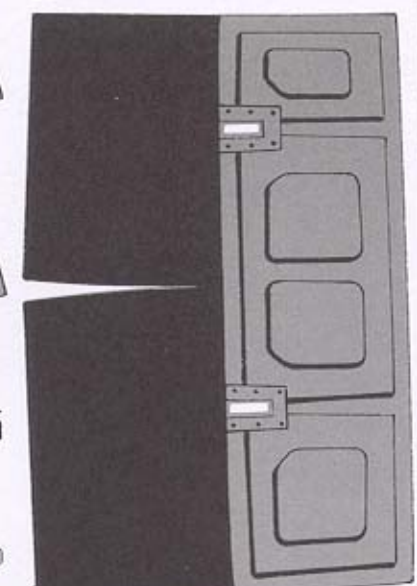
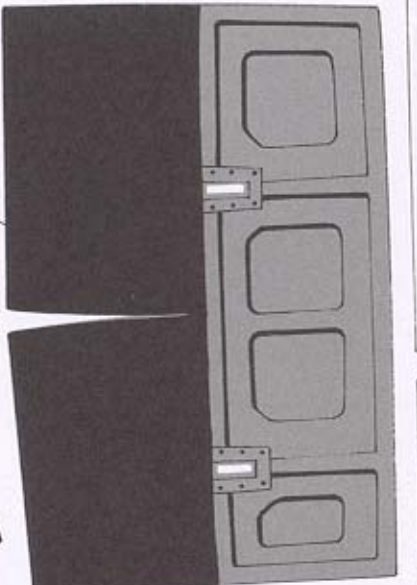
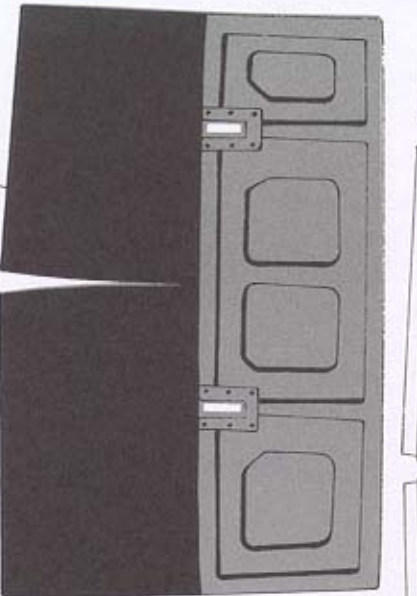
45L



45a



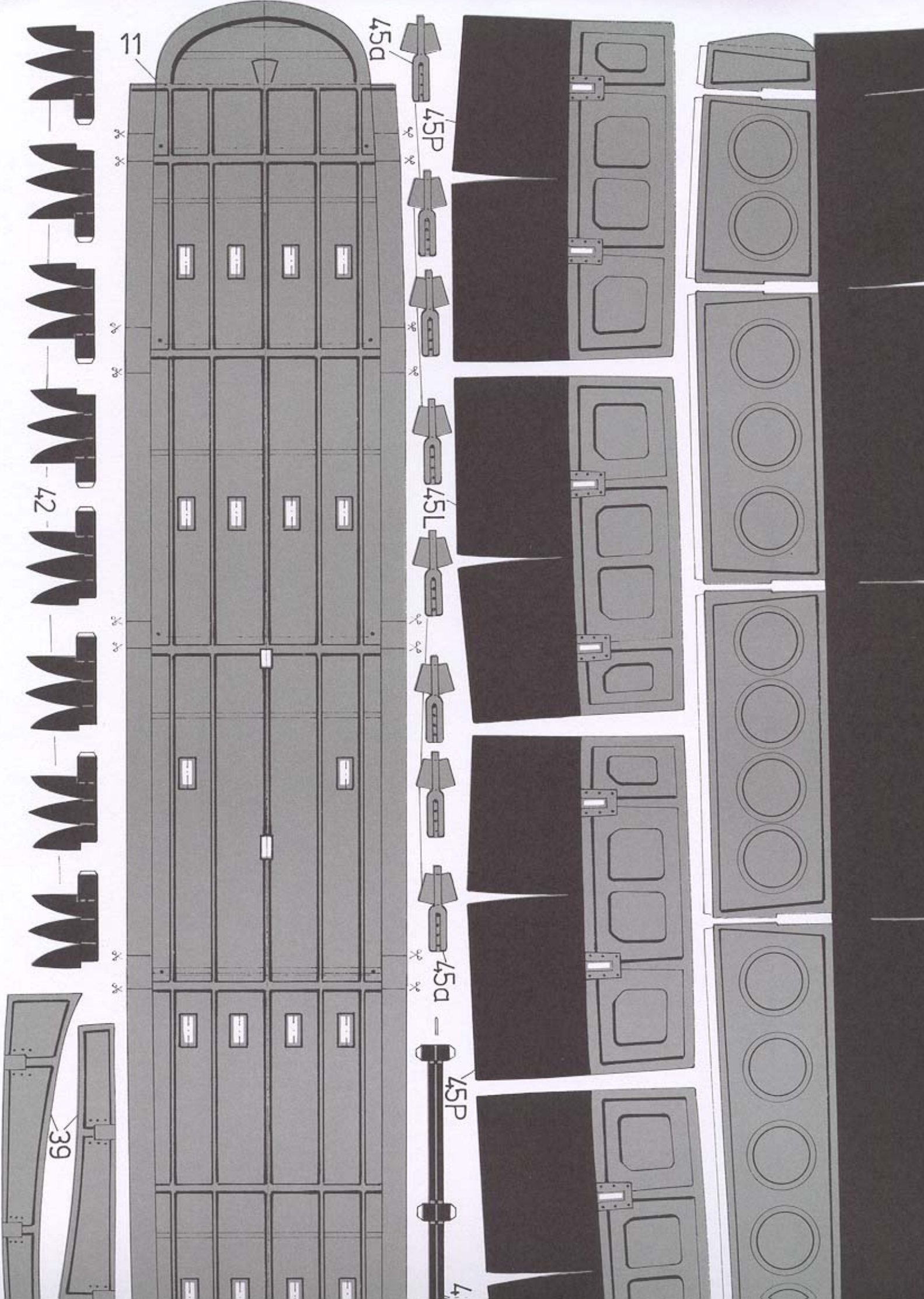
45P



49P

4





11

45a

45P

45L

45a

45P

4

42

39



