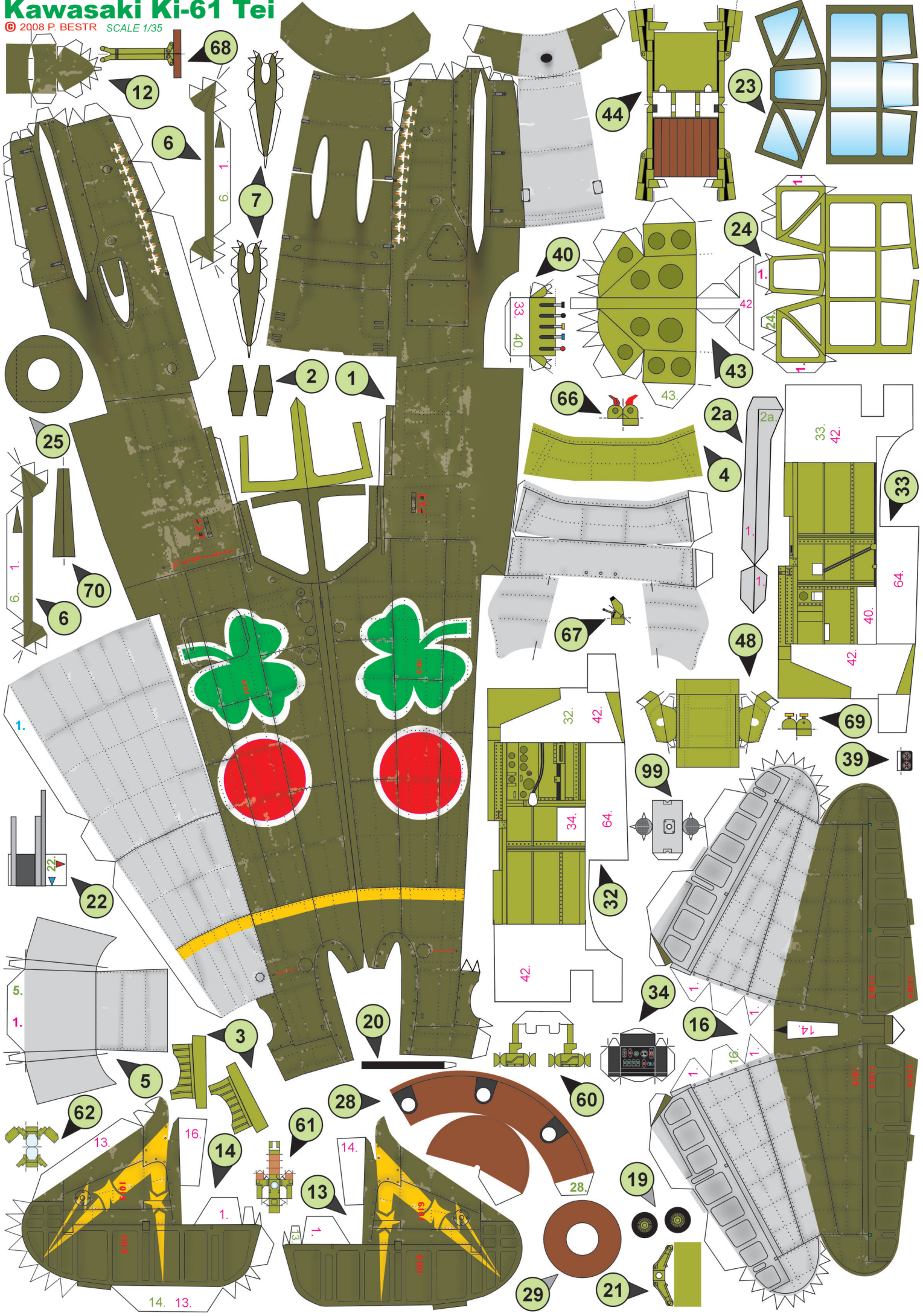


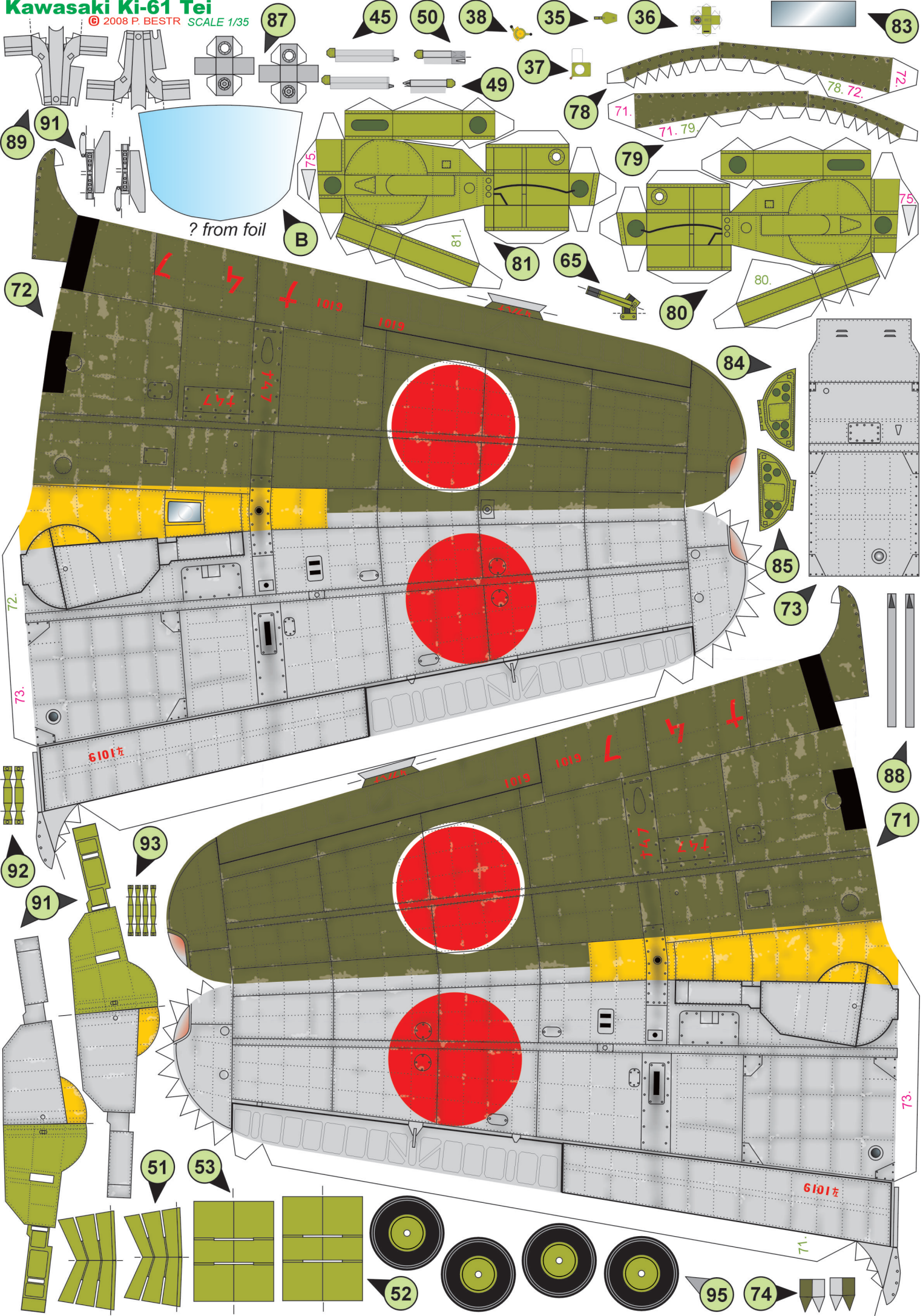
Kawasaki Ki-61 Tei

© 2008 P. BESTR SCALE 1/35



Kawasaki Ki-61 Tei

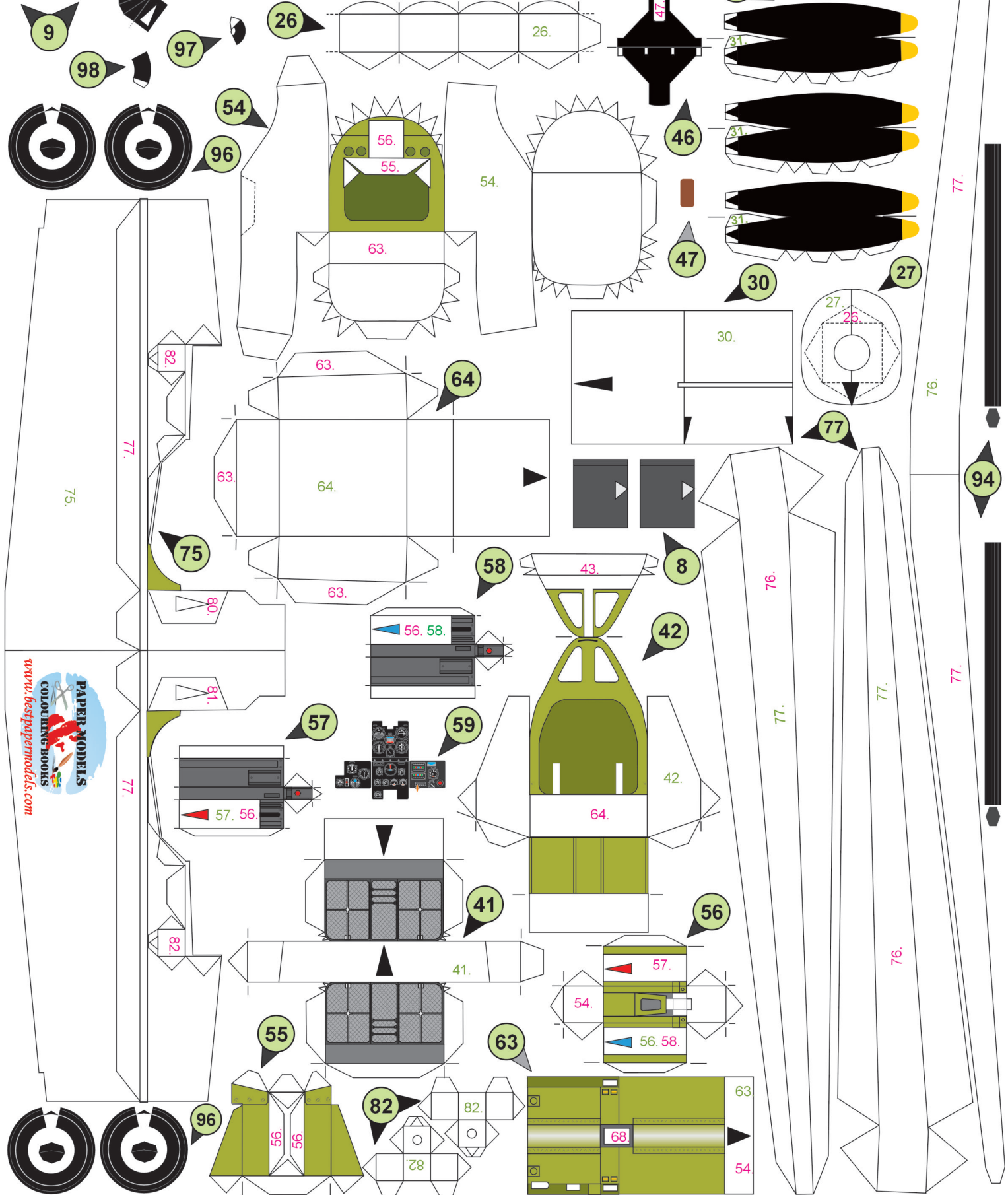
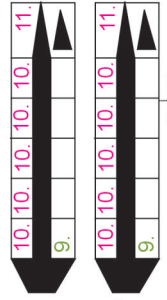
© 2008 P. BESTR SCALE 1/35



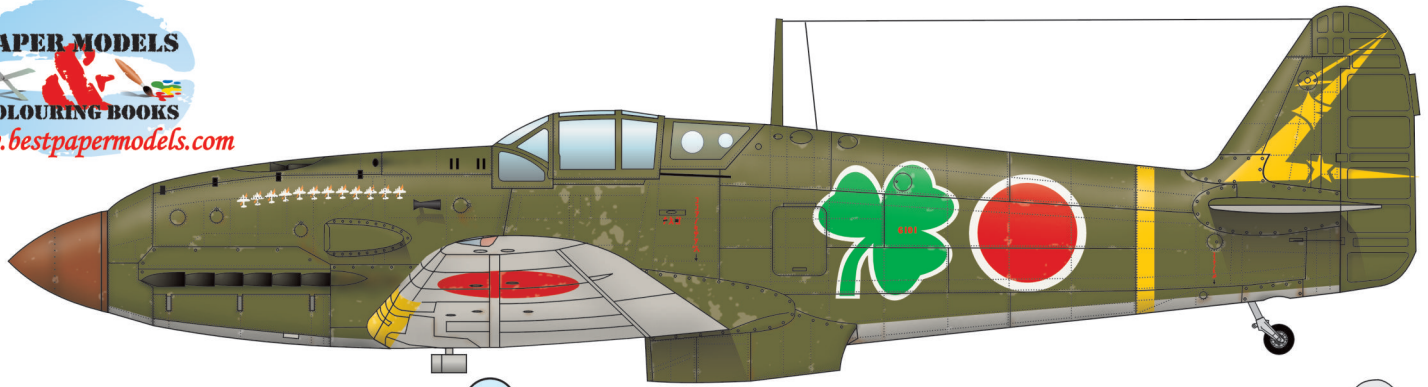
Kawasaki Ki-61 Tei

© 2008 P. BESTR

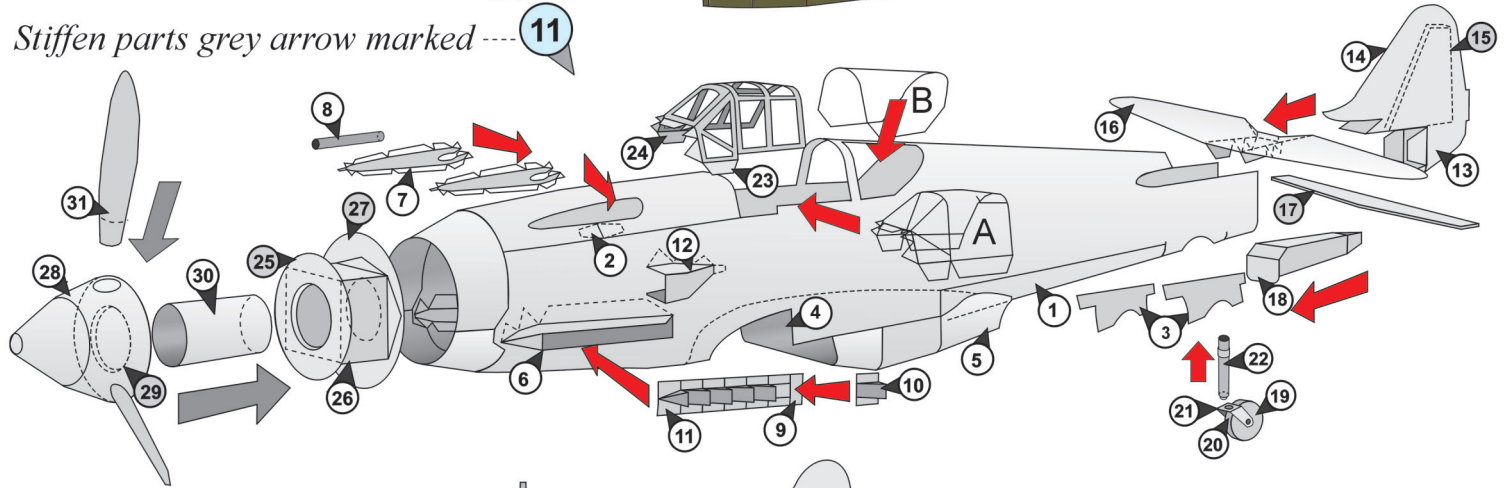
SCALE 1/35



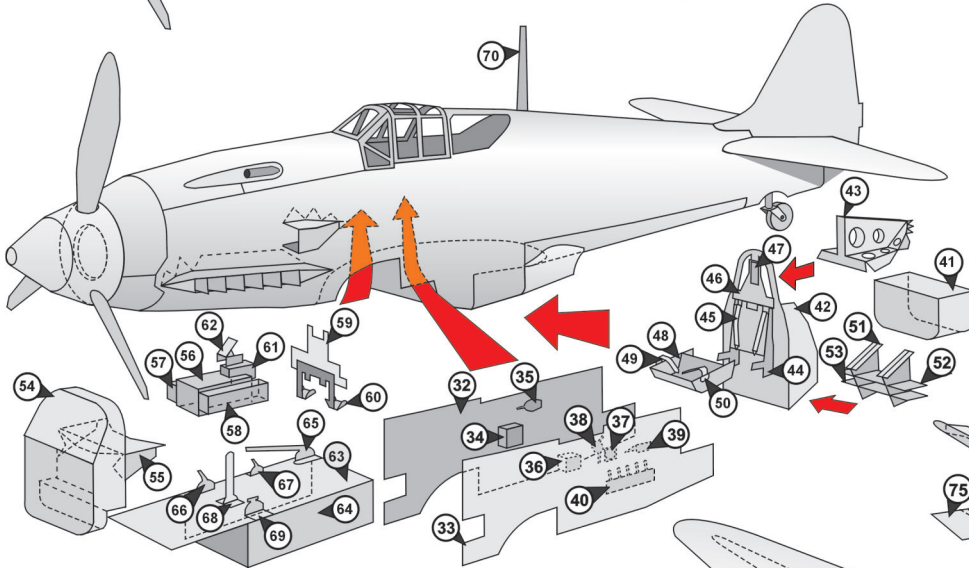
PAPER MODELS
COLOURING BOOKS
www.bestpapermodels.com



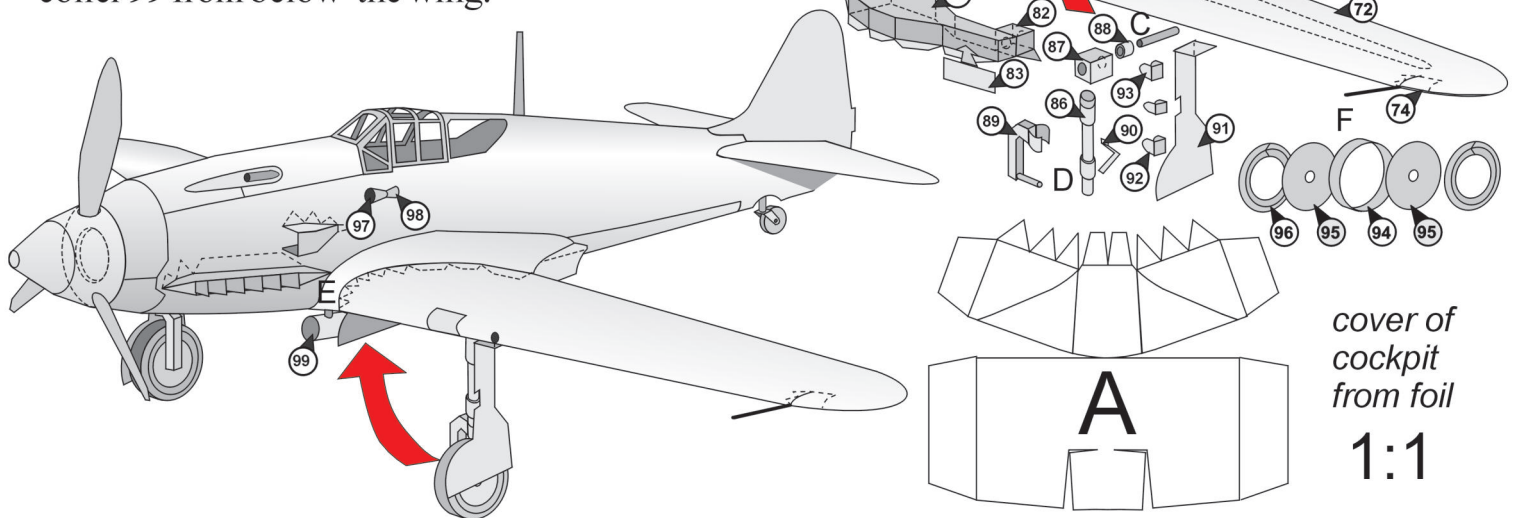
Stiffen parts grey arrow marked --- 11



At first put fuselage 1, 2 together. Glue exhausts, machine-guns and another details 3-12. Now you built tail 13-18, tail gear 19-22, cover of cockpit 23, 24 and propeller 25-31. You complete interior with antenna 32-70. Into wing



70-73 glue parts 74-83 and then wing close. Follow covers 84, 85. At least complete main gear 86-96, parts 97, 98 on fuselage and small collar 99 from below the wing.



cover of cockpit from foil 1:1