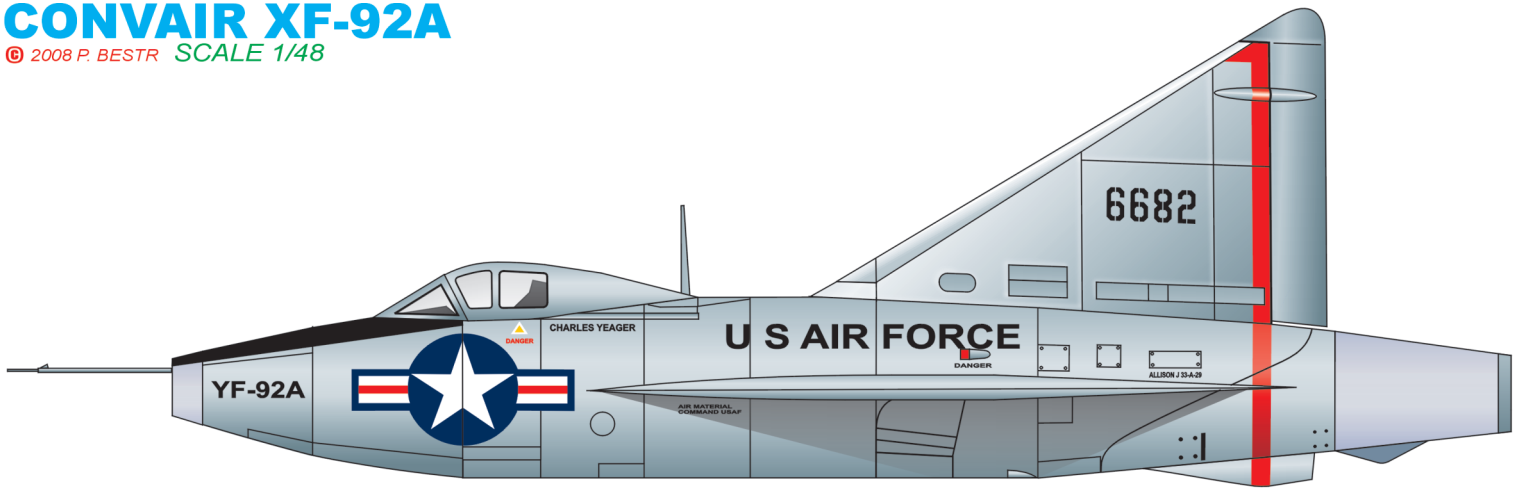


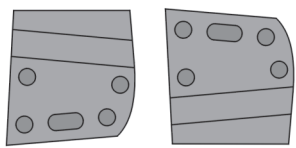
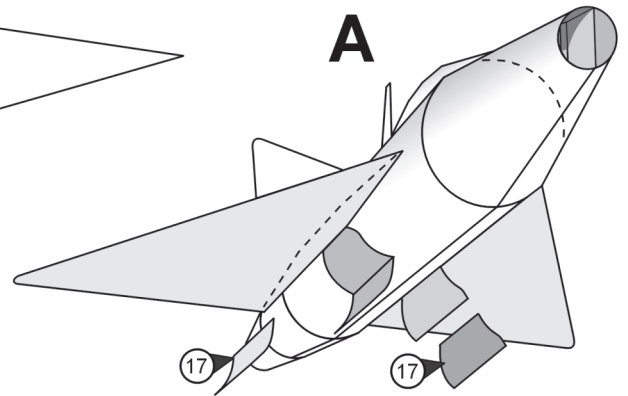
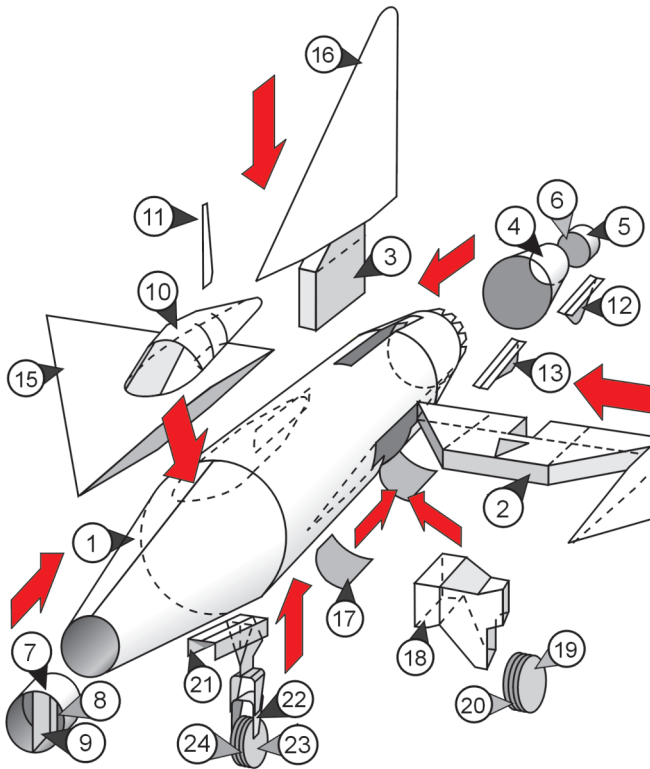
CONVAIR XF-92A

© 2008 P. BESTR SCALE 1/48



At first, you must know, which version you want built. For complete version with landing gear you cut part *1* by picture *A*. Then you built fuselage *1-13*. Follow wings *14, 15* and tail *16*. Now is easy plane finished. You can glue main gear *17-20* and front wheel *21-24*.

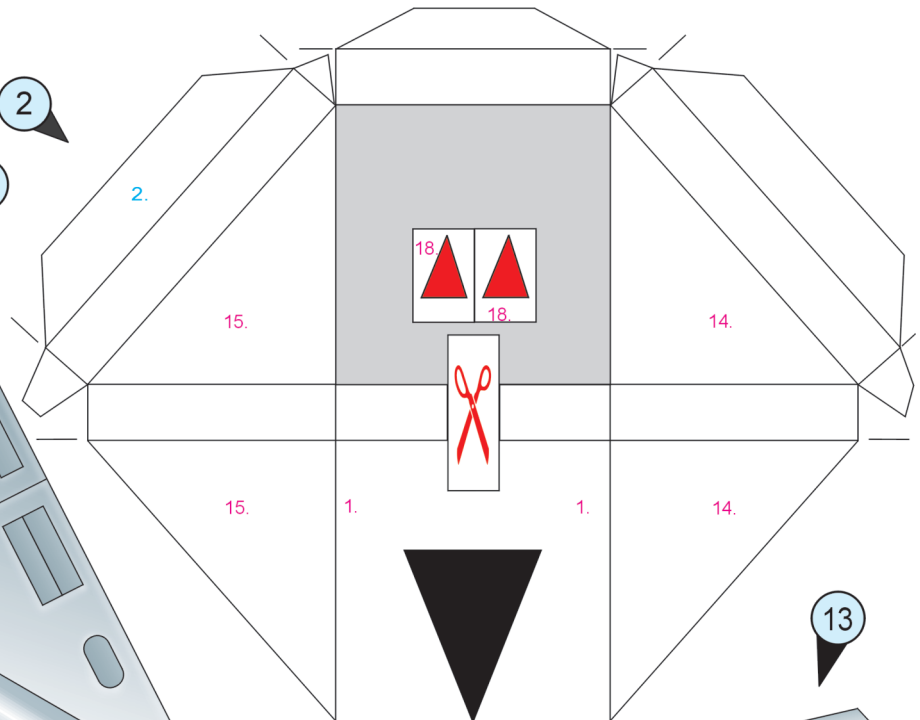
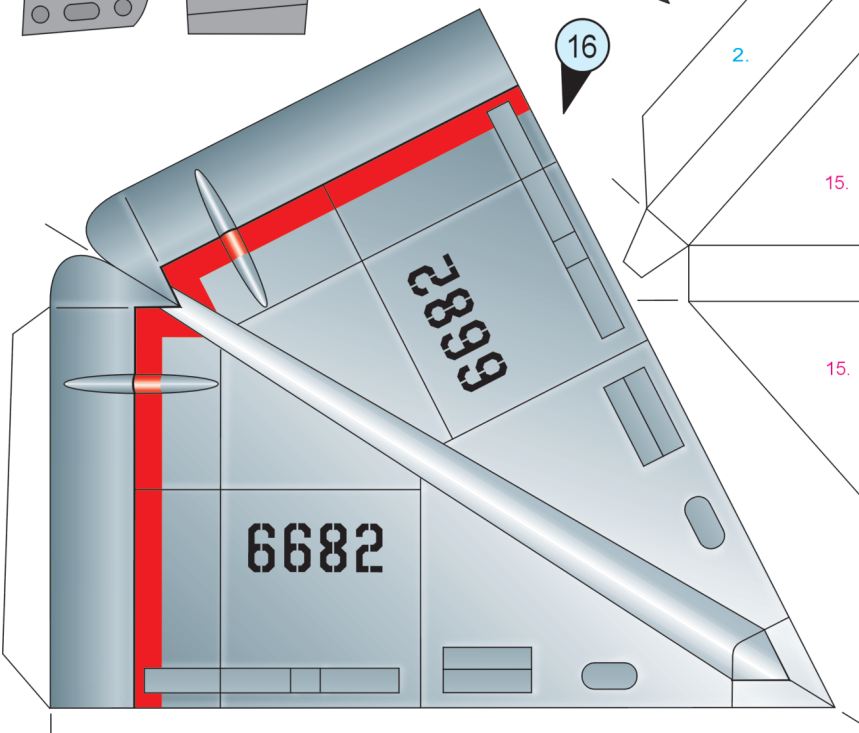
Stiffen parts grey arrow marked ---- **11**



17

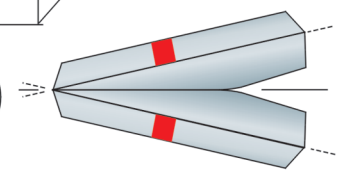
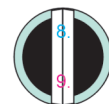
2

16



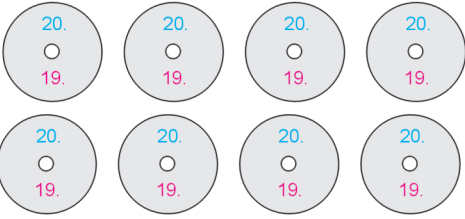
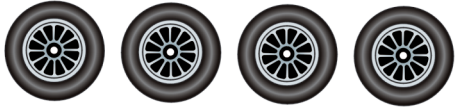
13

8



CONVAIR XF-92A

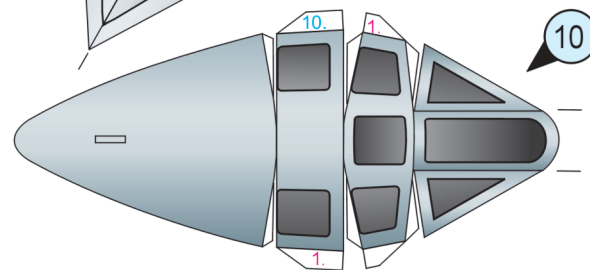
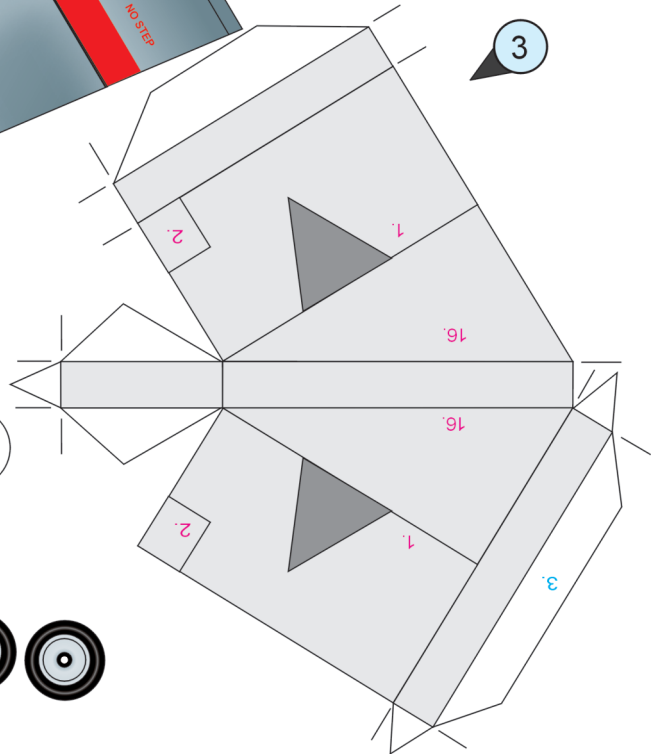
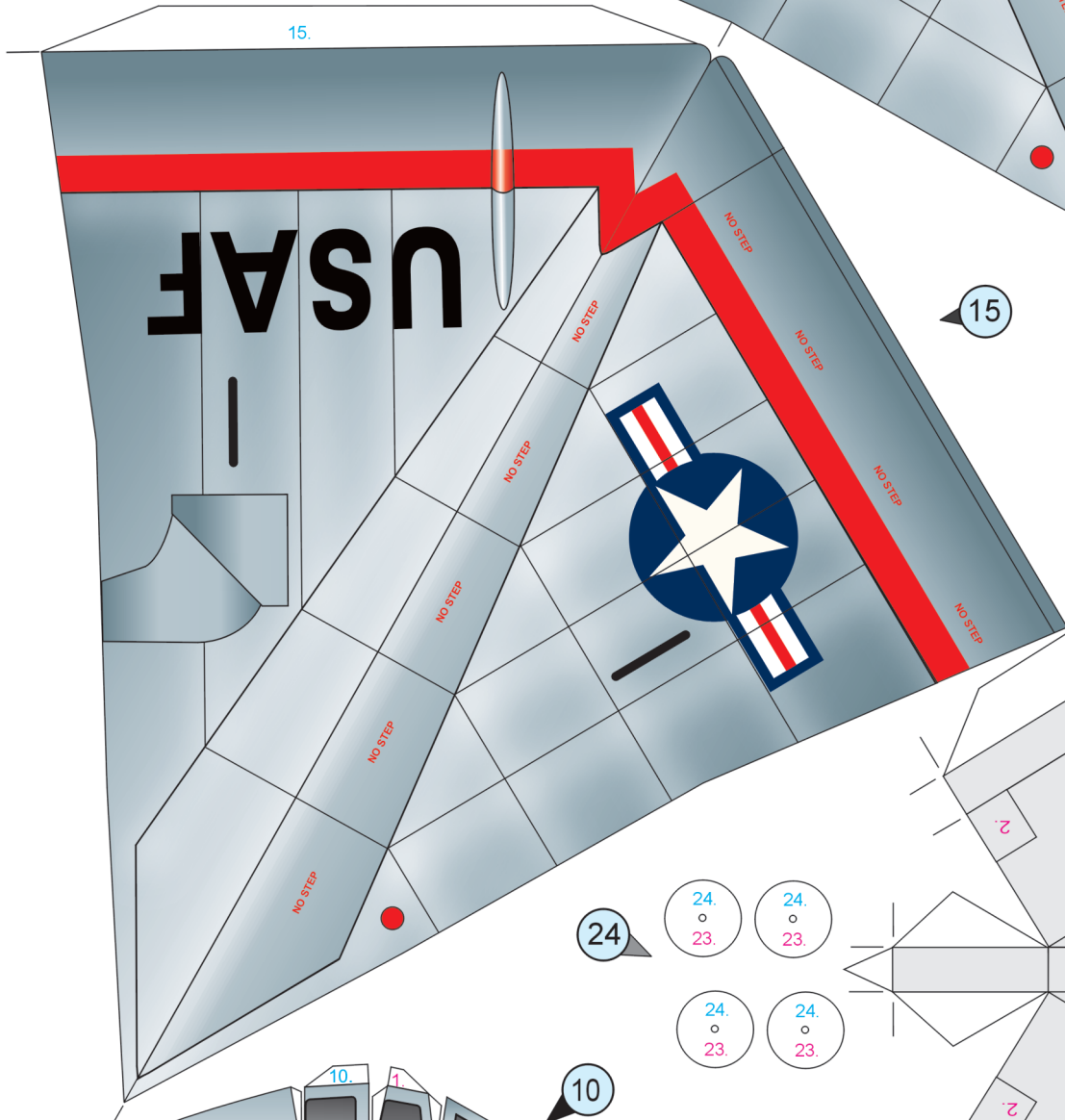
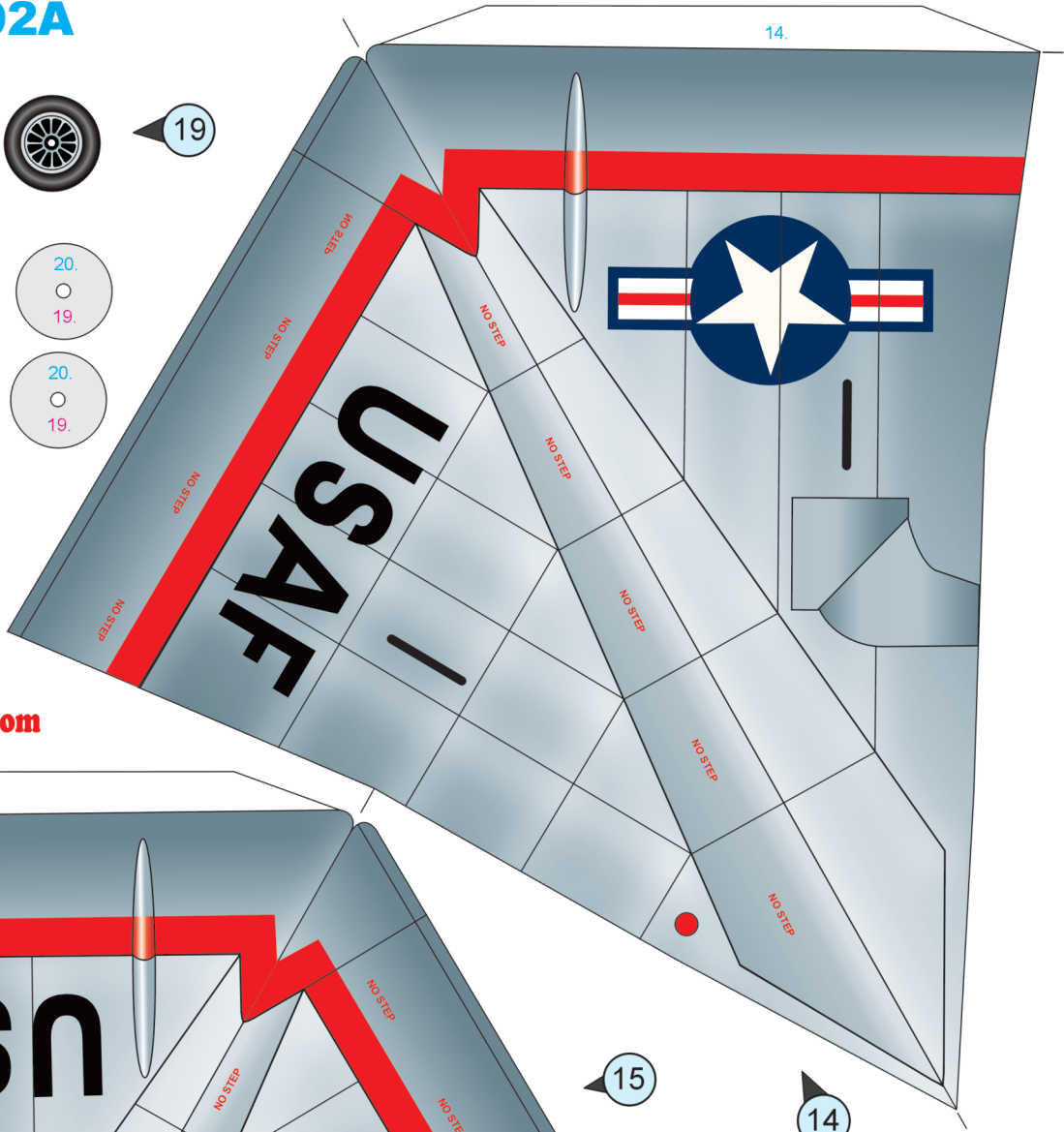
© 2008 P. BESTR SCALE 1/48



20



www.bestpapermodels.com



CONVAIR XF-92A

© 2008 P. BESTR SCALE 1/48

