

Building Instruction

WESER FEUERSCHIFF

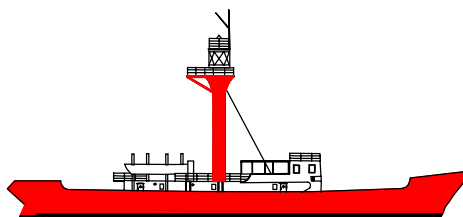
Light ship and museum ship

Kit No. 1097

length: 20,8 cm / 8 3/8 in

intermediate

2 sheets - scale: 1:250



GENERAL INTRODUCTION FOR THE MODELS WITH ONLY DIAGRAM- INSTRUCTIONS

Building this model with only diagram instructions can be just as easy if not easier than building a model with detailed step-by-step instructions. There are three basic things to keep in mind:

1. Read the general instructions very carefully to insure that you understand what you are to do with the different markings / lines.
2. Before you cut out your first piece, mentally assemble the model piece by piece to insure you understand the concept.
3. Refer to the diagrams as you assemble the model.

With these three points in mind you will find that the model you made with diagram instructions will be as authentic looking as the ones you used to make with the detailed step-by-step instructions.

Abb./ Fig.1

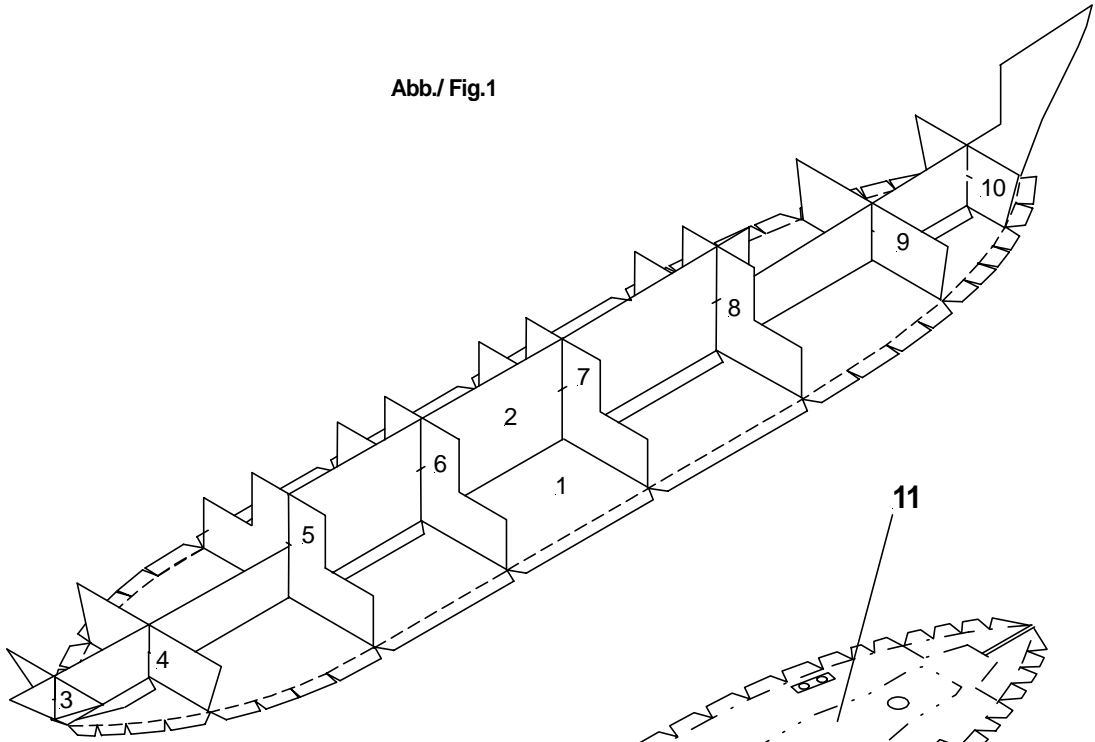
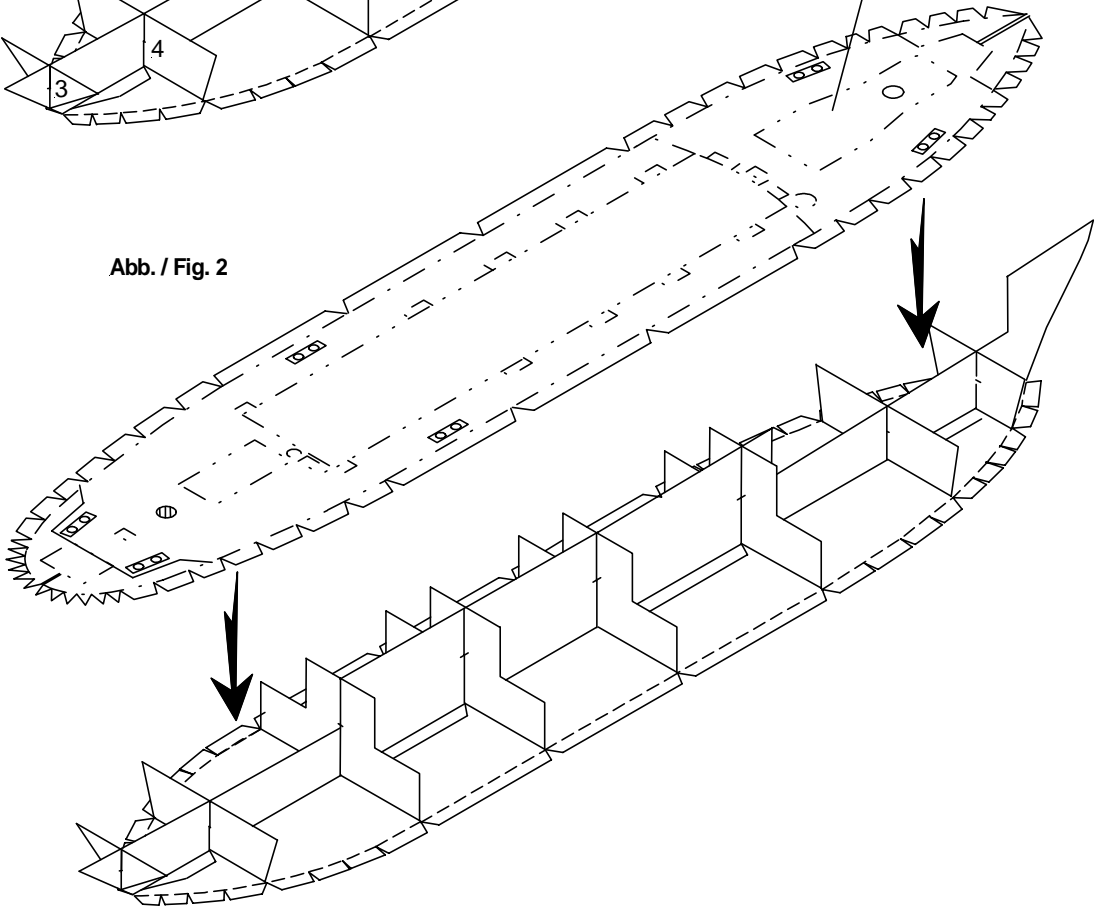


Abb. / Fig. 2



1097-A

Abb./ Fig.3

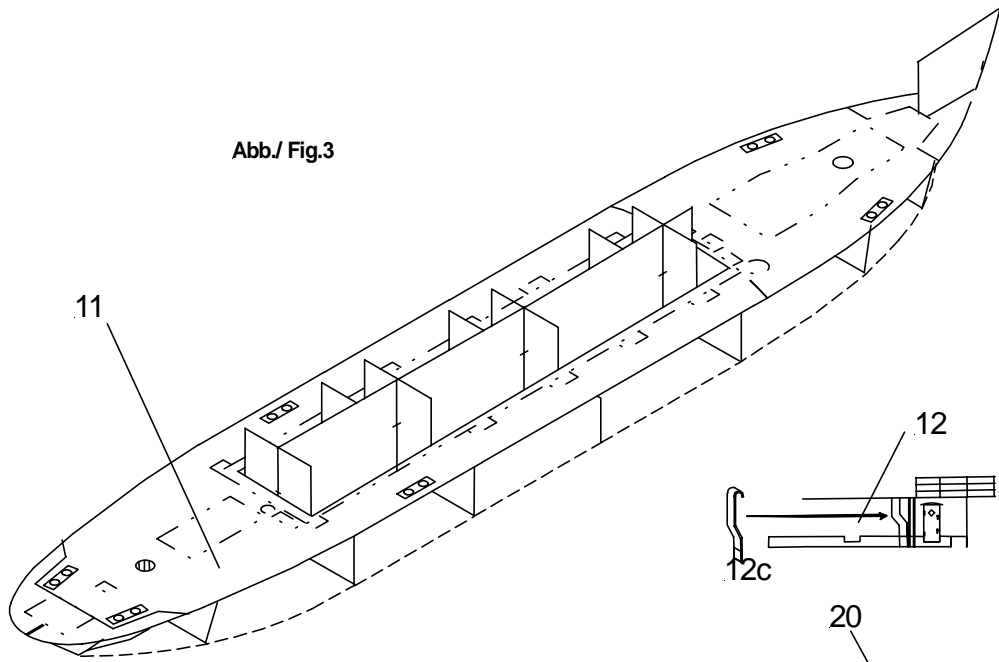
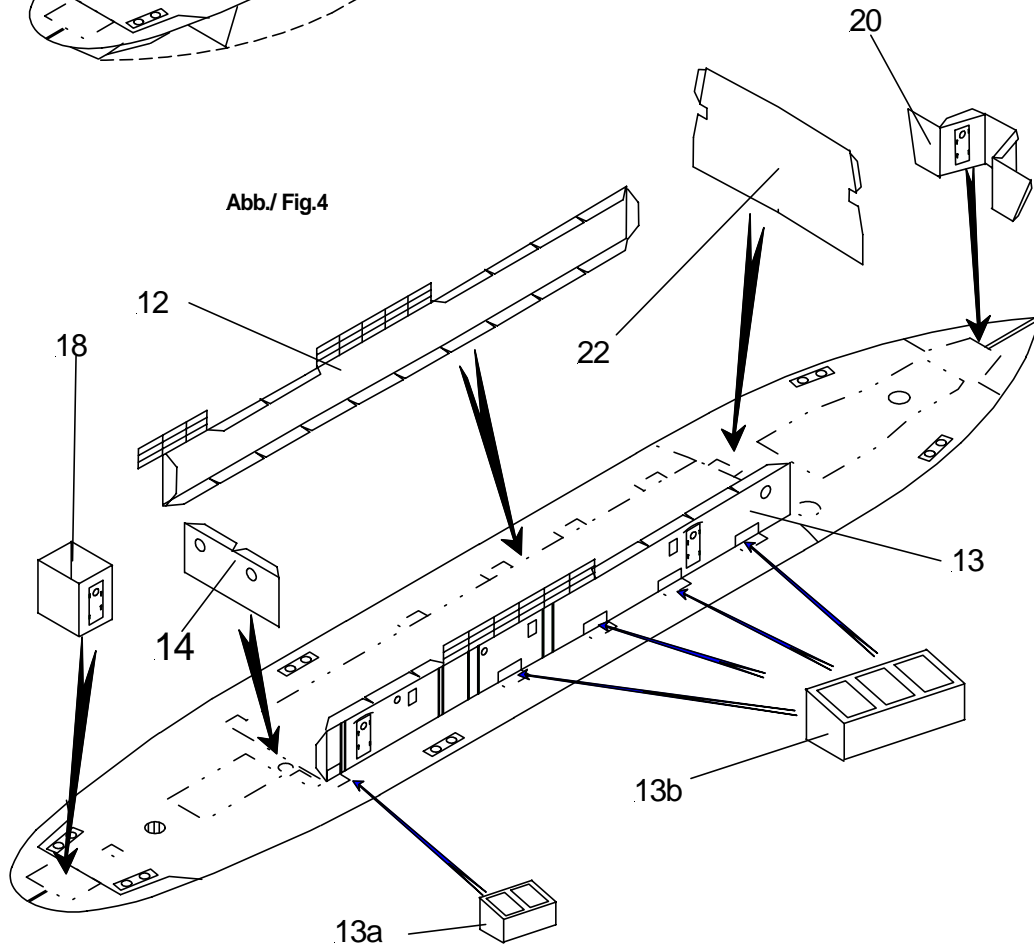
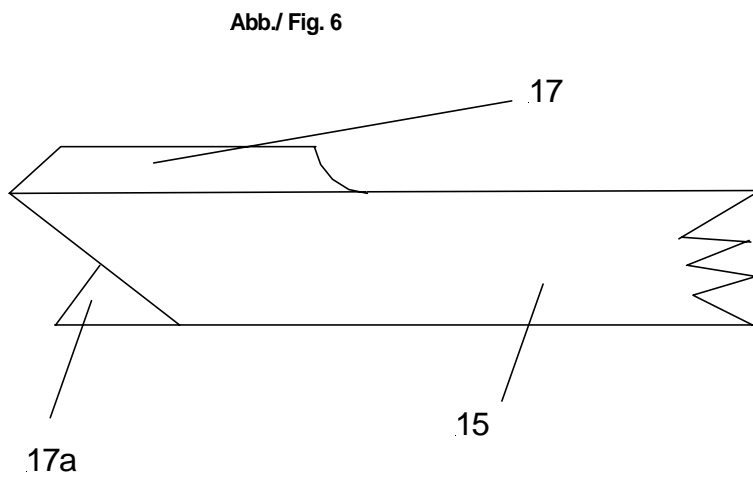
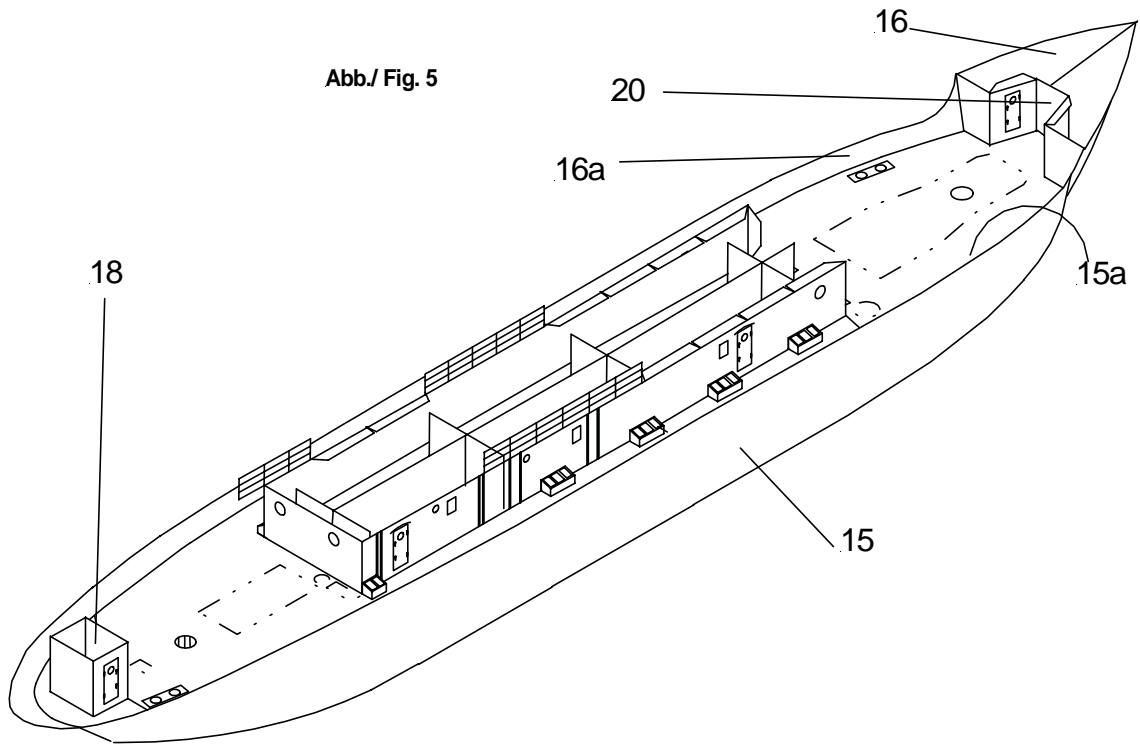


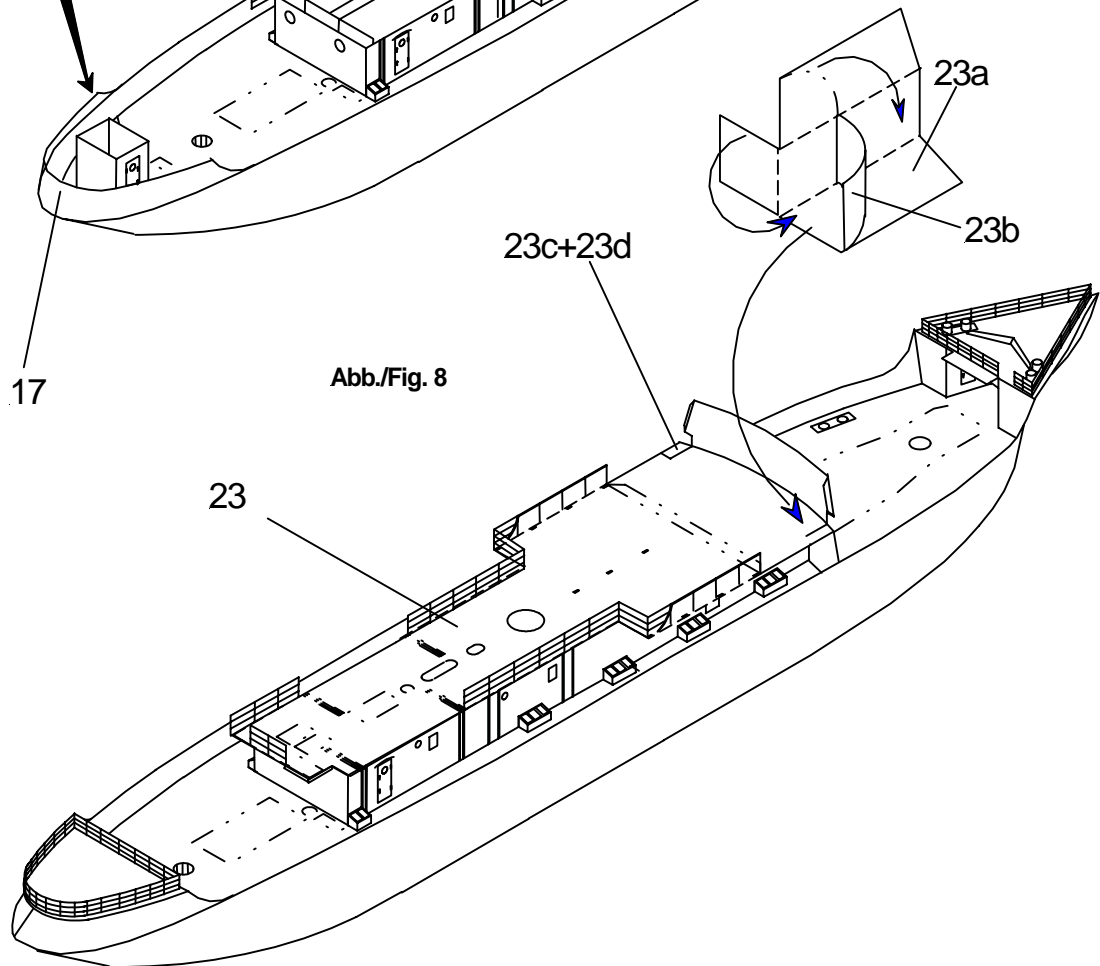
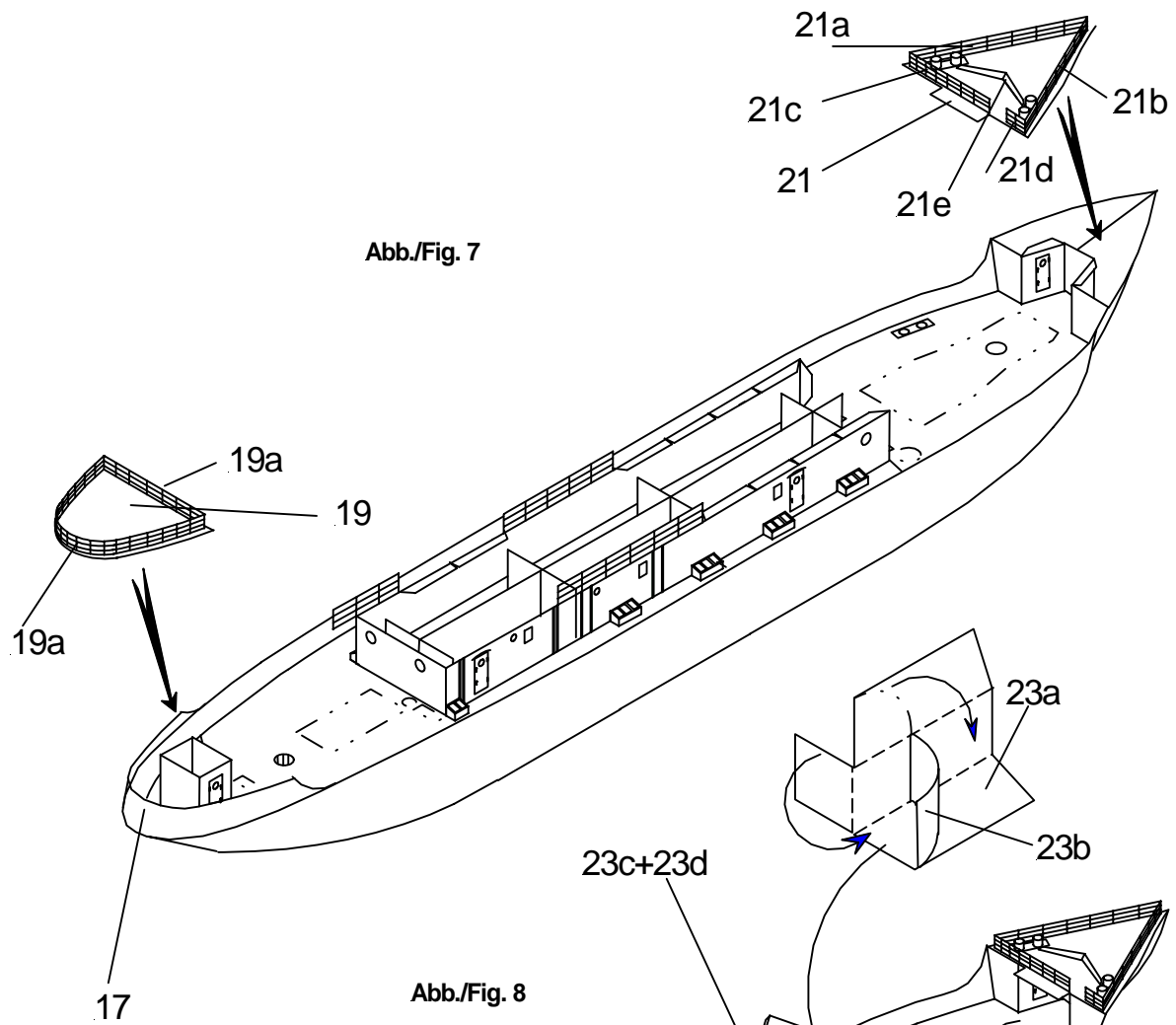
Abb./ Fig.4



1097-B



1097-C



1097-D

Abb./Fig 9

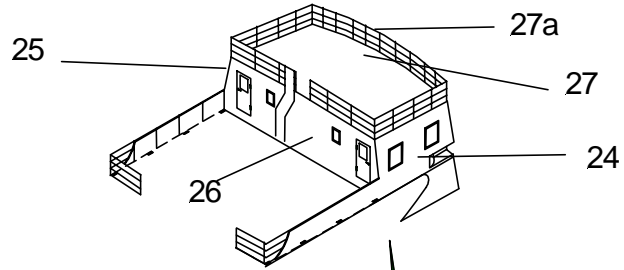
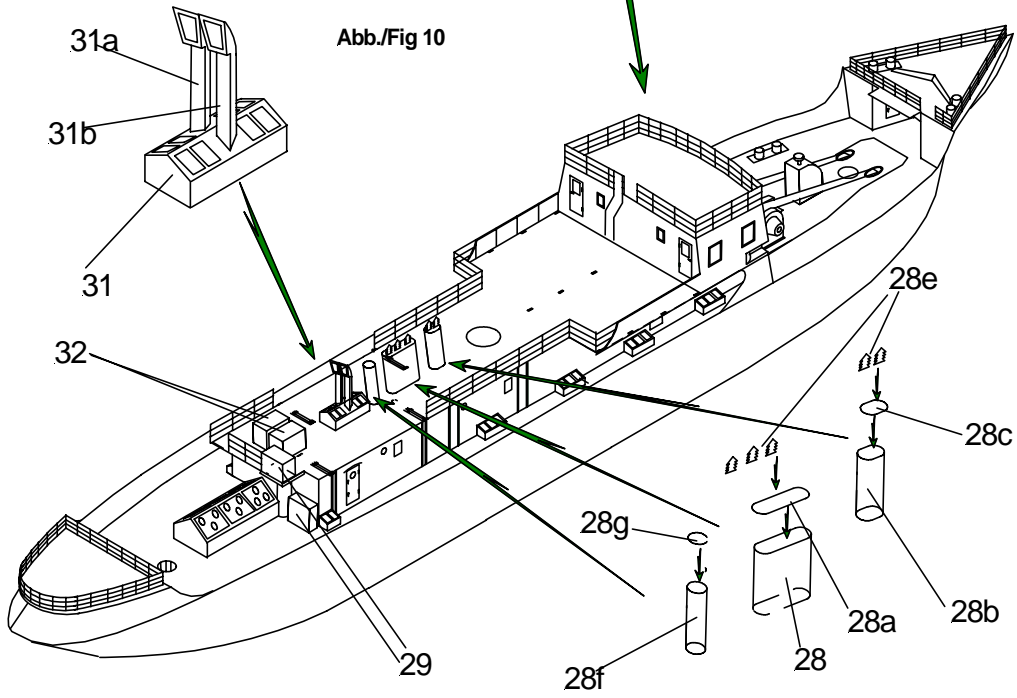


Abb./Fig 10



1097-E

Abb./Fig 11

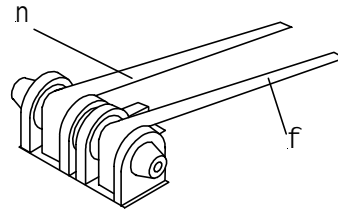
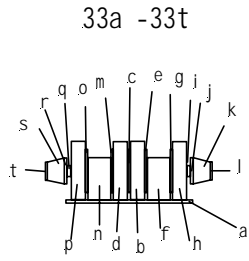
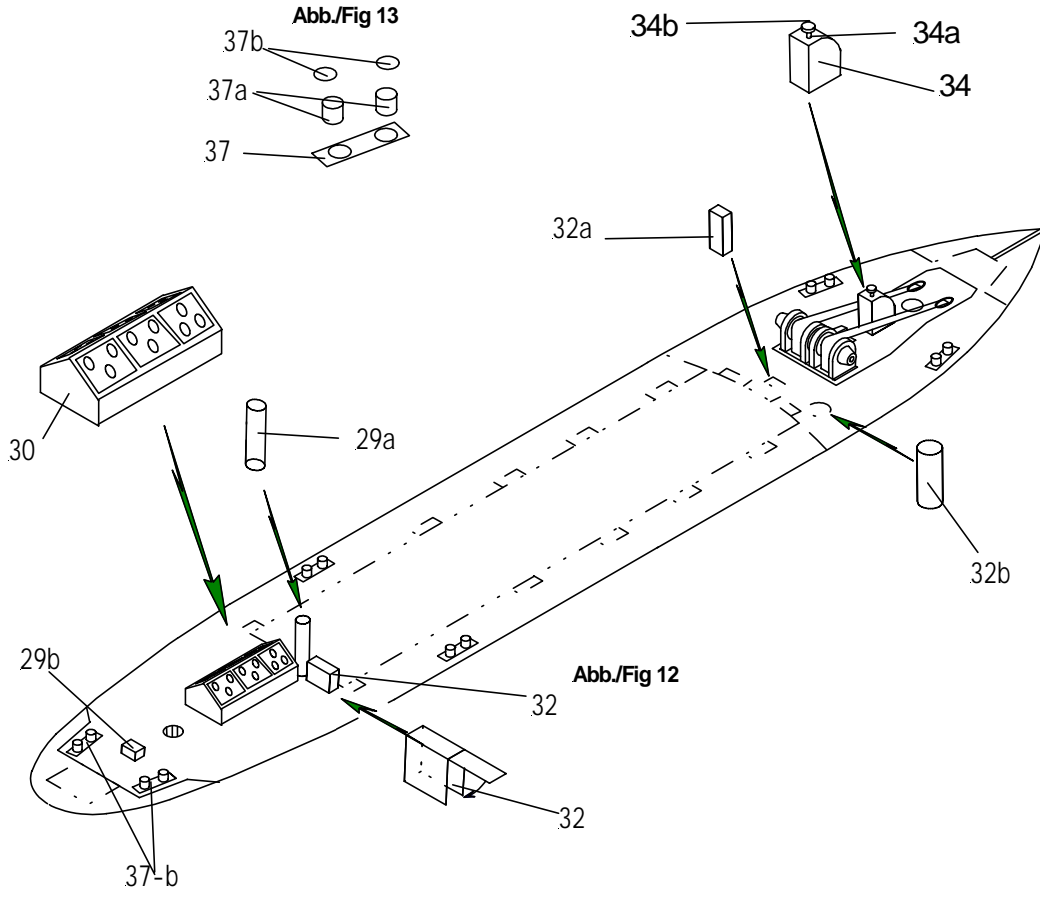
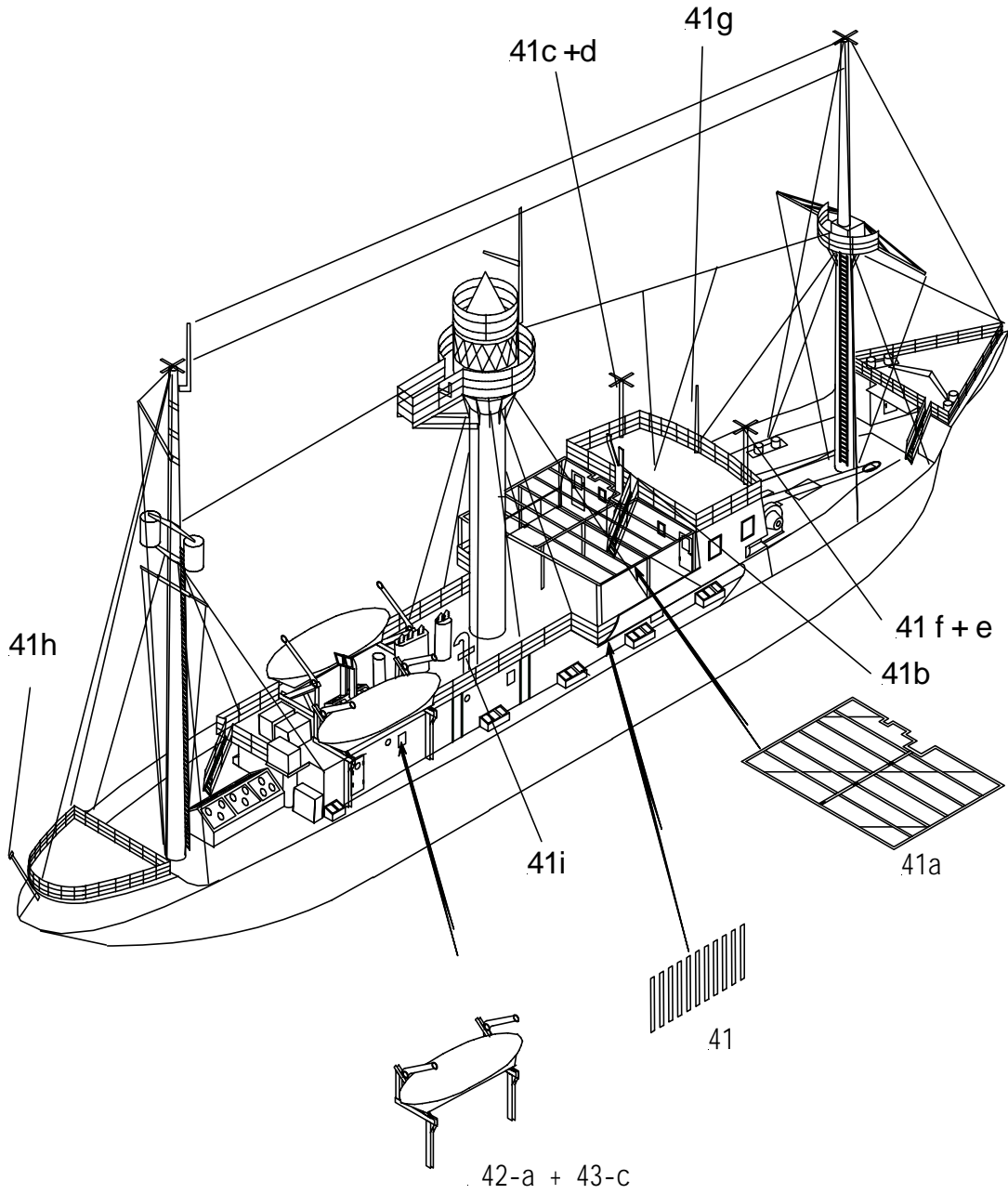


Abb./Fig 14

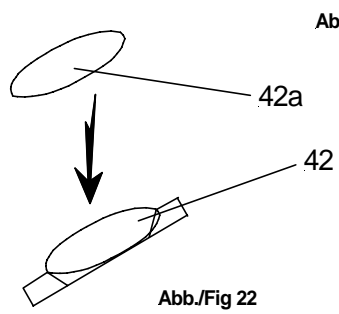
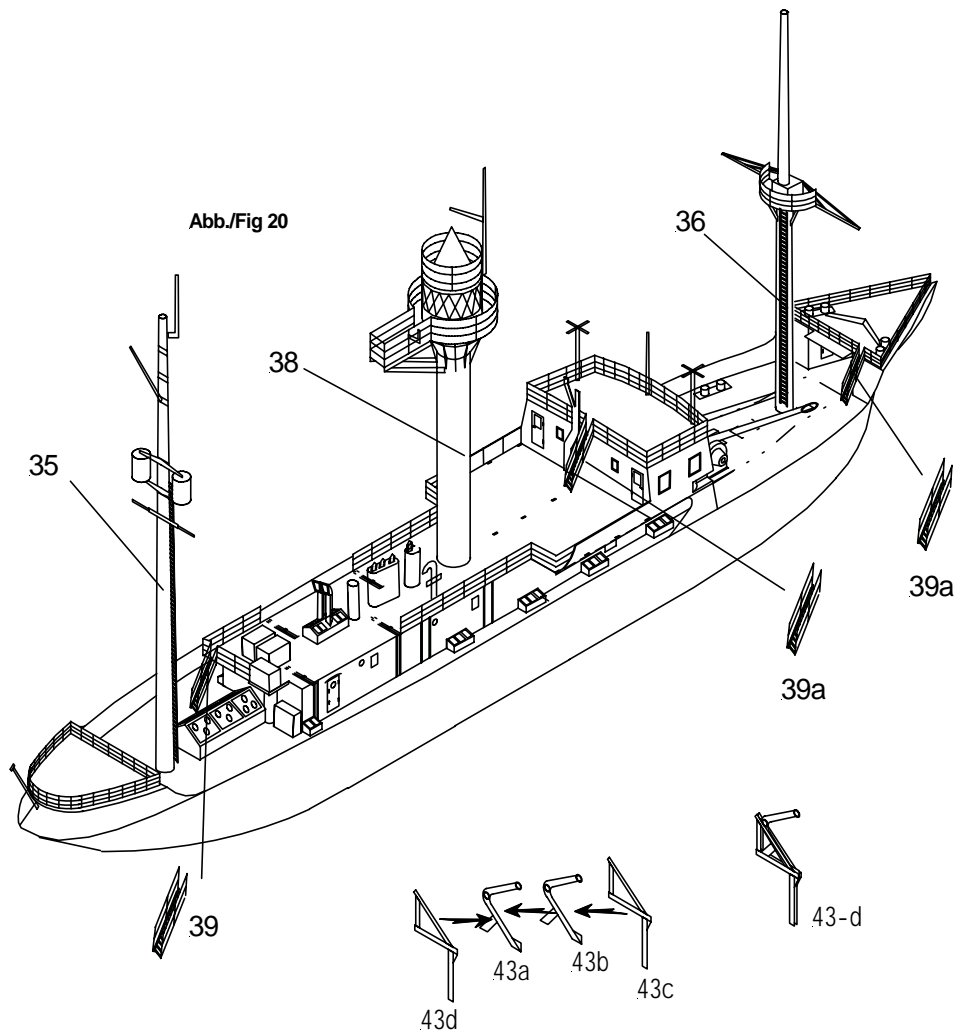


1097-F

Abb./Fig 23



1097-I



1097-H

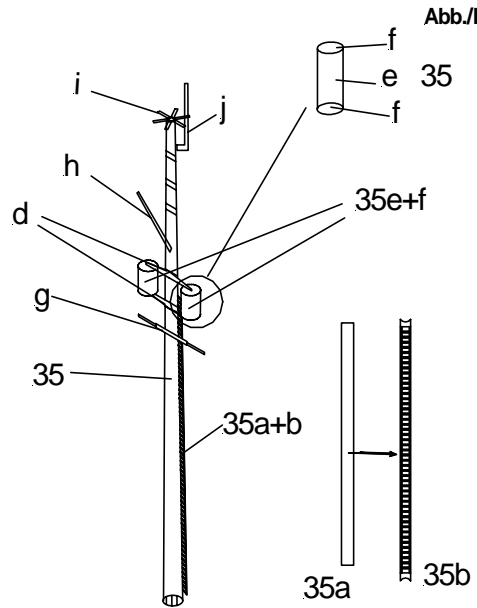


Abb./Fig 15

Abb./Fig 16

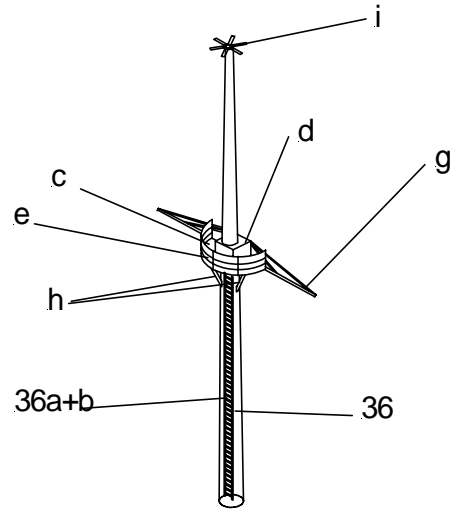


Abb./Fig 17

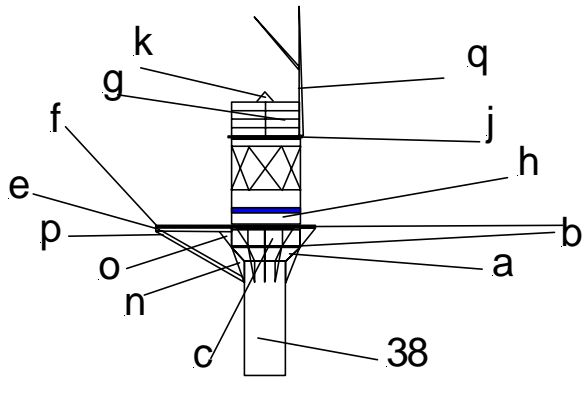


Abb./Fig 18

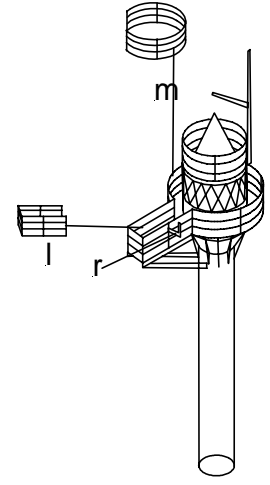


Abb./Fig 19