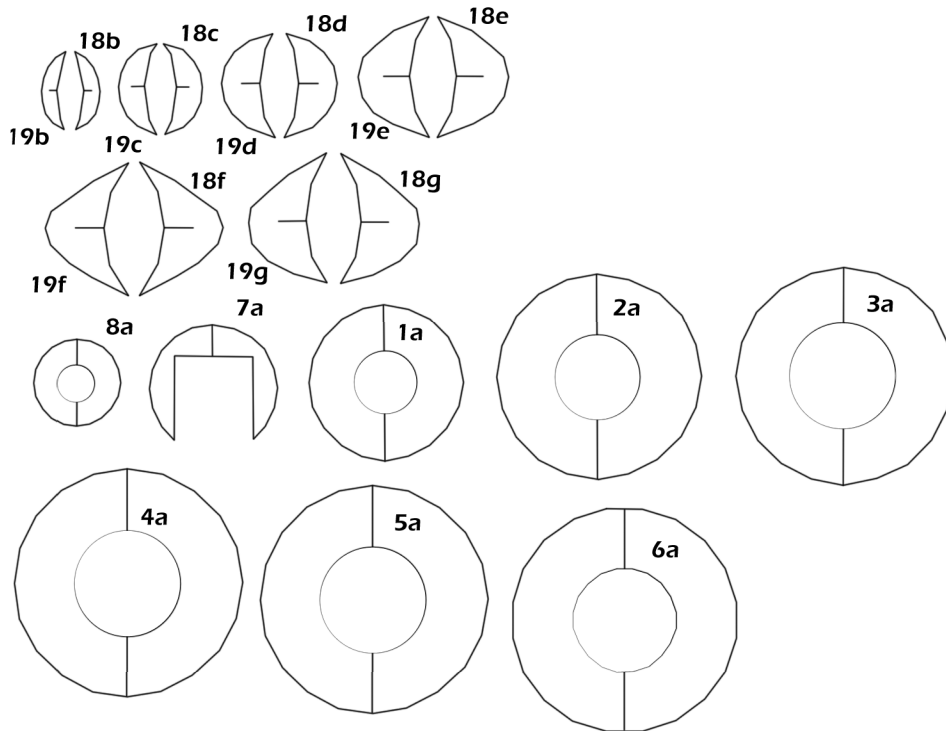
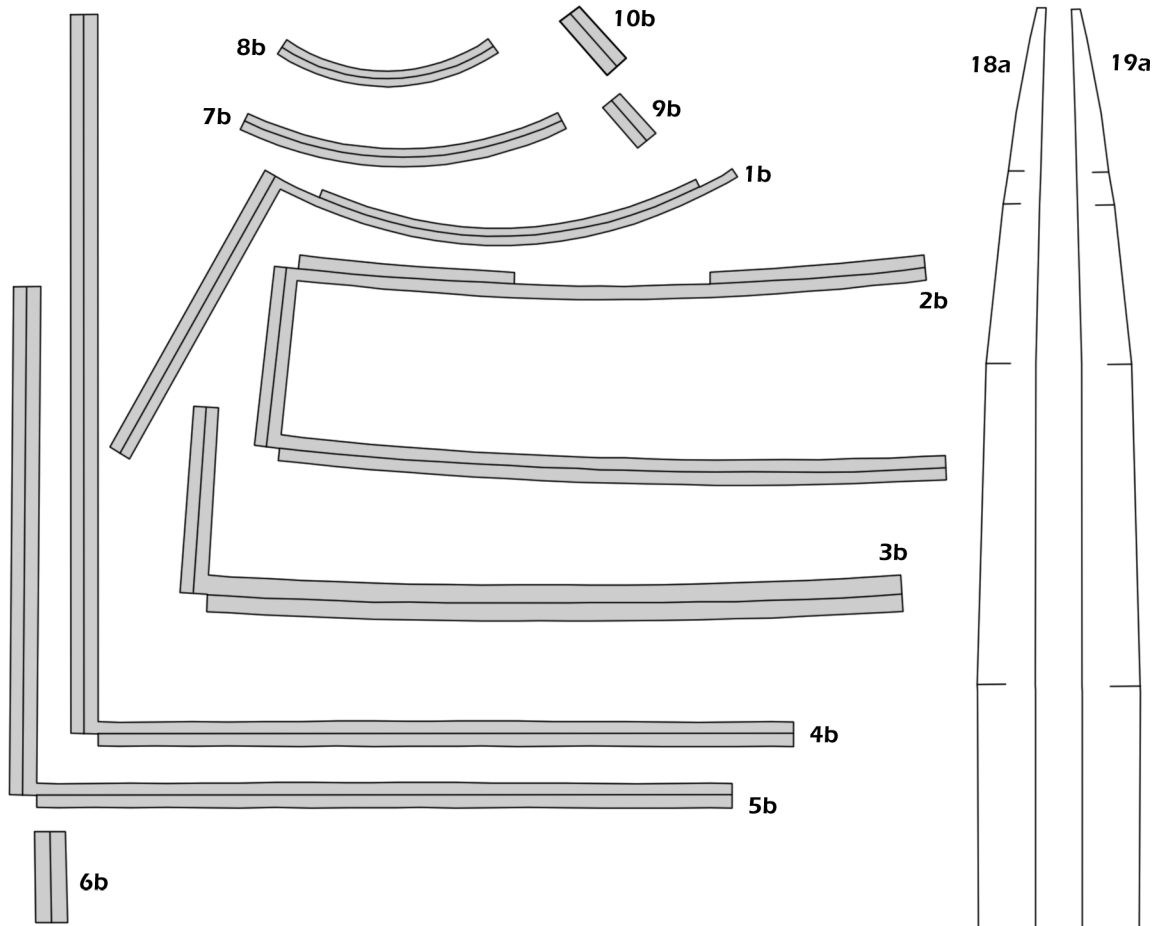
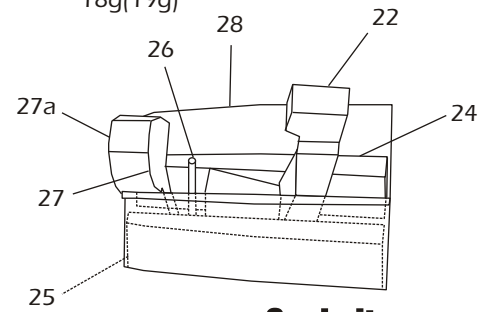
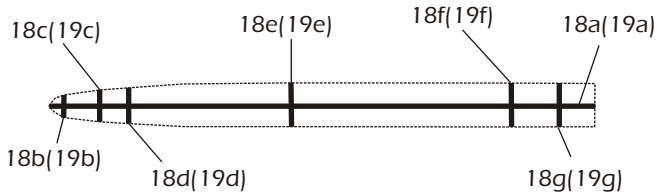
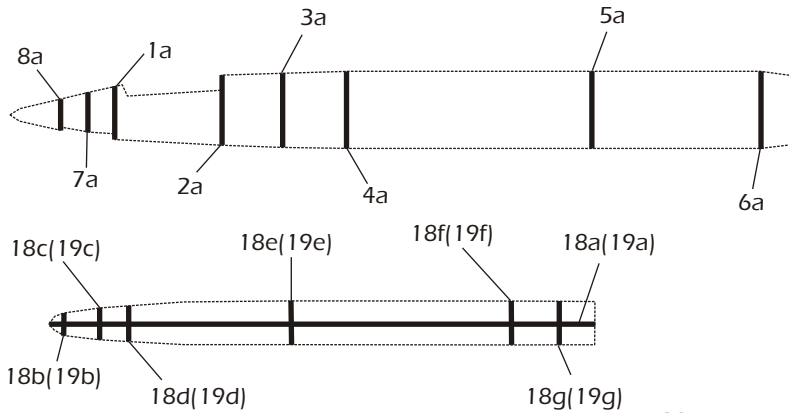
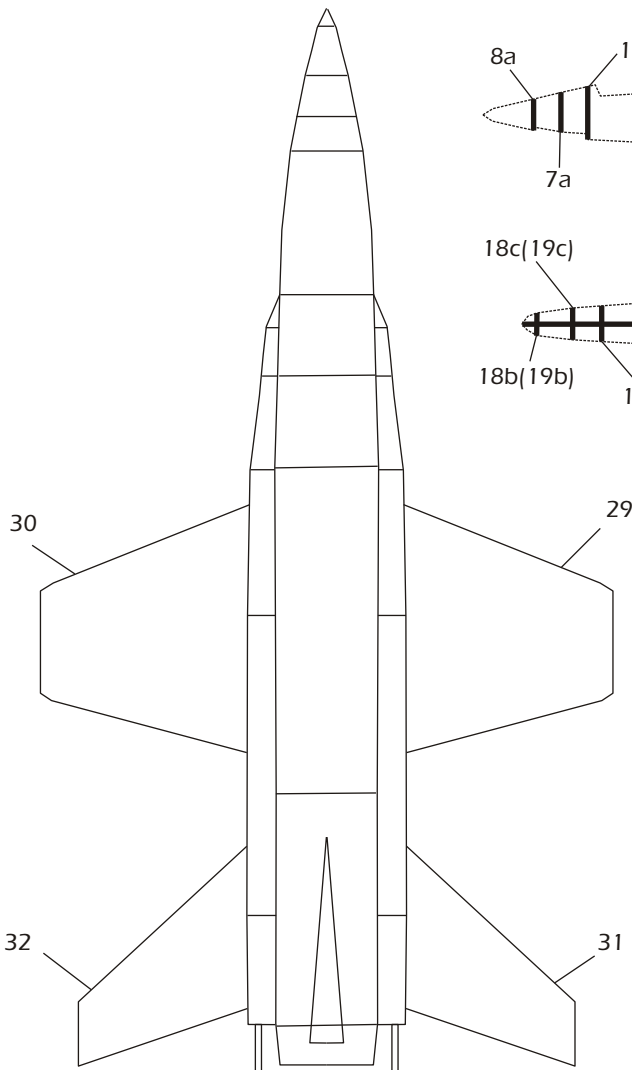
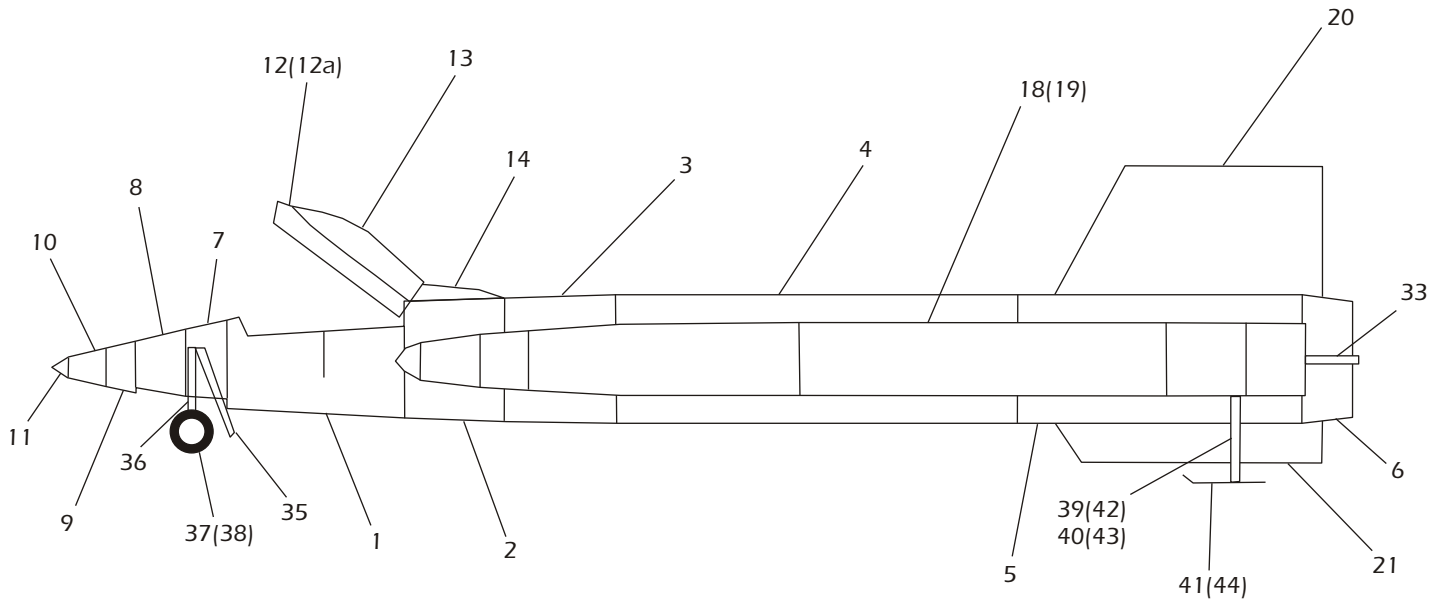


NATIONAL AERONAUTICS  
AND SPACE ADMINISTRATION

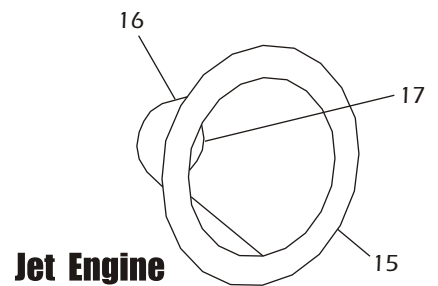
Special Thank to **Ashrunner** who provide all of information of this aircrafts



### INSTRUCTION DIAGRAM



**Cockpit**



**Jet Engine**