

THAI PAPERWORK

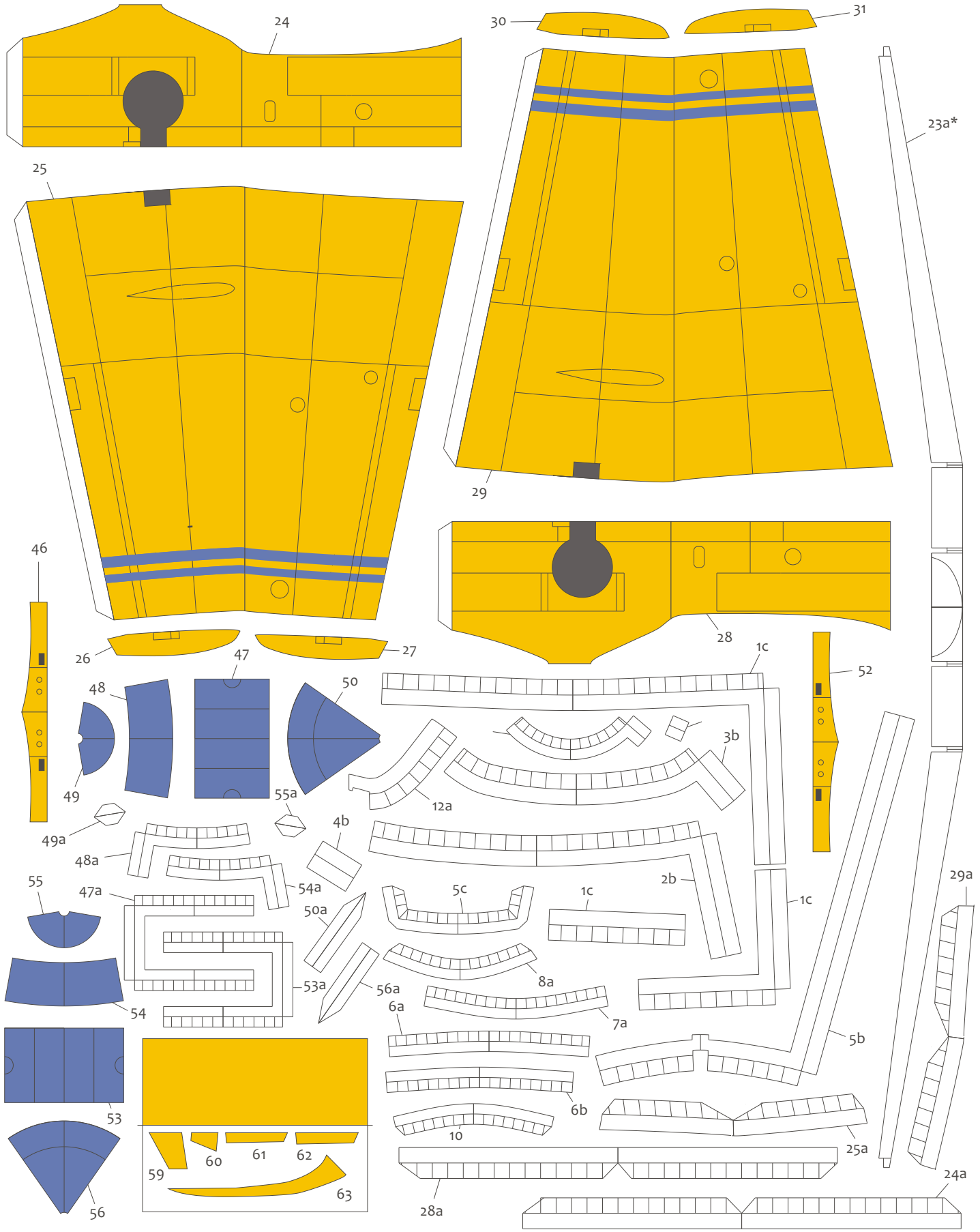
★★★★☆

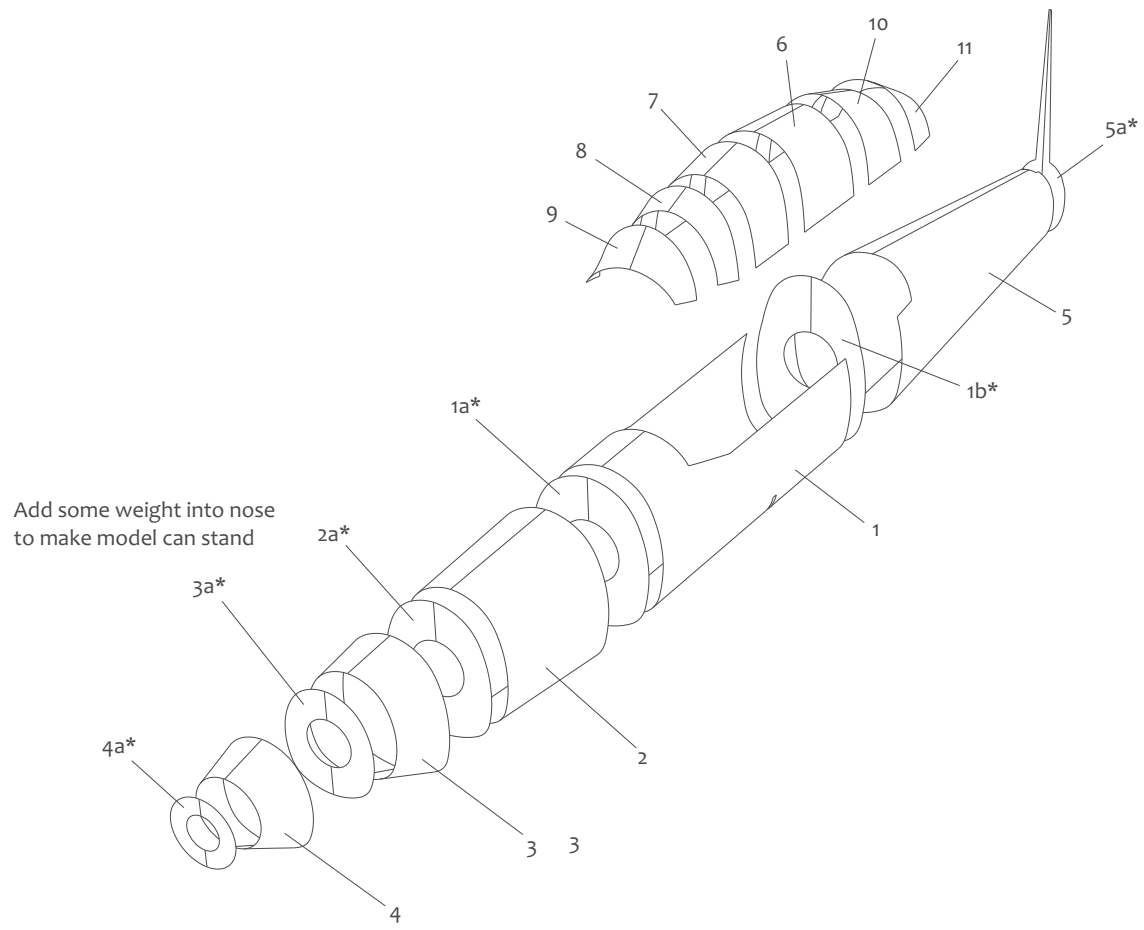
1/48
Scale

Model series 13



Pilatus PC-7





Add some weight into nose to make model can stand

