

## PAPER CRAFT

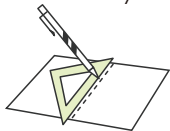
<http://www.canon.com/c-park/en/>



View of completed model

### Assembly Instructions: Seven US letter sheets (No. 1 to No.7)

\*Build the model by carefully reading the Assembly Instructions, in the parts sheet page order.



\*Hint: Trace along the folds with a ruler and an exhausted pen (no ink) to get a sharper, easier fold.

### Assembly Instructions

- Mountain fold(dotted line)**  
Make a mountain fold.
- Valley fold(dashed and dotted line)**  
Make a valley fold.
- Scissors line(solid line)**  
Cut along the line.
- Cut in line(solid line)**  
Cut along the line.
- Glue**  
The glue spot(colored dot) shows where to apply the glue.
- Glue spot(Red dot)**  
Glue parts with the same number together.
- Glue spot(Green dot)**  
Glue within the same part.
- Glue spot(Blue dot)**  
Glue to the rear of the other part.

#### Tools and materials

Scissors, set square, glue(We recommend stick glue), pencil, used ballpoint pen, toothpicks, tweezers, (useful for handling small parts)

#### Assembly tip

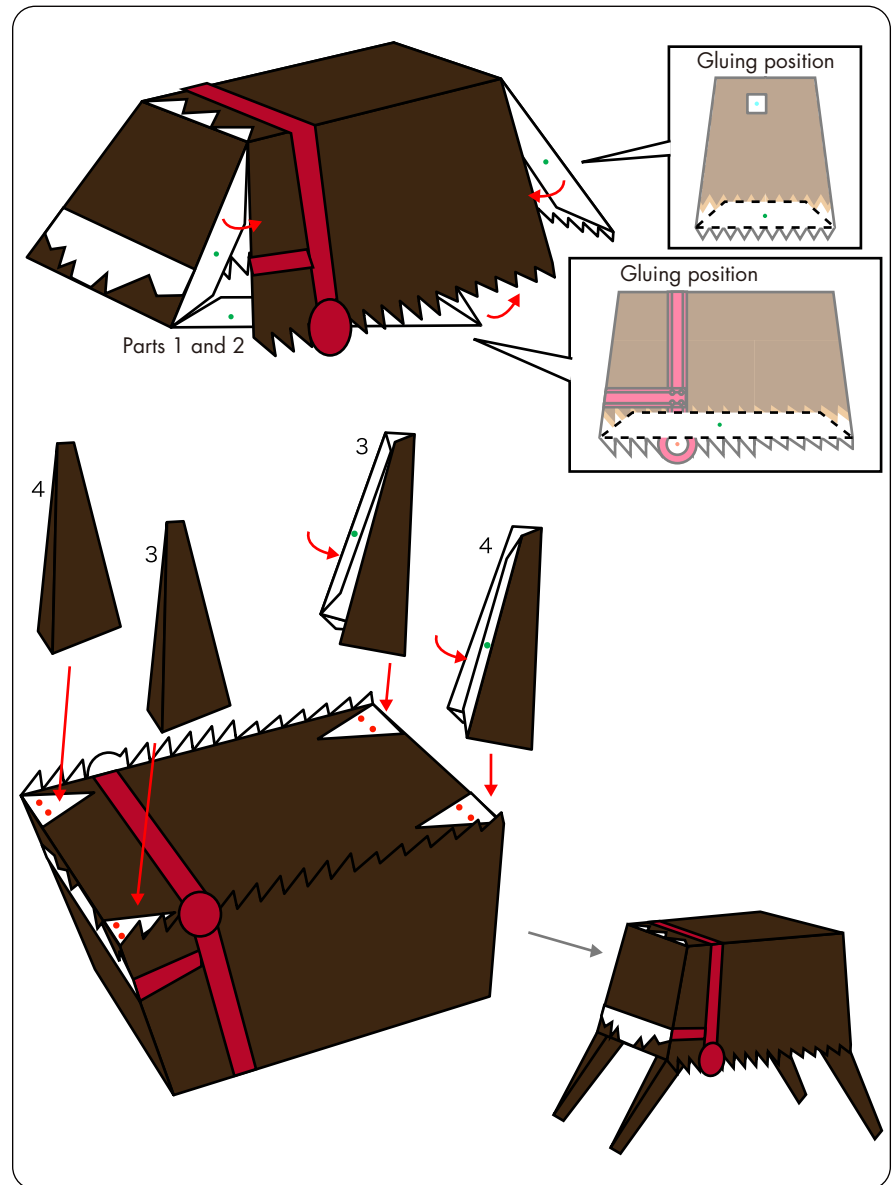
Before gluing, crease the paper along mountain fold and valley fold lines and make sure rounded sections are nice and stiff.

#### Caution

Glue, scissors and other tools may be dangerous to young children so be sure to keep them out of the reach of young children.

Before starting assembly: Writing the number of each section on its back side before cutting out the sections is highly recommended.  
(\* This way, you can be sure which section is which even after cutting out the sections.)

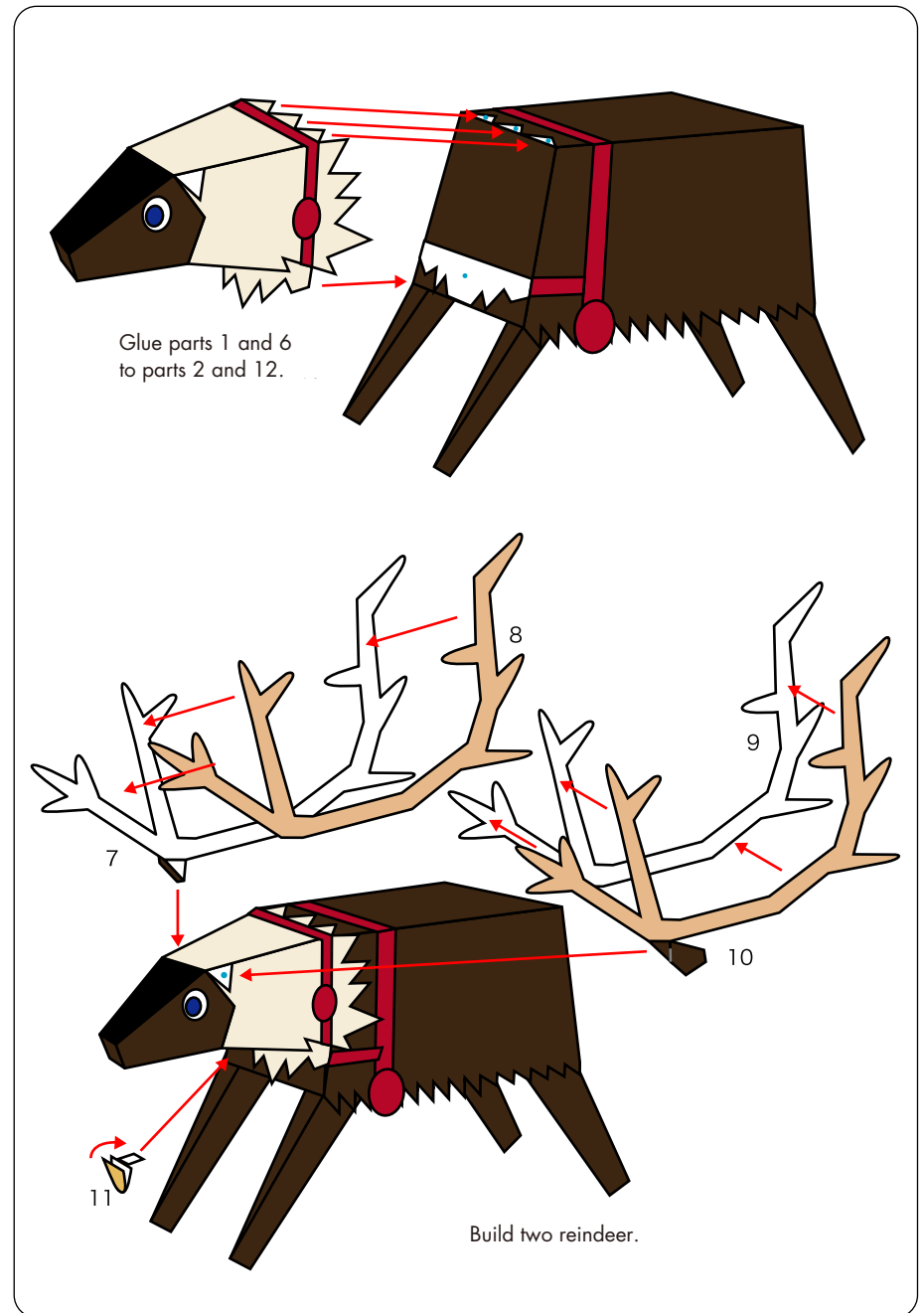
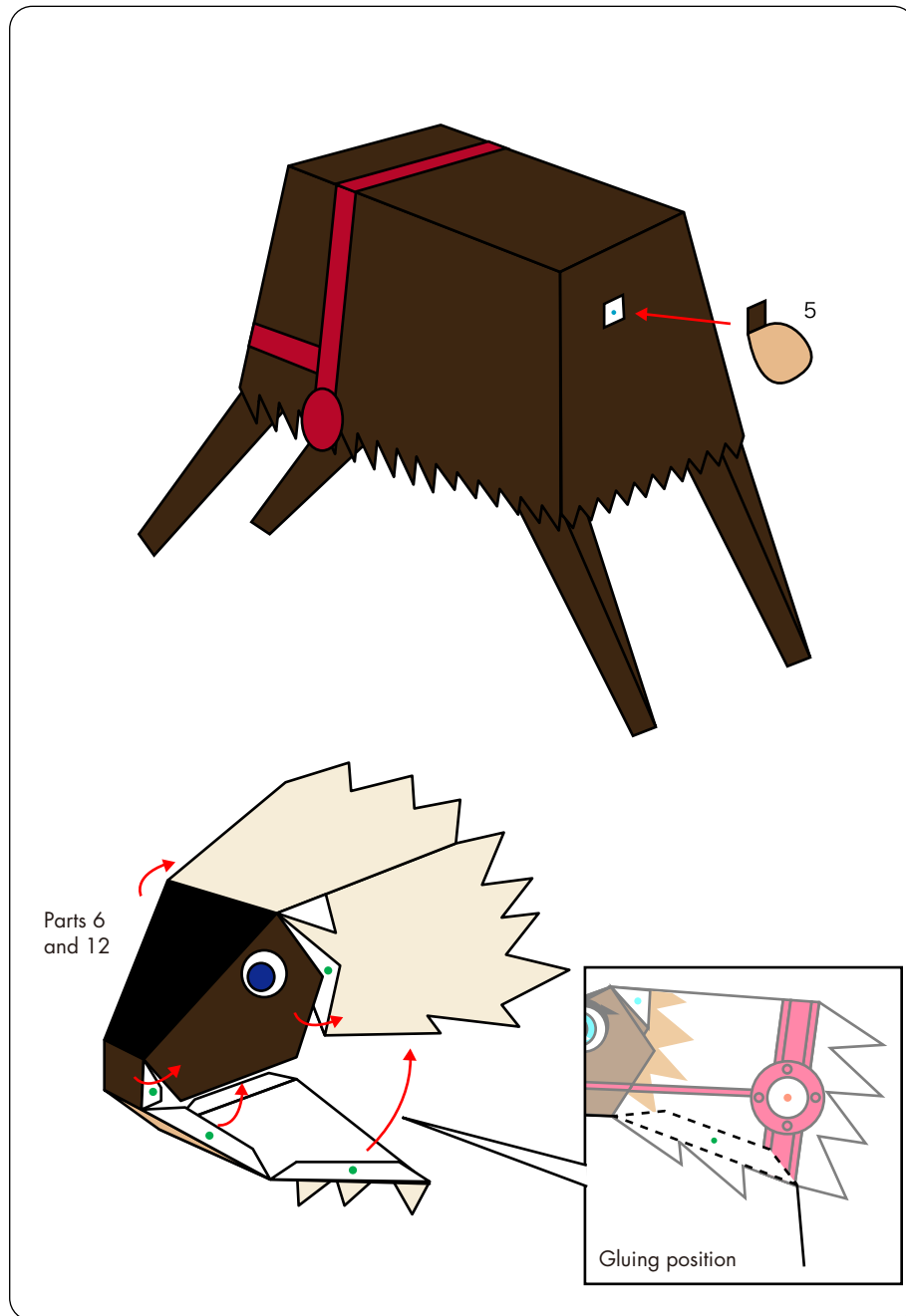
- Indicates where sections should be glued together.
- Indicates where to insert sections. Do not glue the sections together.



# Santa Claus in his sleigh: Assembly Instructions

© Canon Inc. © T. Ichiyama

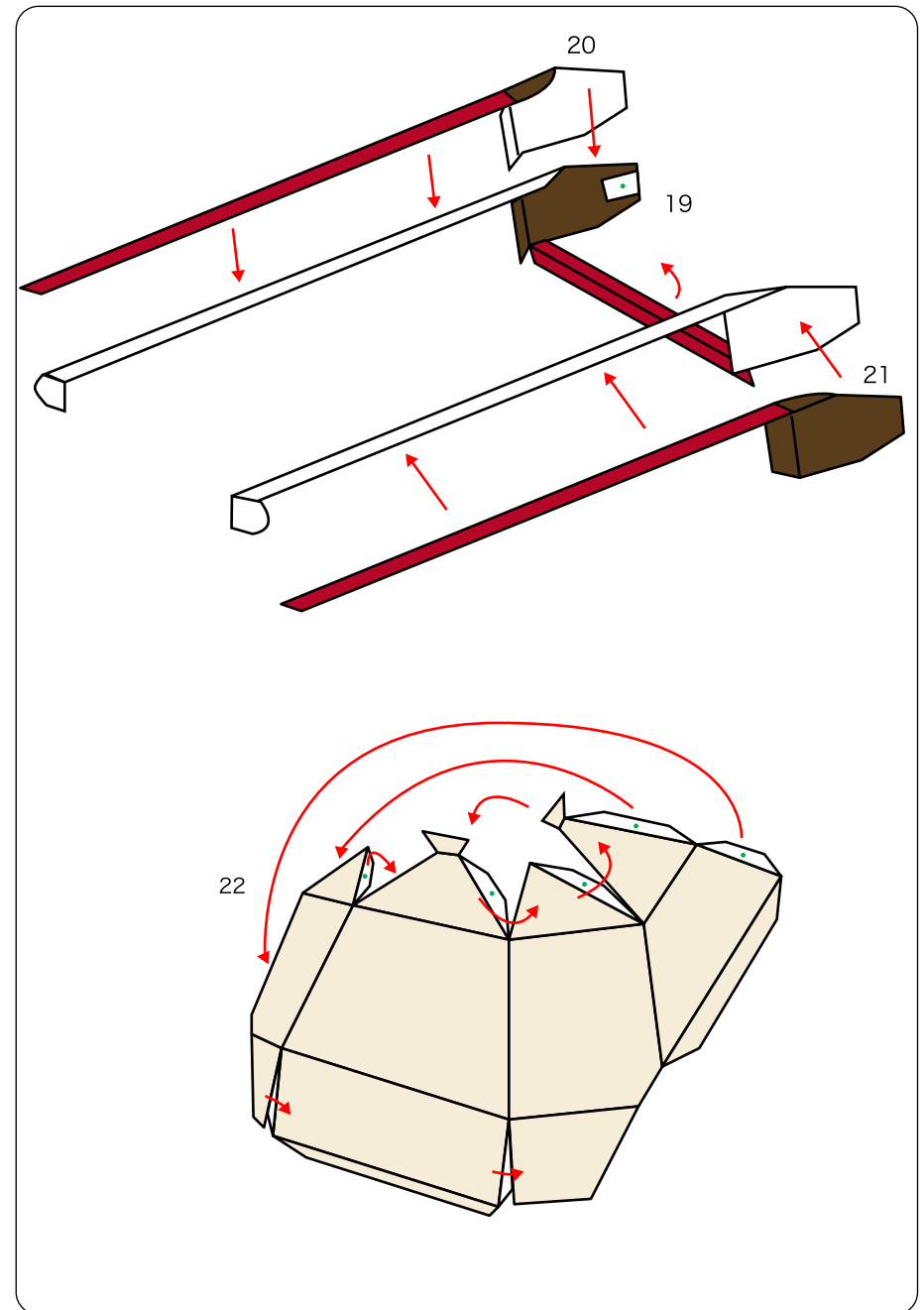
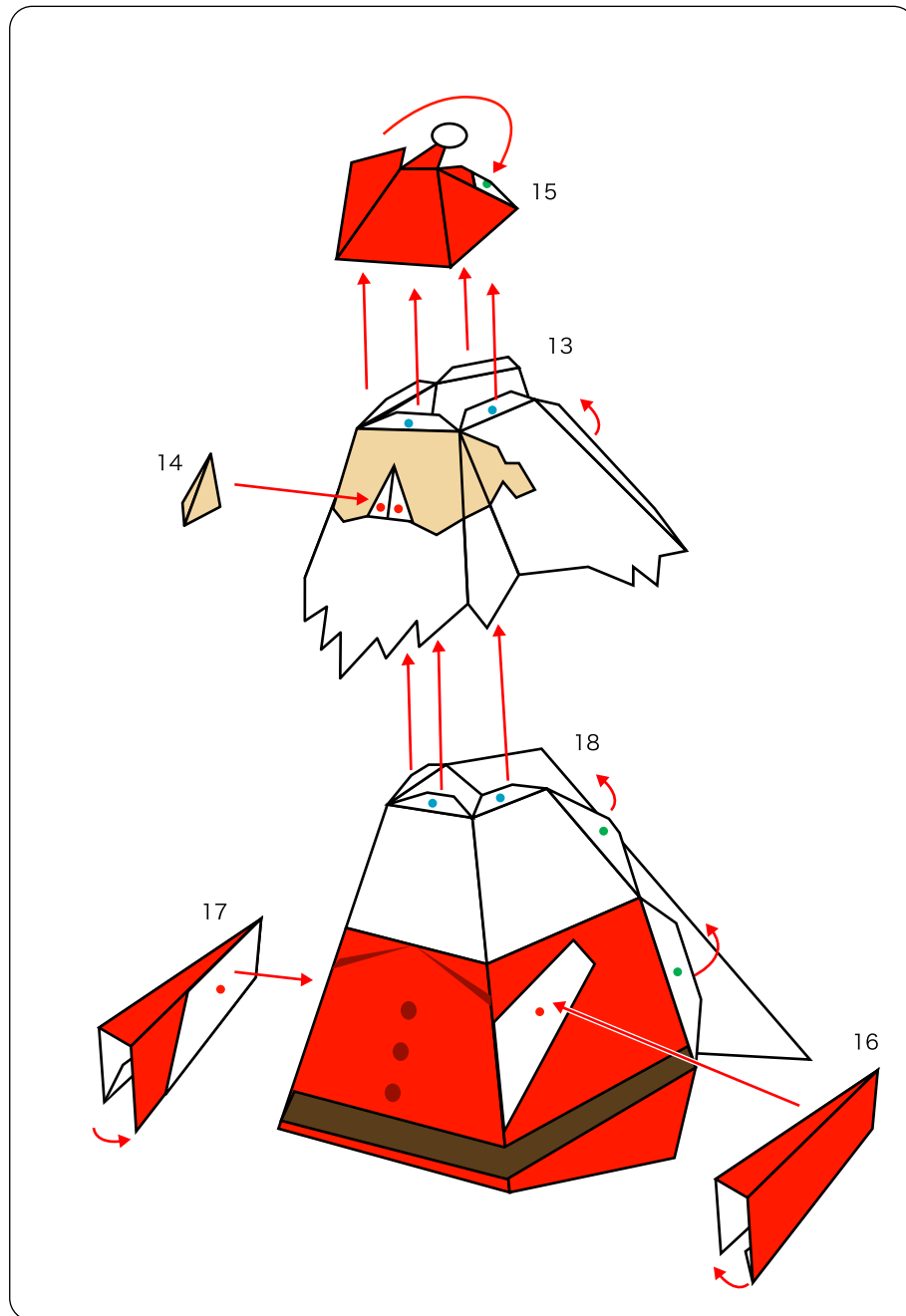
Canon



# Santa Claus in his sleigh: Assembly Instructions

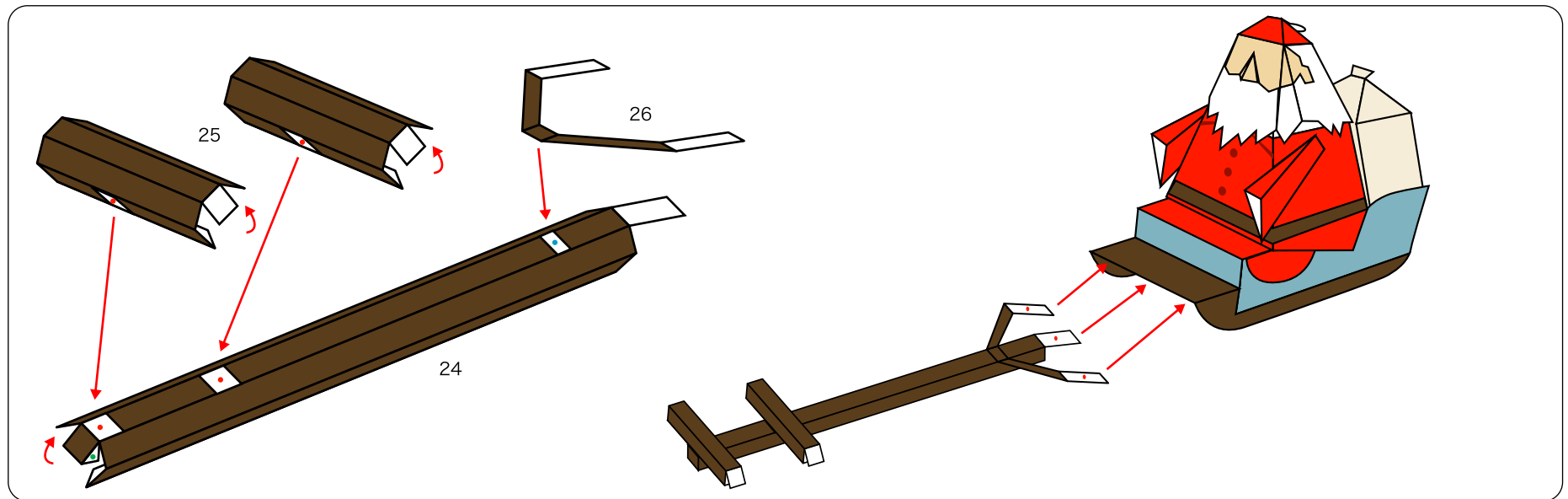
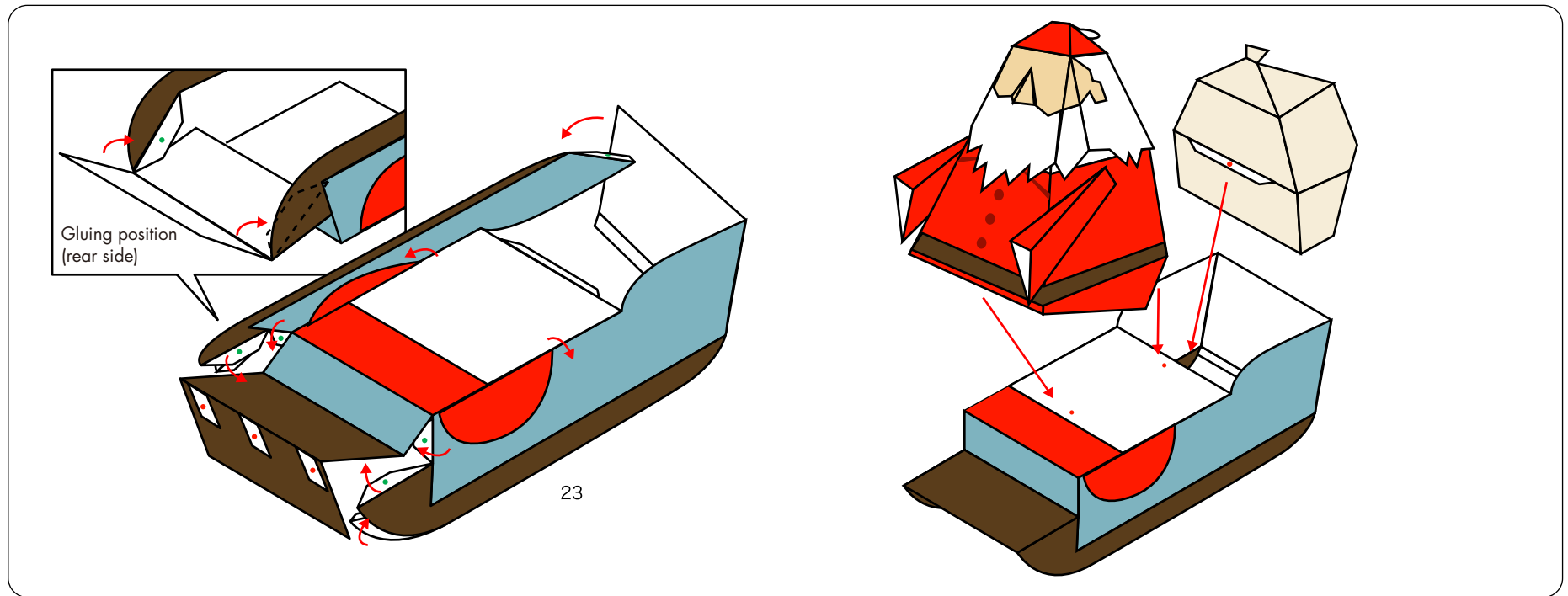
© Canon Inc. © T. Ichiyama

Canon



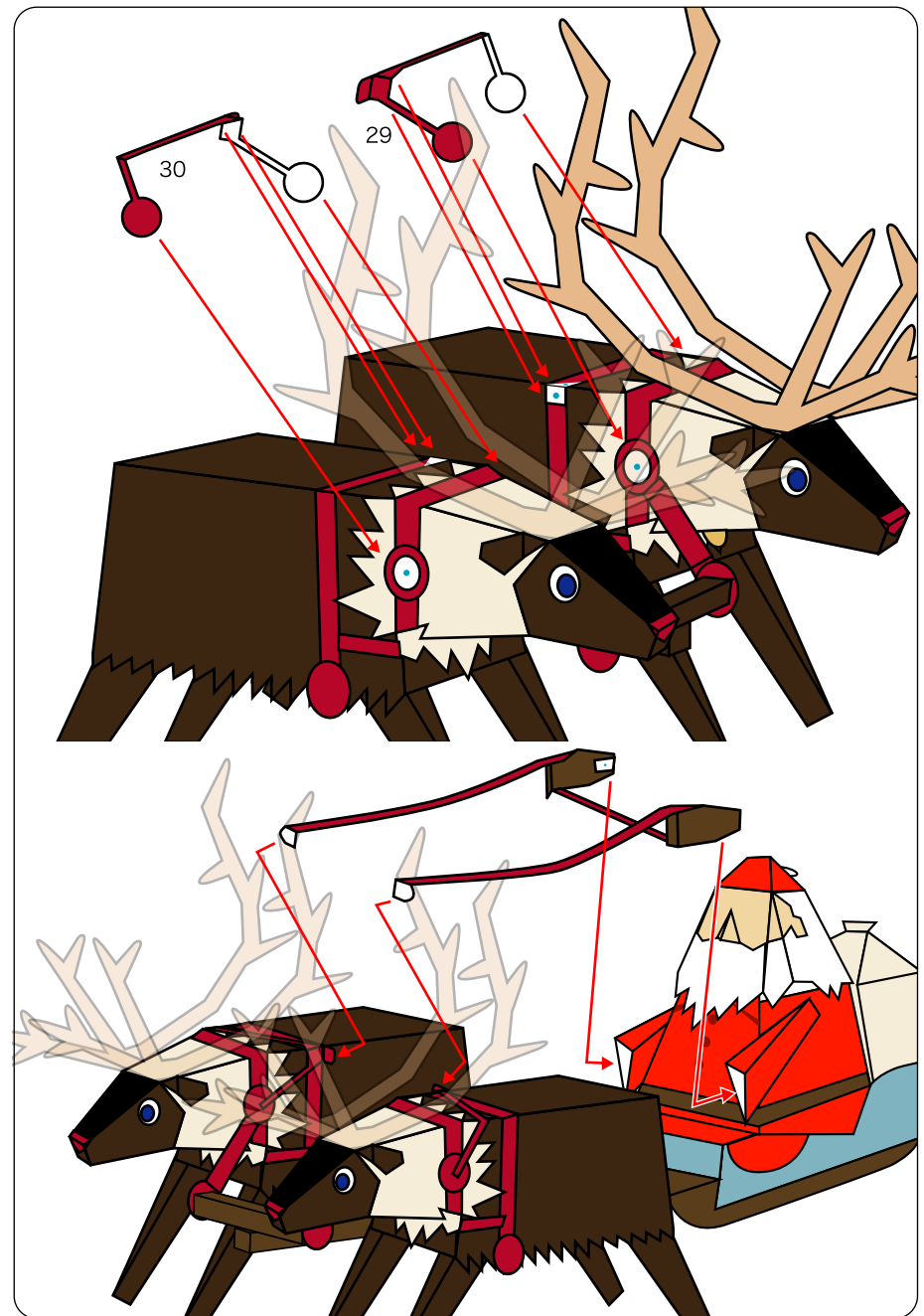
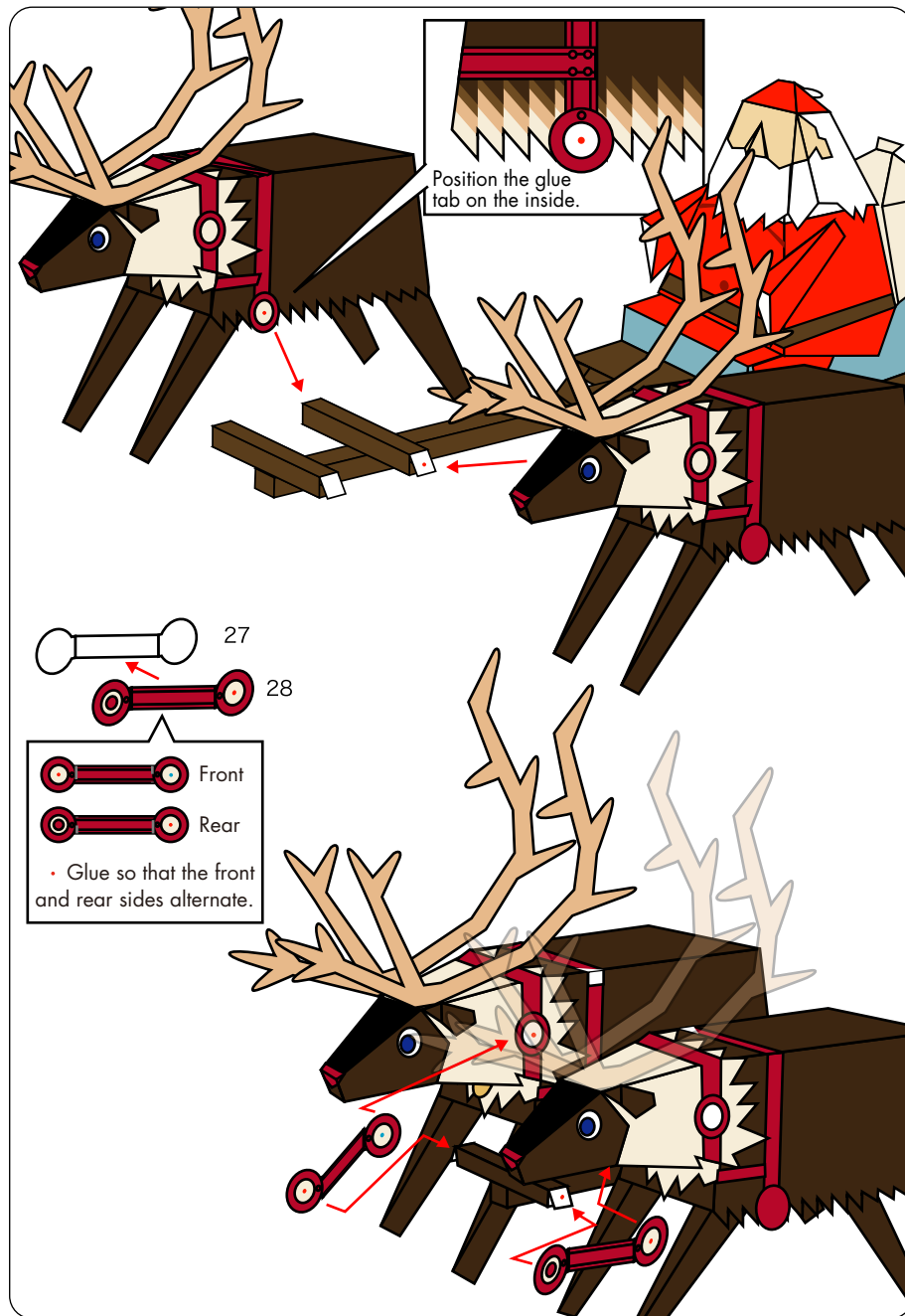
# Santa Claus in his sleigh: Assembly Instructions

© Canon Inc. © T. Ichiyama



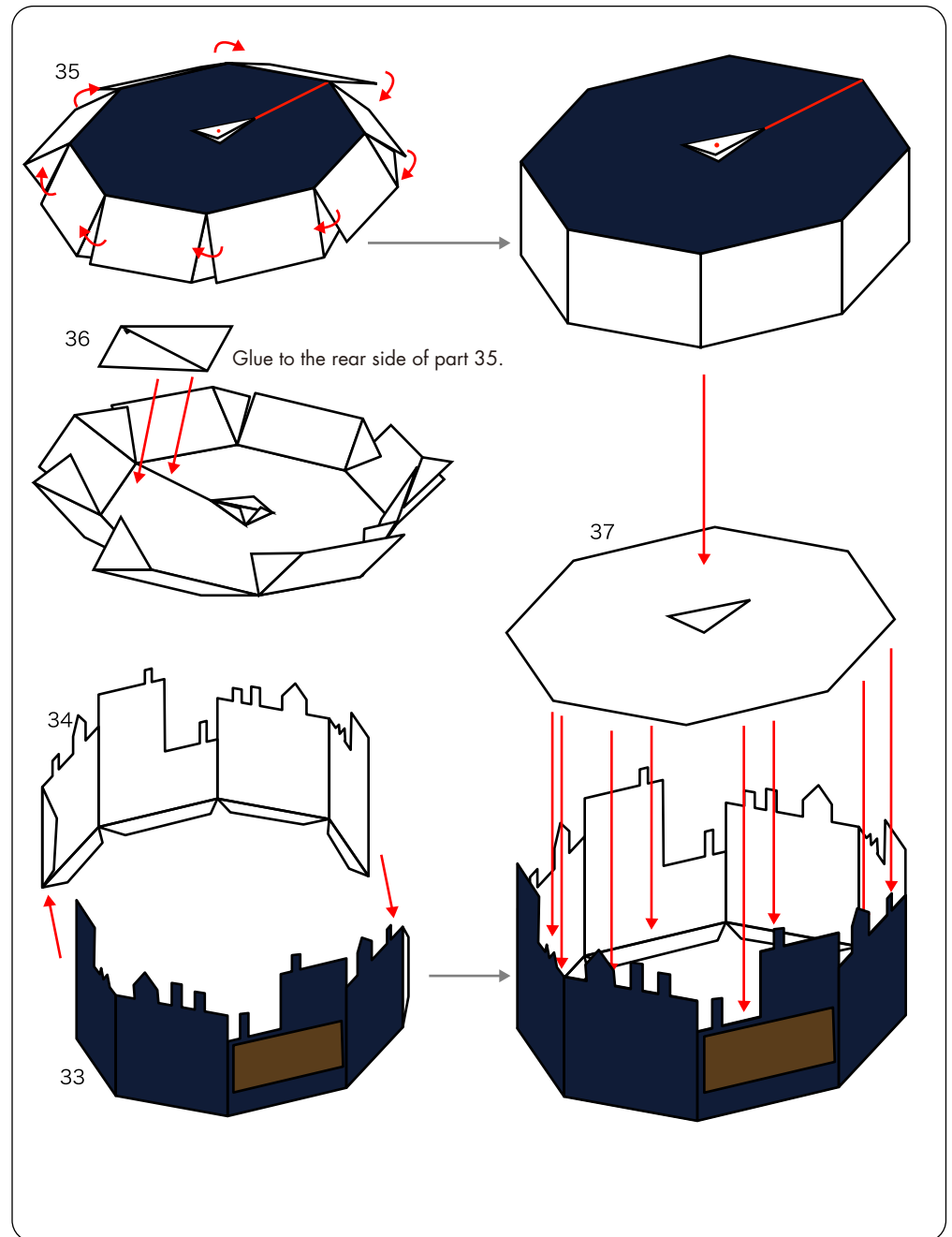
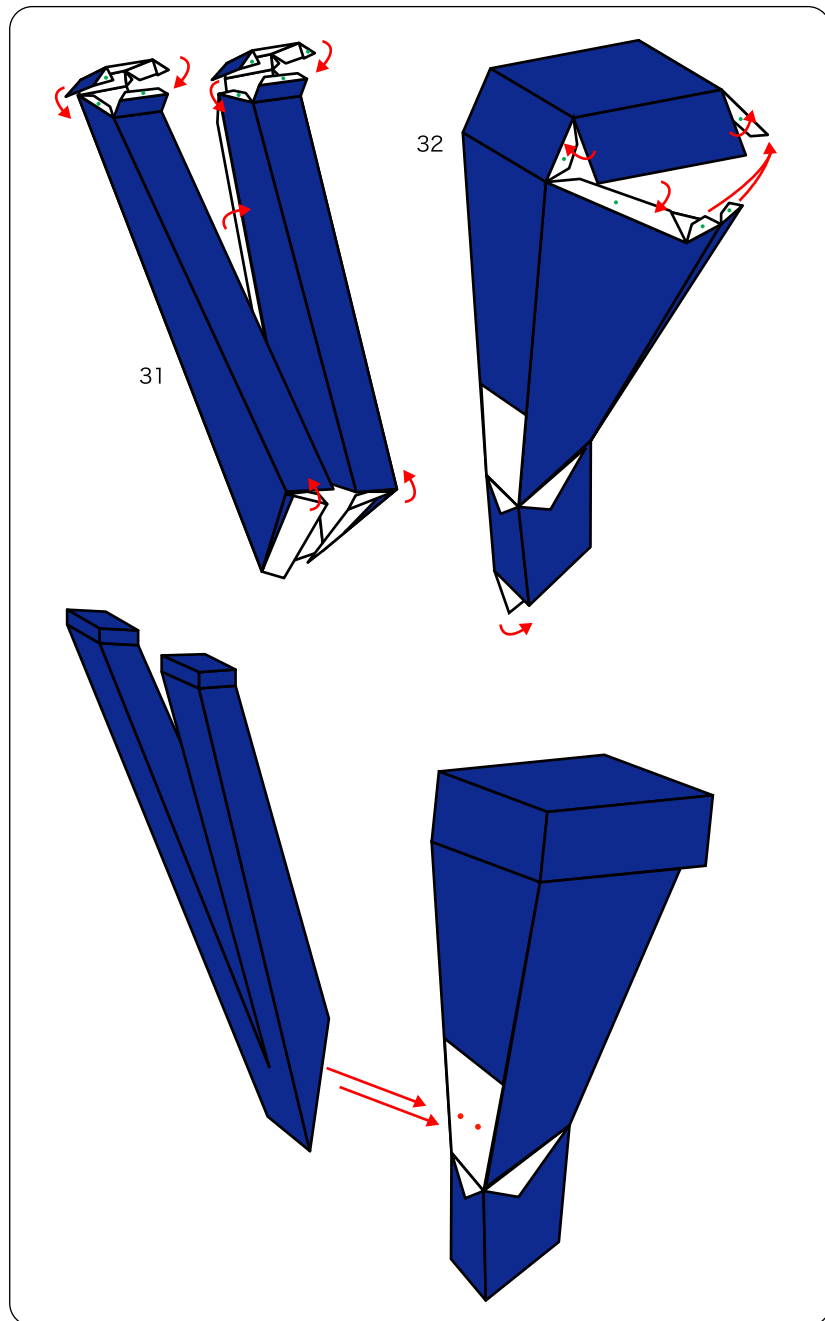
# Santa Claus in his sleigh: Assembly Instructions

© Canon Inc. © T. Ichiyama



# Santa Claus in his sleigh: Assembly Instructions

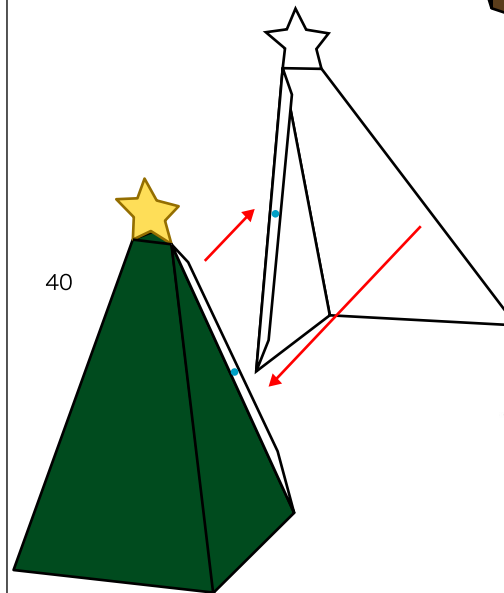
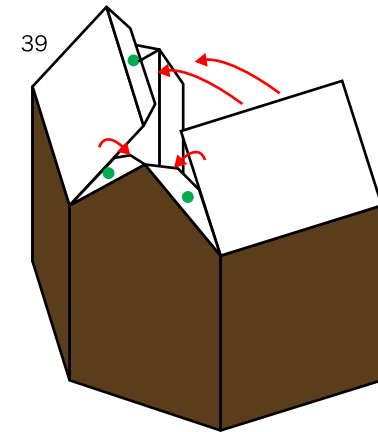
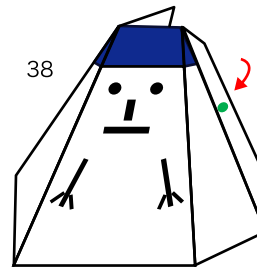
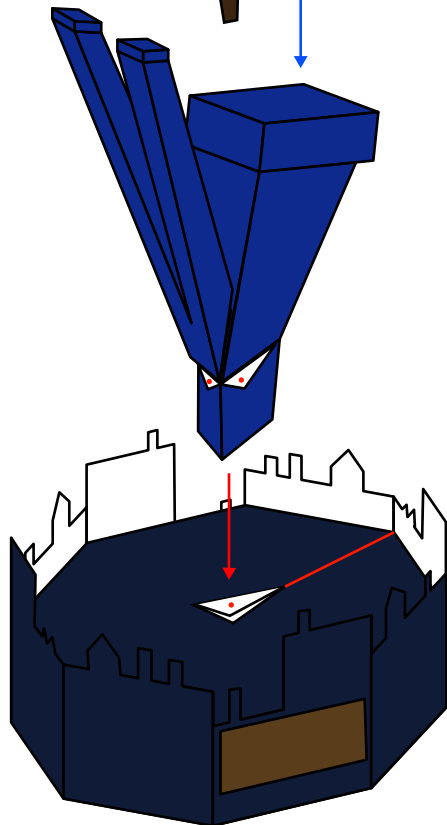
© Canon Inc. © T. Ichiyama



# Santa Claus in his sleigh: Assembly Instructions

© Canon Inc. © T. Ichiyama

Canon



Position the Christmas tree,  
the cottage,  
and the snowman on the stand.  
Your model is finished!