

Santa Claus's house : Assembly Instructions

©Canon Inc. ©Ohkuma Mitsuo



PAPER CRAFT

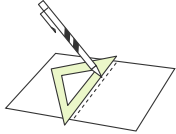
<http://www.canon.com/c-park/en/>



View of completed model

■ Assembly Instructions : Eighteen US letter sheets (No.1 to No.18)

* Build the model by carefully reading the Assembly Instructions , in the parts sheet page order.



*Hint:Trace along the folds with a ruler and an exhausted pen (no ink) to get a sharper, easier fold.

Assembly Instructions



----- **Mountain fold (dotted line)**
Make a mountain fold.



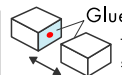
----- **Valley fold (dashed and dotted line)**
Make a valley fold.



— **Scissors line (solid line)**
Cut along the line.



— **Cut in line (solid line)**
Cut along the line.



Glue
The glue spot (colored dot) shows where to apply the glue.

- **Glue spot (Red dot)**
Glue parts with the same number together.
- **Glue spot (Green dot)**
Glue within the same part.
- **Glue spot (Blue dot)**
Glue to the rear of the other part.

Tools and materials



Scissors, set square, glue (We recommend stick glue), pencil, used ballpoint pen, toothpicks, tweezers, (useful for handling small parts)

Assembly tip



Before gluing, create the paper along mountain fold and valley fold lines and make sure rounded sections are nice and stiff.

Caution



Glue, scissors and other tools may be dangerous to young children so be sure to keep them out of the reach of young children.

Before starting assembly: Writing the number of each section on its back side before cutting out the sections is highly recommended.
(* This way, you can be sure which section is which even after cutting out the sections.)

- Indicates where sections should be glued together.
- Indicates where to insert sections. Do not glue the sections together.

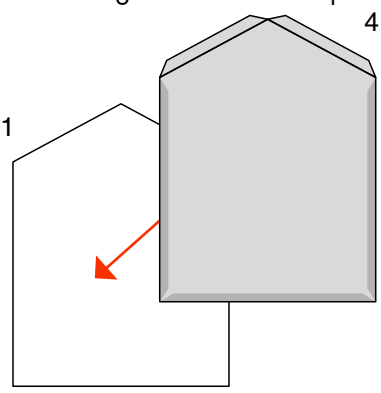


Santa Claus's house : Assembly Instructions

©Canon Inc. ©Ohkuma Mitsuo

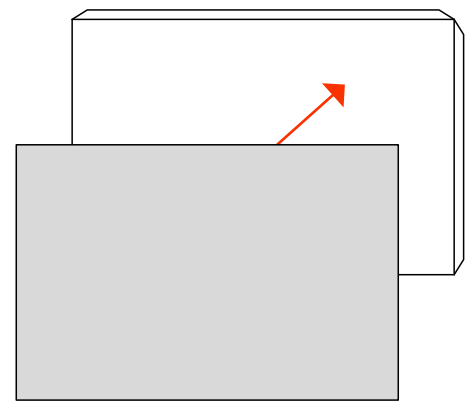


1 Assembling the exterior side piece

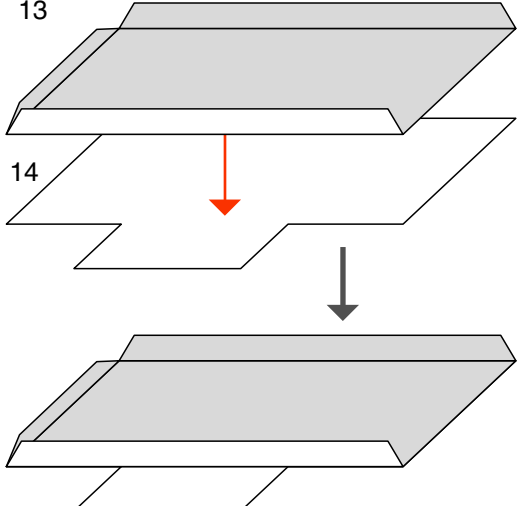


* Since parts whose entire rear sides are glued to each other tend to develop wavy surfaces as the glue dries, after gluing these parts together place a book or similar item on top while they dry.

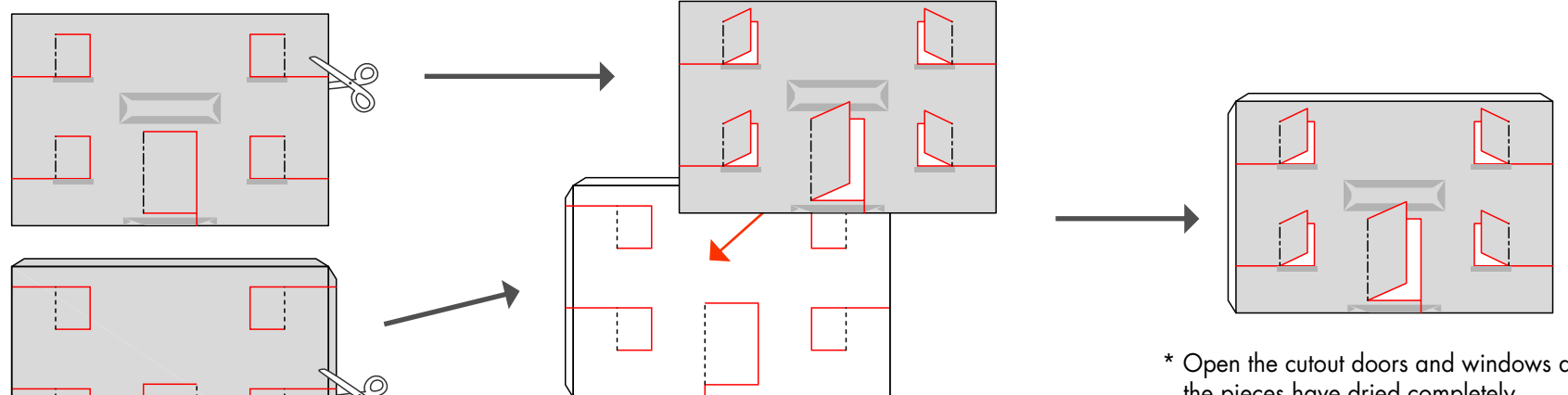
2 Assembling the exterior rear piece



3 Assembling the exterior bottom piece

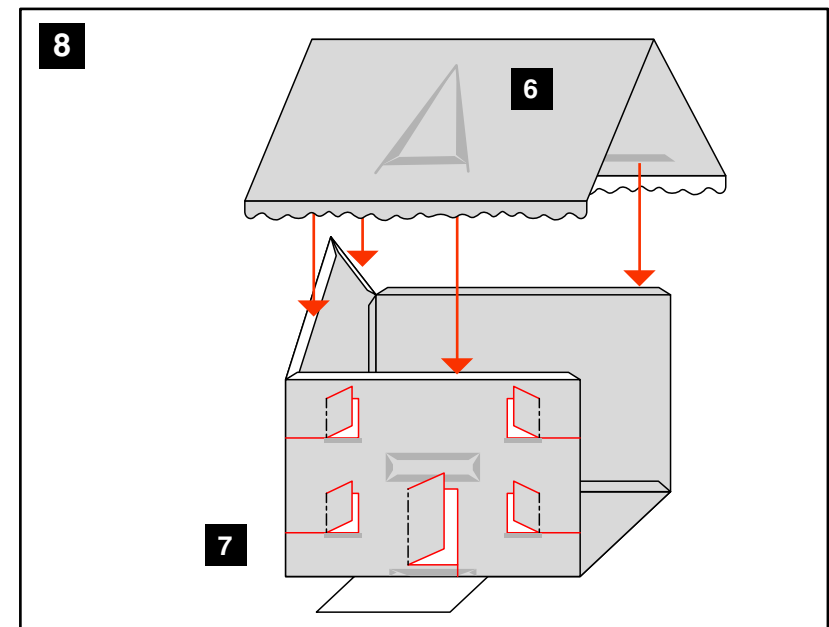
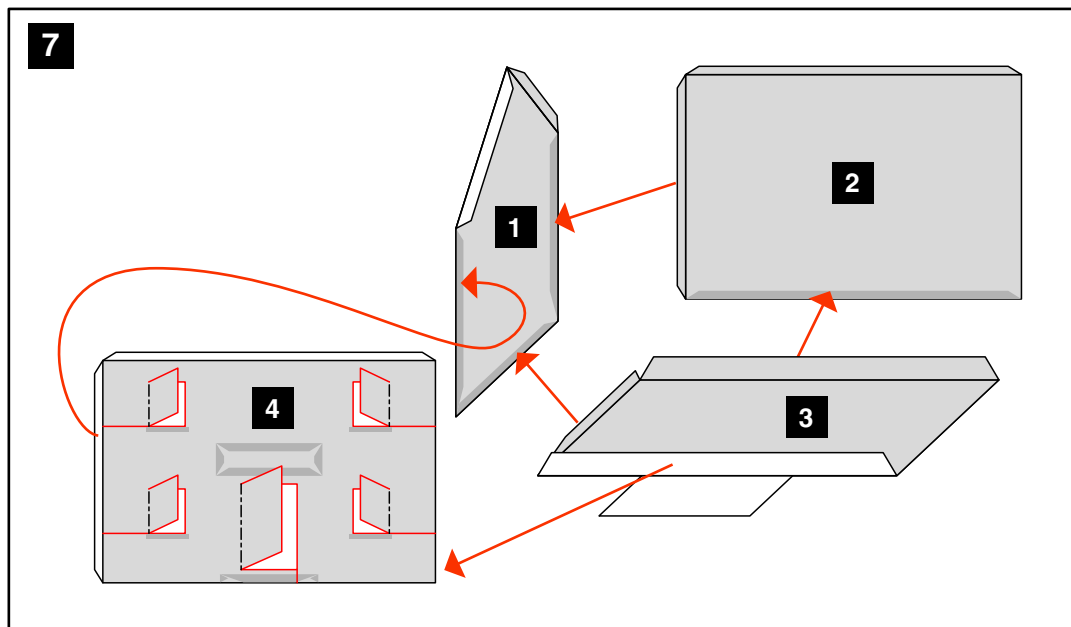
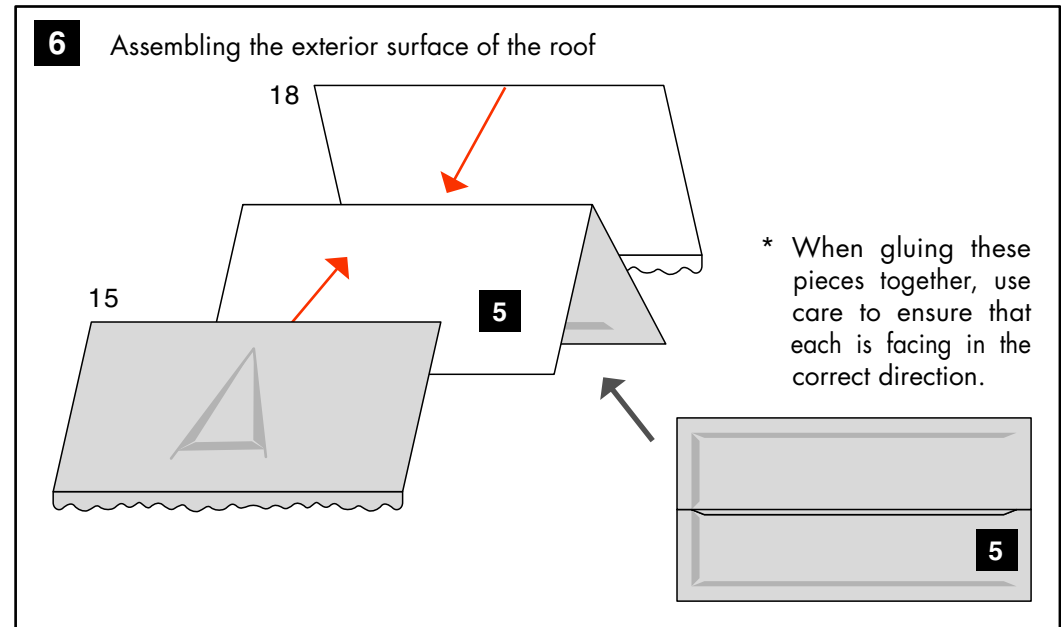
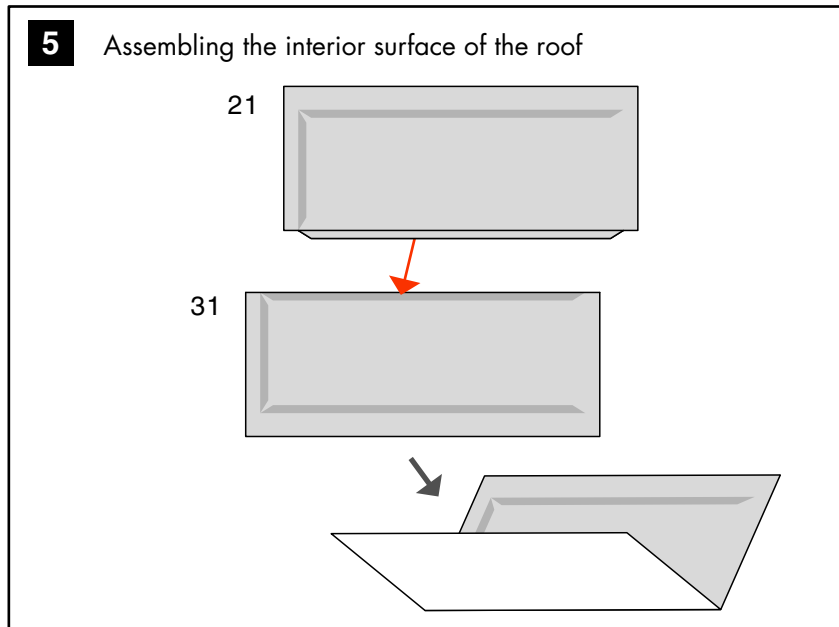


4 Assembling the exterior front piece



* After folding the cutout doors and windows, return them to their original positions and glue the doors and windows together.

* Open the cutout doors and windows after the pieces have dried completely.

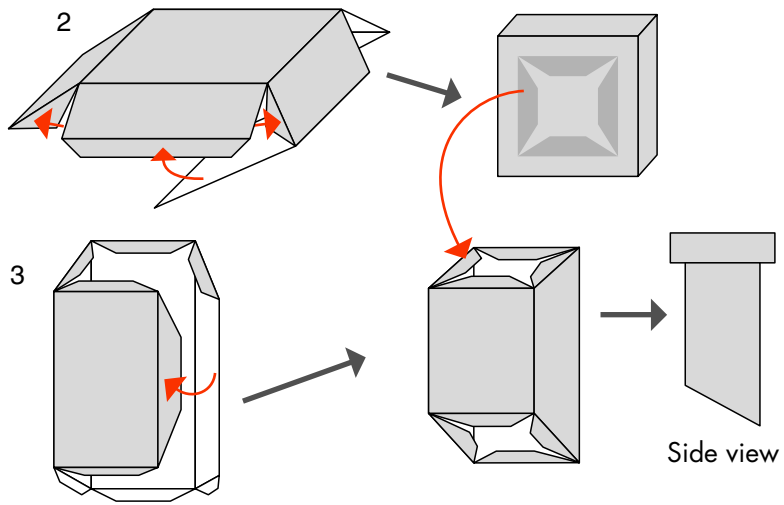


Santa Claus's house : Assembly Instructions

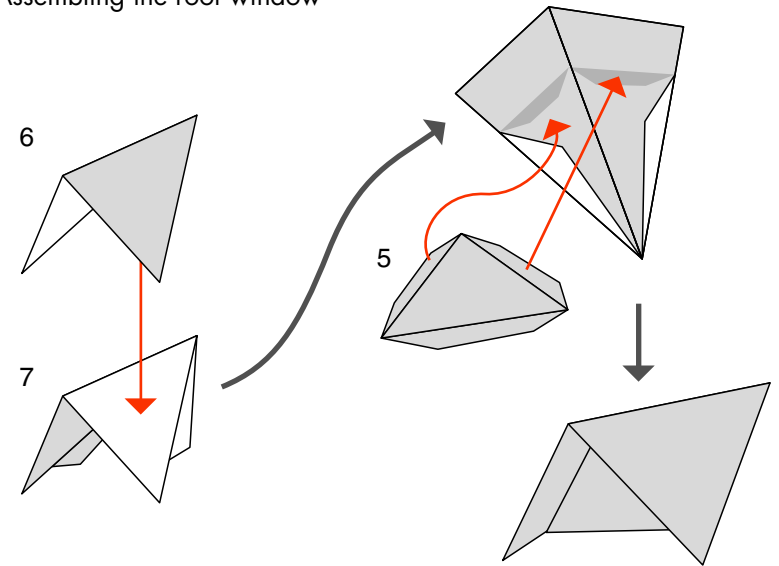
©Canon Inc. ©Ohkuma Mitsuo



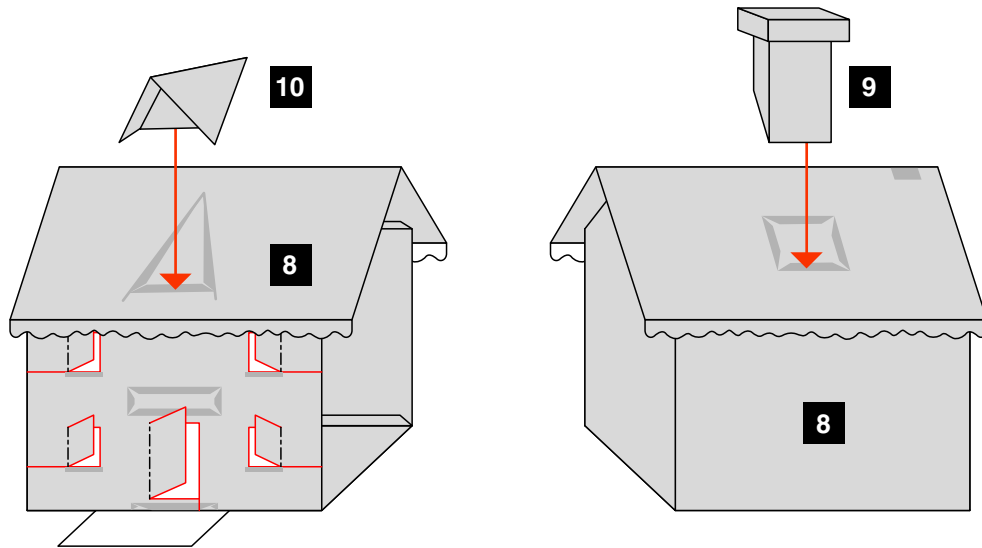
9 Assembling the chimney



10 Assembling the roof window

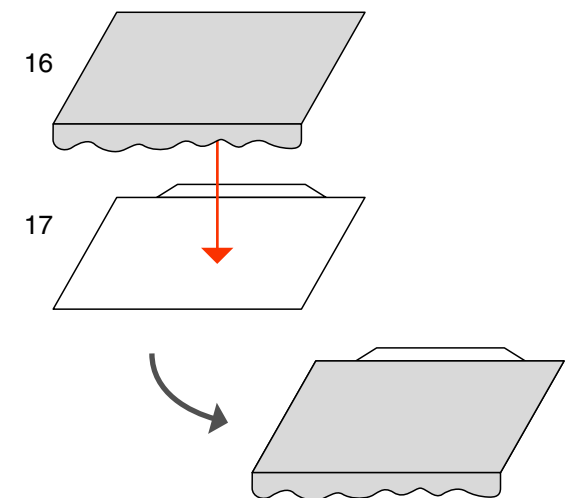


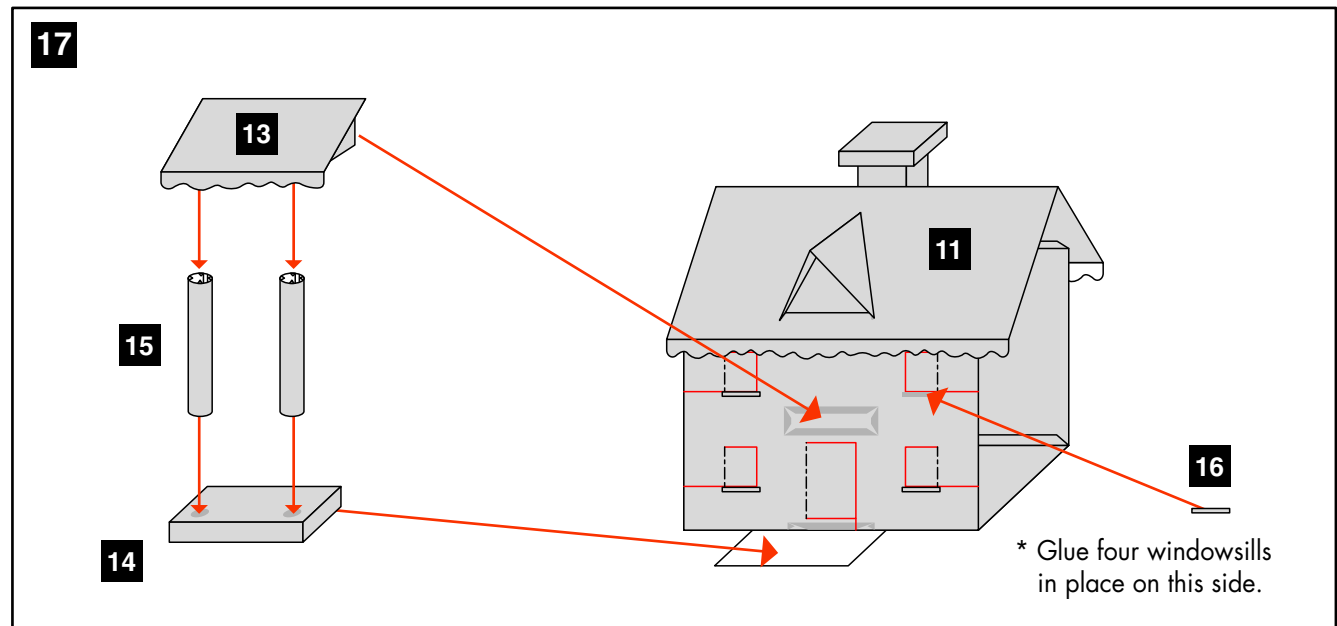
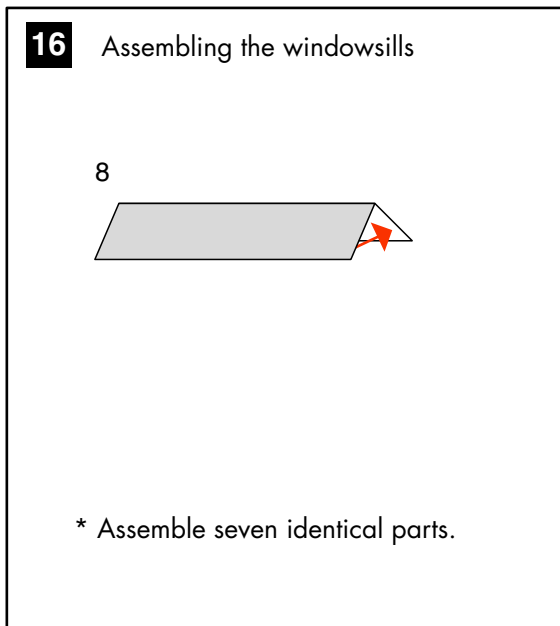
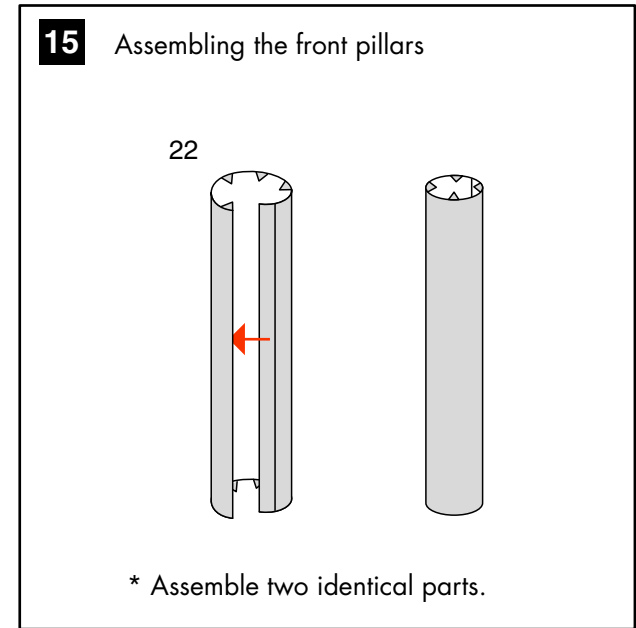
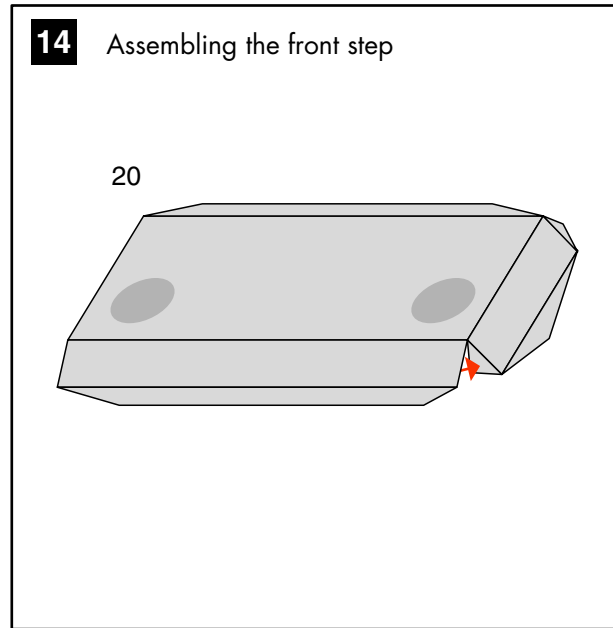
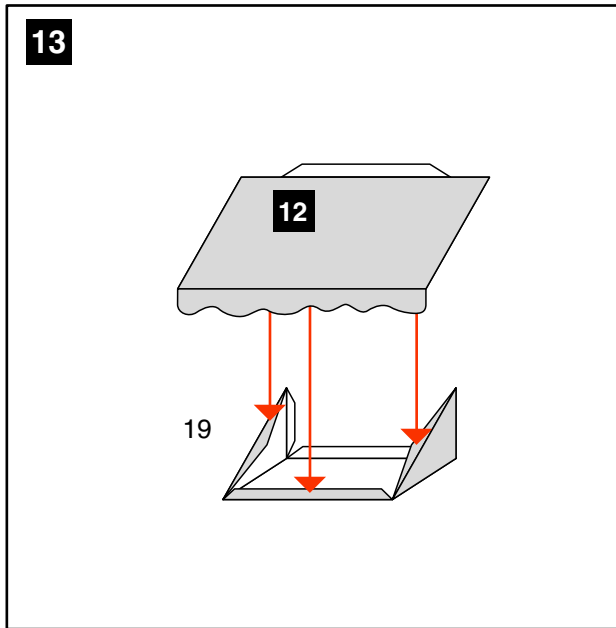
11



12

Assembling the front porch roof





18 Assembling the side surface

32

16 * Glue three windowsills in place on this side.

19 Assembling the shelves

44

45 46

* Using the tip of a toothpick or a similar tool, apply small amounts of glue to the edges of these parts.

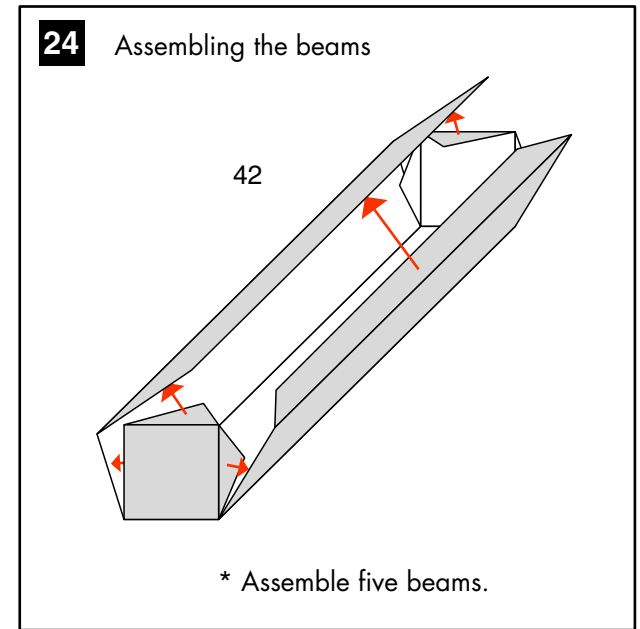
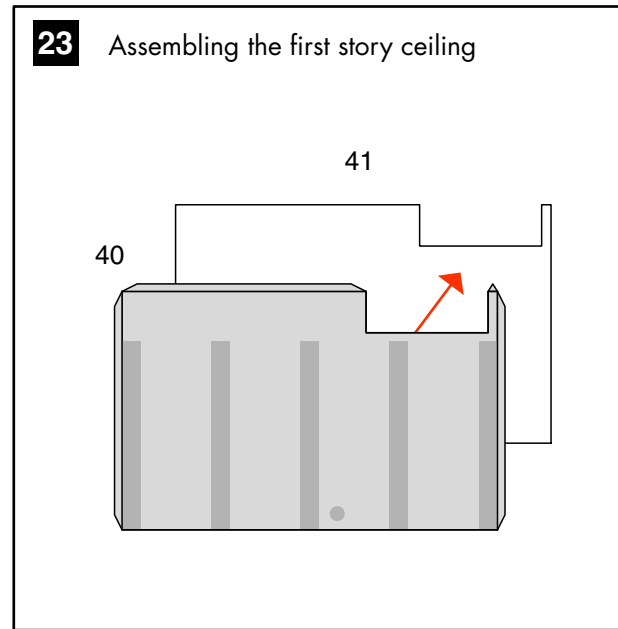
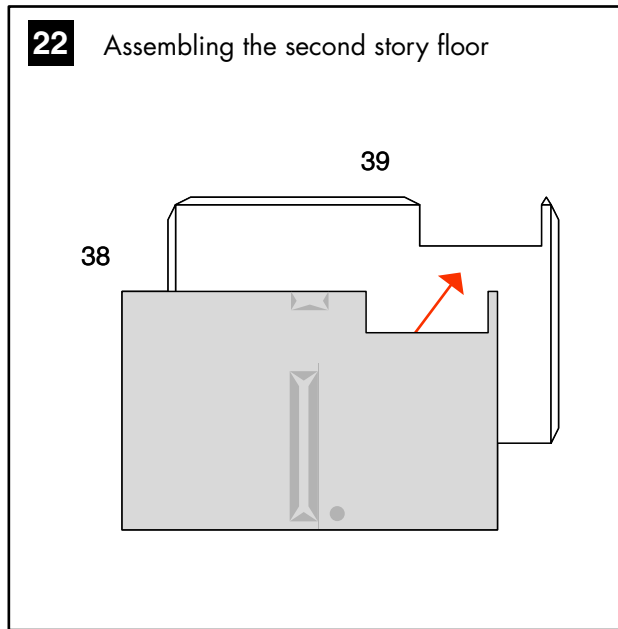
20 Assembling the rear side

34 35

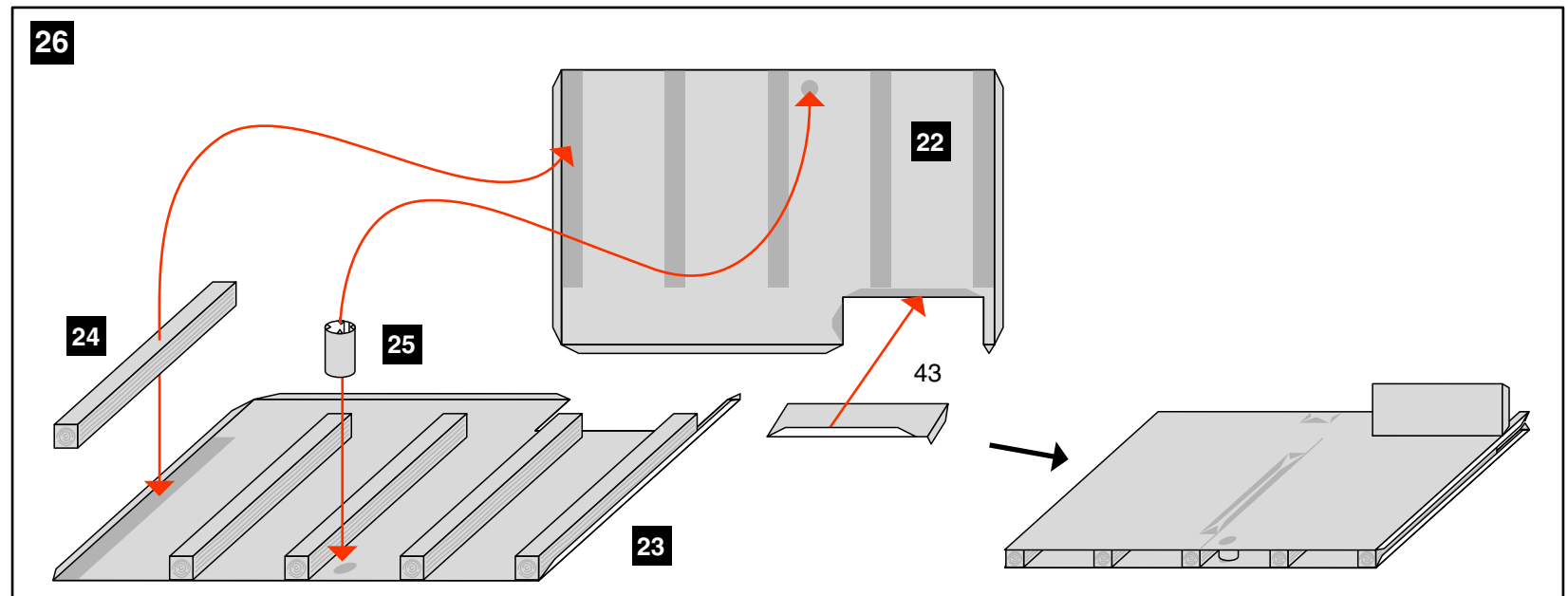
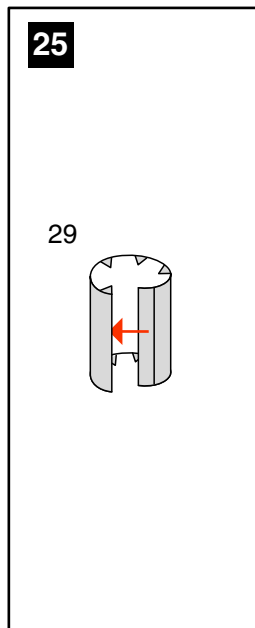
21

33

20



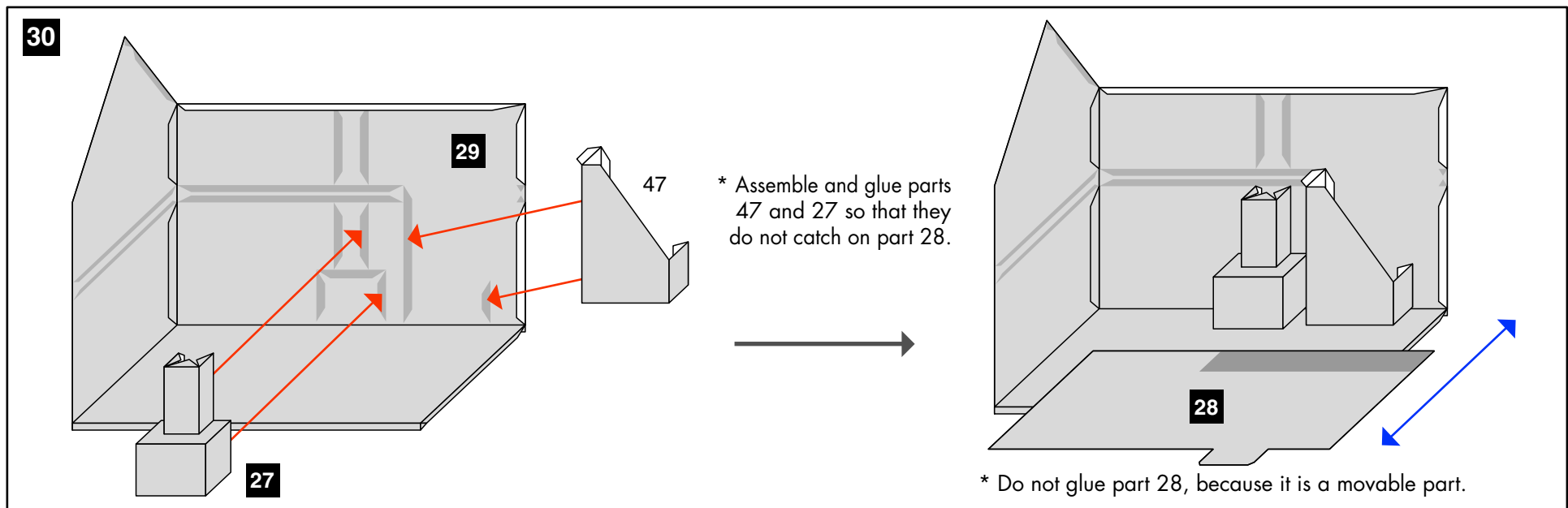
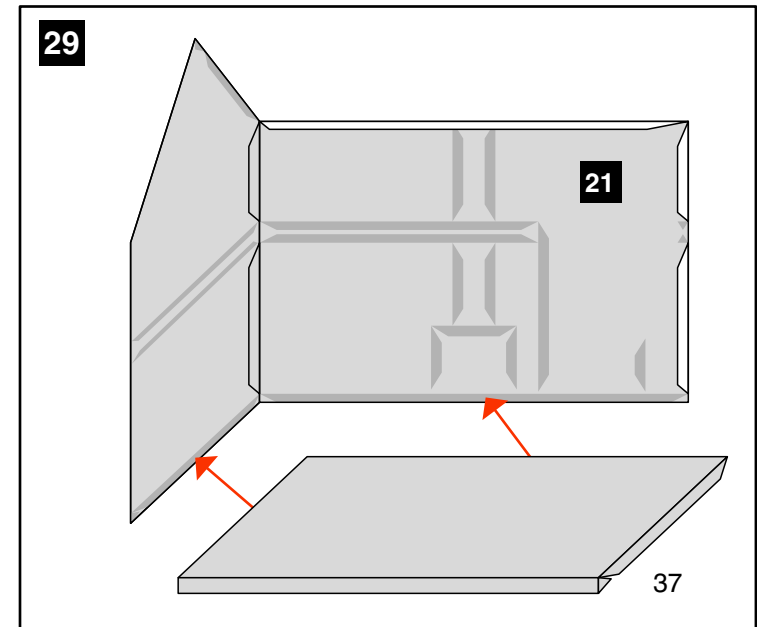
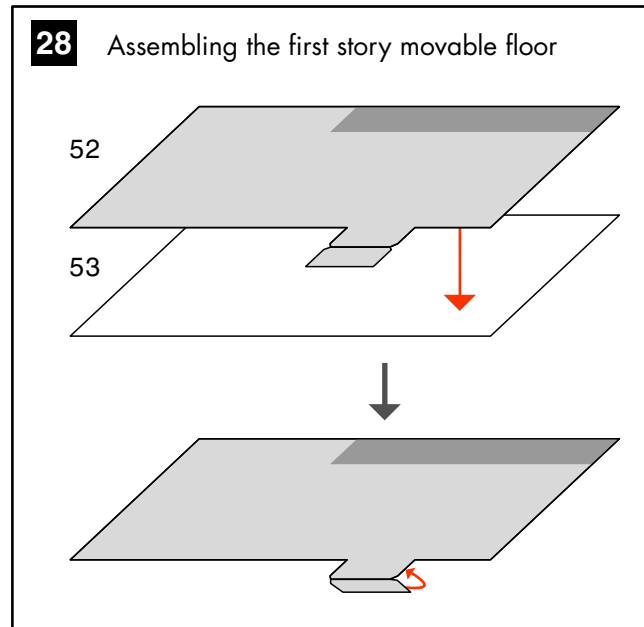
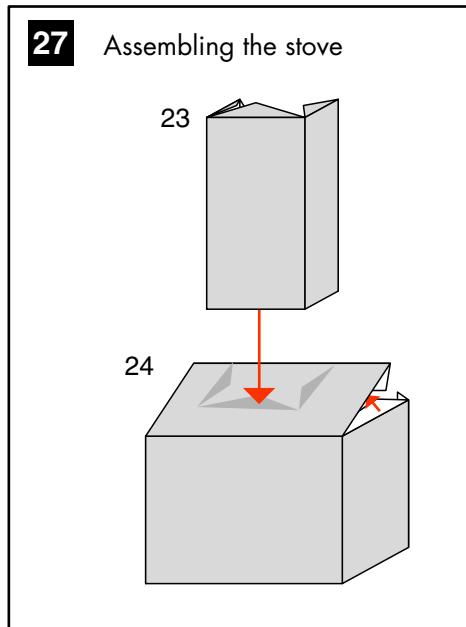
* Assemble five beams.

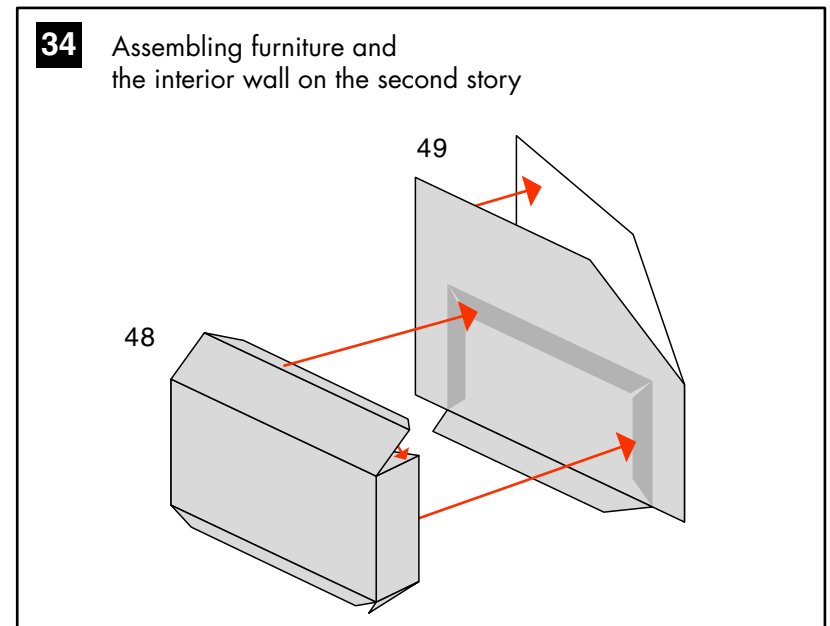
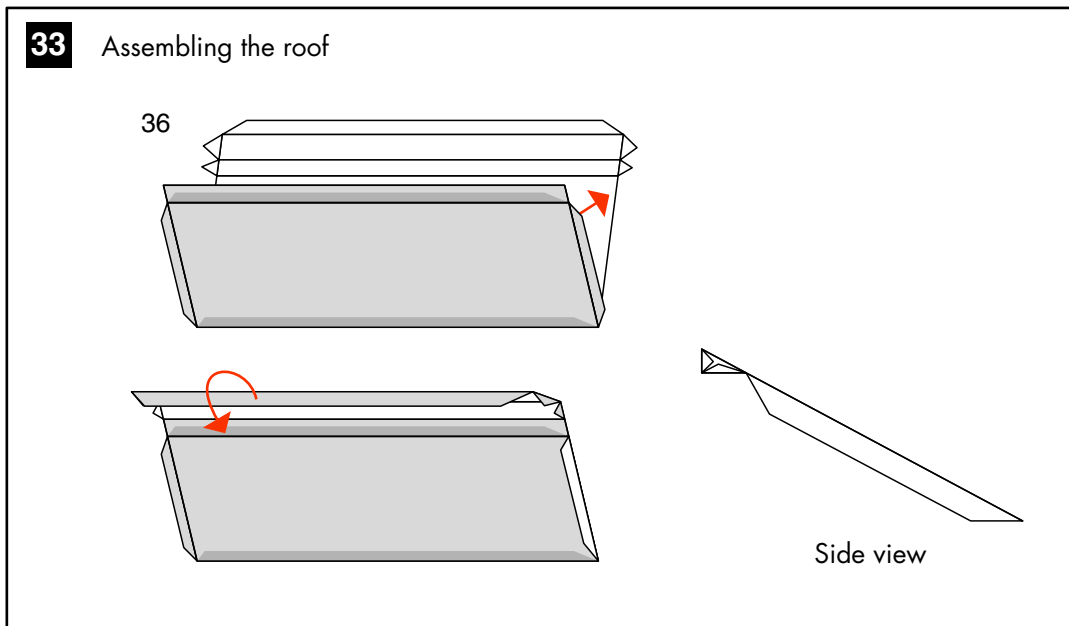
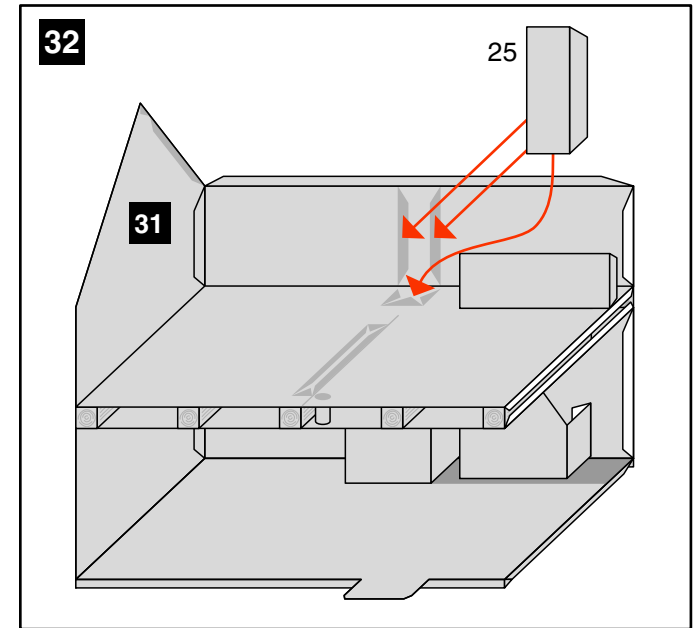
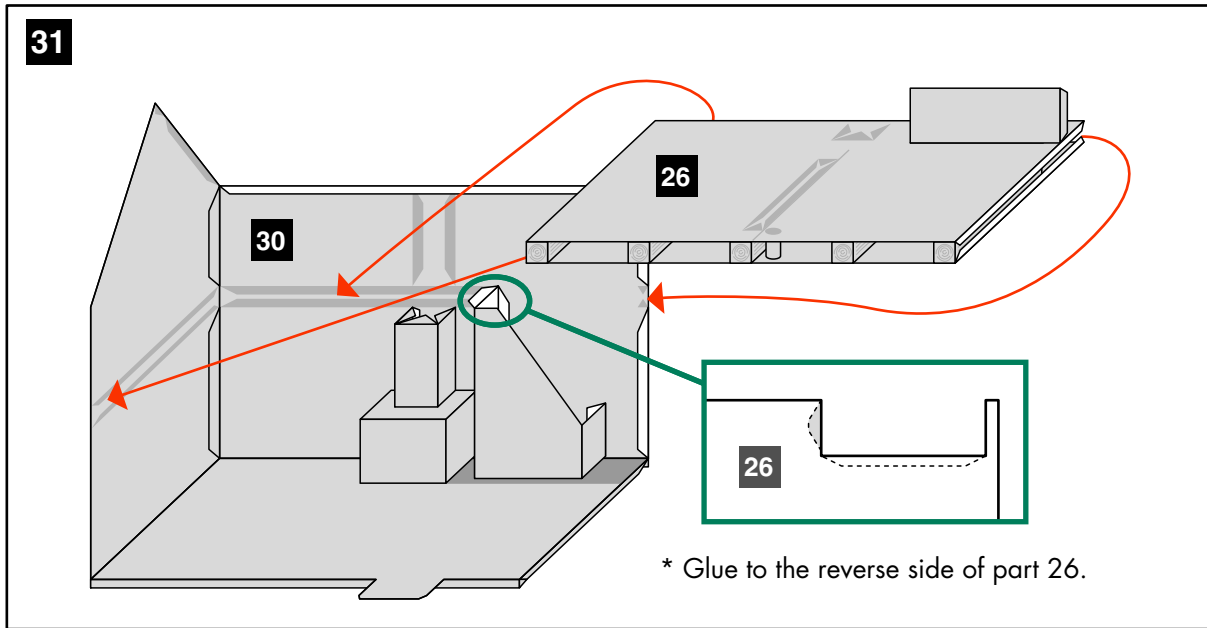


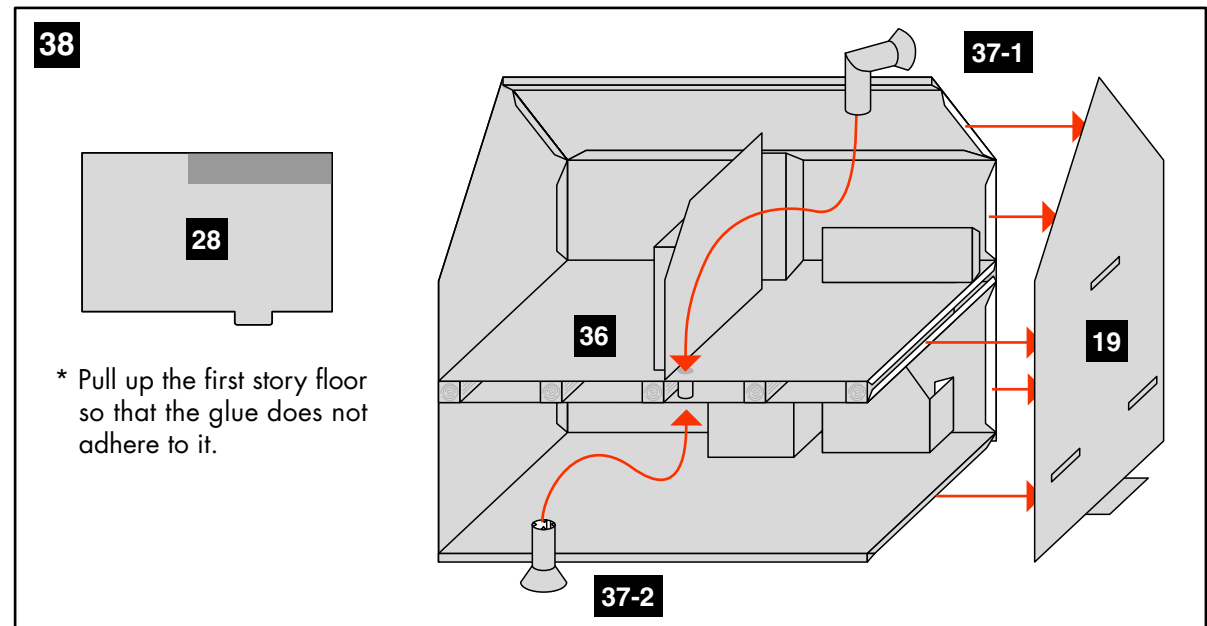
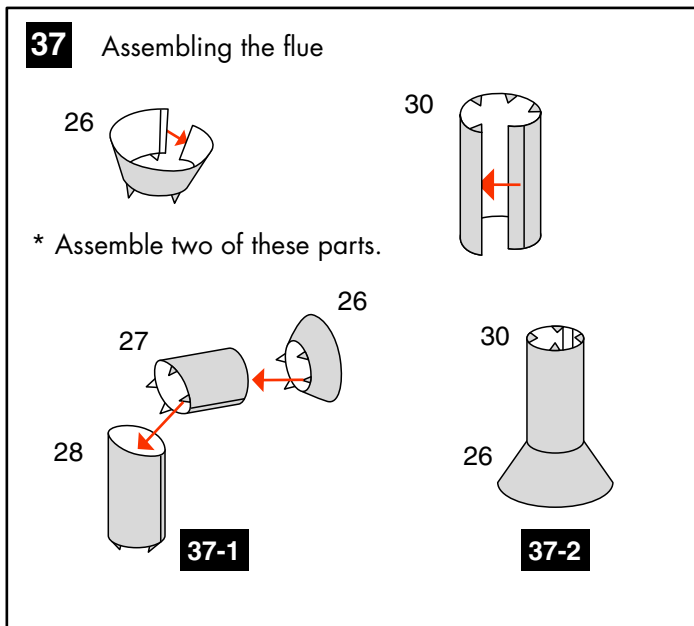
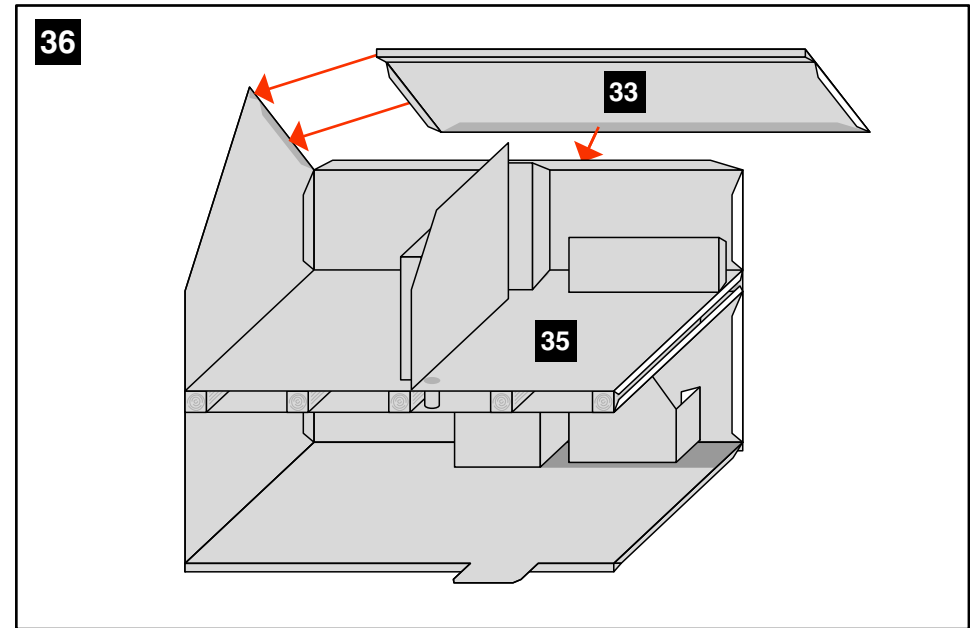
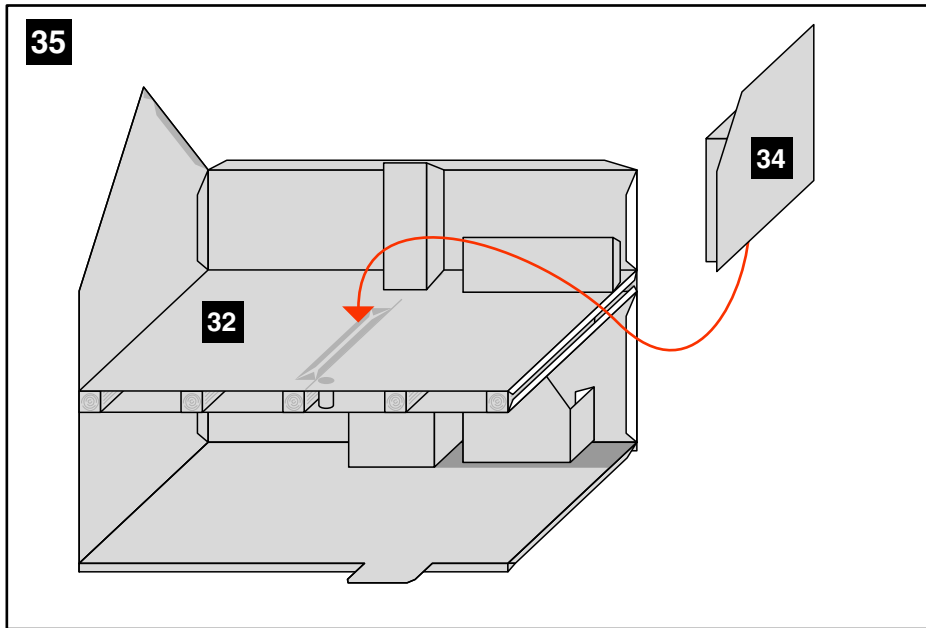
Santa Claus's house : Assembly Instructions

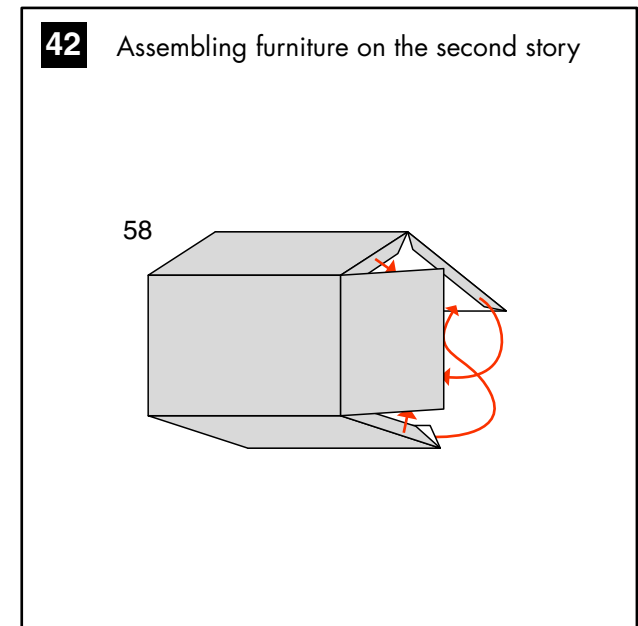
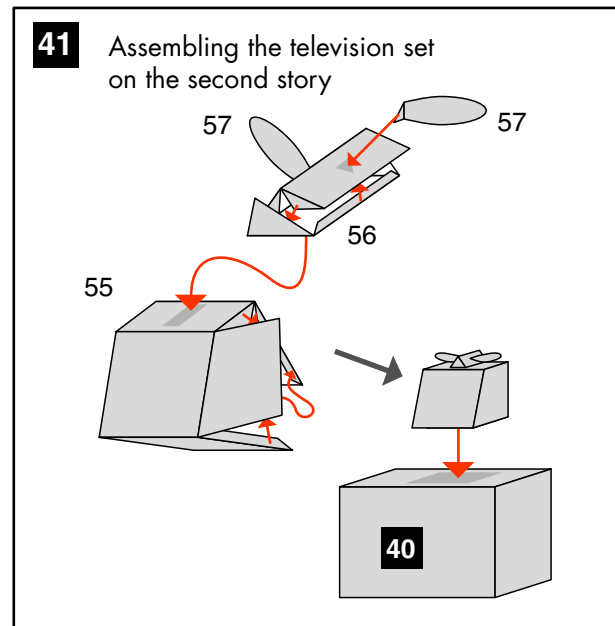
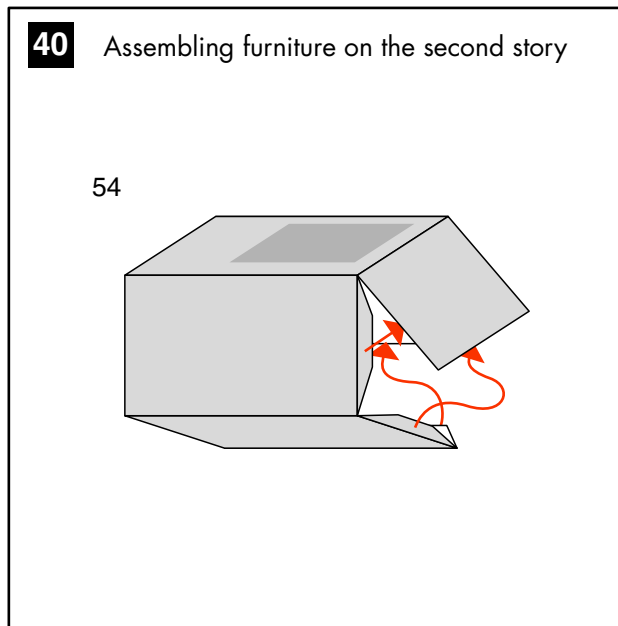
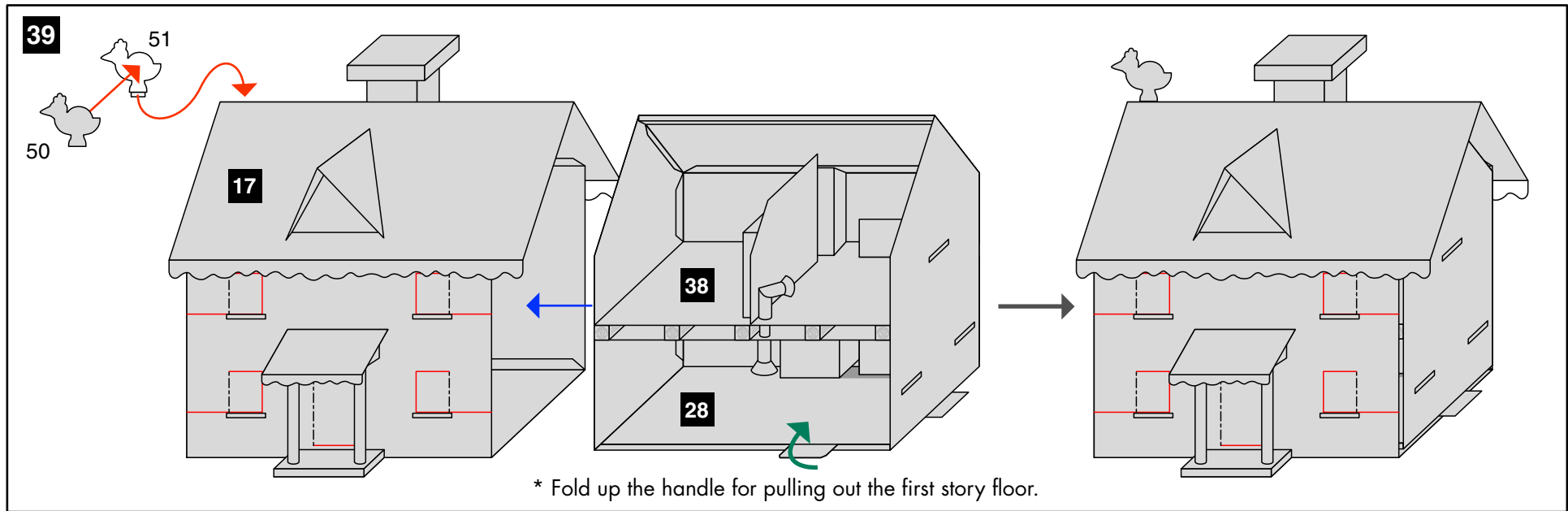
©Canon Inc. ©Ohkuma Mitsuo

Canon









43 Assembling furniture on the second story

44 Assembling the radio on the second story

45

* Coil the cord by rolling it around a narrow cylinder such as a toothpick.

* Using the tip of a toothpick or a similar tool, apply a small amount of glue to attach this part.

46 Assembling the desk and chair on the second story

47 Assembling furniture on the first story

48 Assembling the desk and chair on the first story

Santa Claus's house : Assembly Instructions

©Canon Inc. ©Ohkuma Mitsuo



49 Assembling the bed on the second story

75 76 77 78

50 Assembling the lamp on the second story

79 80 81 82

51 Assembling the box of wrapping paper on the first story

83 84 85 86 87

* Roll in the lengthwise direction.

52 Assembling the present machine on the first floor

88 89 90

53

91 92 93 94 95

Side view

* Apply a warp to this piece.

54 Assembling the world map on the second floor

96 97 98 99

Santa Claus's house : Assembly Instructions

55 Assembling the workbench on the first floor

* Assemble four of these parts.

56 Assembling the bookshelf on the first floor

57

58 Assembling the telescope on the second floor

* Assemble three of these parts.

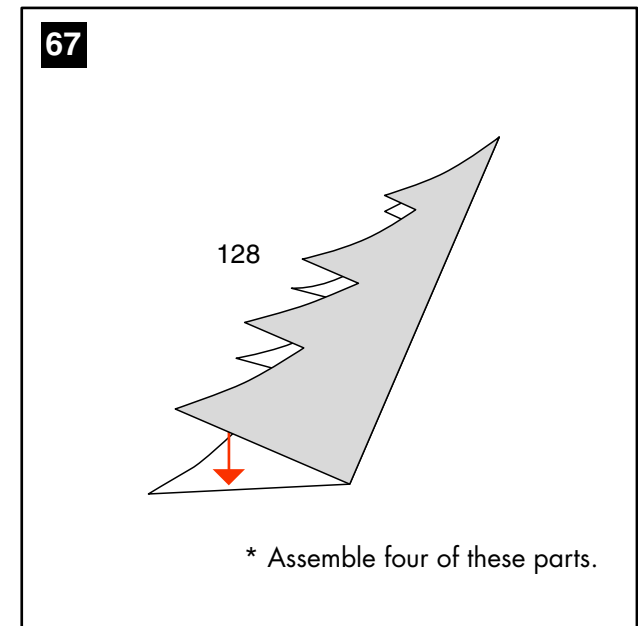
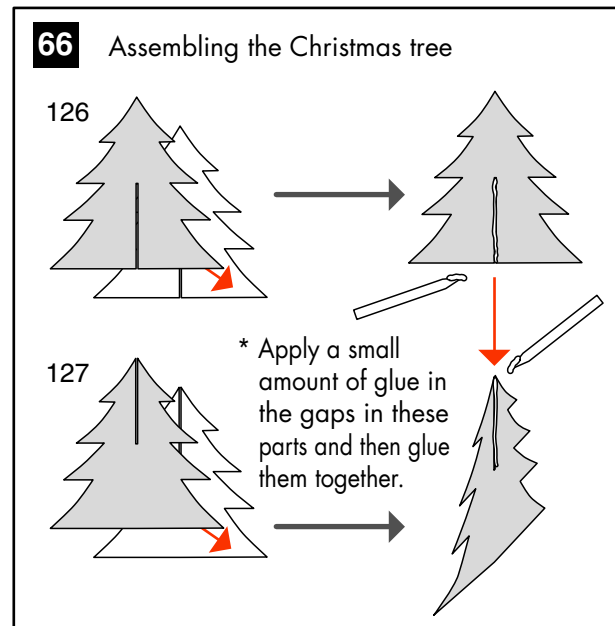
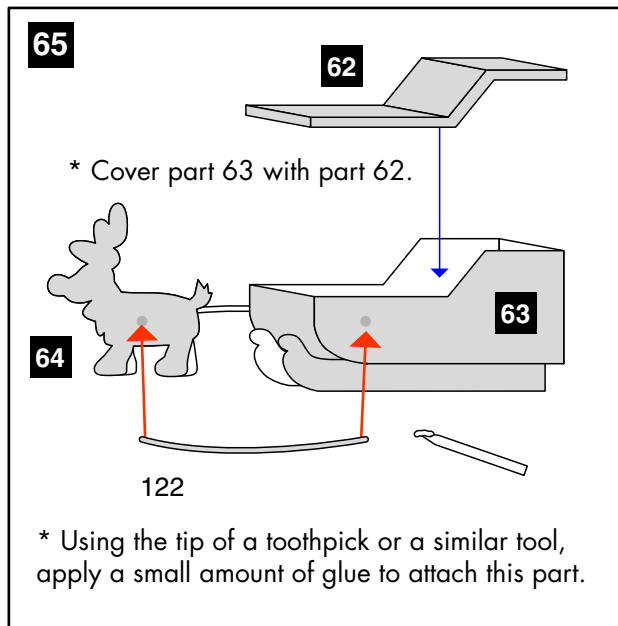
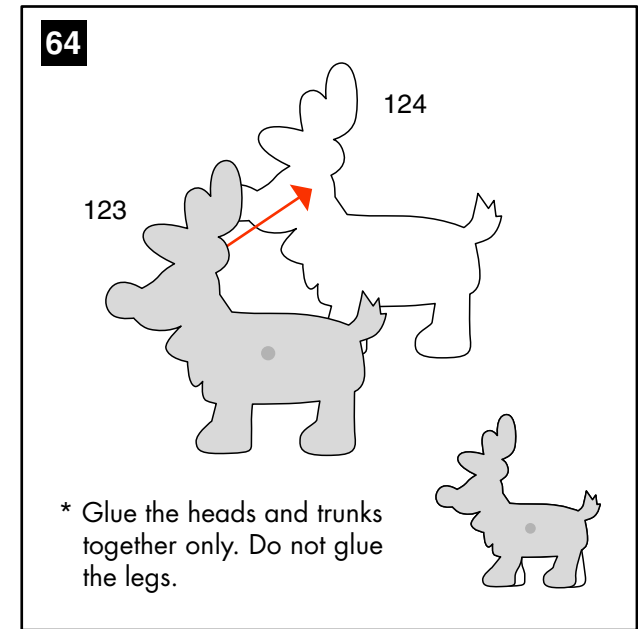
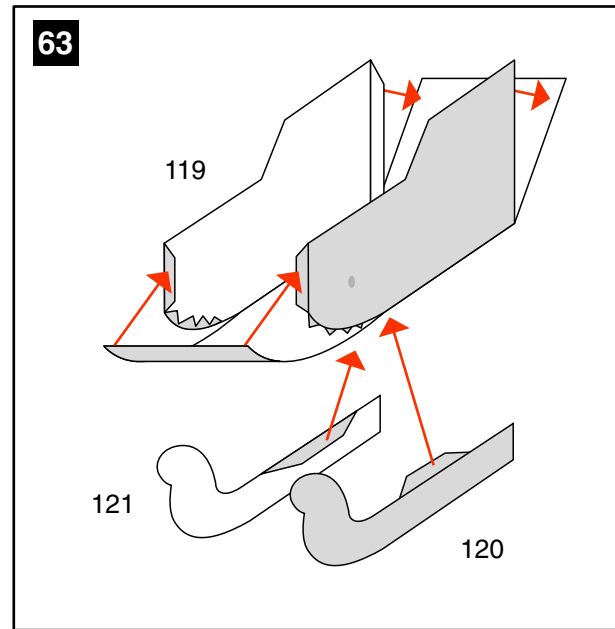
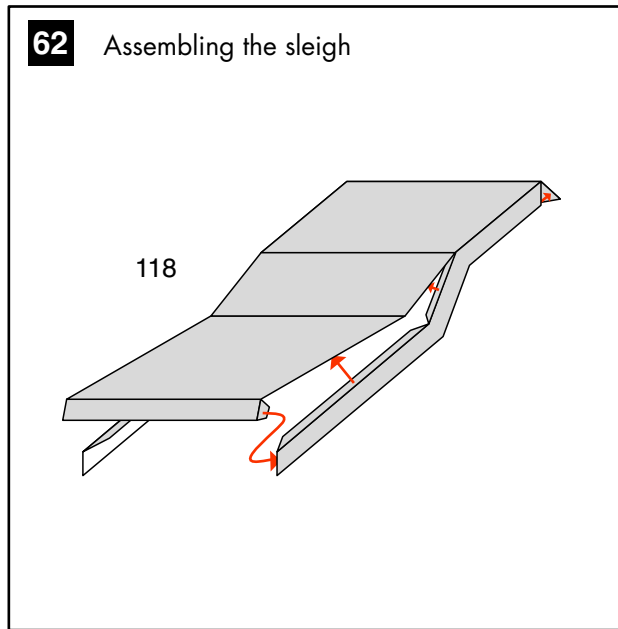
* Using the tip of a toothpick or a similar tool, apply a small amount of glue to attach this part.

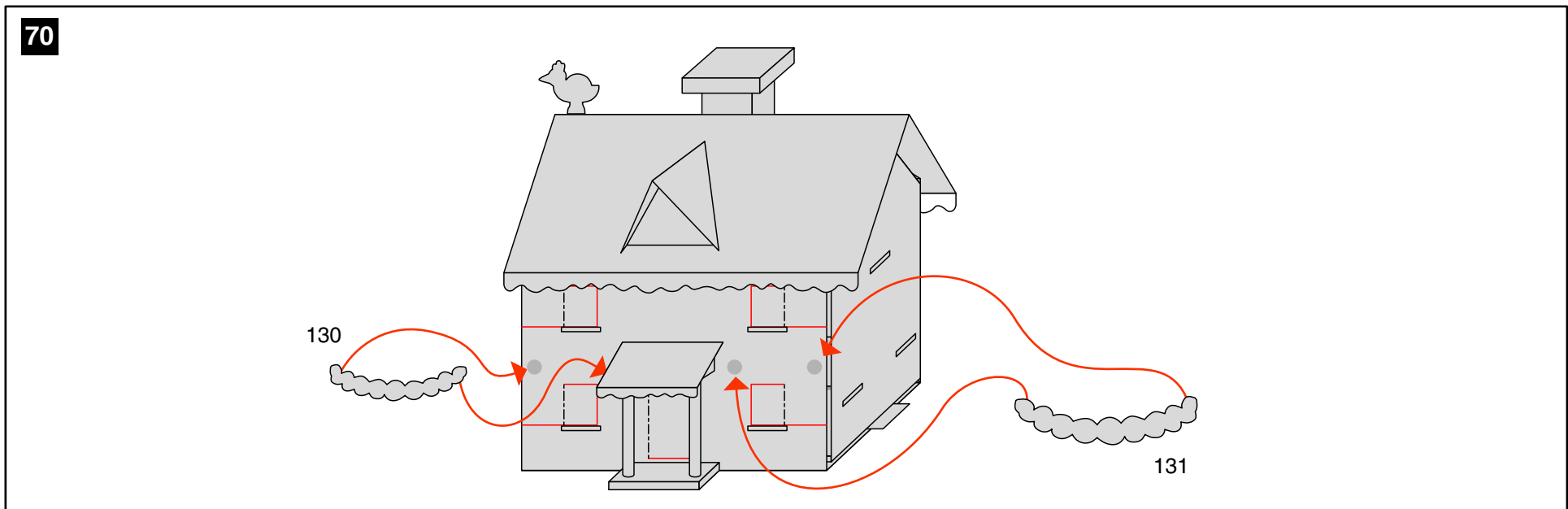
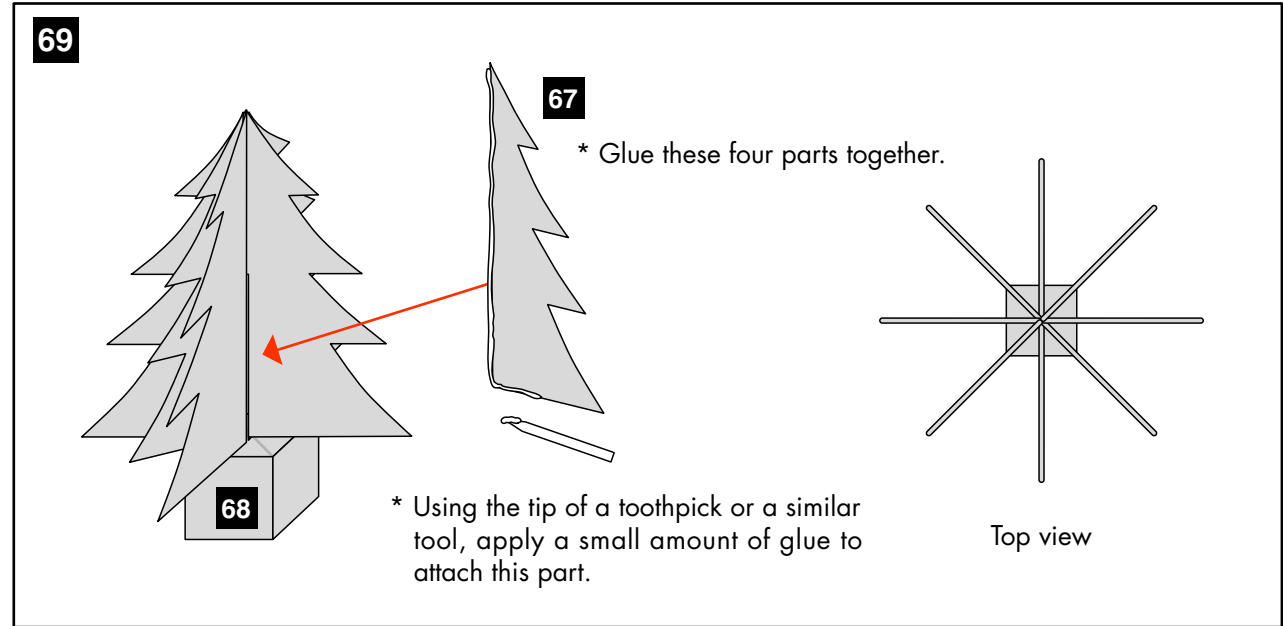
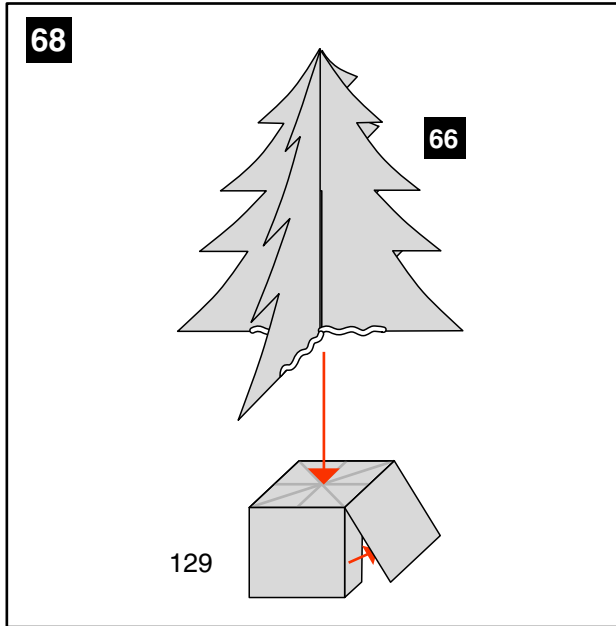
59

60

61

* Using the tip of a toothpick or a similar tool, apply a small amount of glue to attach this part.





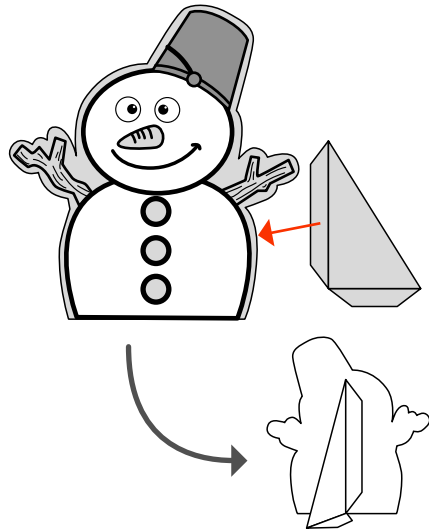
71 Placement of furniture on the second floor

* Glue parts without glue tabs in place using the tip of a toothpick or a similar tool to apply a small amount of glue.

72 Placement of furniture on the first floor

* Glue parts without glue tabs in place using the tip of a toothpick or a similar tool to apply a small amount of glue.

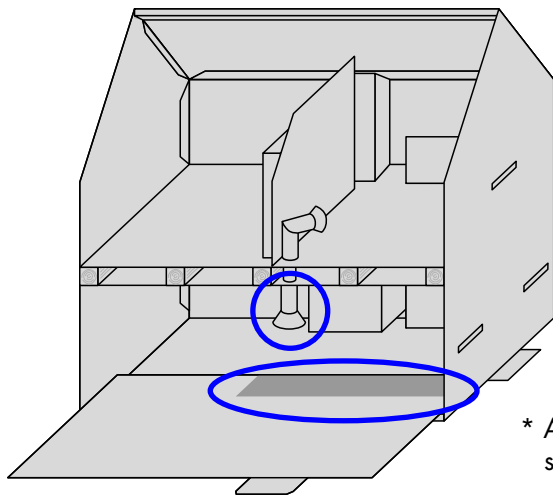
73 Sample assembly of decoration part 1



74 Arrange the decoration parts as you like.



Sample completed model



* Arrange the first floor so that it does not bump into other parts when it is pulled out. Also, make sure the back of the floor does not catch on the stairs or the stove.