

# Santa Claus's house : Assembly Instructions

©Canon Inc. ©Ohkuma Mitsuo



## PAPER CRAFT

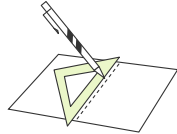
<http://www.canon.com/c-park/en/>



View of completed model

### Assembly Instructions : Eighteen A4 sheets (No.1 to No.18)

\* Build the model by carefully reading the Assembly Instructions , in the parts sheet page order.



\*Hint:Trace along the folds with a ruler and an exhausted pen (no ink) to get a sharper, easier fold.

### Assembly Instructions



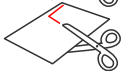
..... **Mountain fold (dotted line)**  
Make a mountain fold.



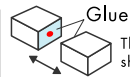
..... **Valley fold (dashed and dotted line)**  
Make a valley fold.



———— **Scissors line (solid line)**  
Cut along the line.



———— **Cut in line (solid line)**  
Cut along the line.



Glue  
The glue spot (colored dot) shows where to apply the glue.

● **Glue spot (Red dot)**  
Glue parts with the same number together.

● **Glue spot (Green dot)**  
Glue within the same part.

● **Glue spot (Blue dot)**  
Glue to the rear of the other part.

#### Tools and materials



Scissors, set square, glue (We recommend stick glue),pencil, used ballpoint pen, toothpicks, tweezers,(useful for handling small parts)

#### Assembly tip



Before gluing, crease the paper along mountain fold and valley fold lines and make sure rounded sections are nice and stiff.

#### Caution



Glue, scissors and other tools may be dangerous to young children so be sure to keep them out of the reach of young children.

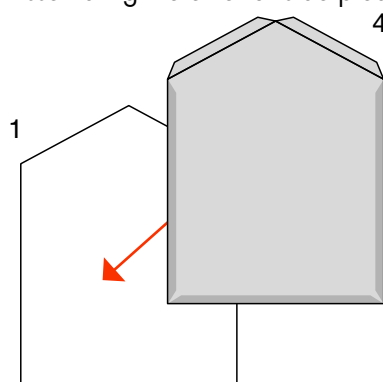
Before starting assembly:Writing the number of each section on its back side before cutting out the sections is highly recommended.  
(\* This way, you can be sure which section is which even after cutting out the sections.)

→ Indicates where sections should be glued together.  
→ Indicates where to insert sections.  
Do not glue the sections together.



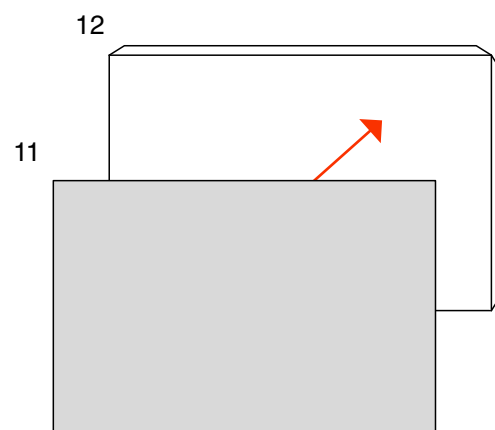
# Santa Claus's house : Assembly Instructions

**1** Assembling the exterior side piece

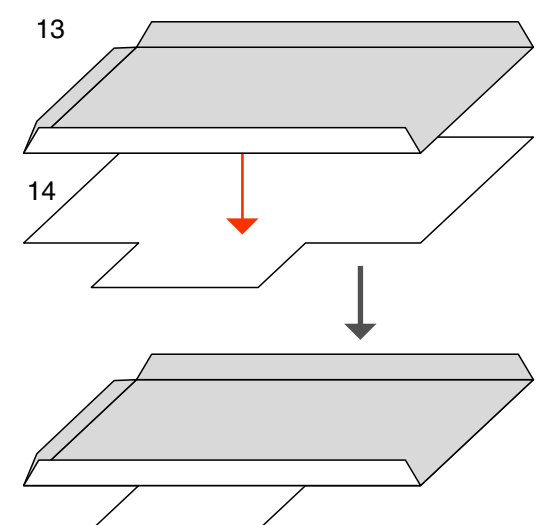


\* Since parts whose entire rear sides are glued to each other tend to develop wavy surfaces as the glue dries, after gluing these parts together place a book or similar item on top while they dry.

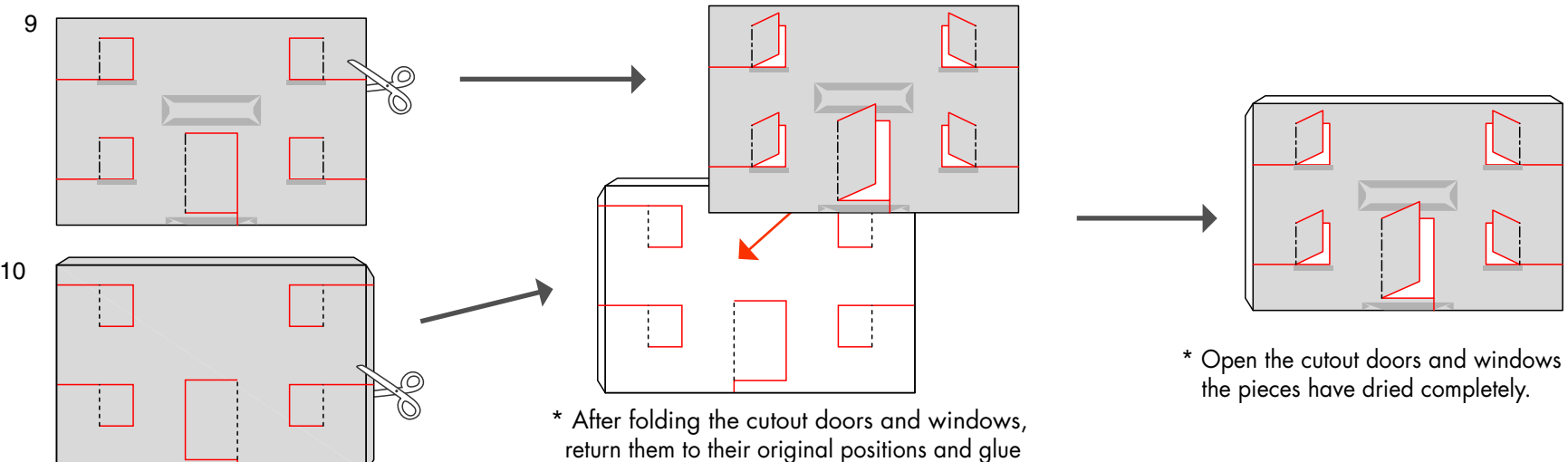
**2** Assembling the exterior rear piece



**3** Assembling the exterior bottom piece



**4** Assembling the exterior front piece



\* After folding the cutout doors and windows, return them to their original positions and glue the doors and windows together.

\* Open the cutout doors and windows after the pieces have dried completely.

**5** Assembling the interior surface of the roof

21

31

**6** Assembling the exterior surface of the roof

18

15

**5**

\* When gluing these pieces together, use care to ensure that each is facing in the correct direction.

**5**

**7**

**1**

**2**

**3**

**4**

**8**

**6**

**7**

**9** Assembling the chimney

2

3

Side view

**10** Assembling the roof window

6

7

5

**11**

10

9

8

8

**12** Assembling the front porch roof

16

17

# Santa Claus's house : Assembly Instructions

**13**

12

19

**14** Assembling the front step

20

**15** Assembling the front pillars

22

\* Assemble two identical parts.

**16** Assembling the windowsills

8

\* Assemble seven identical parts.

**17**

13

15

14

11

16

\* Glue four windowsills in place on this side.

**18** Assembling the side surface

32

**16** \* Glue three windowsills in place on this side.

Detailed description: This diagram shows the assembly of the side surface. On the left, part 32 is a flat sheet with a house-shaped outline. A pair of scissors is shown cutting a slot in the bottom right corner. An arrow points to the right, where part 16, a small rectangular piece, is being glued to the side of part 32. Red arrows indicate the placement of three windowsills on this side.

**19** Assembling the shelves

44

45

46

**18**

\* Using the tip of a toothpick or a similar tool, apply small amounts of glue to the edges of these parts.

Detailed description: This diagram shows the assembly of the shelves. Part 44 is a flat sheet. Parts 45 and 46 are small L-shaped pieces. Part 18 is the house structure. Red arrows show parts 44, 45, and 46 being attached to the interior of part 18. A toothpick is shown applying glue to the edges of parts 45 and 46.

**20** Assembling the rear side

34

35

Detailed description: This diagram shows the assembly of the rear side. Part 34 is a flat sheet with a house-shaped outline. Part 35 is a rectangular piece. Red arrows show part 35 being attached to the rear side of part 34.

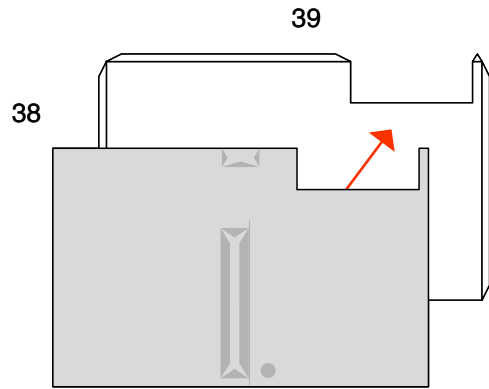
**21**

33

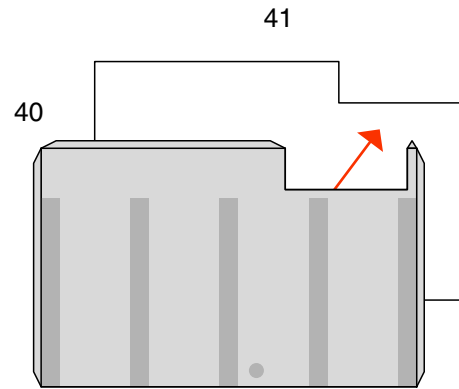
**20**

Detailed description: This diagram shows the assembly of the rear side. Part 33 is a flat sheet with a house-shaped outline. Part 20 is the house structure. Red arrows show part 33 being attached to the rear side of part 20.

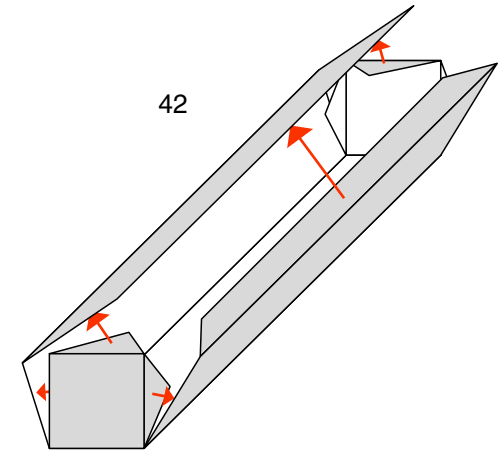
**22** Assembling the second story floor



**23** Assembling the first story ceiling

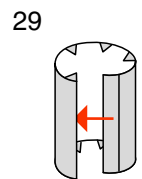


**24** Assembling the beams

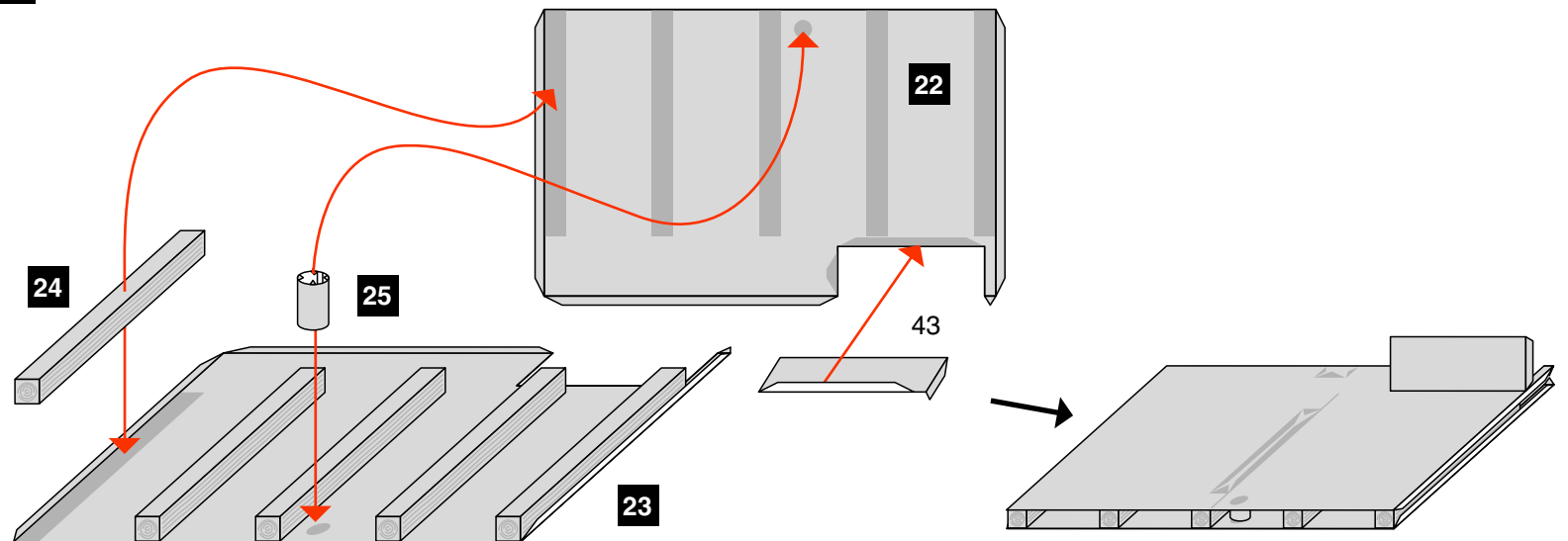


\* Assemble five beams.

**25**

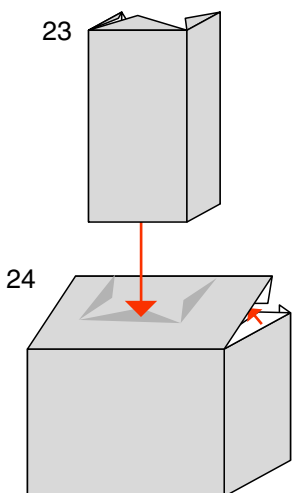


**26**

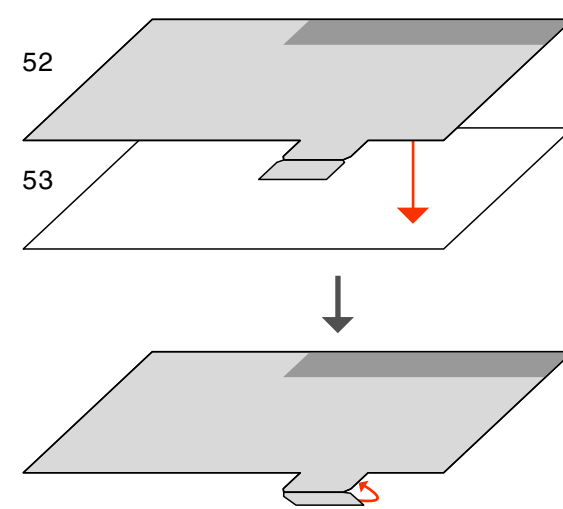


# Santa Claus's house : Assembly Instructions

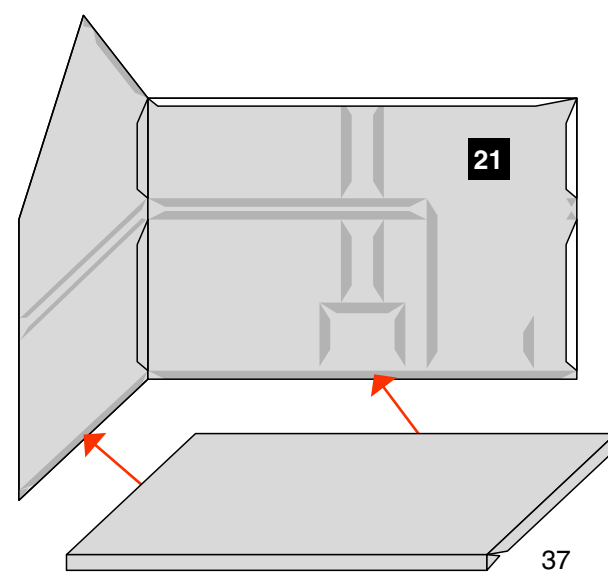
**27** Assembling the stove



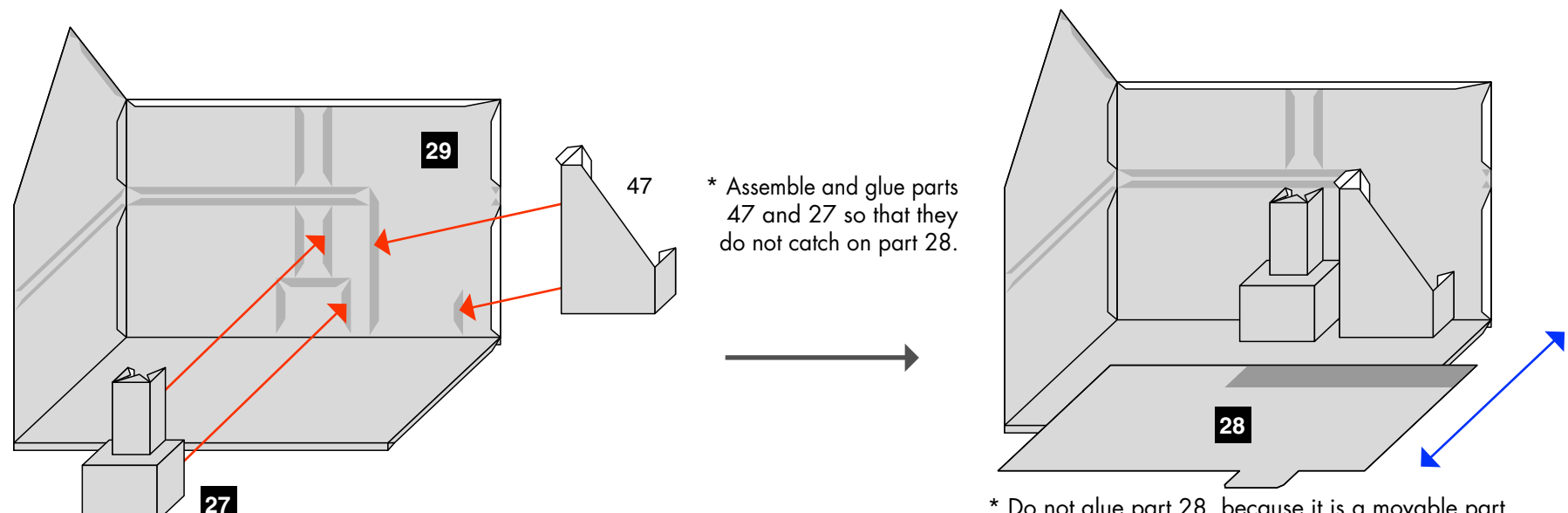
**28** Assembling the first story movable floor



**29**



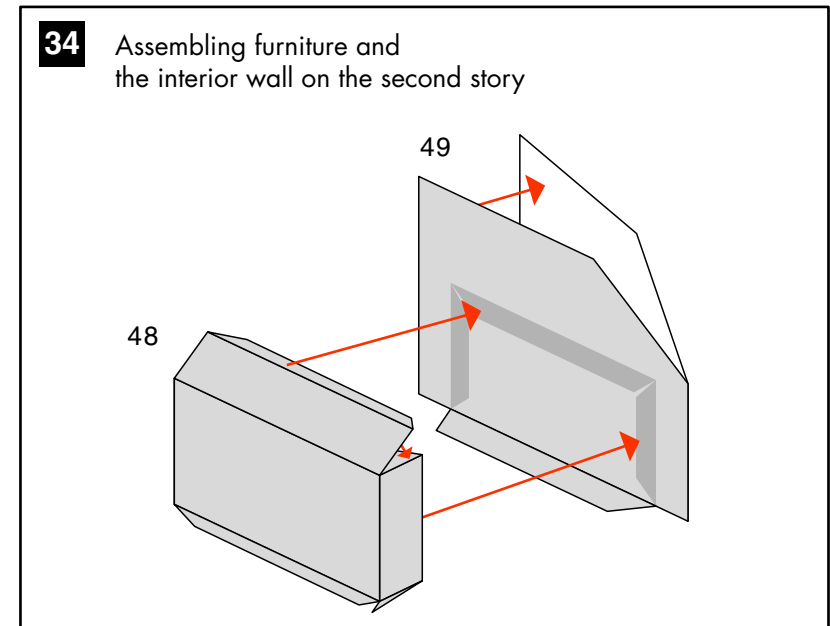
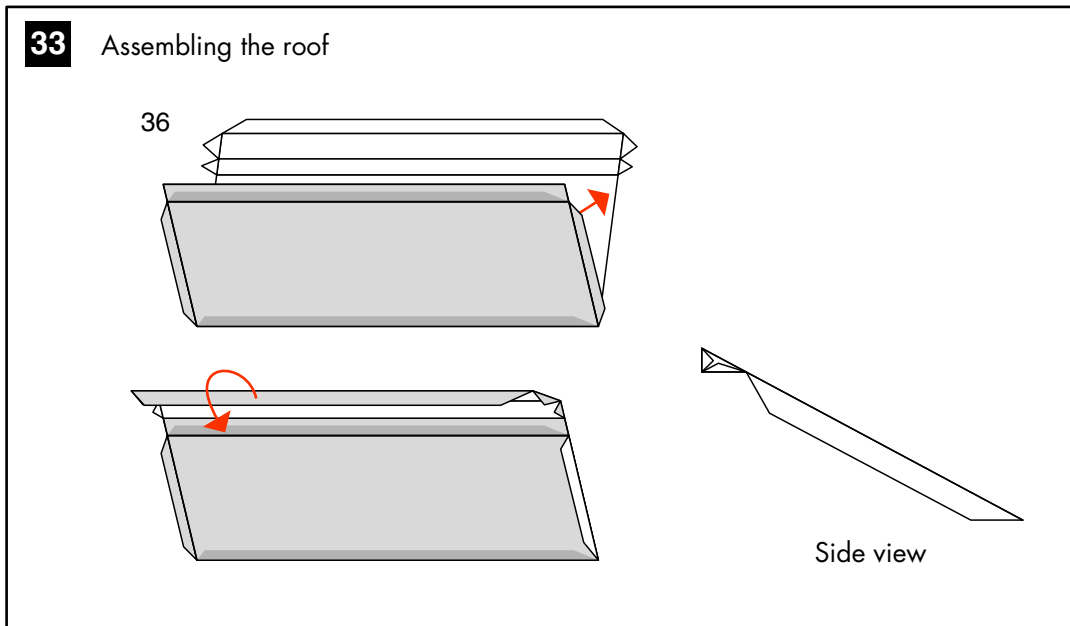
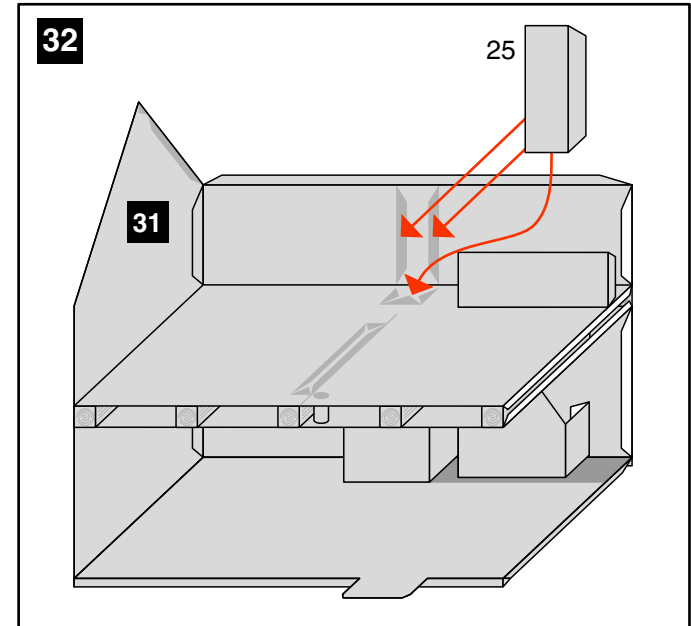
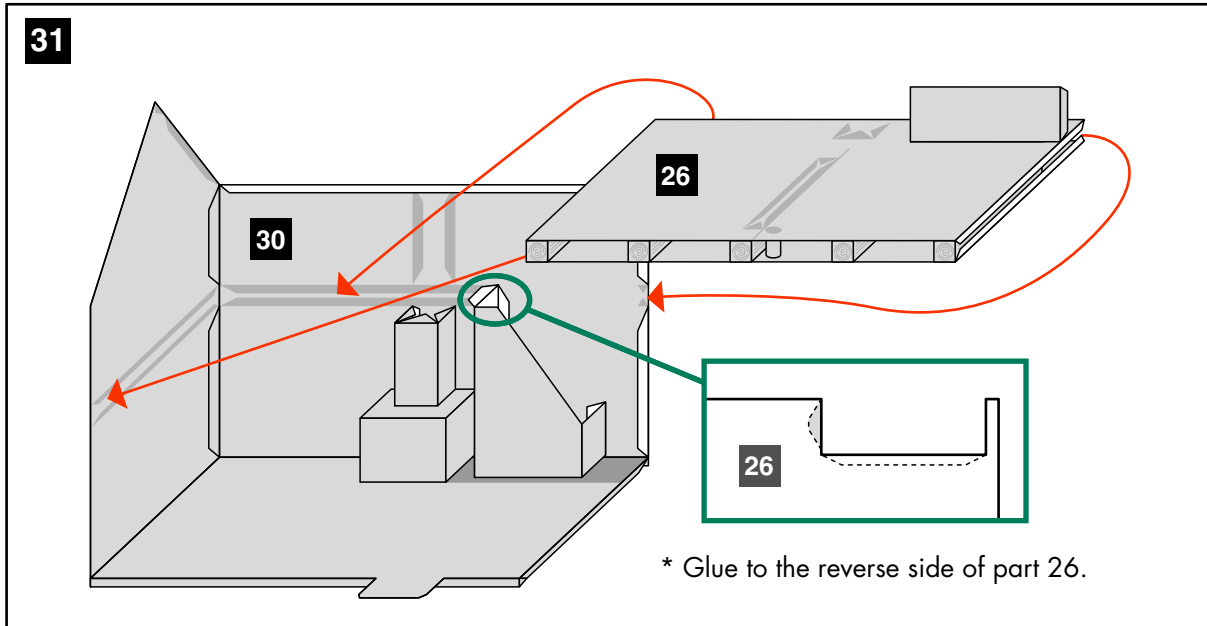
**30**

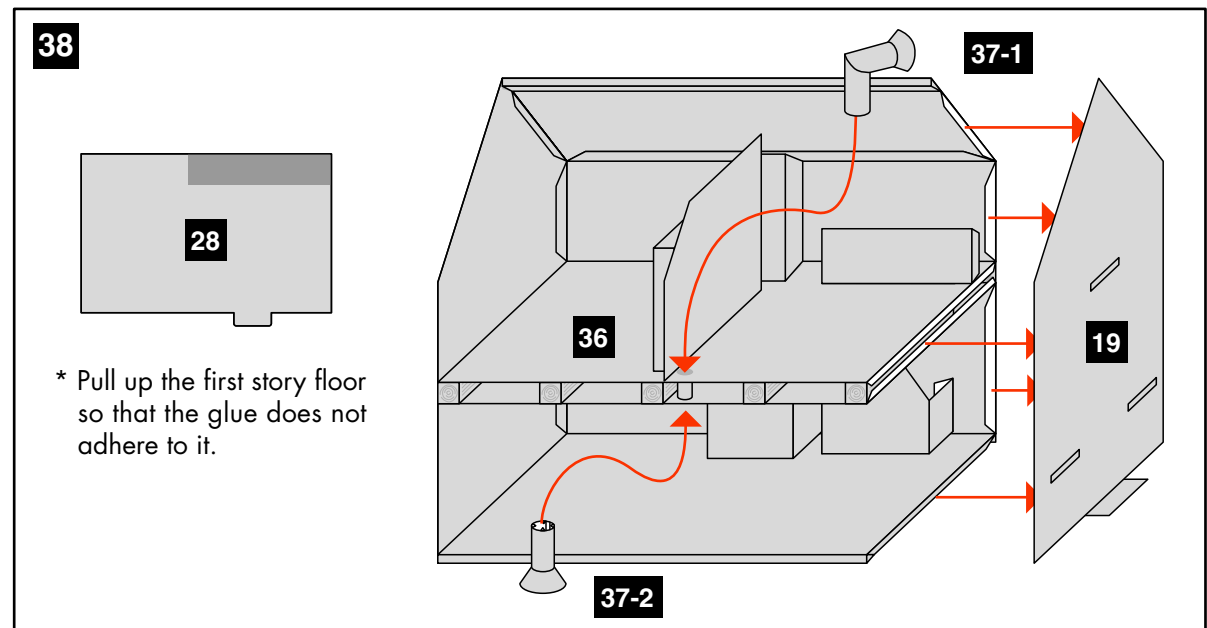
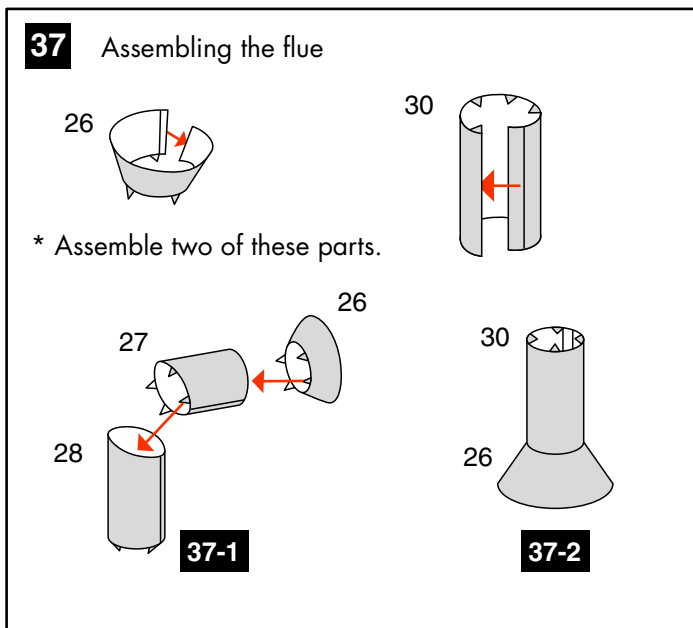
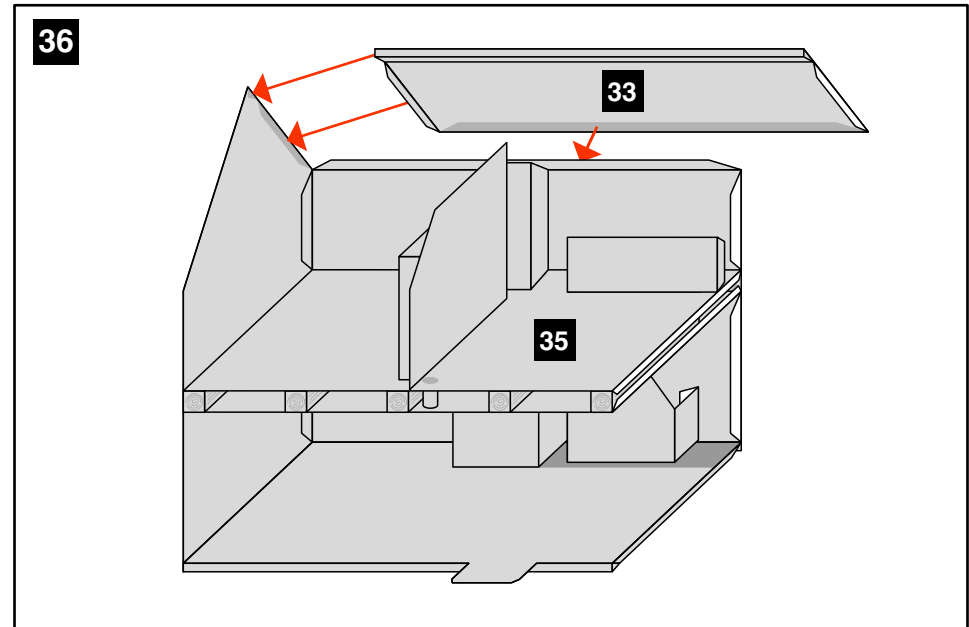
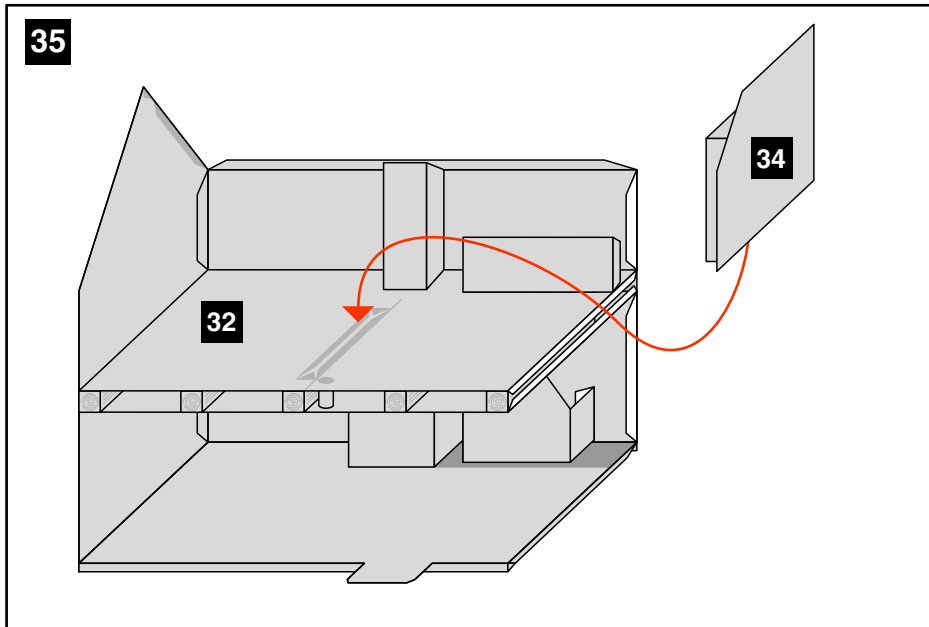


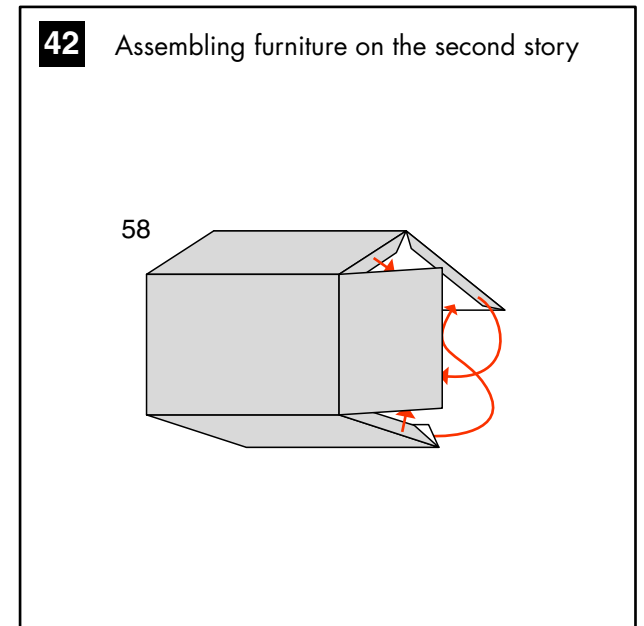
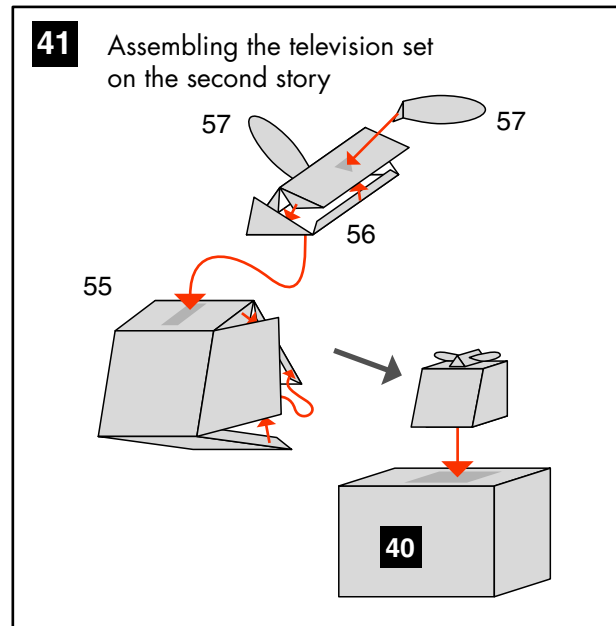
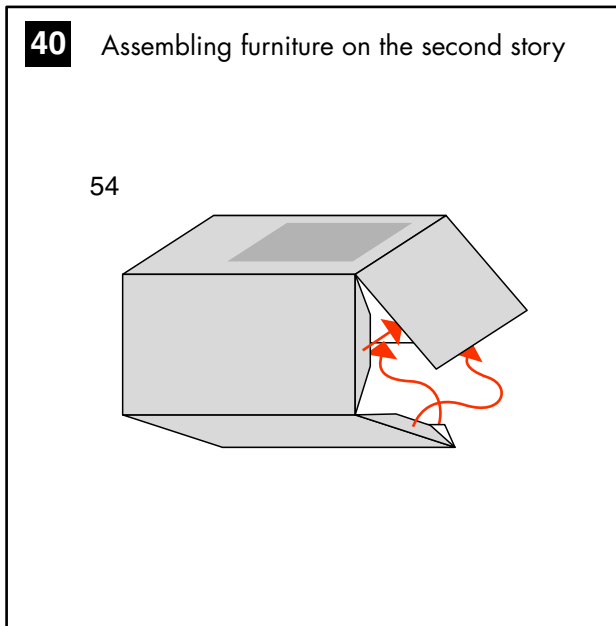
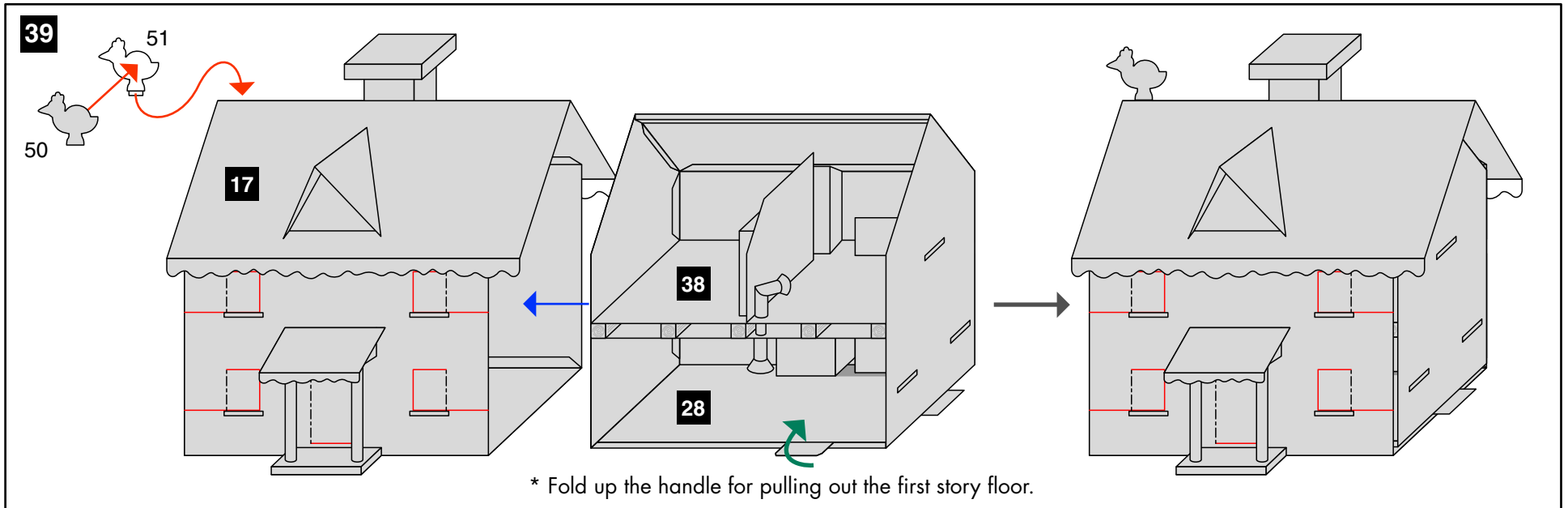
\* Assemble and glue parts 47 and 27 so that they do not catch on part 28.

\* Do not glue part 28, because it is a movable part.

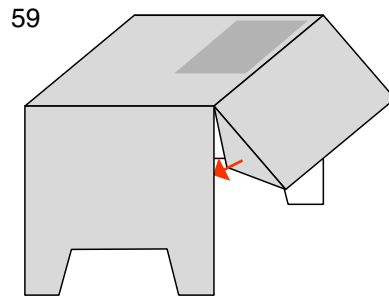




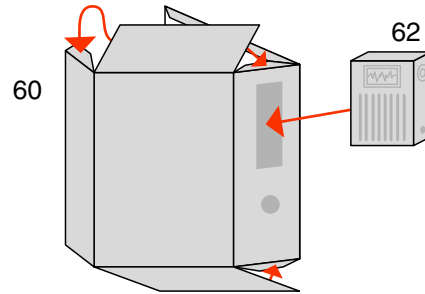




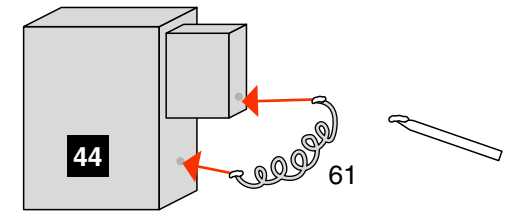
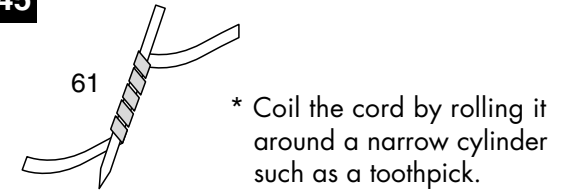
**43** Assembling furniture on the second story



**44** Assembling the radio on the second story

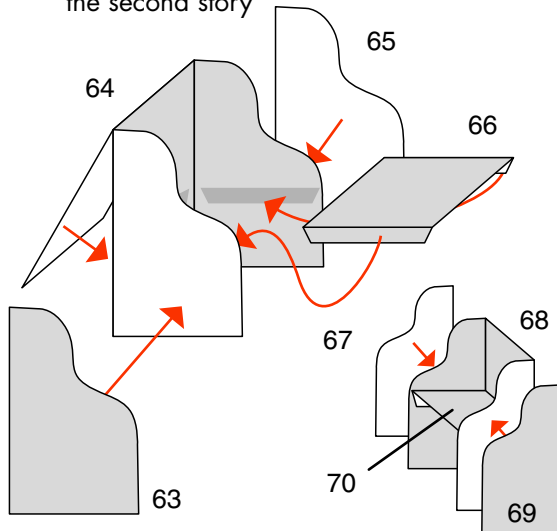


**45**

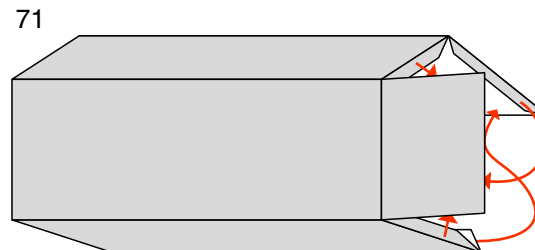


\* Using the tip of a toothpick or a similar tool, apply a small amount of glue to attach this part.

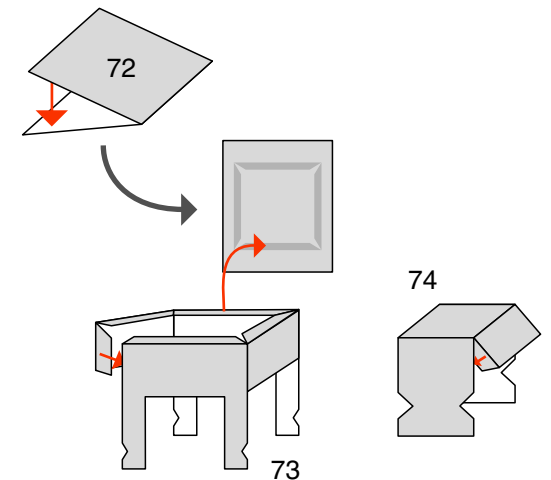
**46** Assembling the desk and chair on the second story



**47** Assembling furniture on the first story



**48** Assembling the desk and chair on the first story



# Santa Claus's house : Assembly Instructions

**49** Assembling the bed on the second story

**50** Assembling the lamp on the second story

**51** Assembling the box of wrapping paper on the first story

\* Roll in the lengthwise direction.

**52** Assembling the present machine on the first floor

**53**

Side view

\* Apply a warp to this piece.

**54** Assembling the world map on the second floor

# Santa Claus's house : Assembly Instructions

**55** Assembling the workbench on the first floor

\* Assemble four of these parts.

**56** Assembling the bookshelf on the first floor

**57**

**58** Assembling the telescope on the second floor

\* Assemble three of these parts.

\* Using the tip of a toothpick or a similar tool, apply a small amount of glue to attach this part.

**59**

**60**

**61**

\* Using the tip of a toothpick or a similar tool, apply a small amount of glue to attach this part.

**62** Assembling the sleigh

**63**

**64**

\* Glue the heads and trunks together only. Do not glue the legs.

**65**

\* Cover part 63 with part 62.

**64**

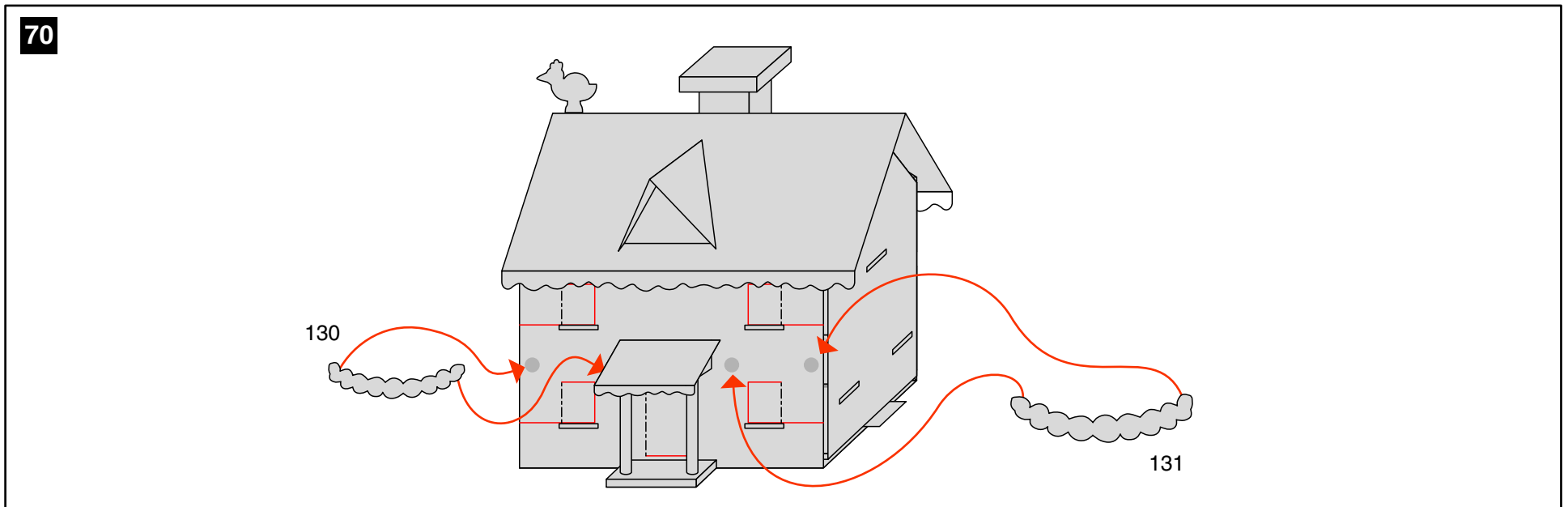
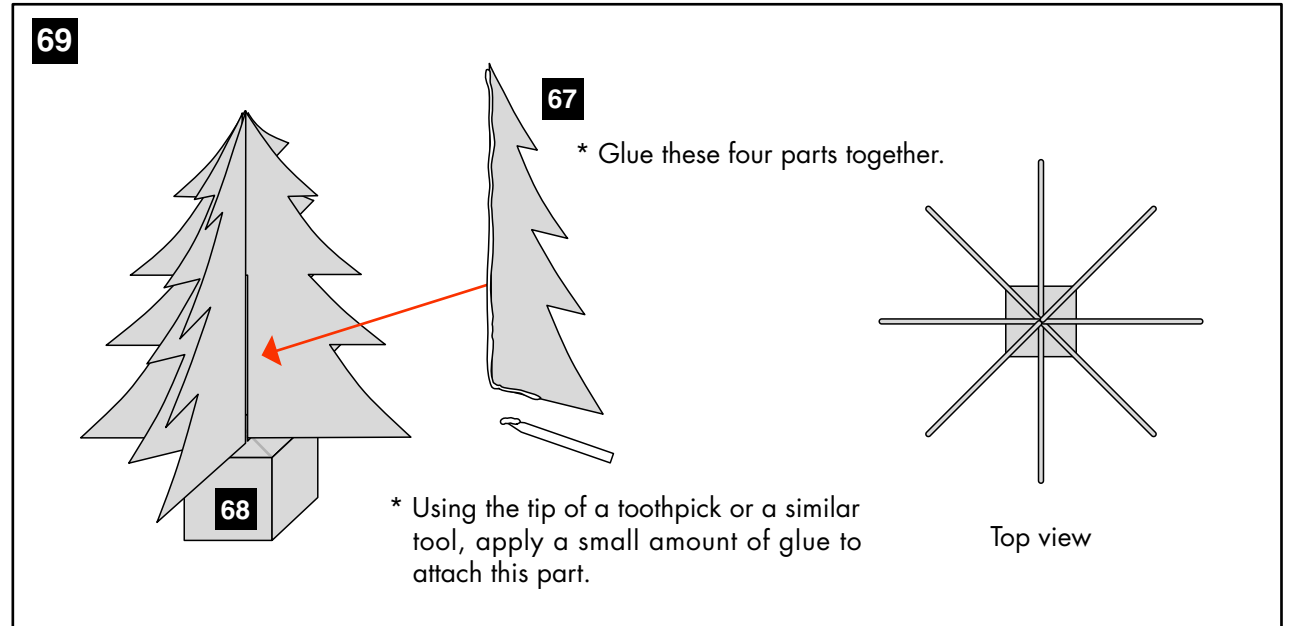
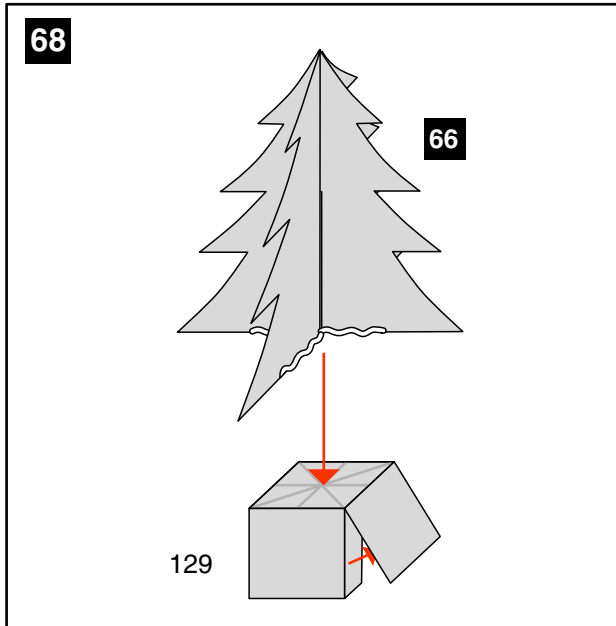
\* Using the tip of a toothpick or a similar tool, apply a small amount of glue to attach this part.

**66** Assembling the Christmas tree

\* Apply a small amount of glue in the gaps in these parts and then glue them together.

**67**

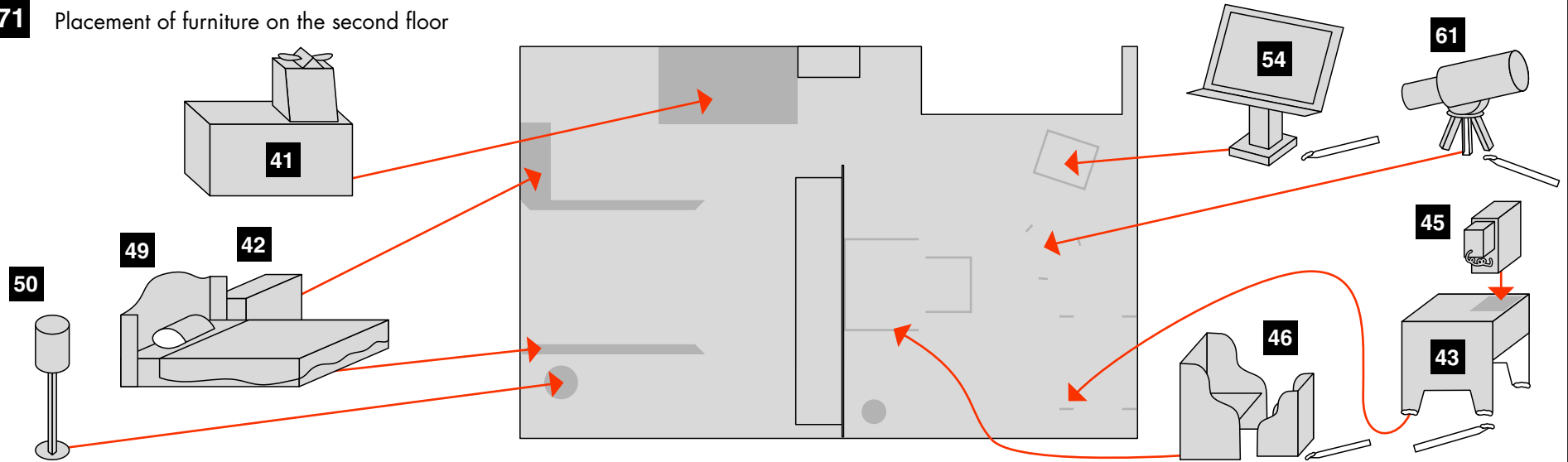
\* Assemble four of these parts.





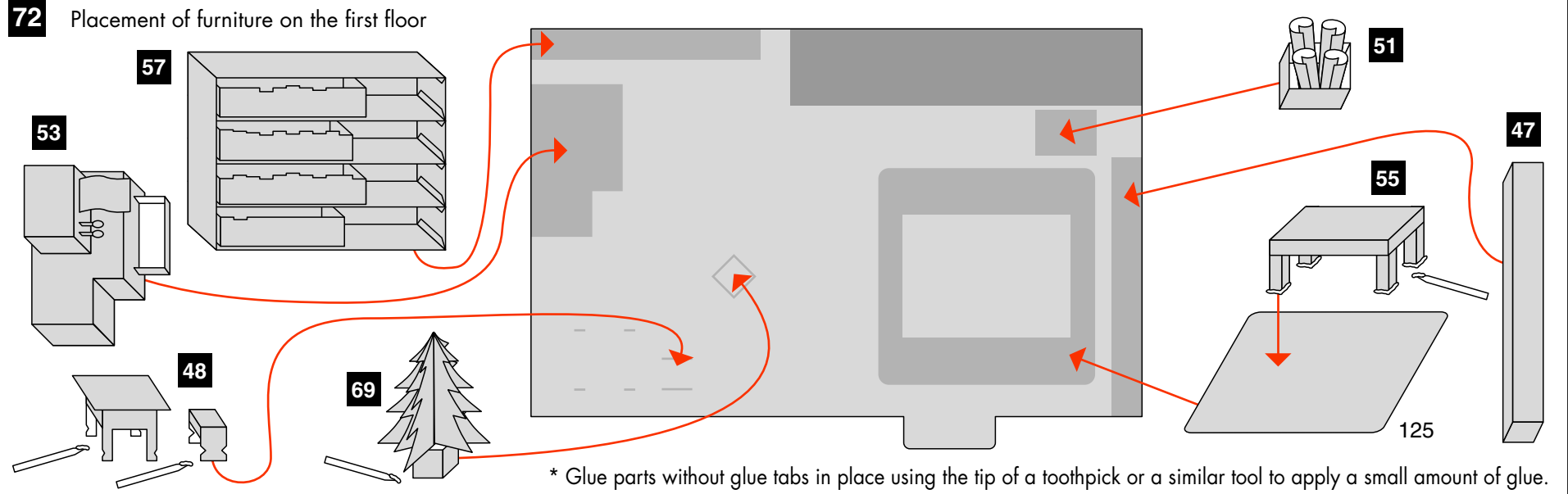
# Santa Claus's house : Assembly Instructions

## 71 Placement of furniture on the second floor



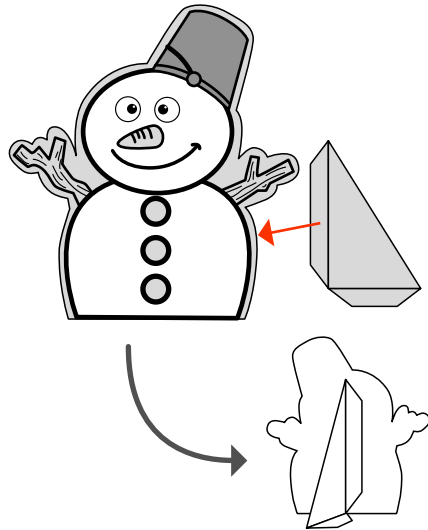
\* Glue parts without glue tabs in place using the tip of a toothpick or a similar tool to apply a small amount of glue.

## 72 Placement of furniture on the first floor



\* Glue parts without glue tabs in place using the tip of a toothpick or a similar tool to apply a small amount of glue.

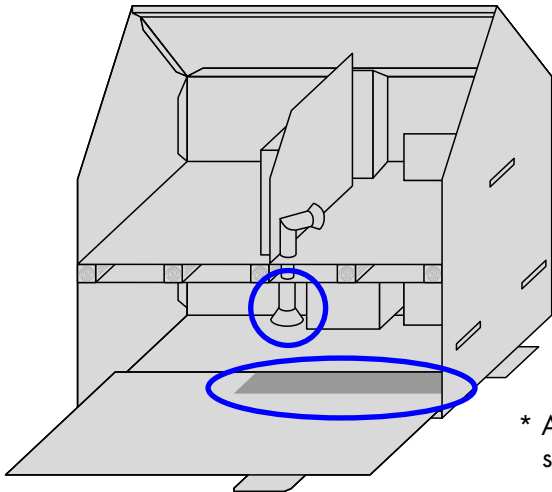
**73** Sample assembly of decoration part 1



**74** Arrange the decoration parts as you like.



Sample completed model



\* Arrange the first floor so that it does not bump into other parts when it is pulled out. Also, make sure the back of the floor does not catch on the stairs or the stove.