

PAPER CRAFT

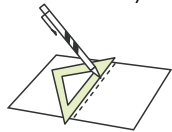
<http://www.canon.com/c-park/en/>



View of completed model

■ Assembly Instructions : Four A4 sheets (No. 1 to No. 4)

* Build the model by carefully reading the Assembly Instructions , in the parts sheet page order.



*Hint: Trace along the folds with a ruler and an exhausted pen (no ink) to get a sharper, easier fold.

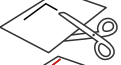
Assembly Instructions



Mountain fold(dotted line)
Make a mountain fold.



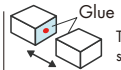
Valley fold(dashed and dotted line)
Make a valley fold.



Scissors line(solid line)
Cut along the line.



Cut in line(solid line)
Cut along the line.



Glue
The glue spot(colored dot) shows where to apply the glue.



Glue spot(Red dot)
Glue parts with the same number together.



Glue spot(Green dot)
Glue within the same part.



Glue spot(Blue dot)
Glue to the rear of the other part.

Tools and materials



Scissors, set square, glue(We recommend stick glue), pencil, used ballpoint pen, toothpicks, tweezers, (useful for handling small parts)

Assembly tip



Before gluing, crease the paper along mountain fold and valley fold lines and make sure rounded sections are nice and stiff.

Caution



Glue, scissors and other tools may be dangerous to young children so be sure to keep them out of the reach of young children.

Before starting assembly :

Writing the number of each section on its back side before cutting out the sections is highly recommended.

(* This way, you can be sure which section is which even after cutting out the sections.)



Indicates where sections should be glued together.

Assembling the boxes

This kit consists of four boxes in total : spring (A), summer (B), autumn (C), and winter (D). Build each of these boxes in the same manner, since only their colors (and the colored assembly symbols) and designs differ. The base of the photo frame, centered on part A-1, enables the frame to open to the left and to the right.

Step 1

Assemble the group of A-R parts.

Crease each part before gluing it in place.

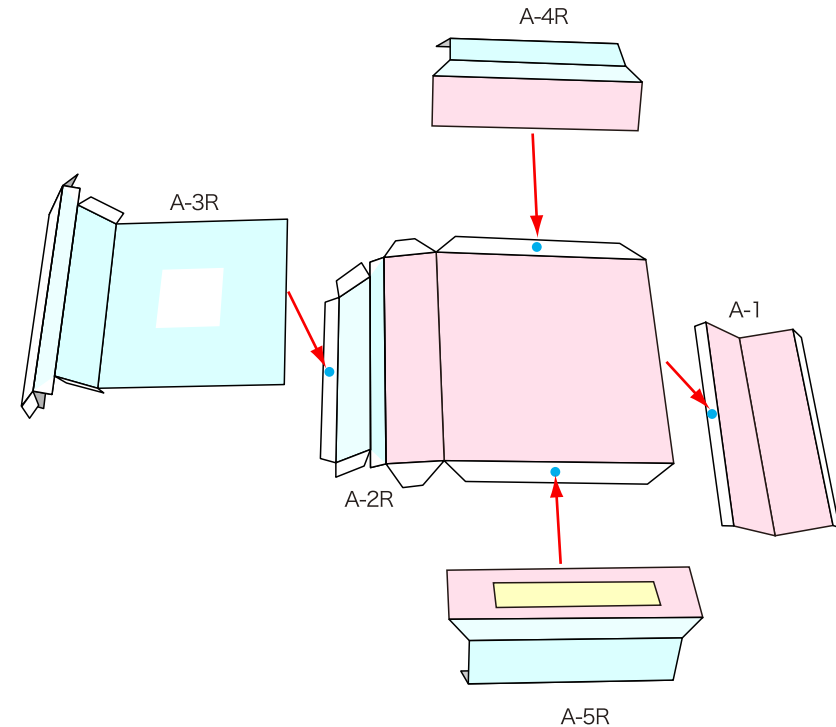
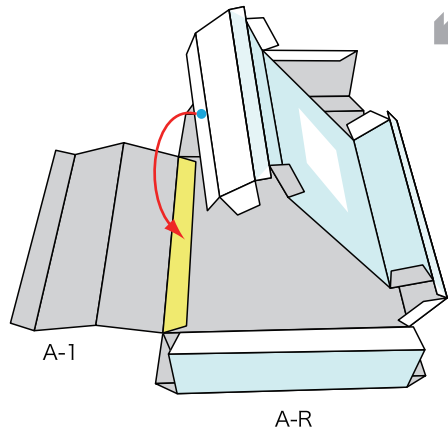
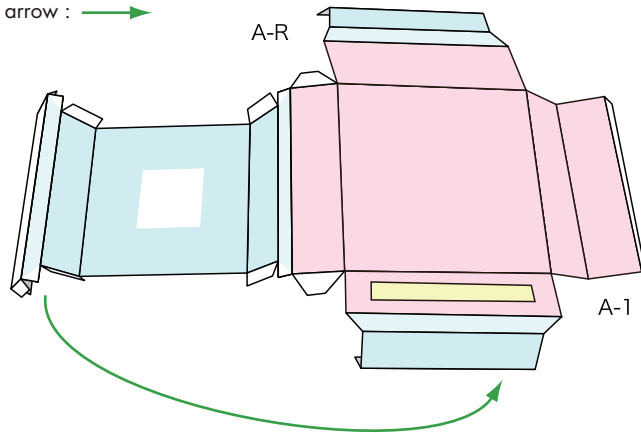


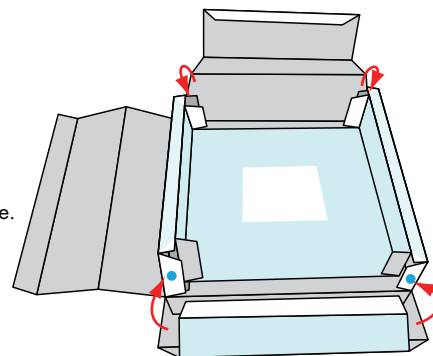
Photo frame : Assembly Instructions

Step 2 Fold the A parts, in the direction shown by this arrow : →

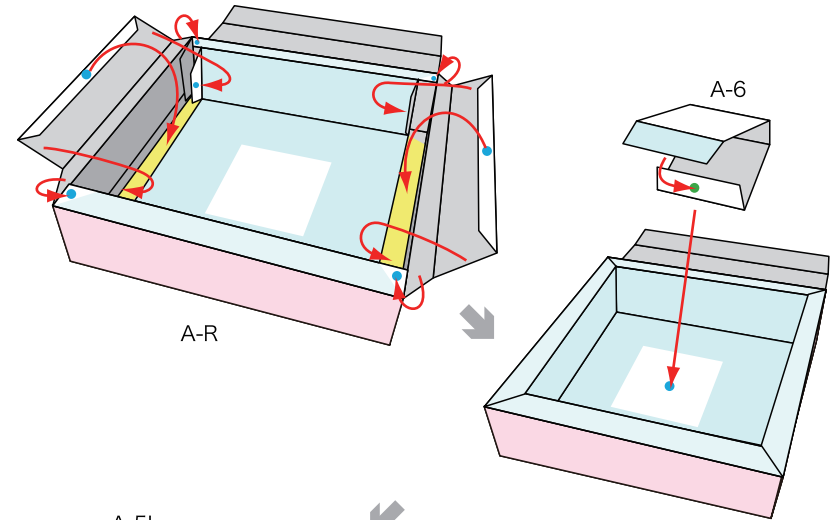


Step 3 Apply glue to the area.

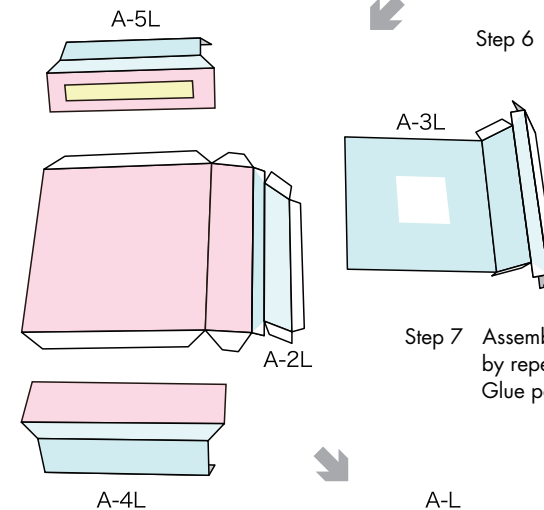
Step 4 Glue the outside of the box in place.



Step 5 Apply glue to the glue spots on parts A-4R and A-5R as shown in the illustration.



Step 6 Glue part A-6 in place to complete the right side of the box.



Step 7 Assemble the group of A-L parts by repeating steps 1 through 6. Glue part A-6 in place.

Step 8 Complete the box by gluing part A-1 to the entire surface of the sides marked with this star : ★.

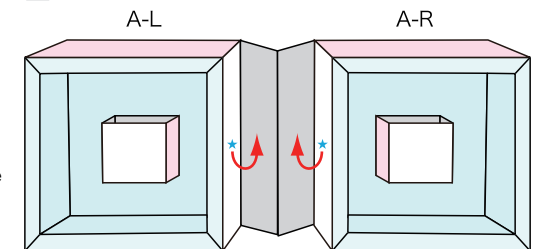
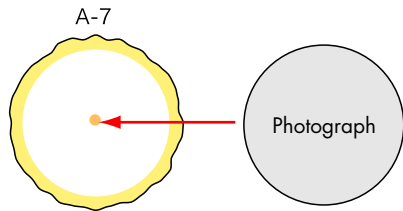
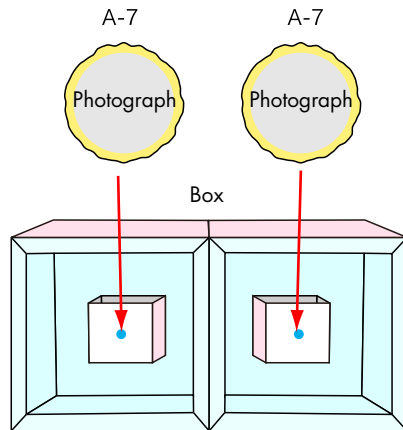


Photo frame : Assembly Instructions

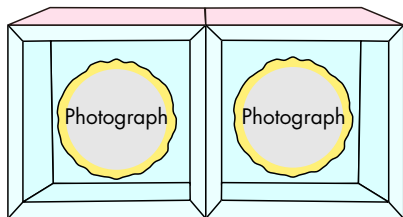
Inserting a photograph



Glue your desired photograph to part A-7, as you would in a scrapbook.

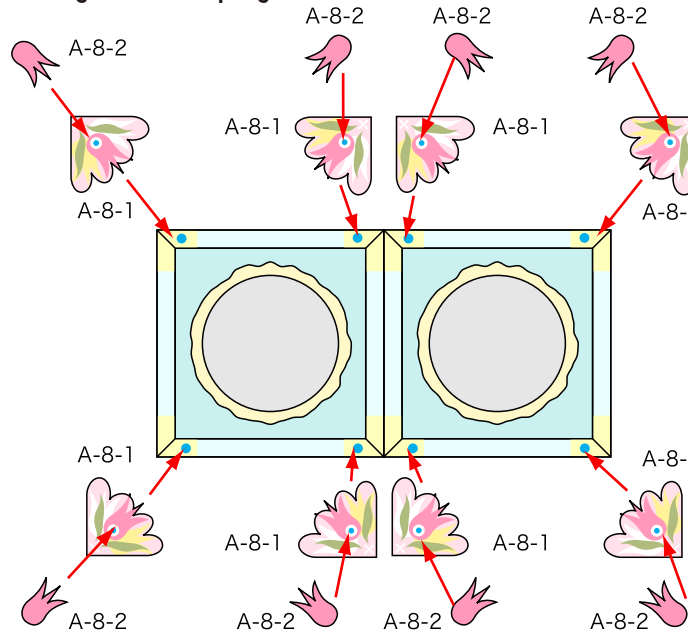


Glue part A-7 in place.



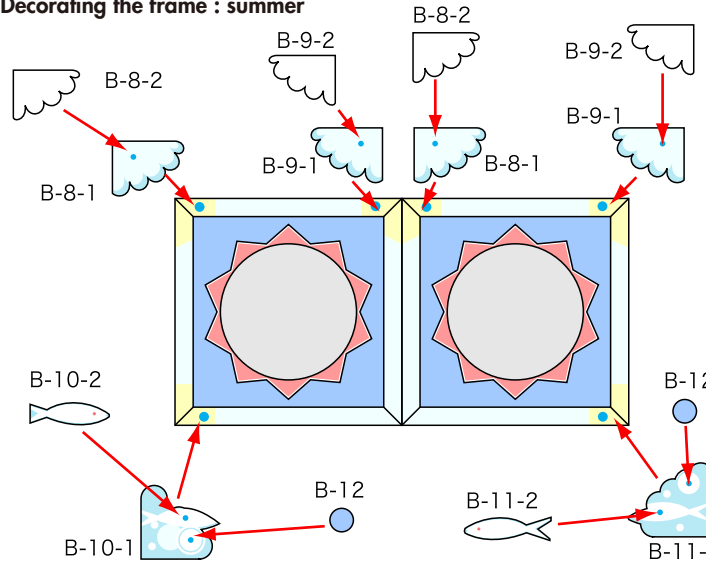
You've finished inserting the photographs!

Decorating the frame : spring



The spring photo frame is complete!

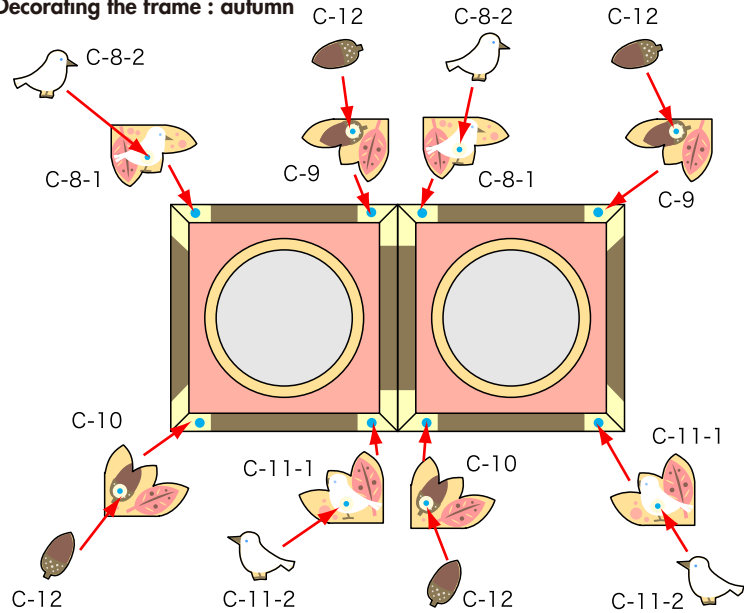
Decorating the frame : summer



The summer photo frame is complete!

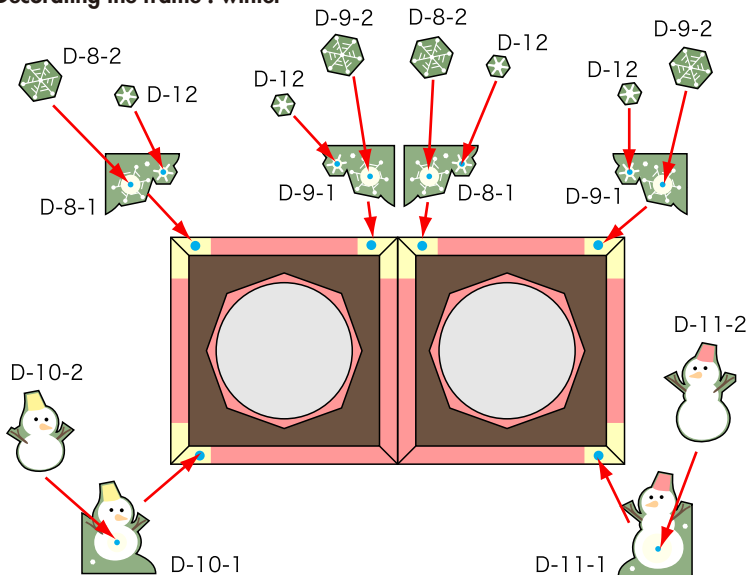
Photo frame : Assembly Instructions

Decorating the frame : autumn



The autumn photo frame is complete!

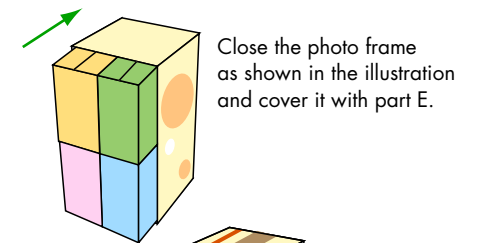
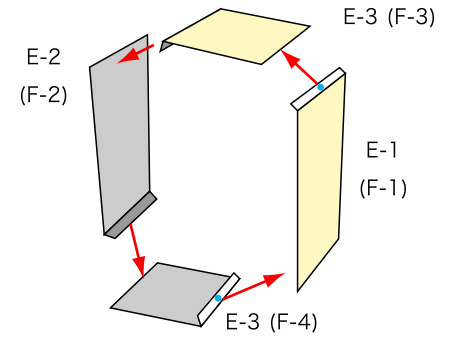
Decorating the frame : winter



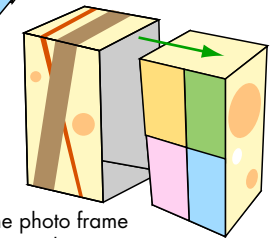
The winter photo frame is complete!

Assembling the cover

Assemble parts groups E and F in the same way.



Close the photo frame as shown in the illustration and cover it with part E.



Cover the photo frame and part E with part F.



The cover is complete!