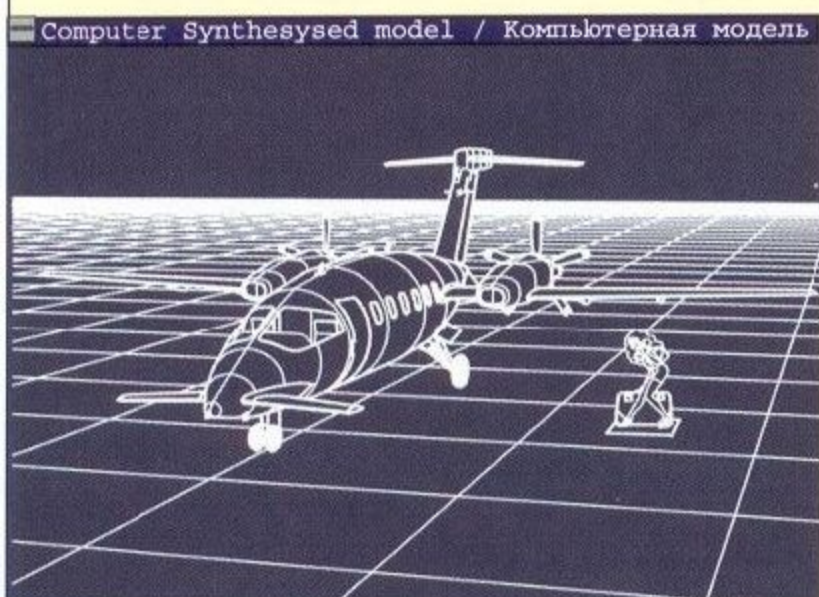


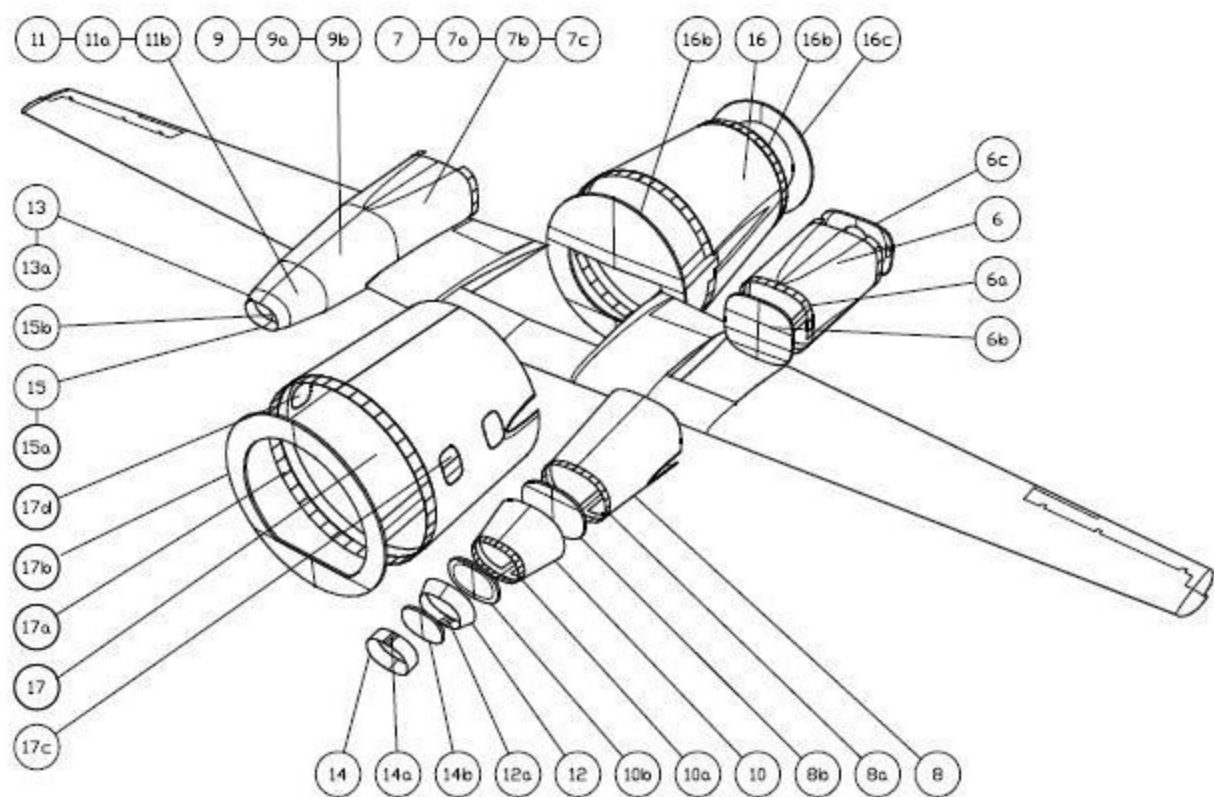
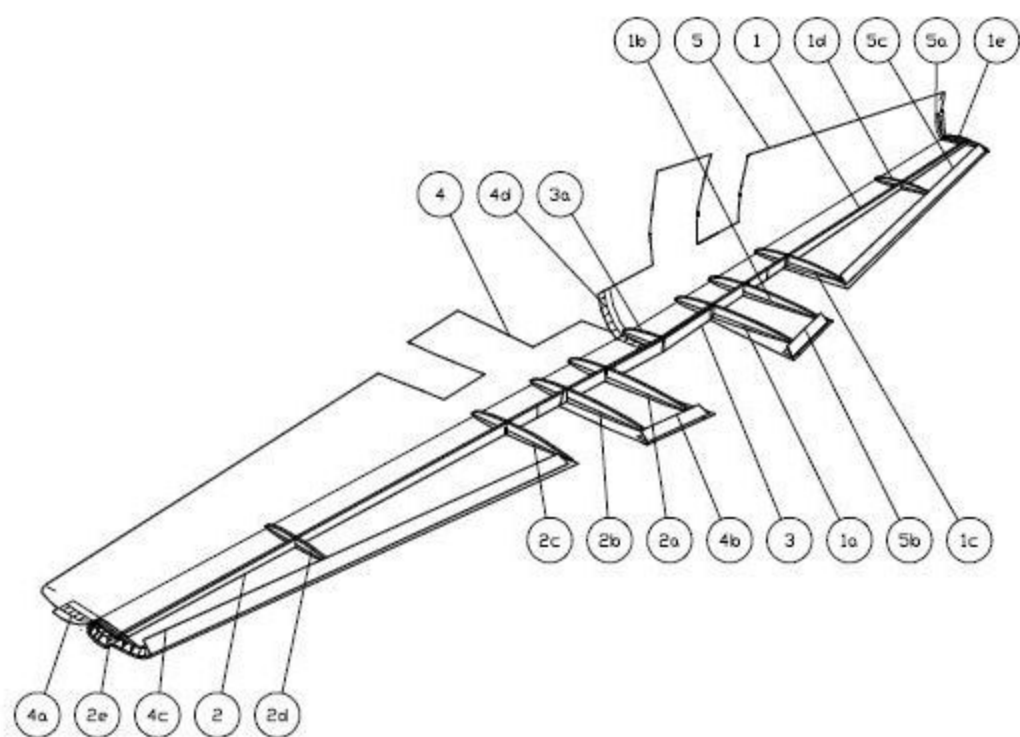
RINALDO PIAGGIO P-180

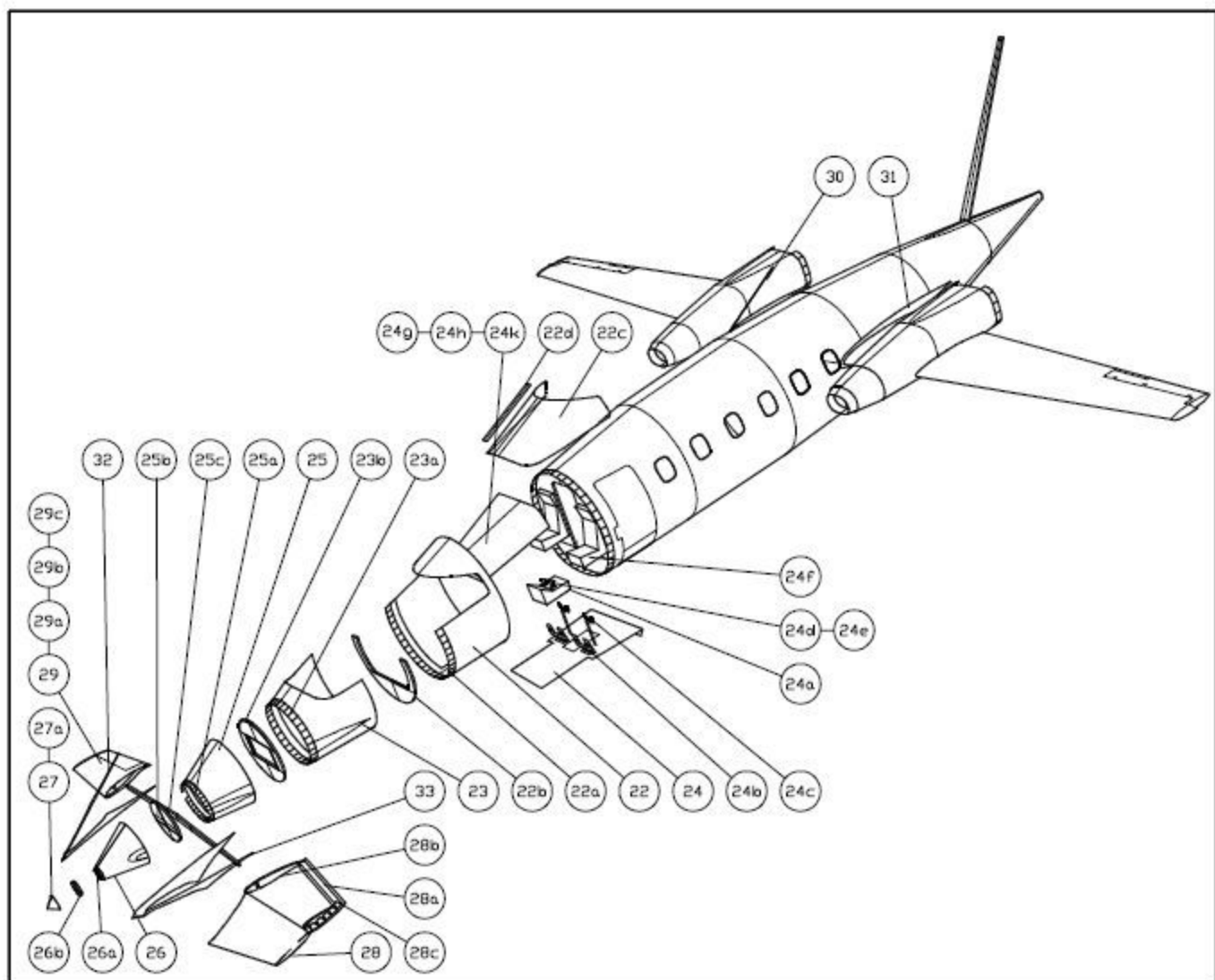
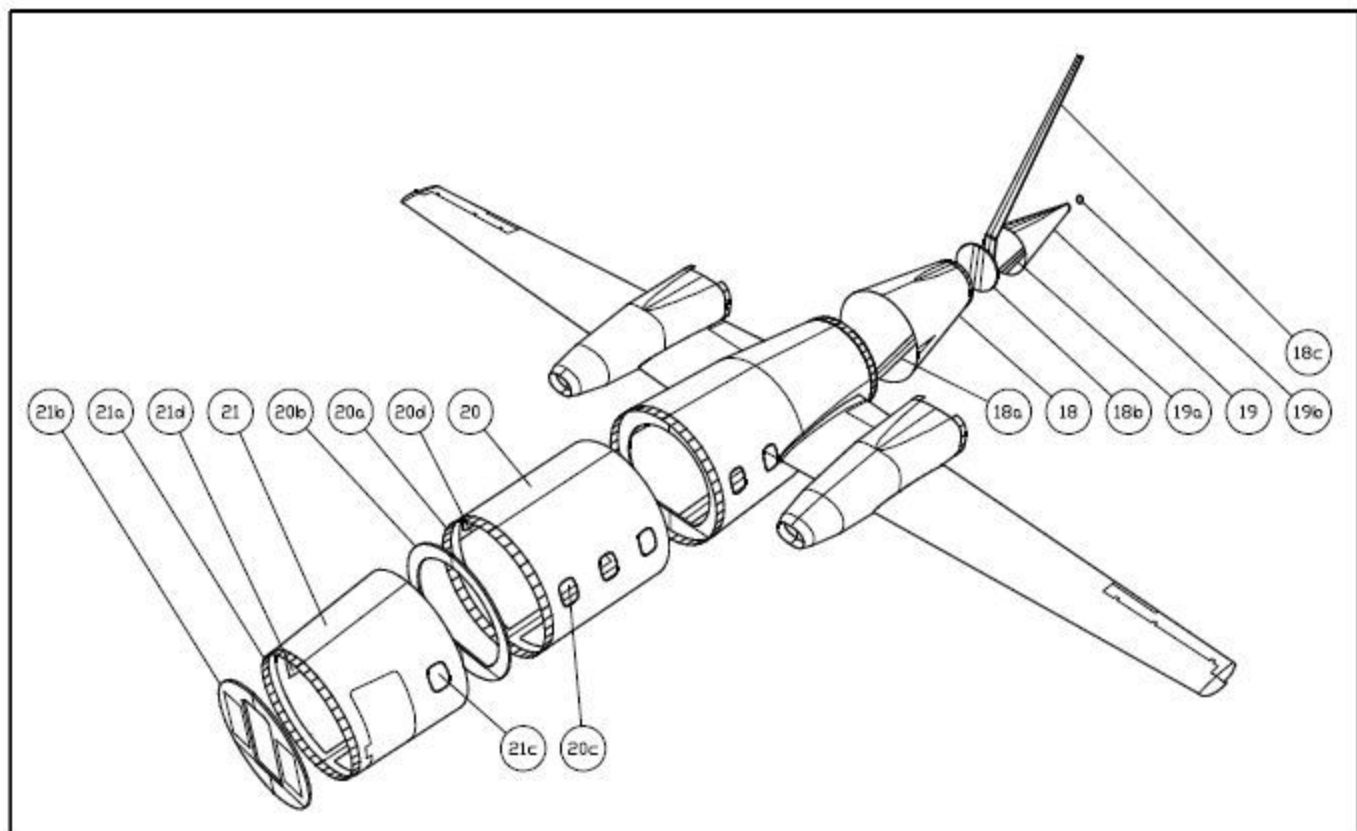
AVANTI

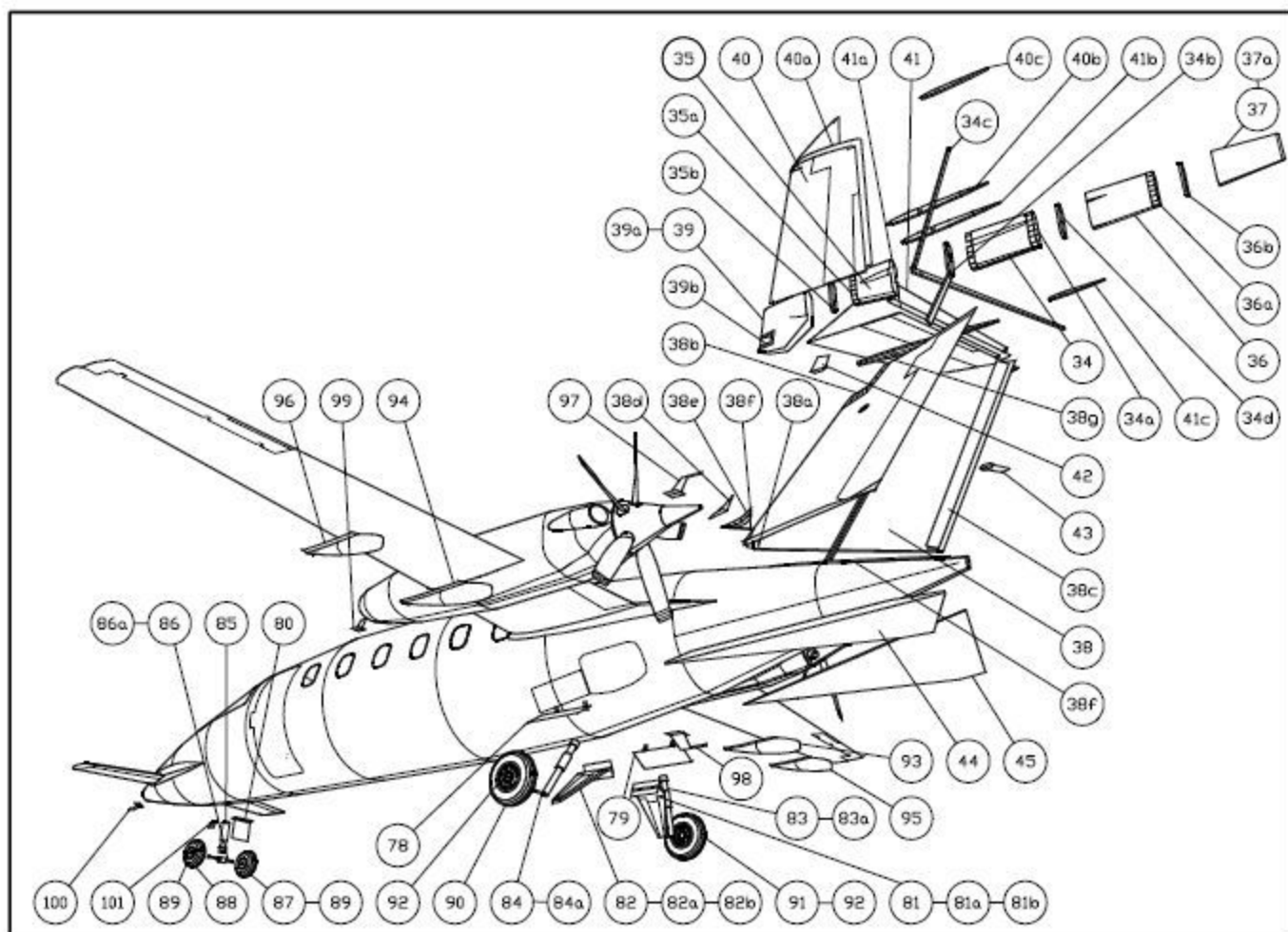
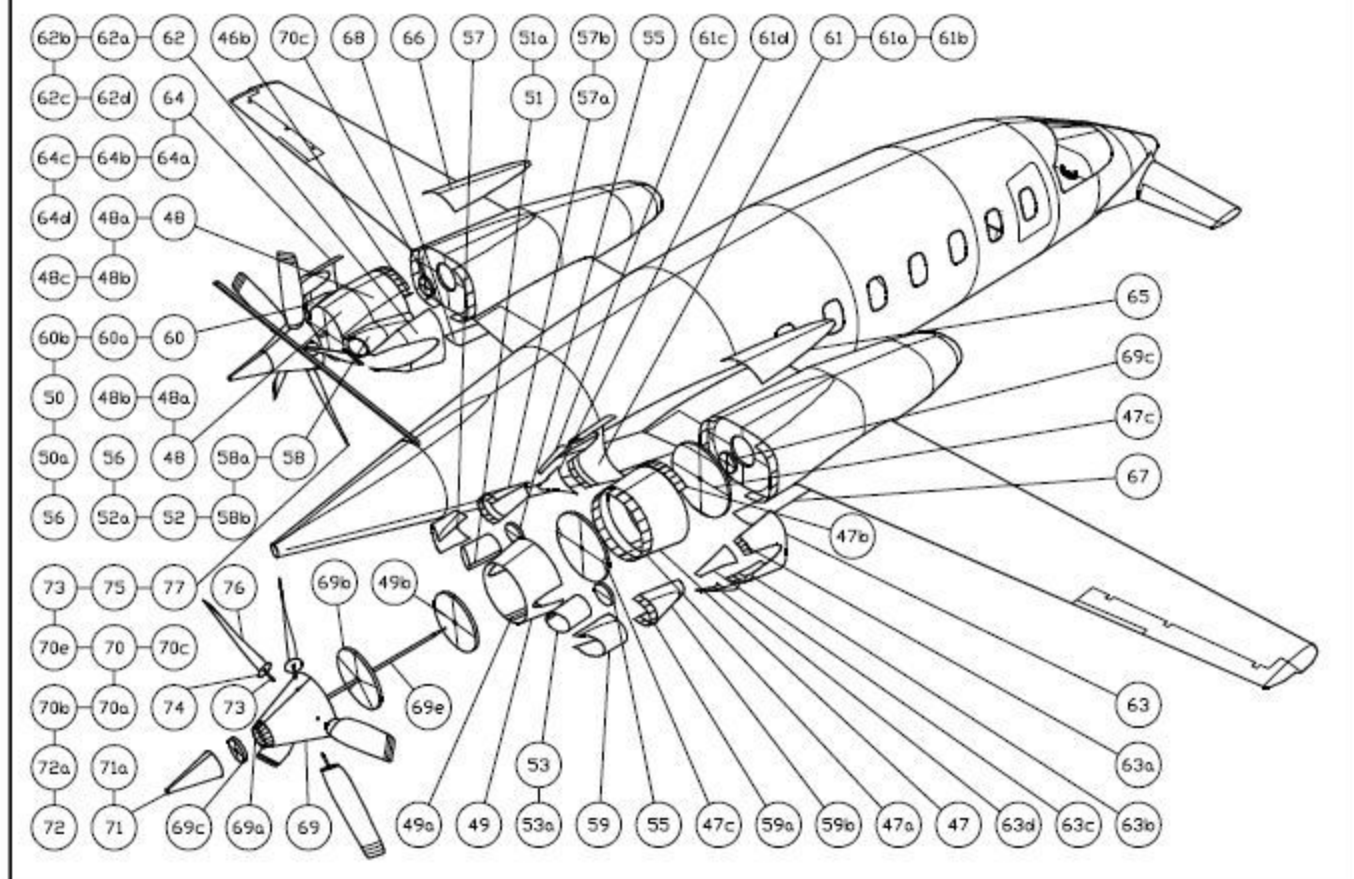
1/32 SCALE PRECISE CARD MODEL

Printed in Bulgaria

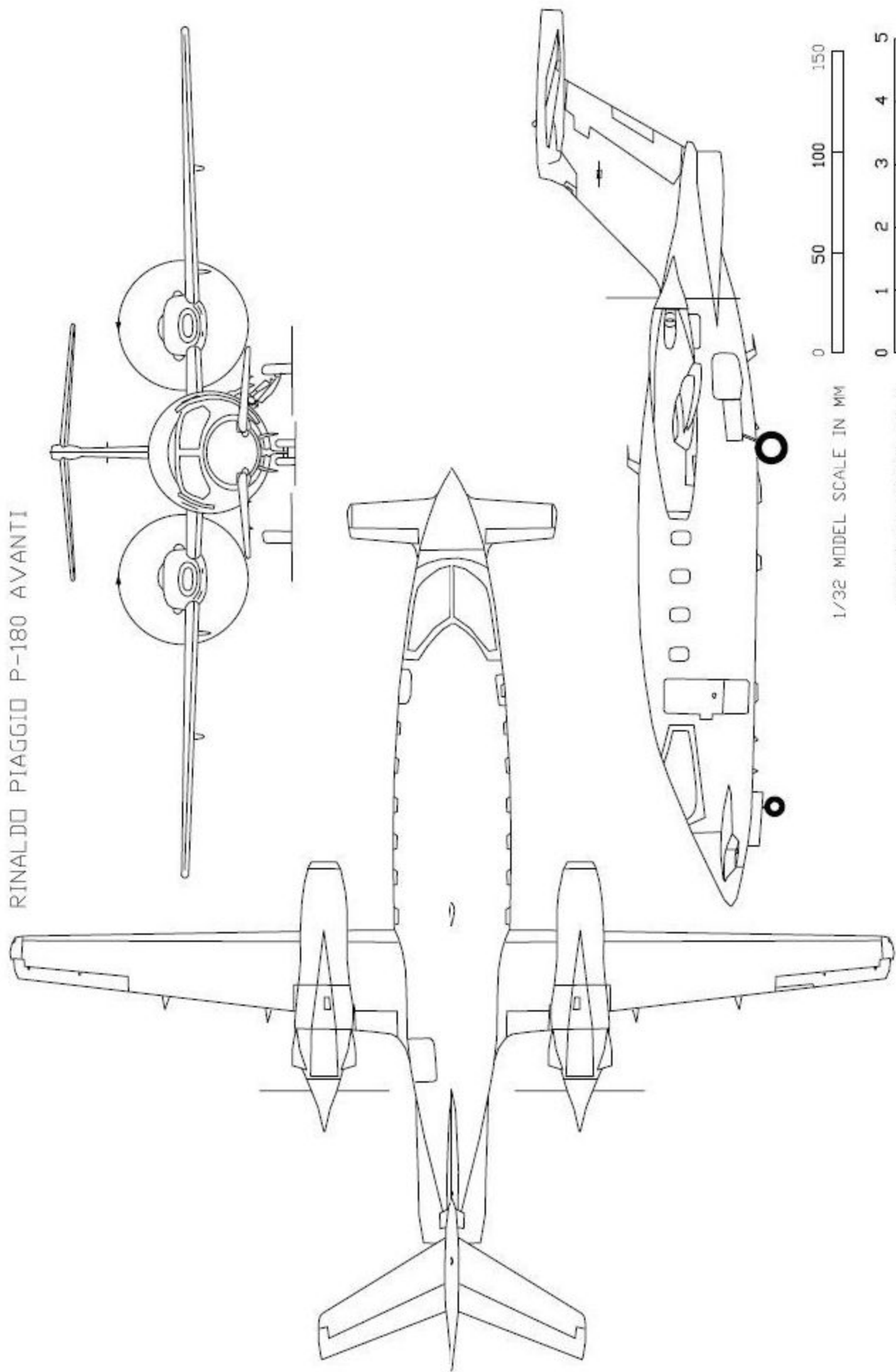






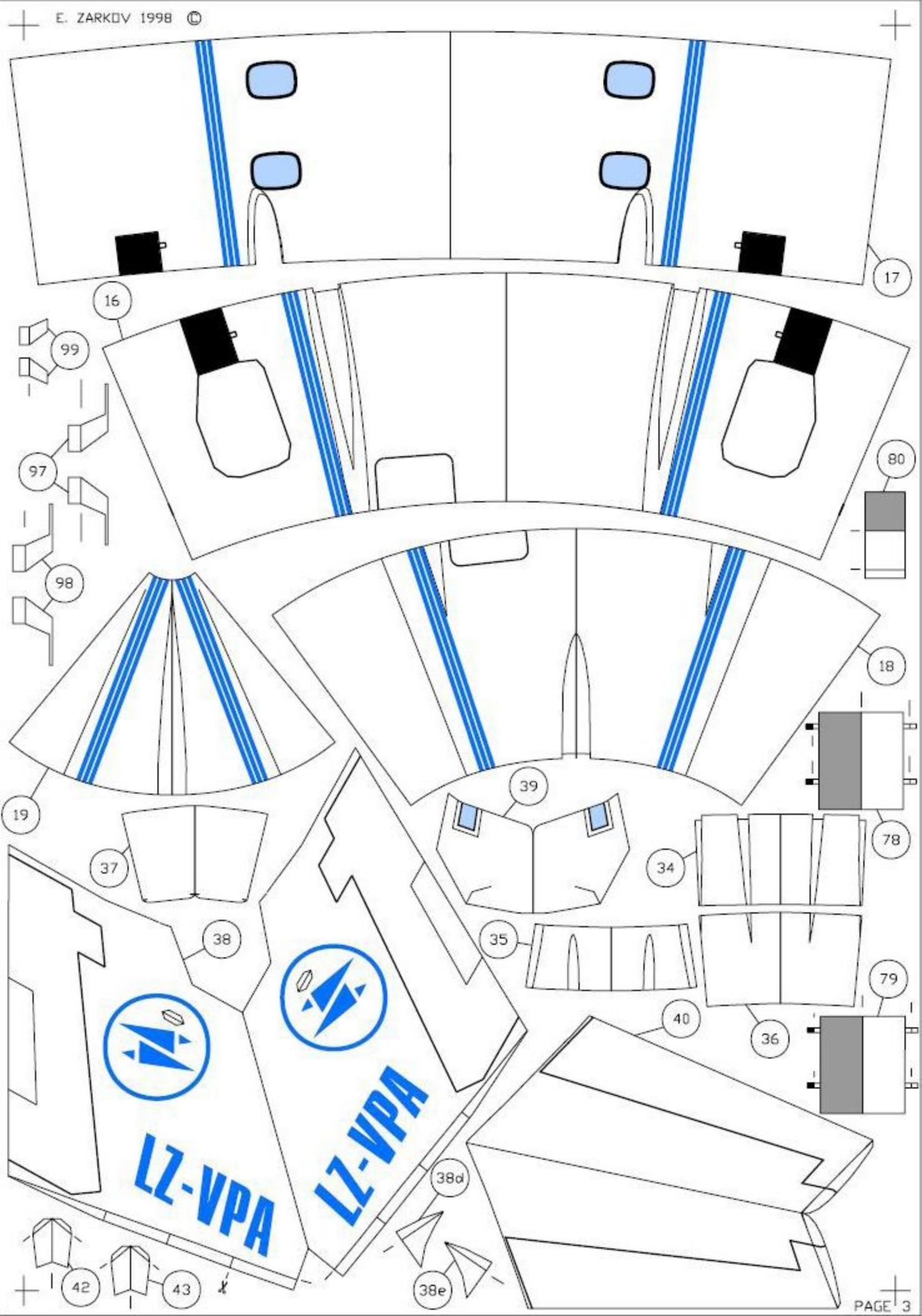


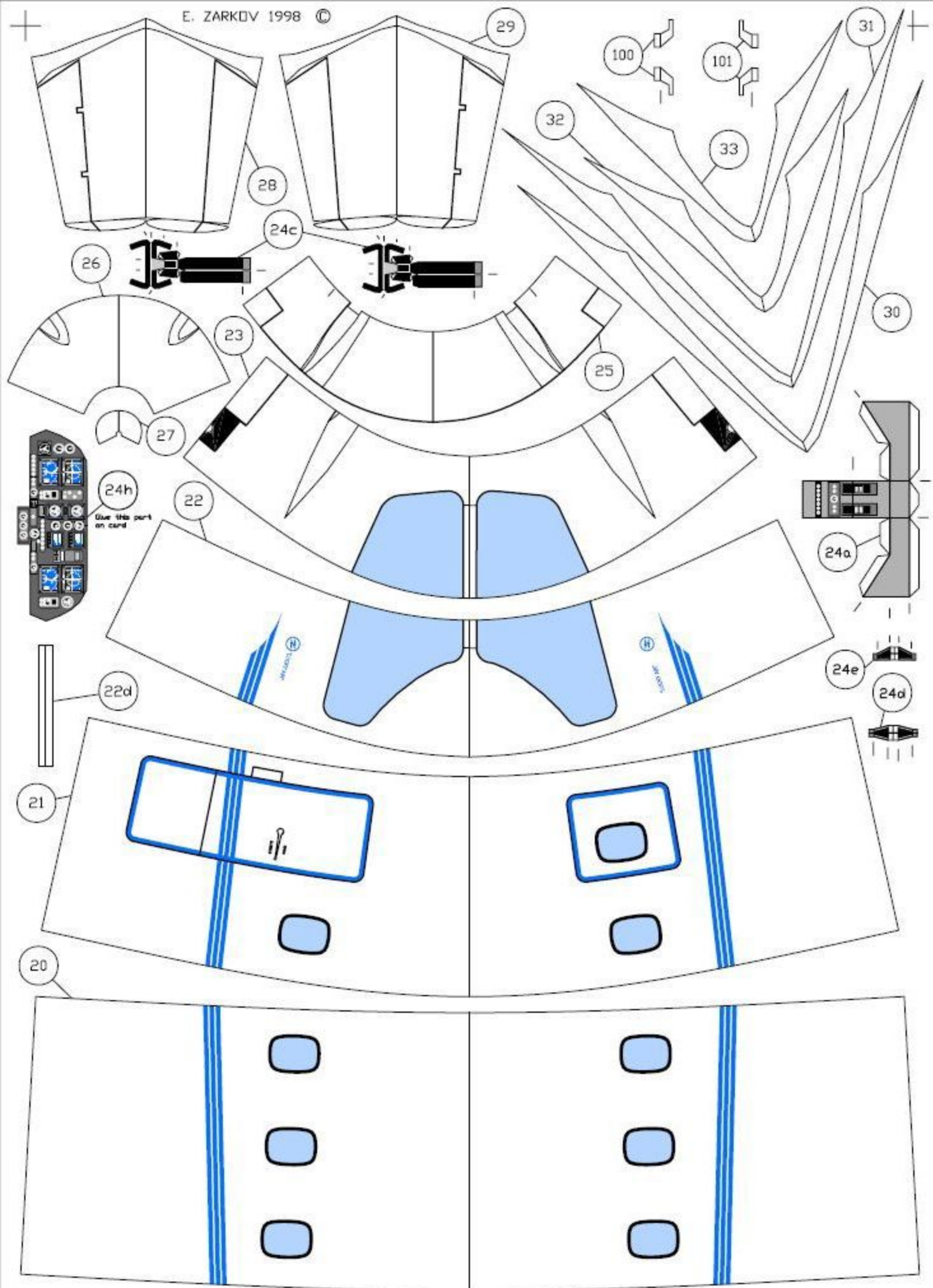
RINALDO PIAGGIO P-180 AVANTI

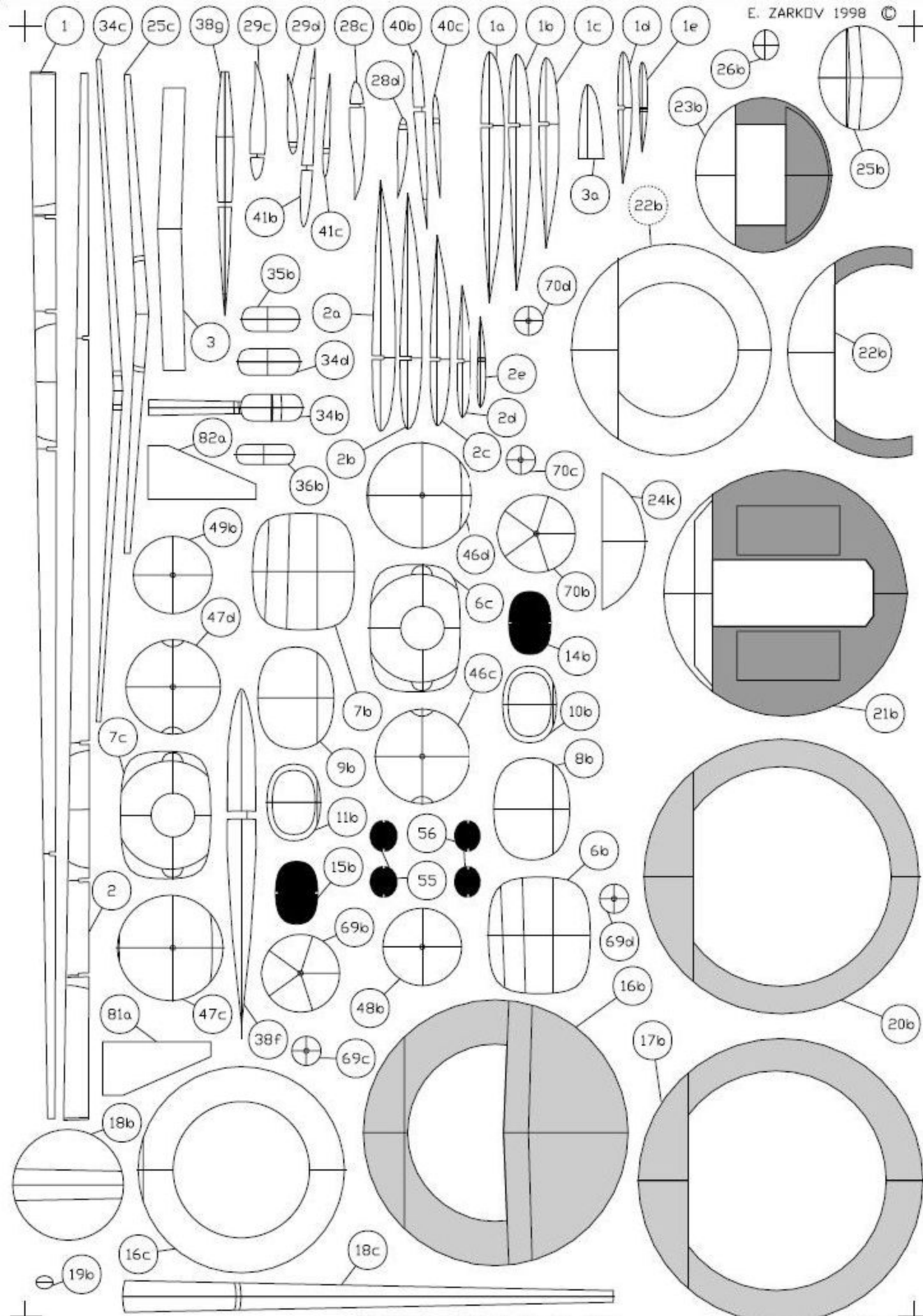


1/32 MODEL SCALE IN MM

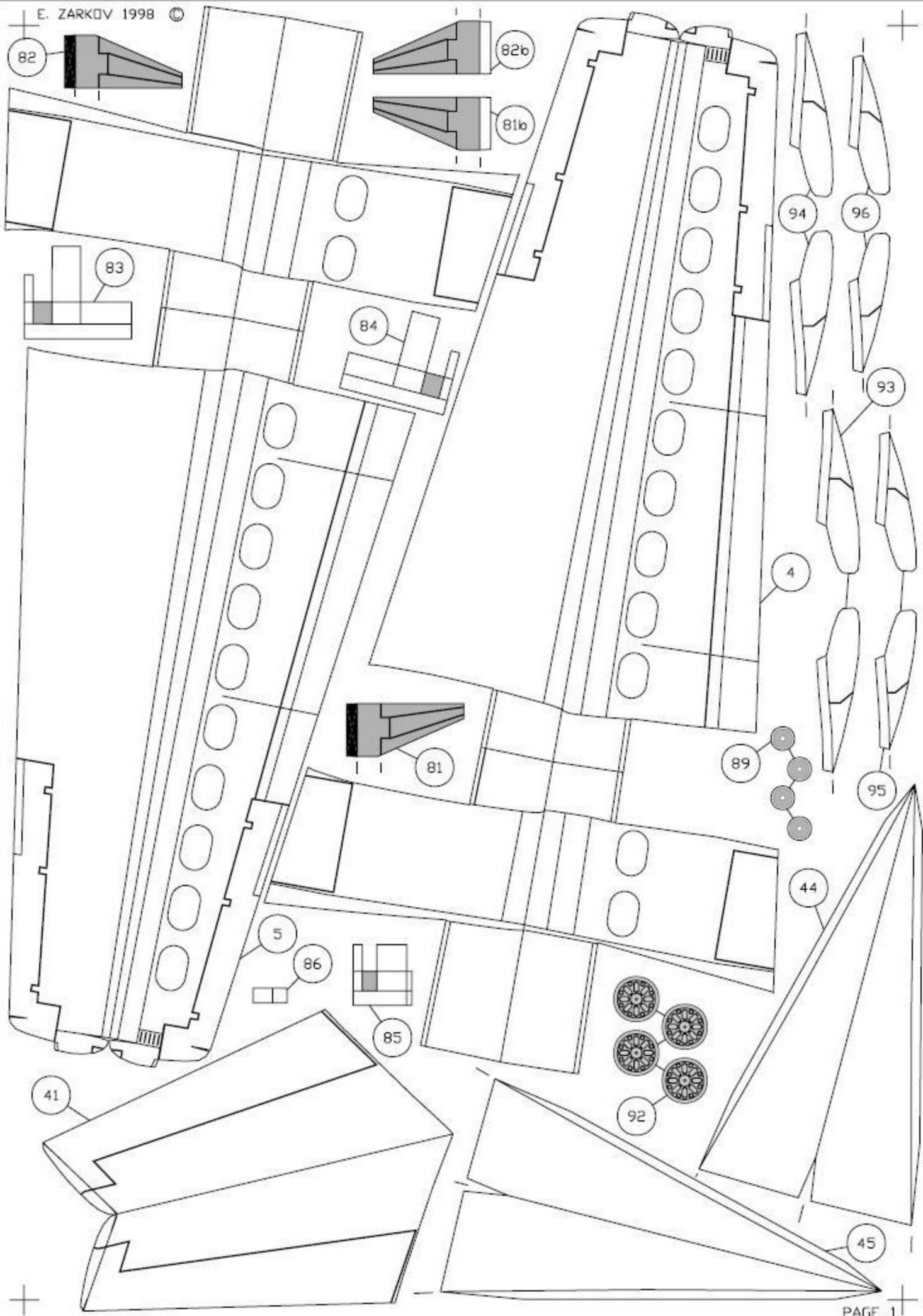
PROTOTYPE SCALE IN M



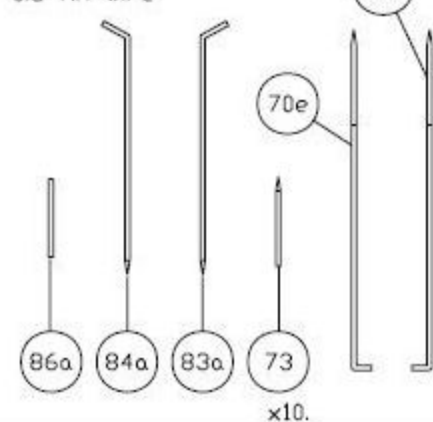




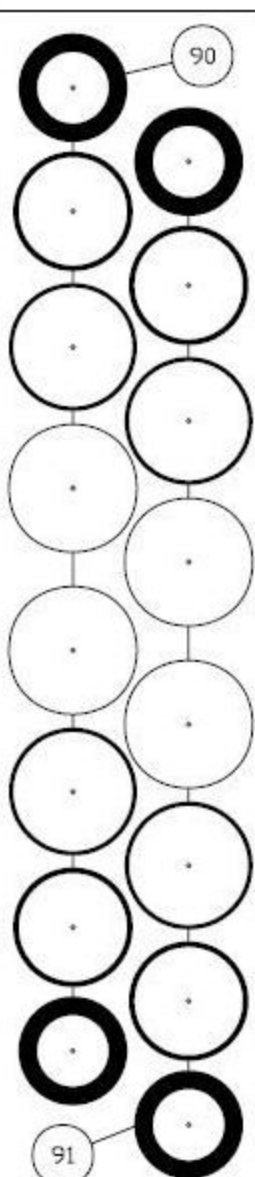
Glue this page on 0.5 mm card



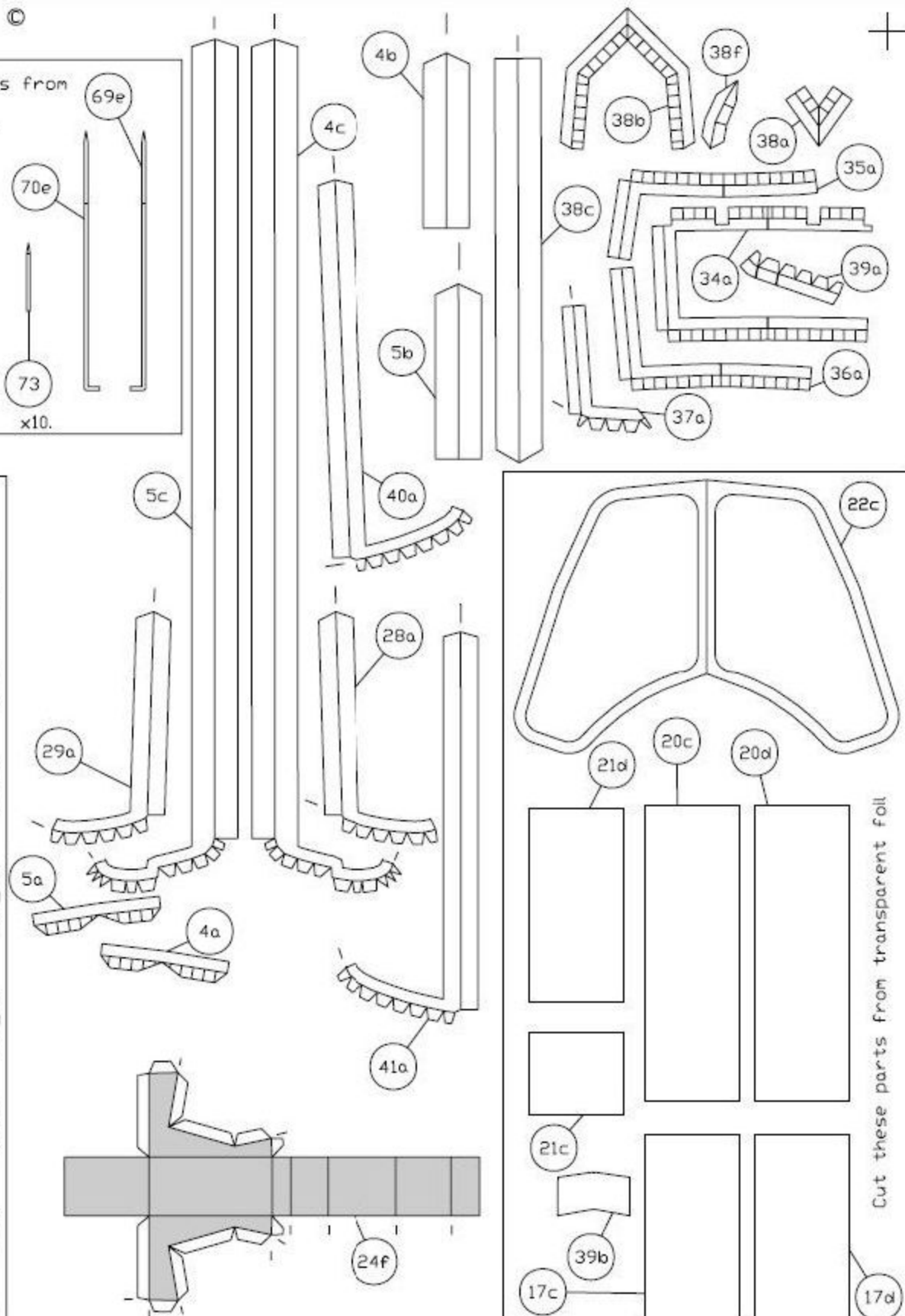
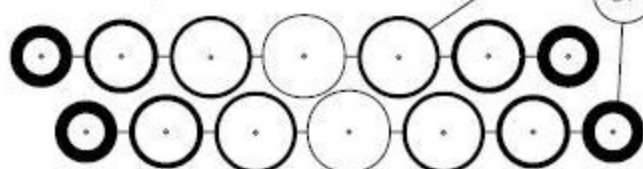
Make these parts from
0.8 mm wire



x10.



Glue these parts on 0.5 mm card.



Cut these parts from transparent foil

