

LOCKHEED  
**F-117 STEALTH**  
DESERT STORM

**PRECISE CARD MODEL** v1ktd

◆ Contains high quality cutouts and assembly instruction ◆ Printed in realistic colors ◆ High resemblance to prototype



The F-117 A STEALTH is invisible for radars and is designed for surgical strikes against hardened, highly defended tactical/strategic targets. Its weapon system is capable of delivering two 2000 pound laser-guided weapons from 25000 feet under cover of total darkness and hitting an one meter target.

**STEALTH FIGHTERS**

# ASSEMBLY INSTRUCTION

## F-117 STEALTH

Study drawings of assembly steps carefully before starting the work on the model. Make sure you understand the purpose and the place of every part.

The assembly requires some basic tools, such as scissors, sharp modeling knife, blunt knife for scoring the fold lines, ruler and needle. Additional material you need is a piece of cardboard approx. 0.3 mm thick for reinforcing some parts and wheels. Of course you'll need suitable cement too. For cement application you can use toothpicks or some similar tool (special fine cement applicator is the most suitable if you have one).

First of all you must score with the blunt knife all fold lines shown on the cutouts with short thin marks near the parts. To avoid mistakes cut necessary details shortly before their use. Shape the details carefully and test their fitting before glueing. Follow the sequence of building shown in this instruction.

Start with the lower area of the model. Cut the parts 1 - 6 and glue them together as shown on the view A. Fix the landing gear and weapons bays 9 - 12 on their places.

Fold end glue the front edges of 1 and 2. Cut the wings 7 and 8 and after forming glue their under surfaces to A.

To obtain firm structure of the model glue strengthening elements 13 - 18 as shown on the view B, and then assembly the wings. The front and rear edges of the wings must be straight. Do not allow twisting of the wings. Glue the engine exhausts 19, 20 to their places.

Prepare the upper part of the fuselage using details 21 - 29 according to view C. After assembling it glue the strengthening elements 30 and 30a to the bottom of 28.

Carefully test fitting between C and B and then glue them together as shown on view D. Glue the nose part 31, vertical stabilizers 32, 33 and landing parachute cowling 34, 35. Assembly the four Pitot sensors 36 - 43 and glue them to the nose 31.

Continue with the landing gear. Prepare the wheels, gluing the parts 51, 52, 53, string them on 3 pins. Use all or some of them in depending on the card thickness used to obtain proper wheels' thickness. After drying the glue round their edges with sandpaper and paint them with black ink.

Prepare the landing gear base from thin wire or pins. Assembly the landing gear using parts 44 - 49, following view E.

After installing it to the model, glue the landing gear doors 54 - 56 and retractable antenna 53.

Assembly the armament racks 57 and 58 and glue them together with the bomb doors 59 to the bomb bay 9, 9a.

Now start assembling of the GBU-10 laser guided bombs, referring to view F. The bombs contain many small details, but the sequence of their assemblage is classic - they consist of conical surfaces with connecting elements and formers - parts 61 - 72. Glue them after assembling together with holders 60 to the armament racks 57, 58.

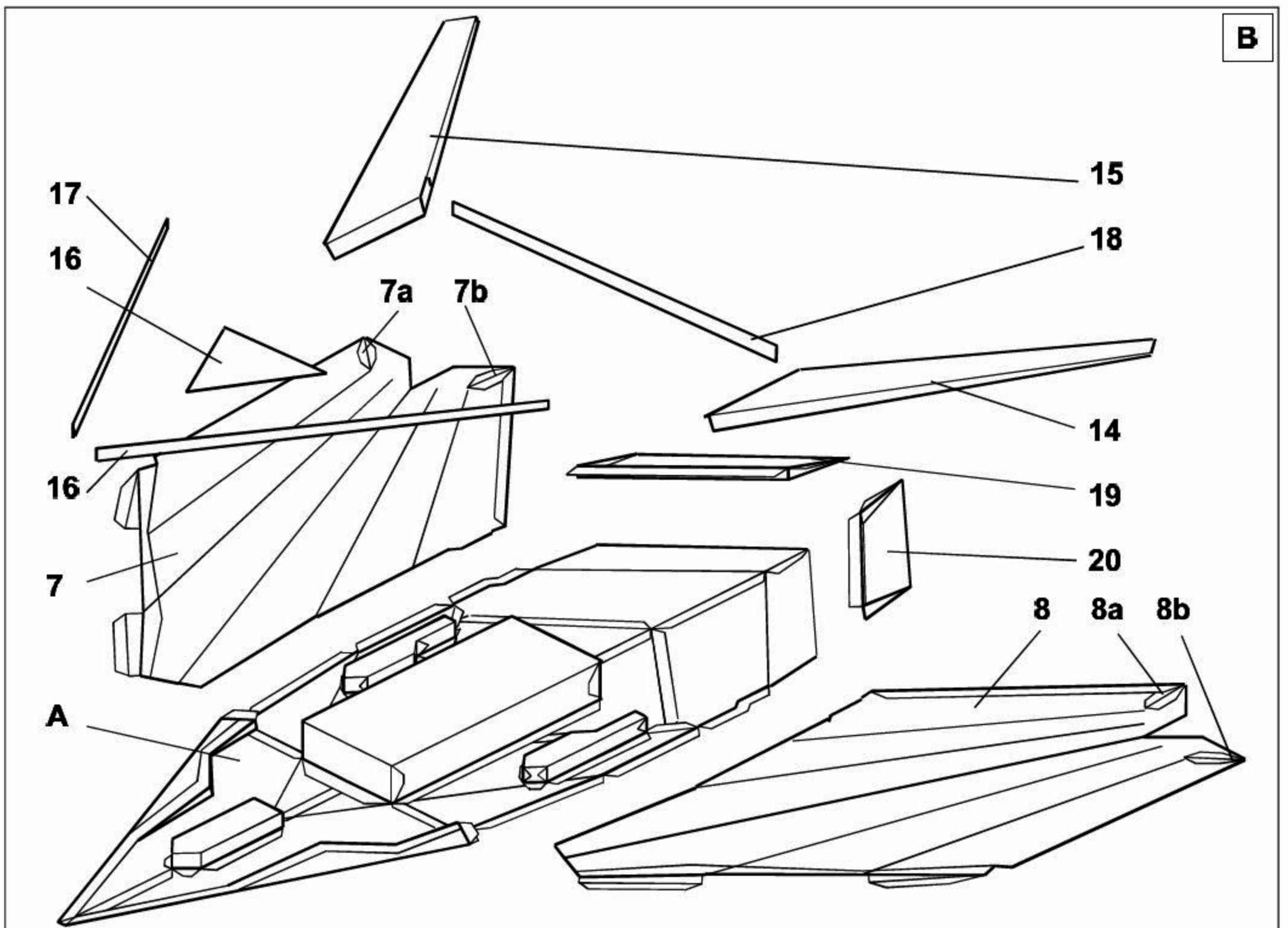
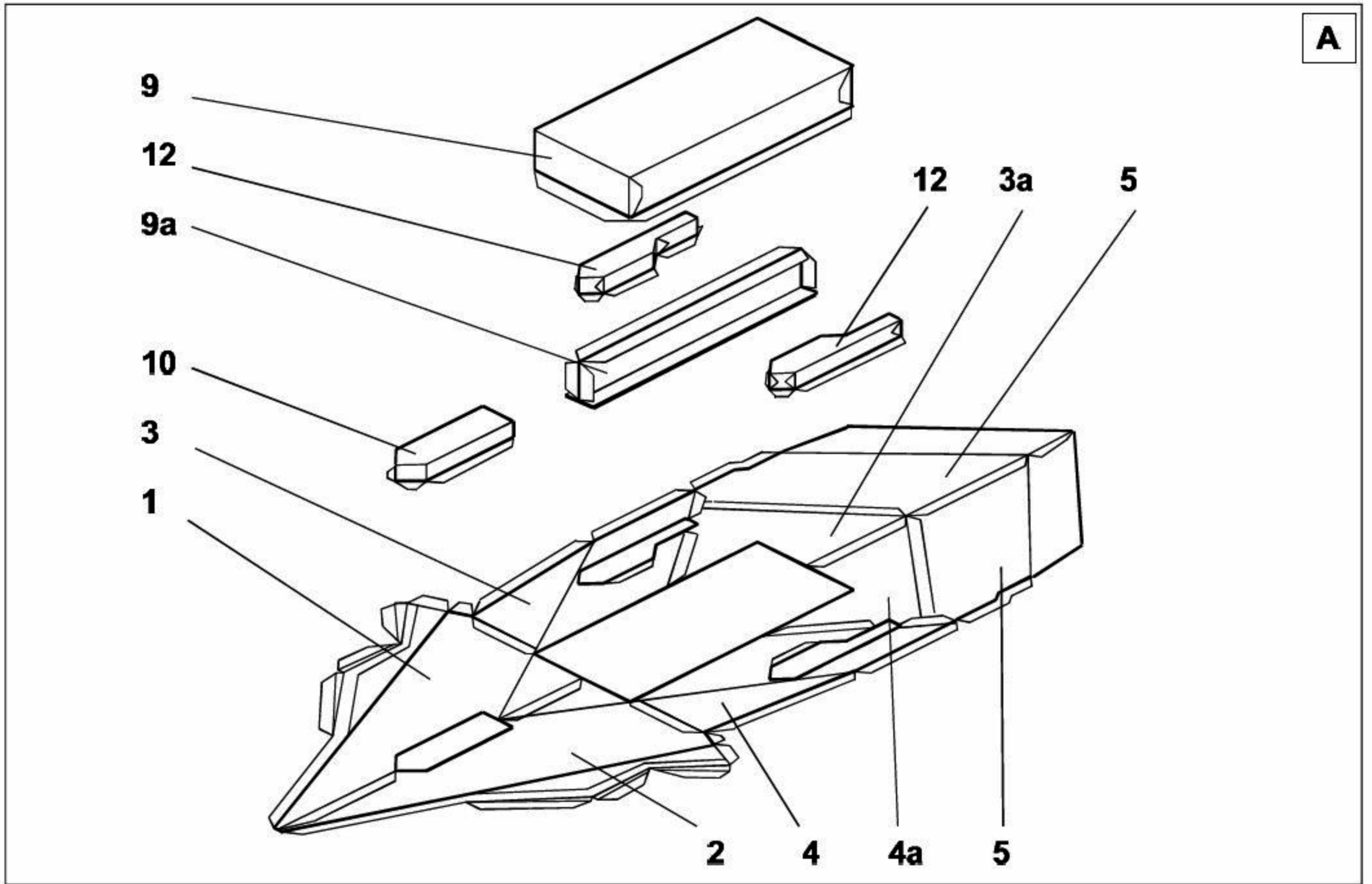
If you prefer flying model, you can build it with landing gear in up position and closed bomb doors, omitting the parts 44 - 52, 9, 9a, 57, 58 and 60 - 72.. In this case you should not cut the holes of the landing gear and armament bays on parts 1-4 and should glue the external parts of the doors 53 - 56, 59 there. Yo can omit also the Pitot sensors 38 - 43 and antenna 53. For achieving appropriate flying characteristics you should also add some weight in the model's nose.

Now your model is ready.

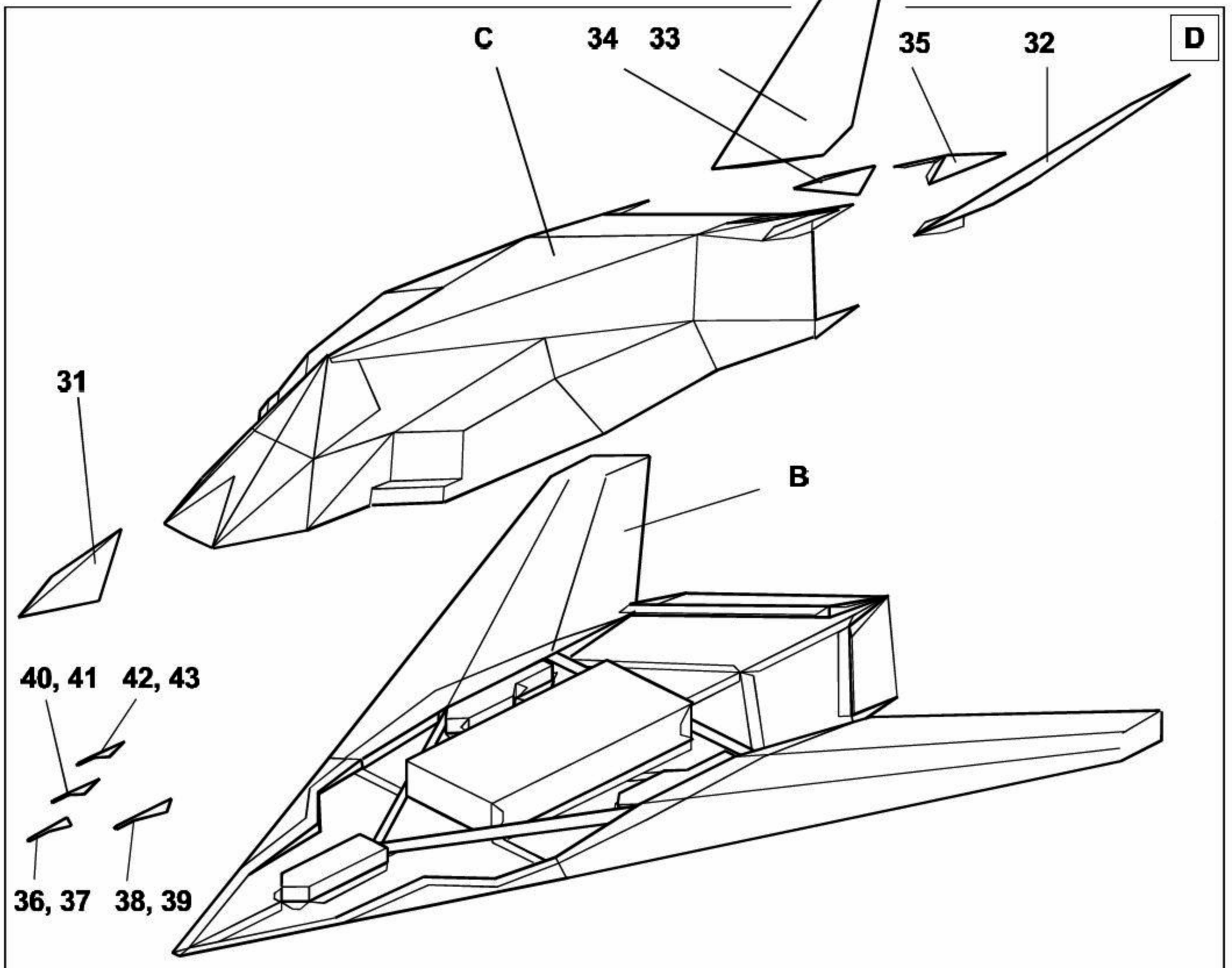
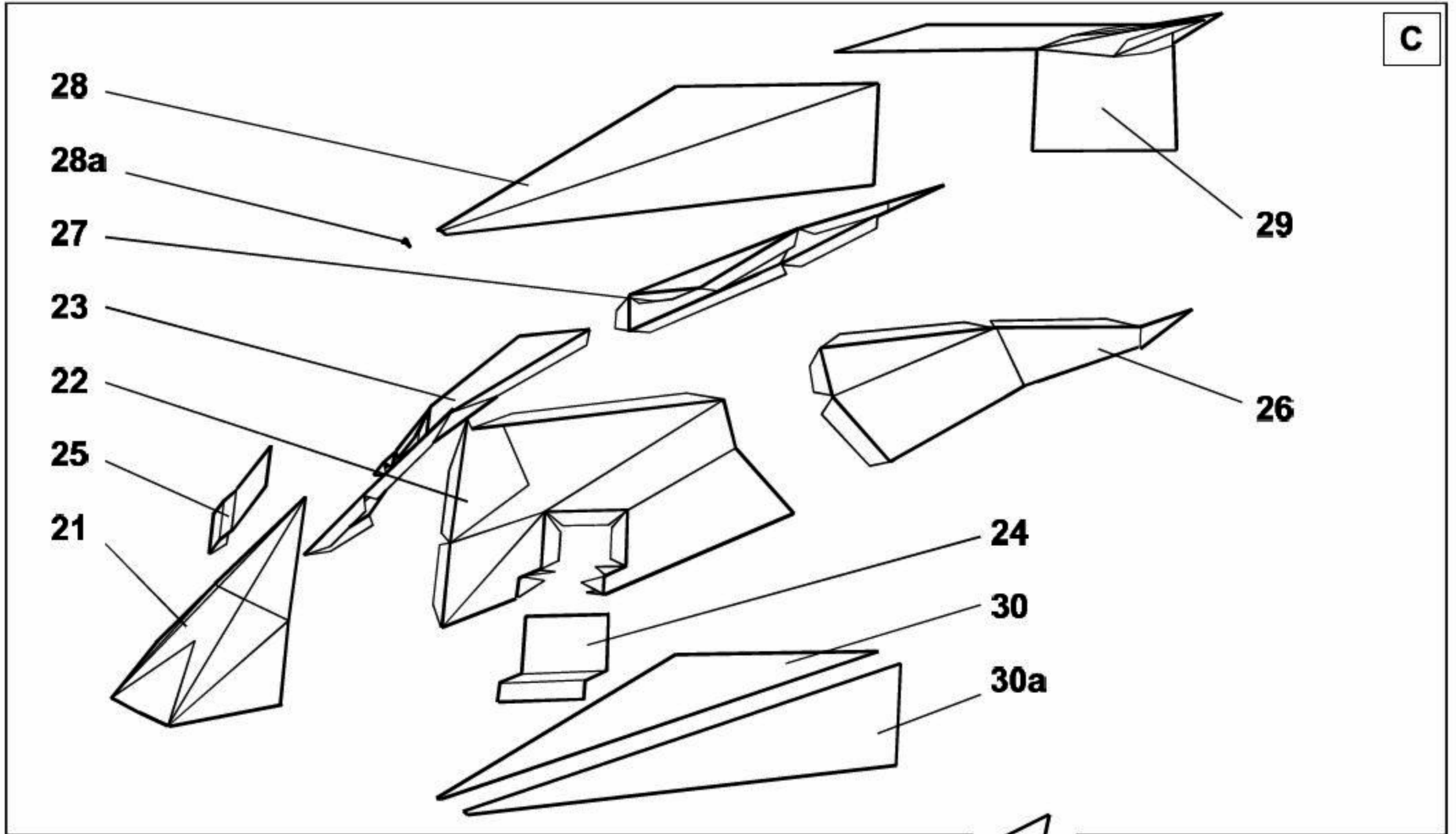
Enjoy your F-117 STEALTH



# ASSEMBLY INSTRUCTION

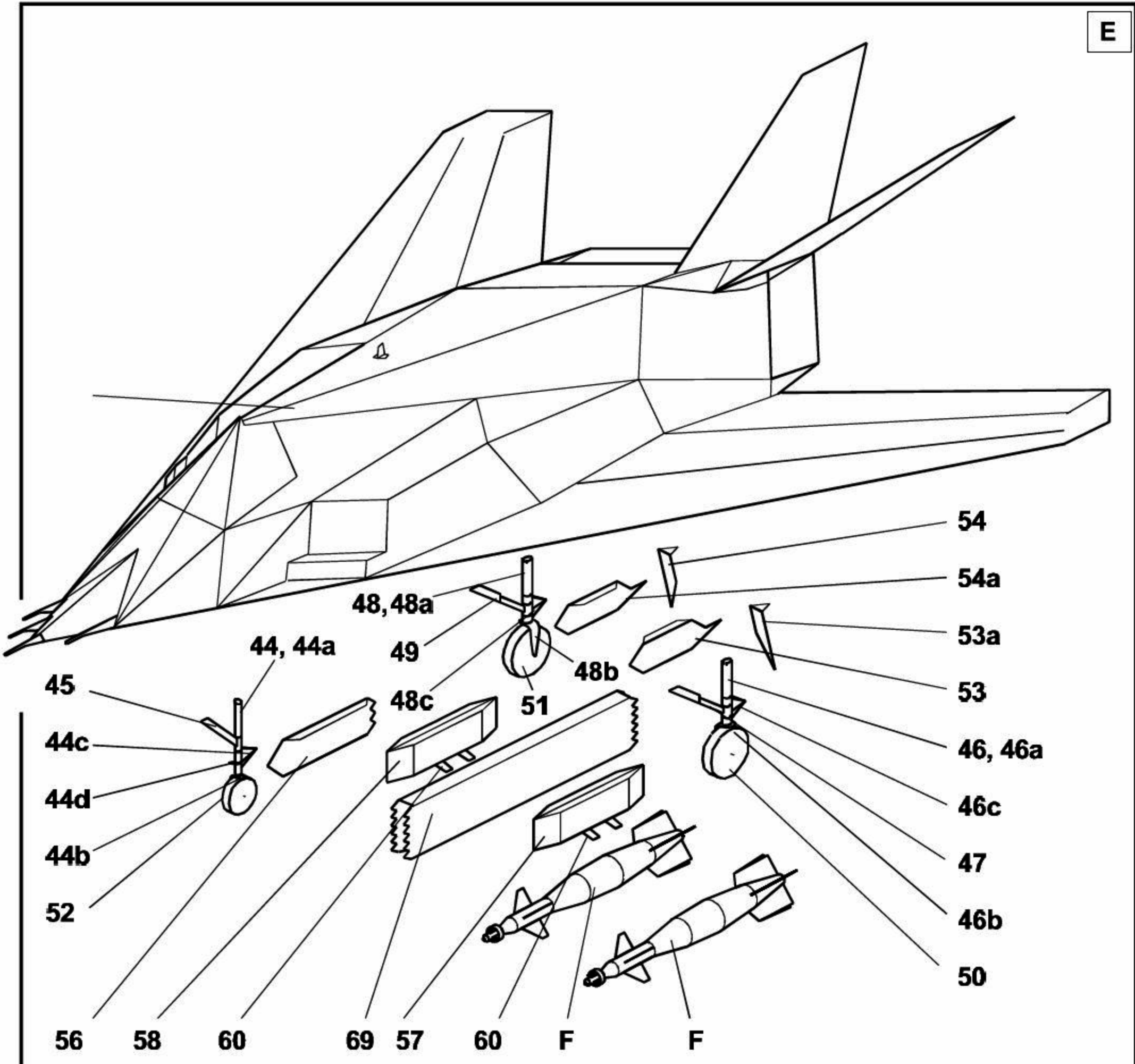


# ASSEMBLY INSTRUCTION



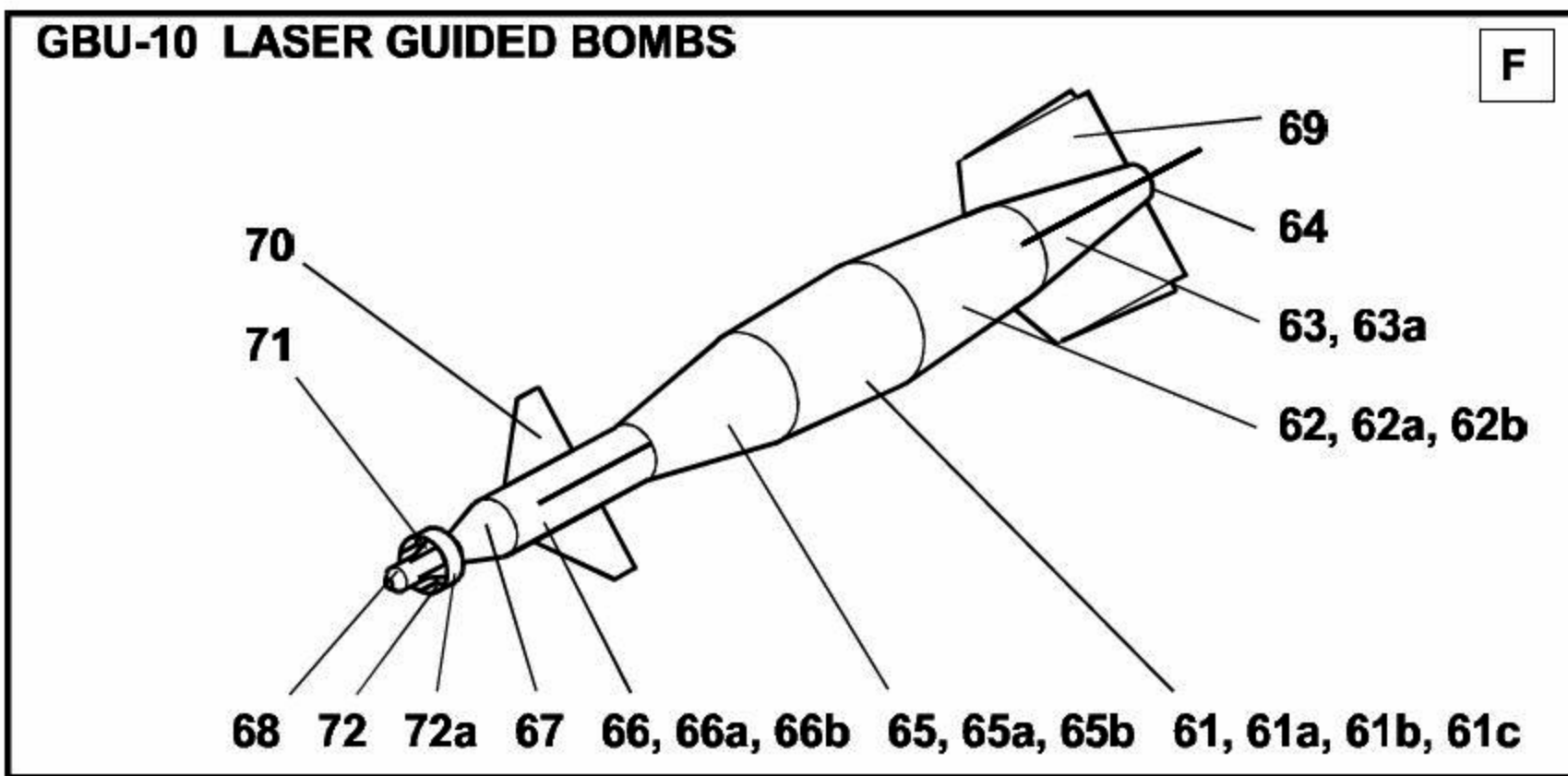
# ASSEMBLY INSTRUCTION

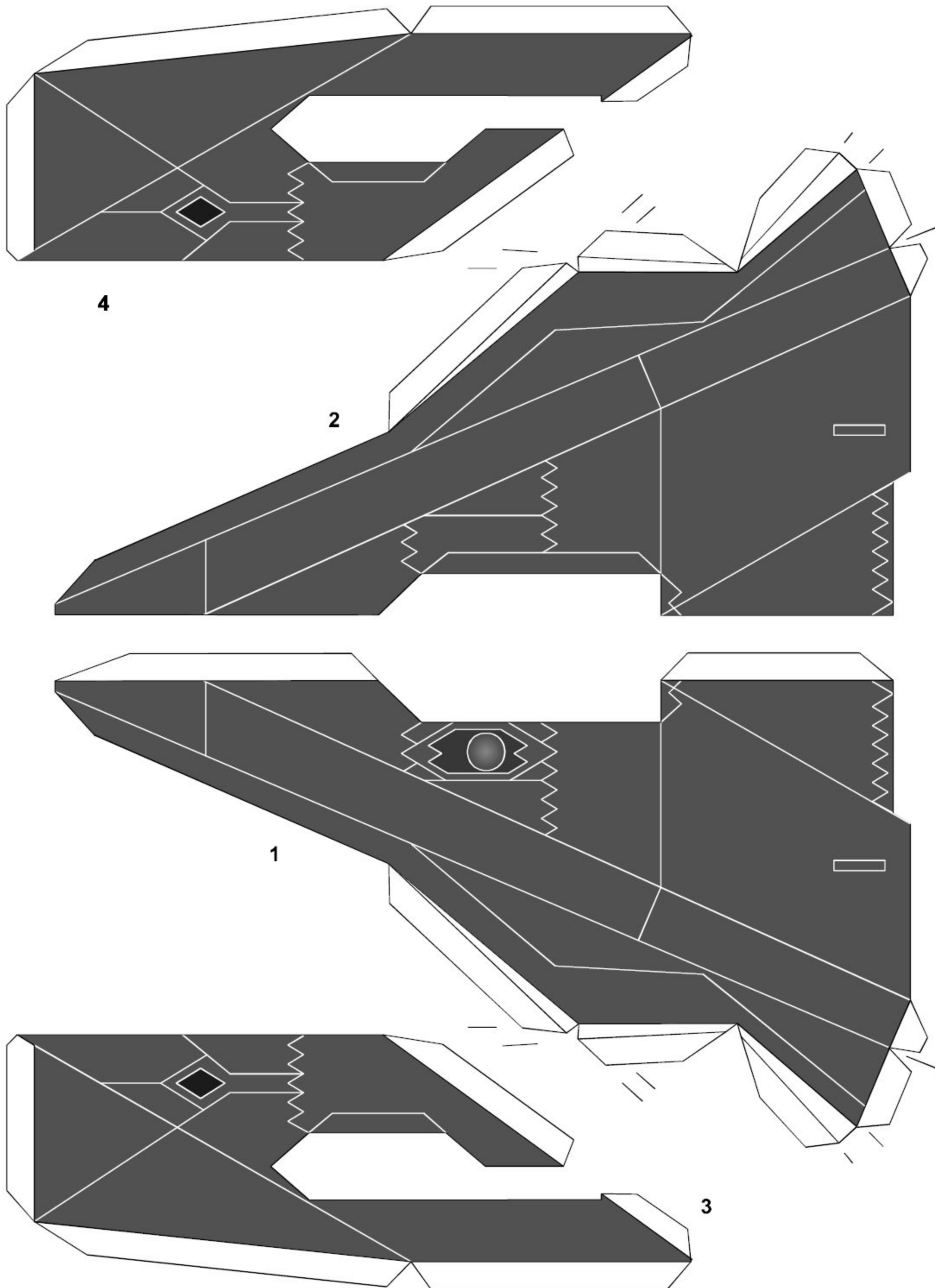
E



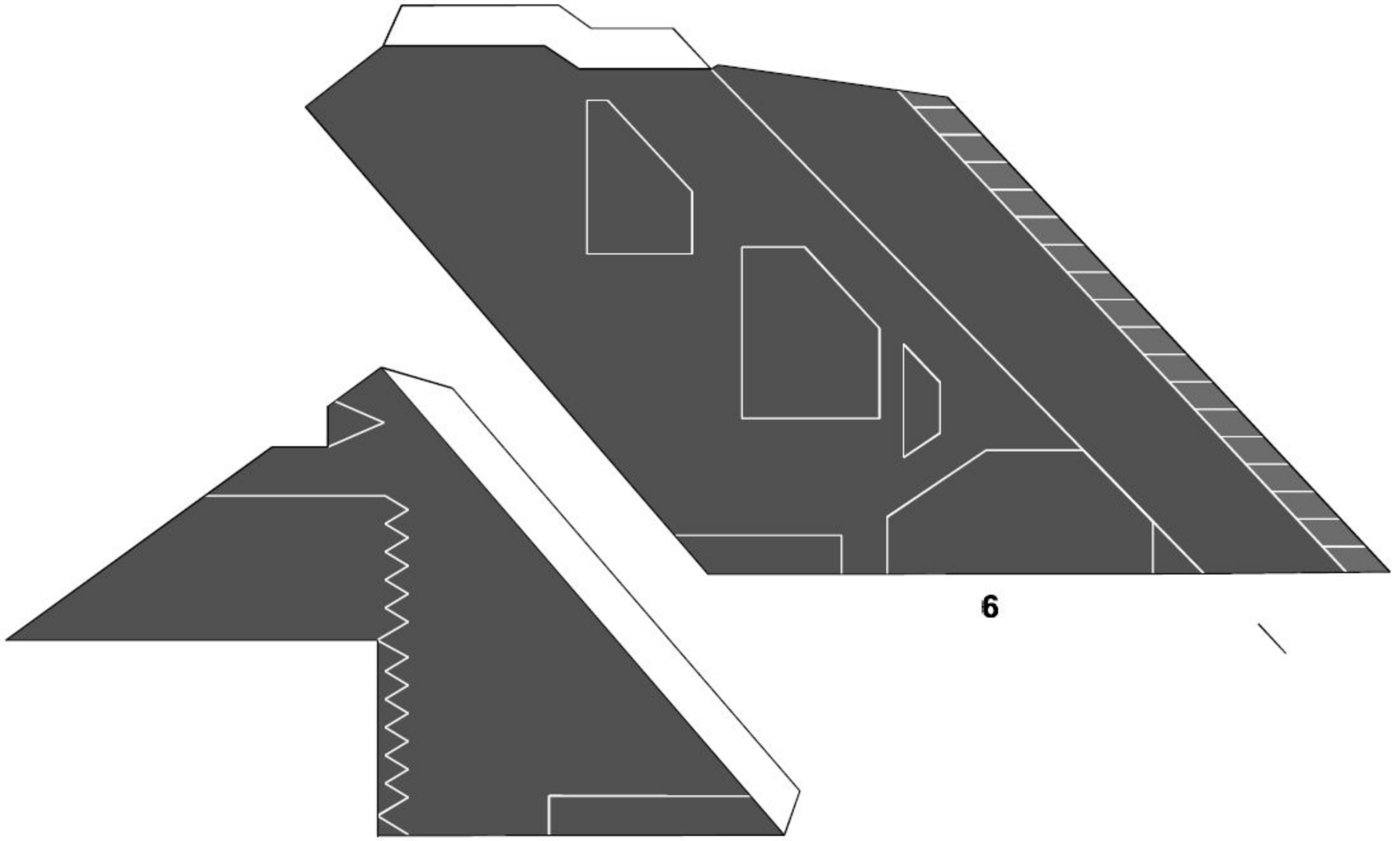
## GBU-10 LASER GUIDED BOMBS

F



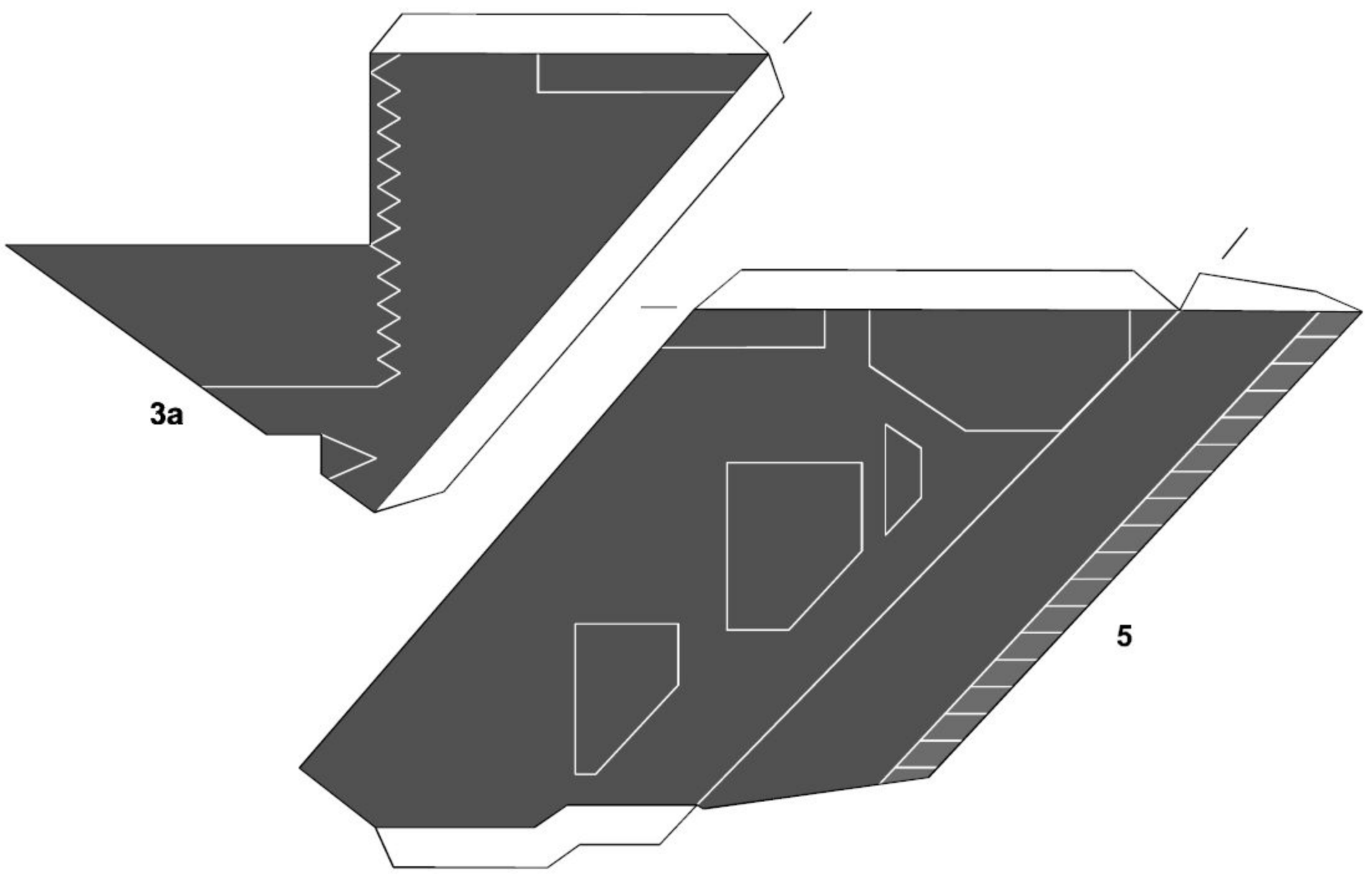






4a

6



3a

5

8b



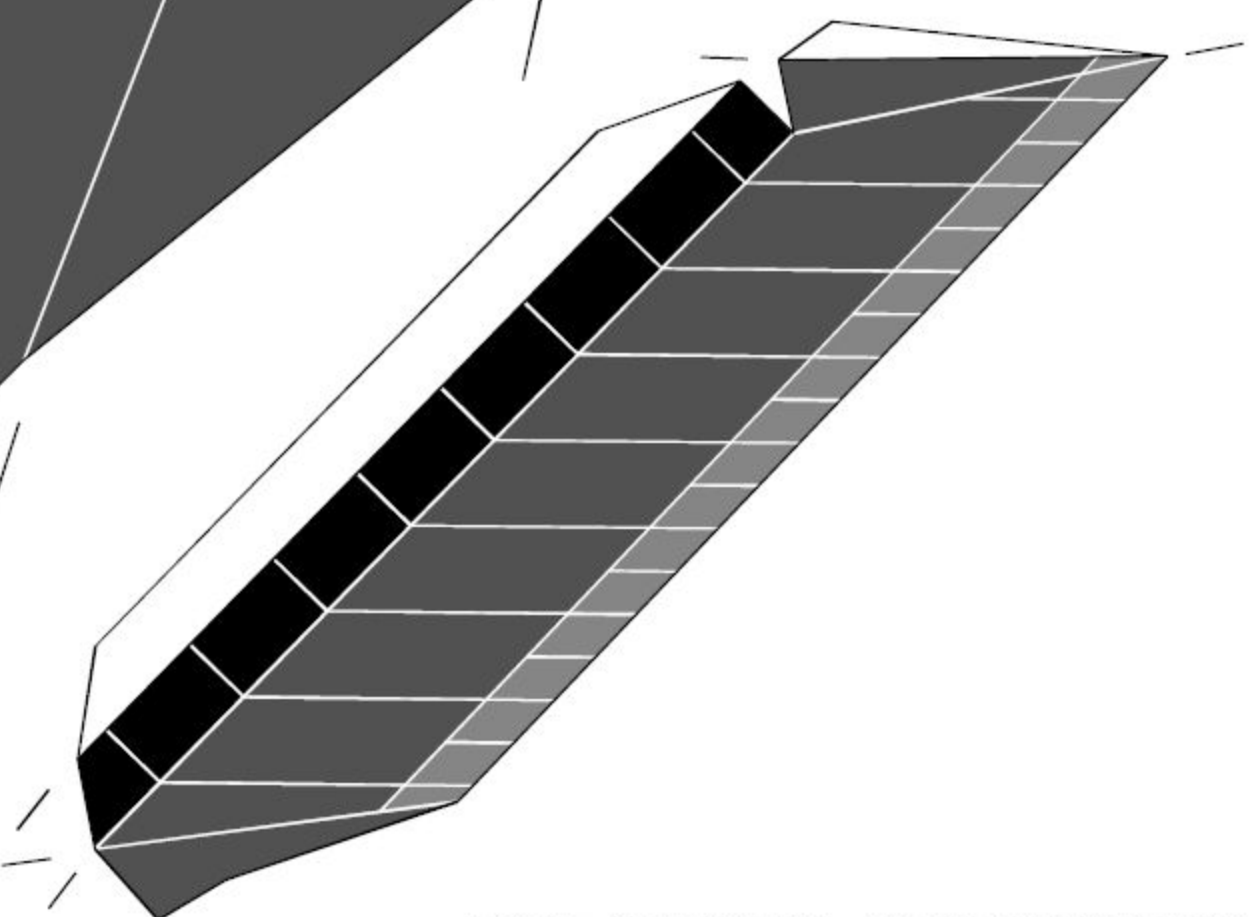
8a



8



20



7b



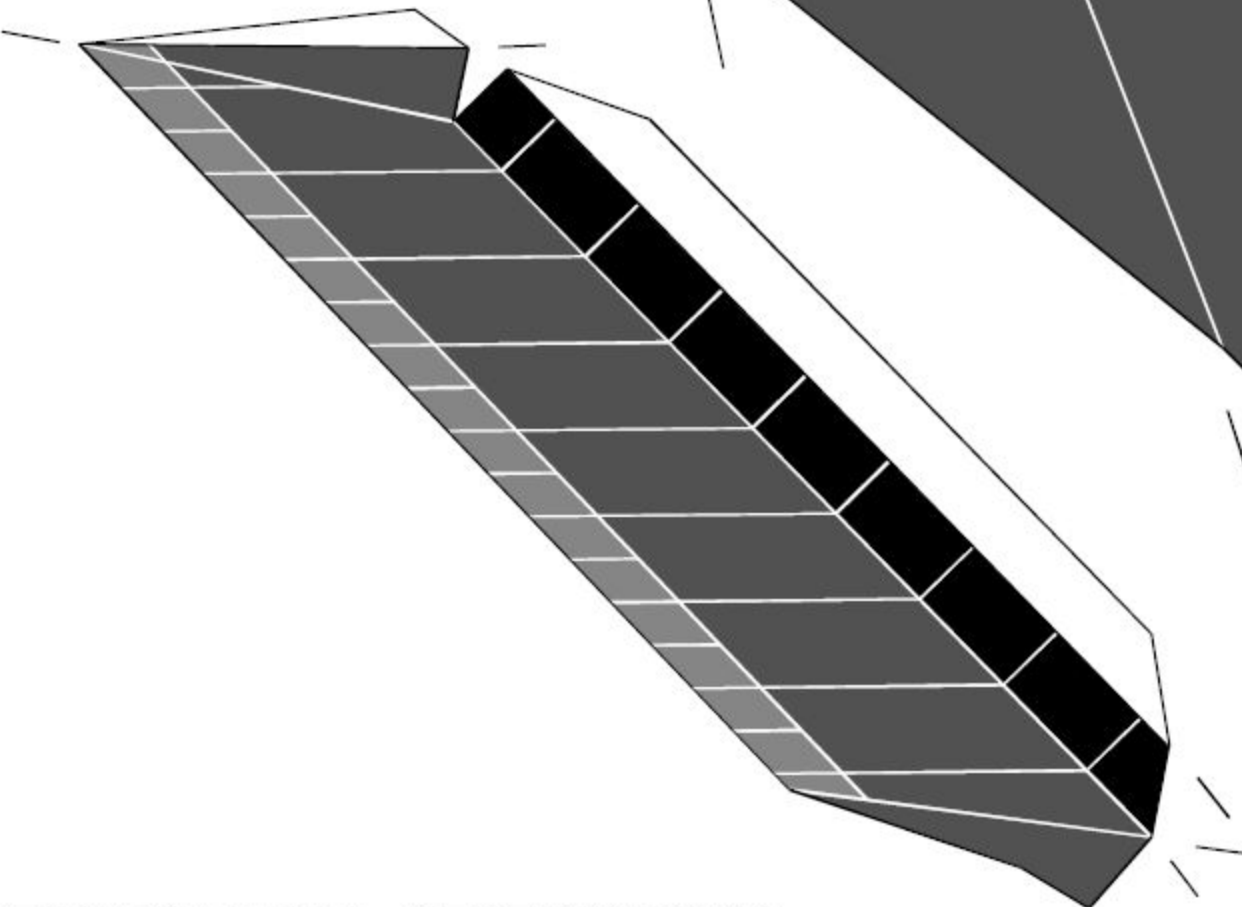
7a

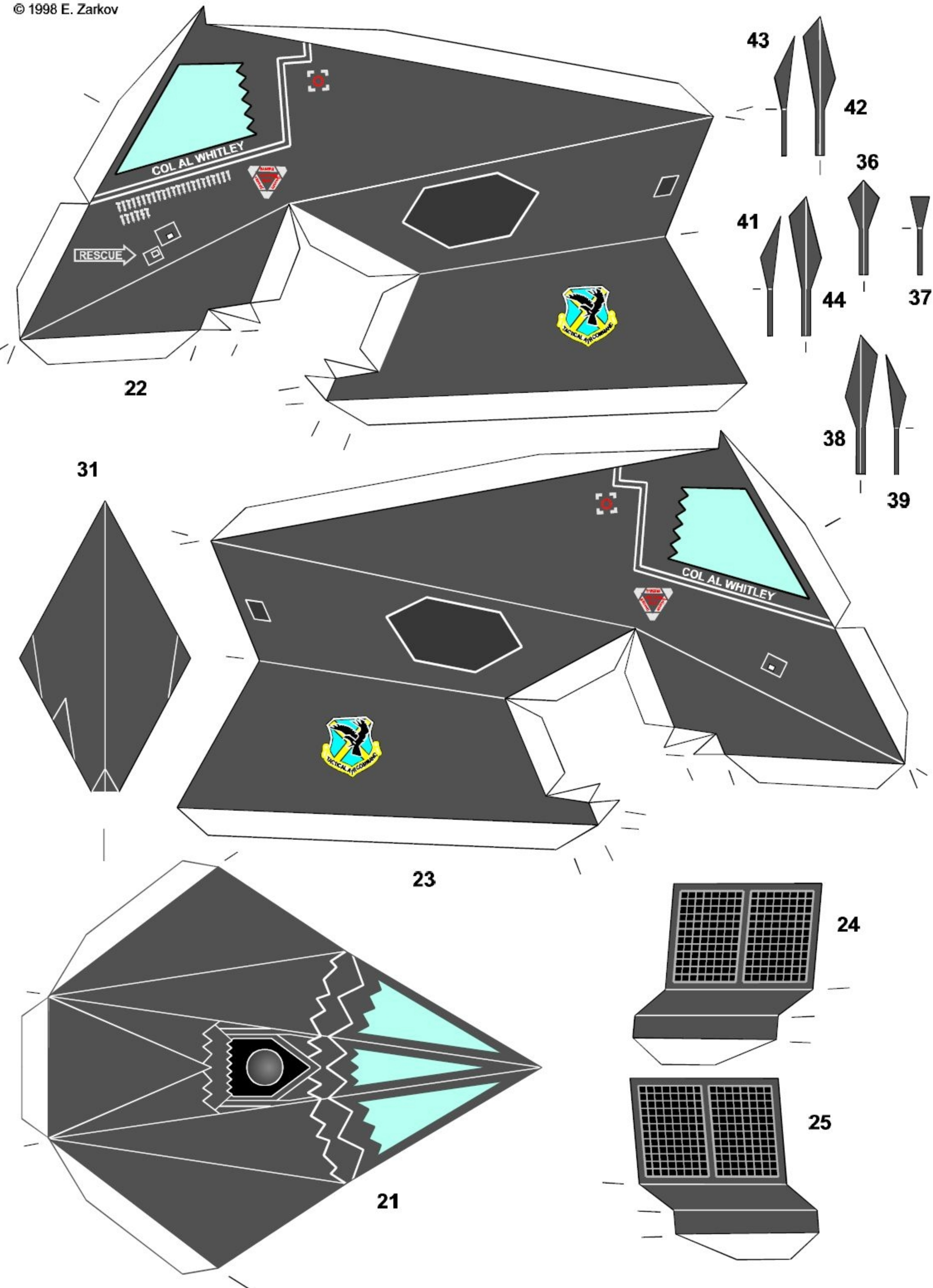


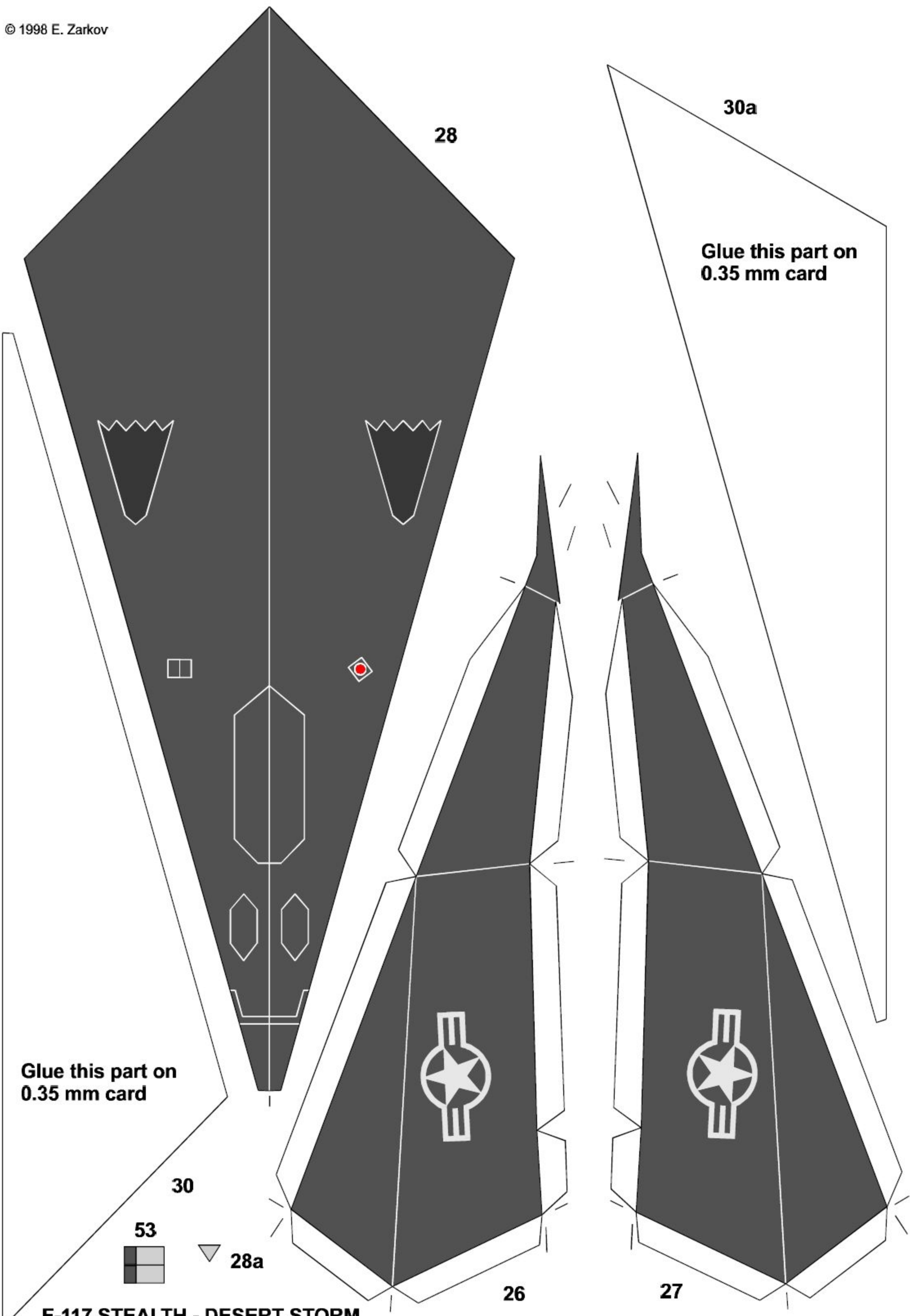
7



19







28

30a

Glue this part on  
0.35 mm card

Glue this part on  
0.35 mm card

30

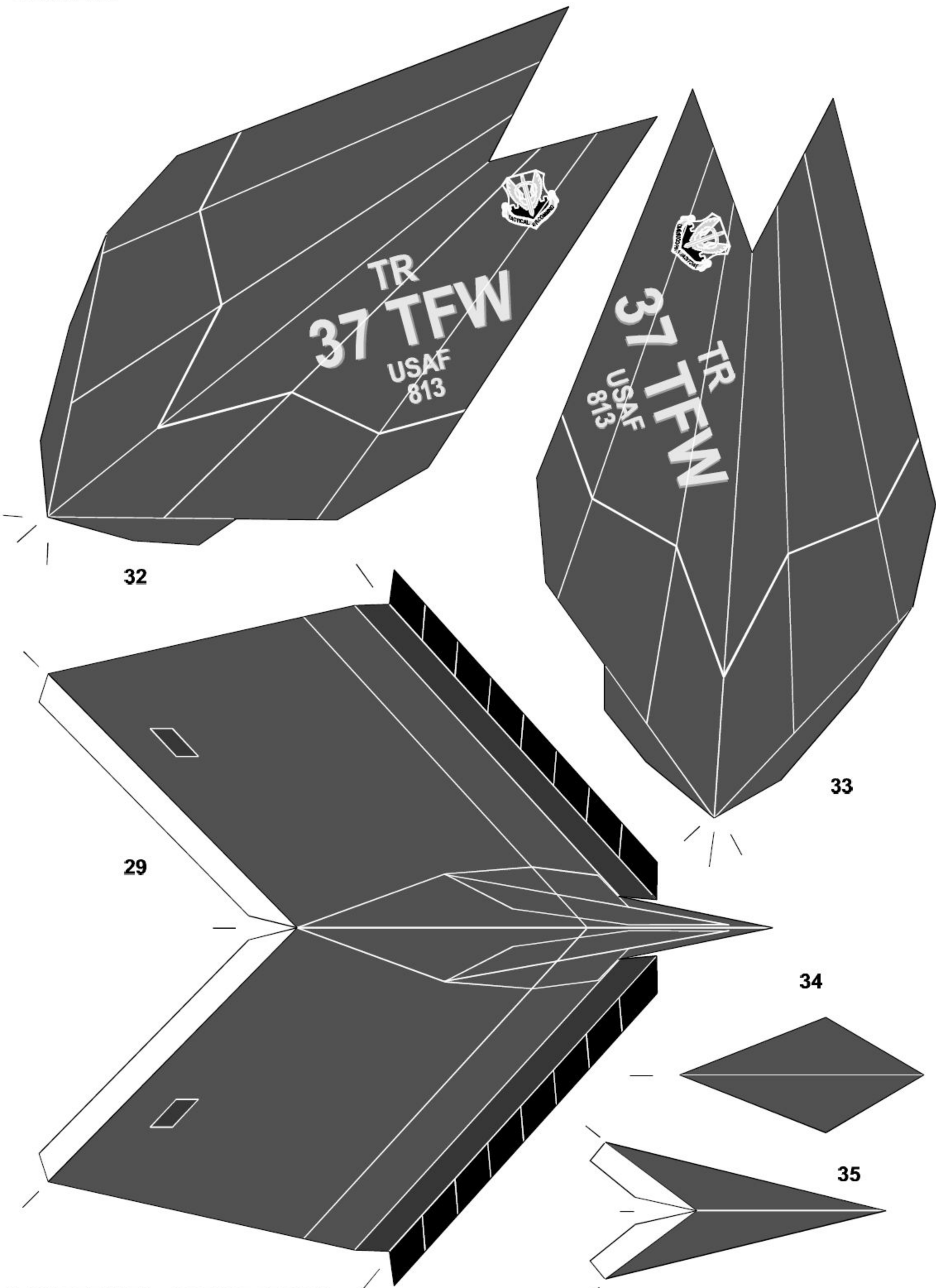
53

28a

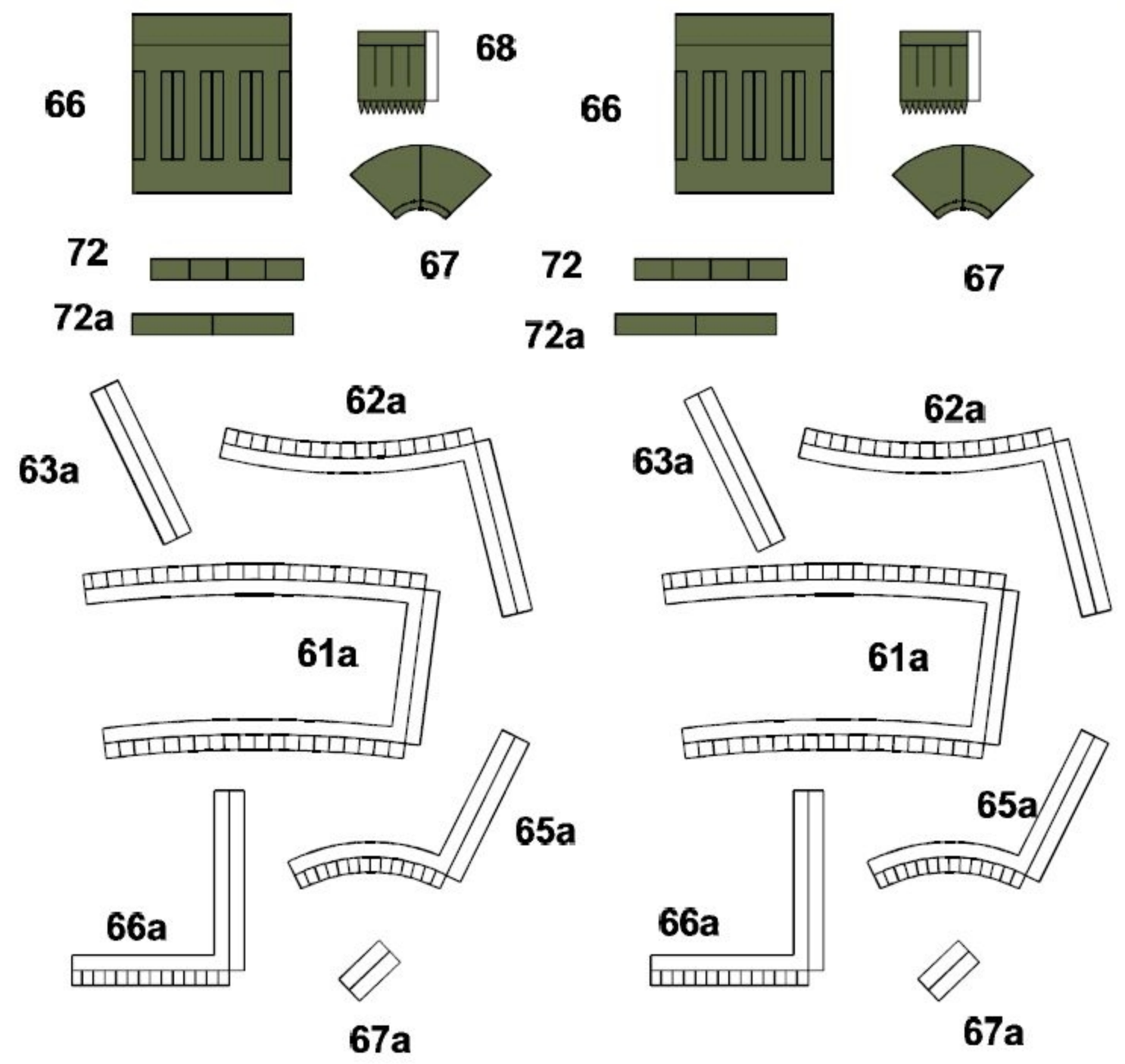
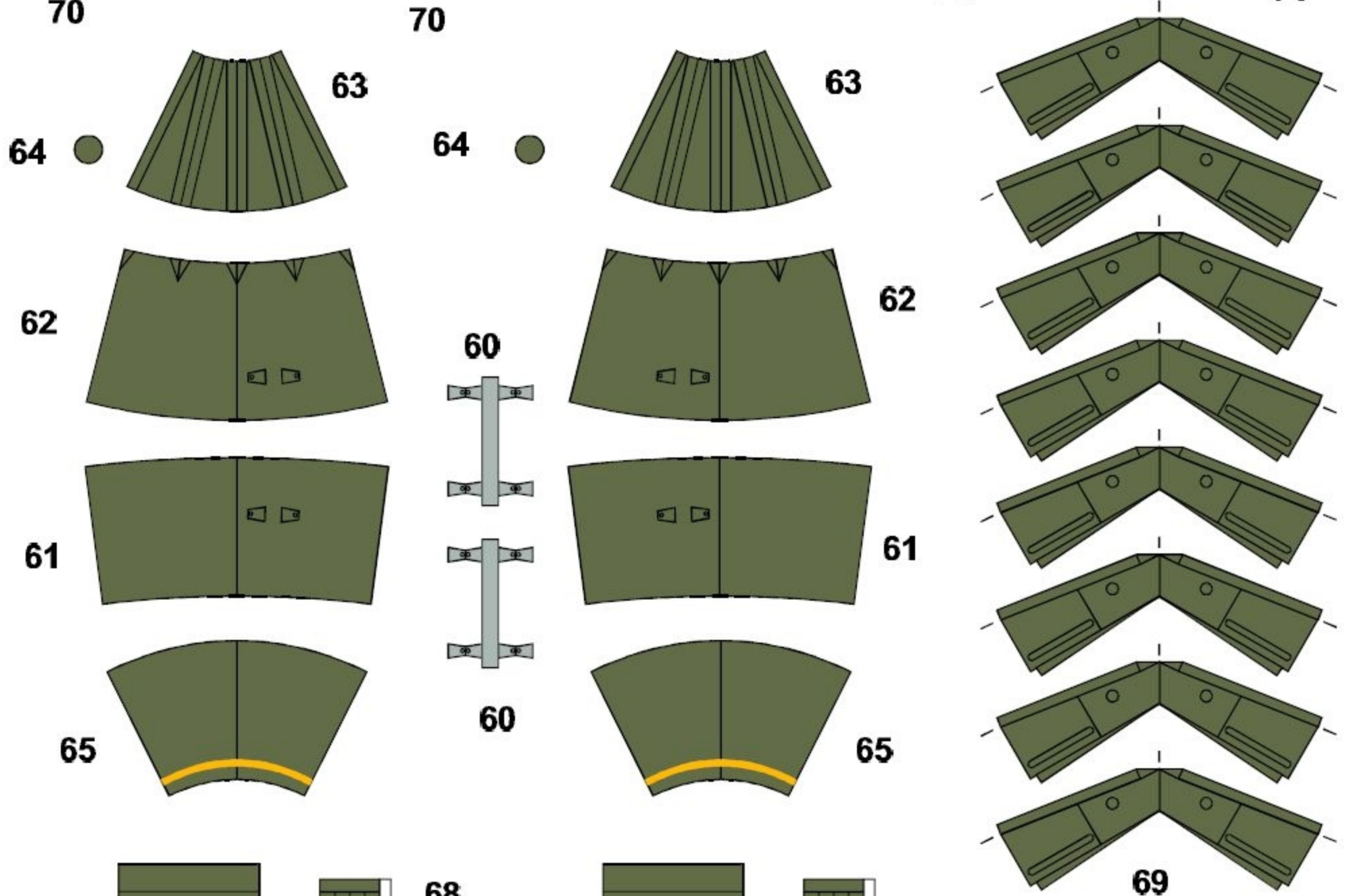
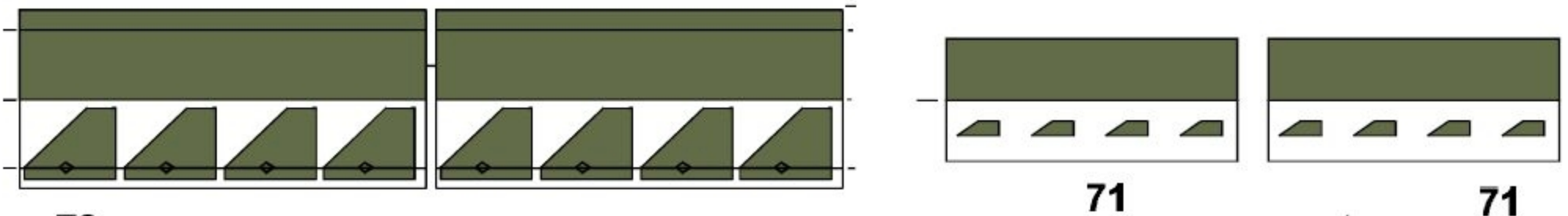
26

27

F-117 STEALTH - DESERT STORM

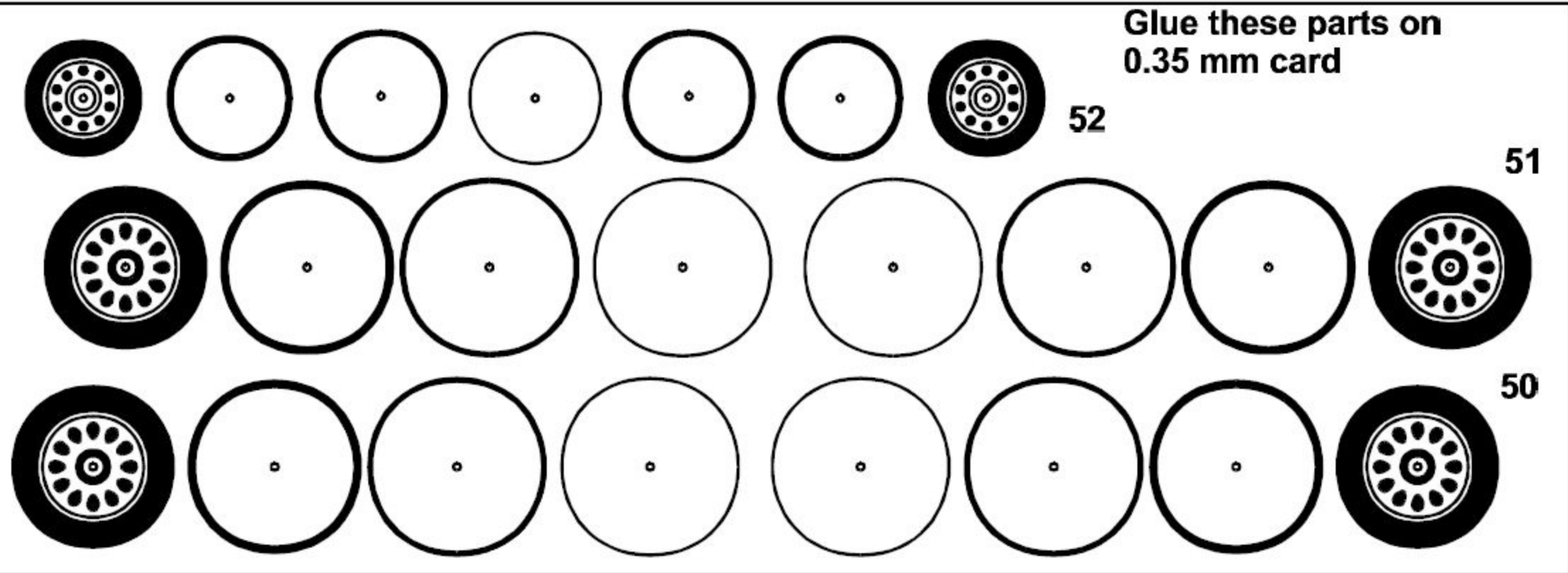
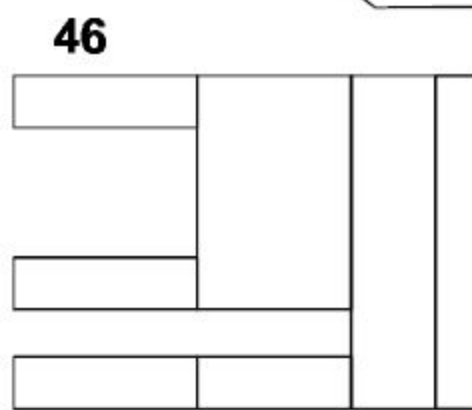
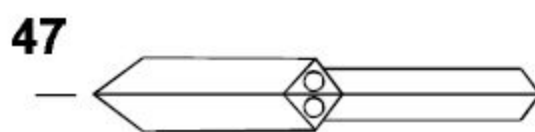
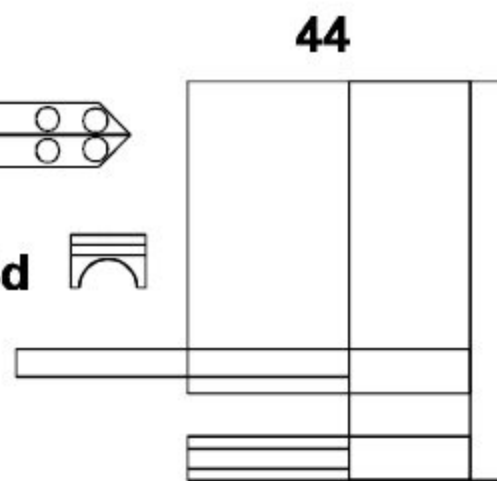
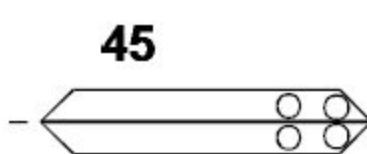
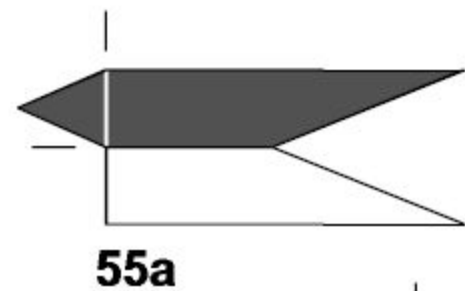
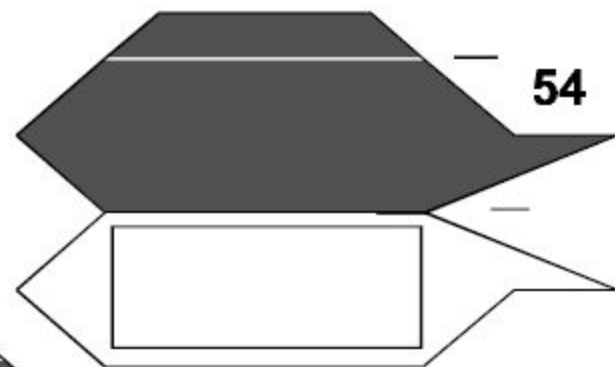
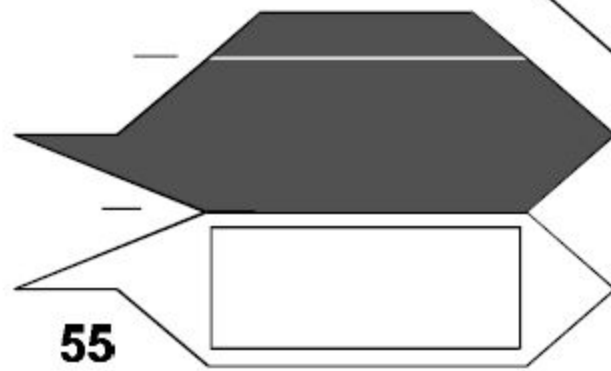
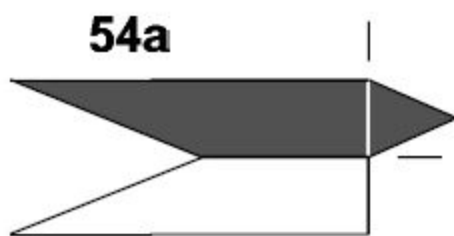
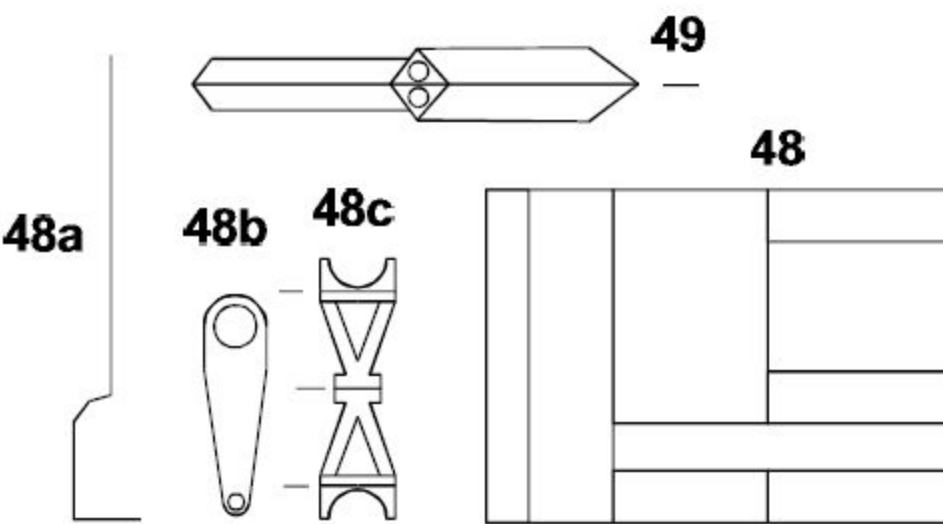
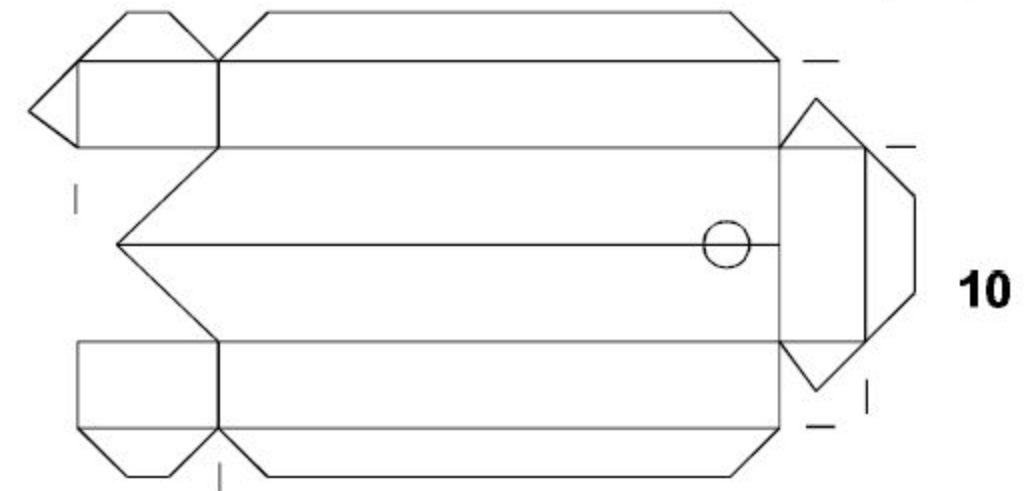
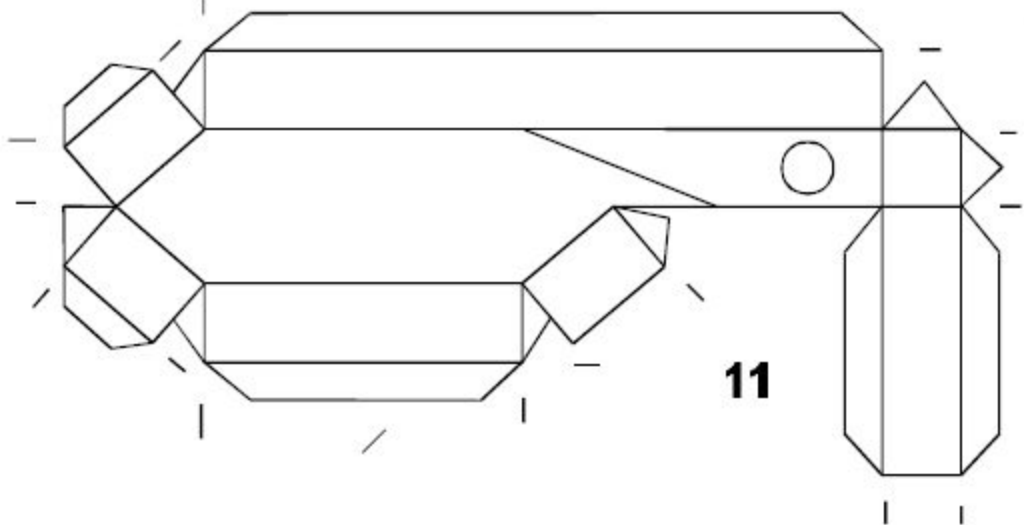
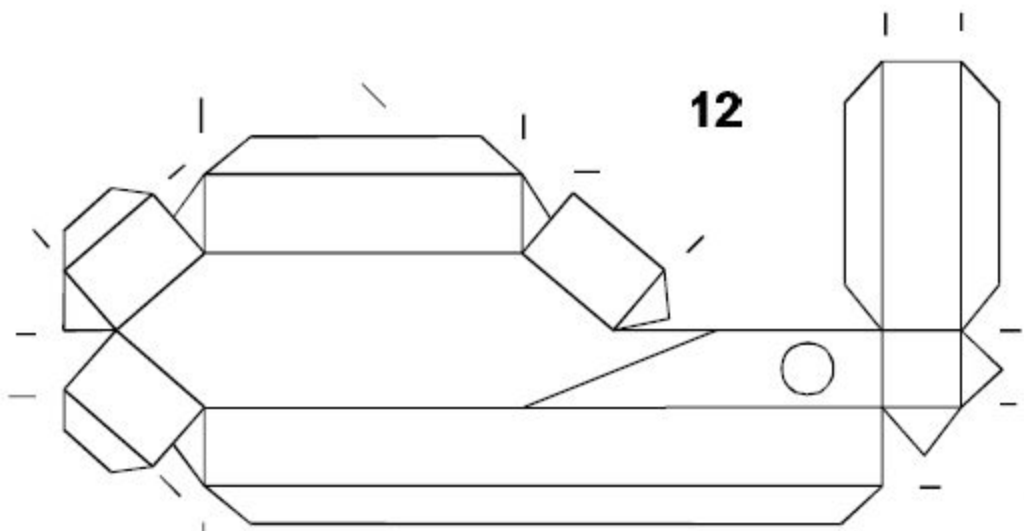


F-117 STEALTH - DESERT STORM

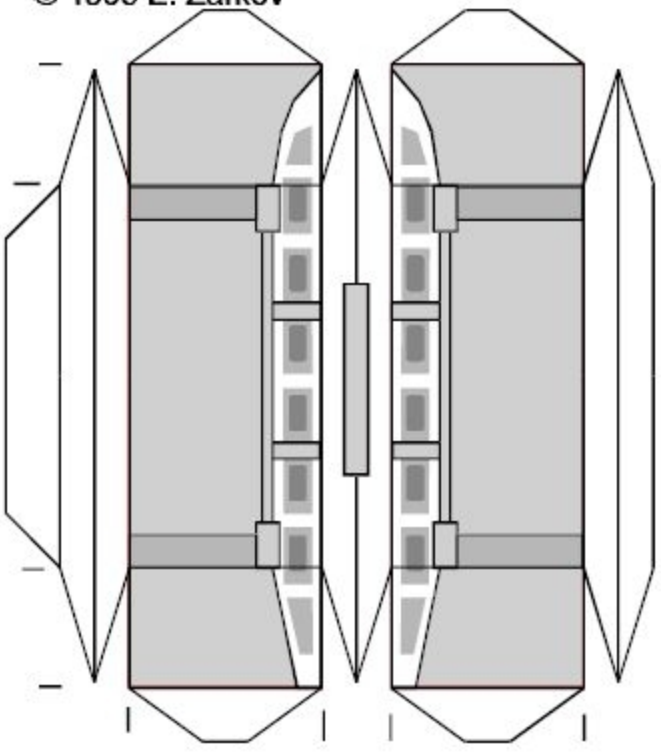


**Glue these parts on 0.35 mm card**

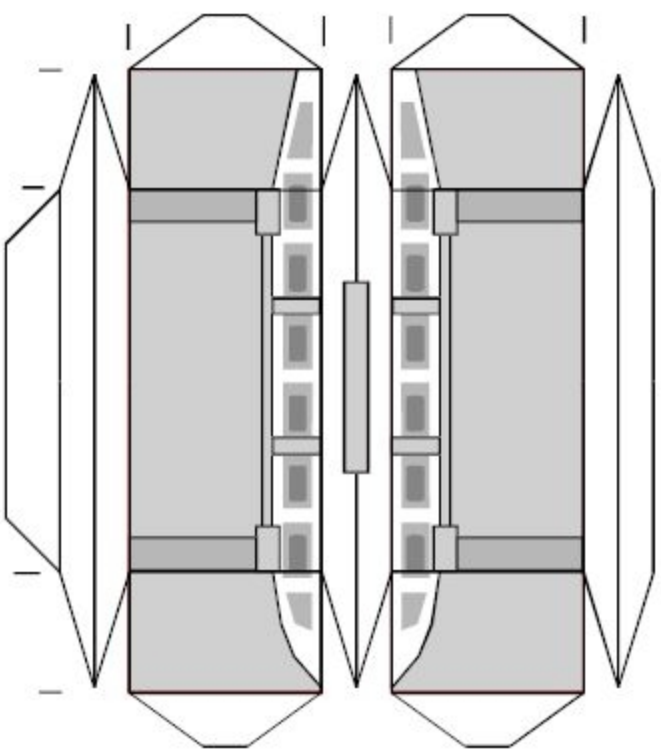
66b ○ ○  
65b ○ ○  
61b ○ ○  
61c ○ ○  
62b ○ ○



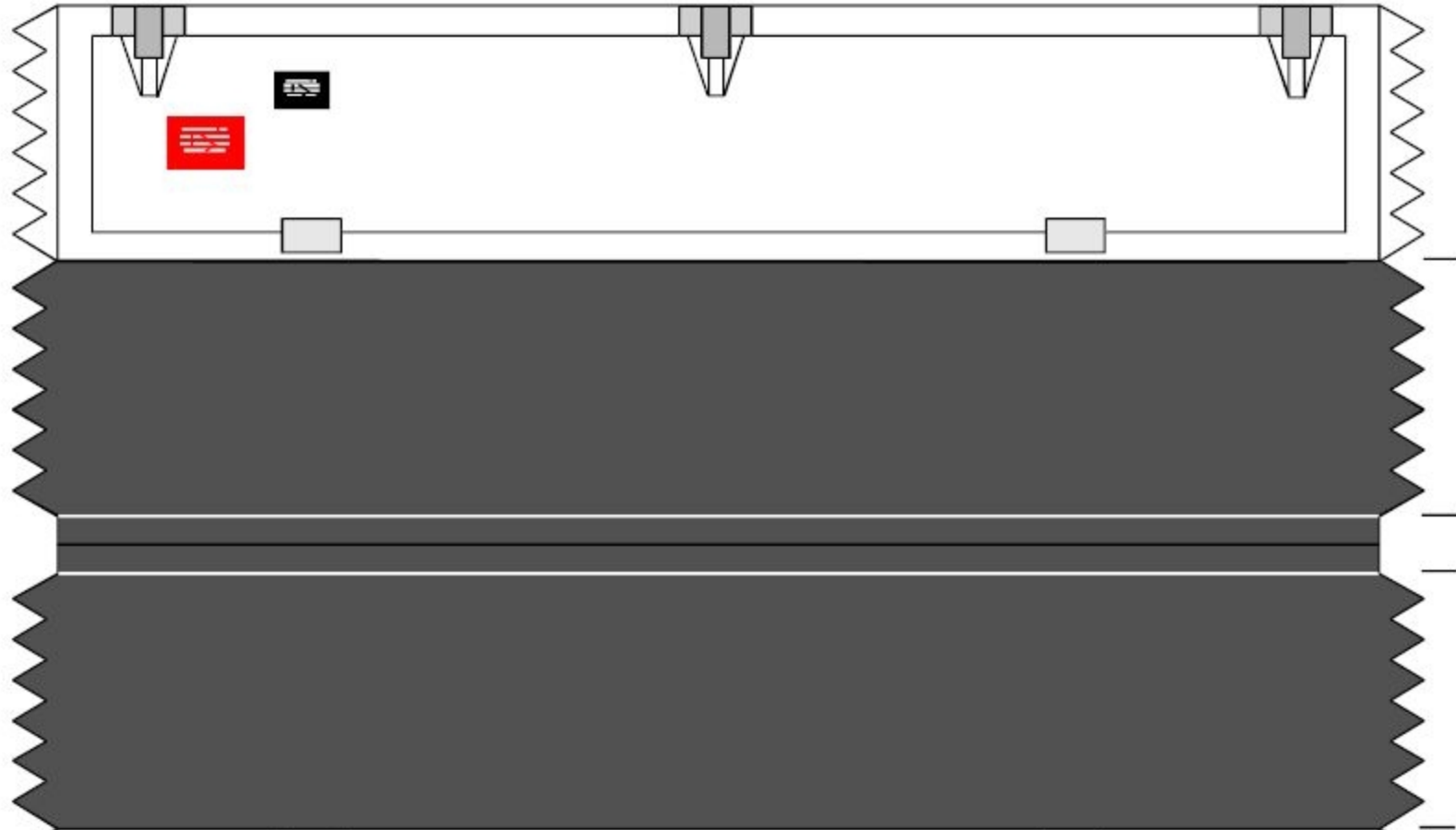




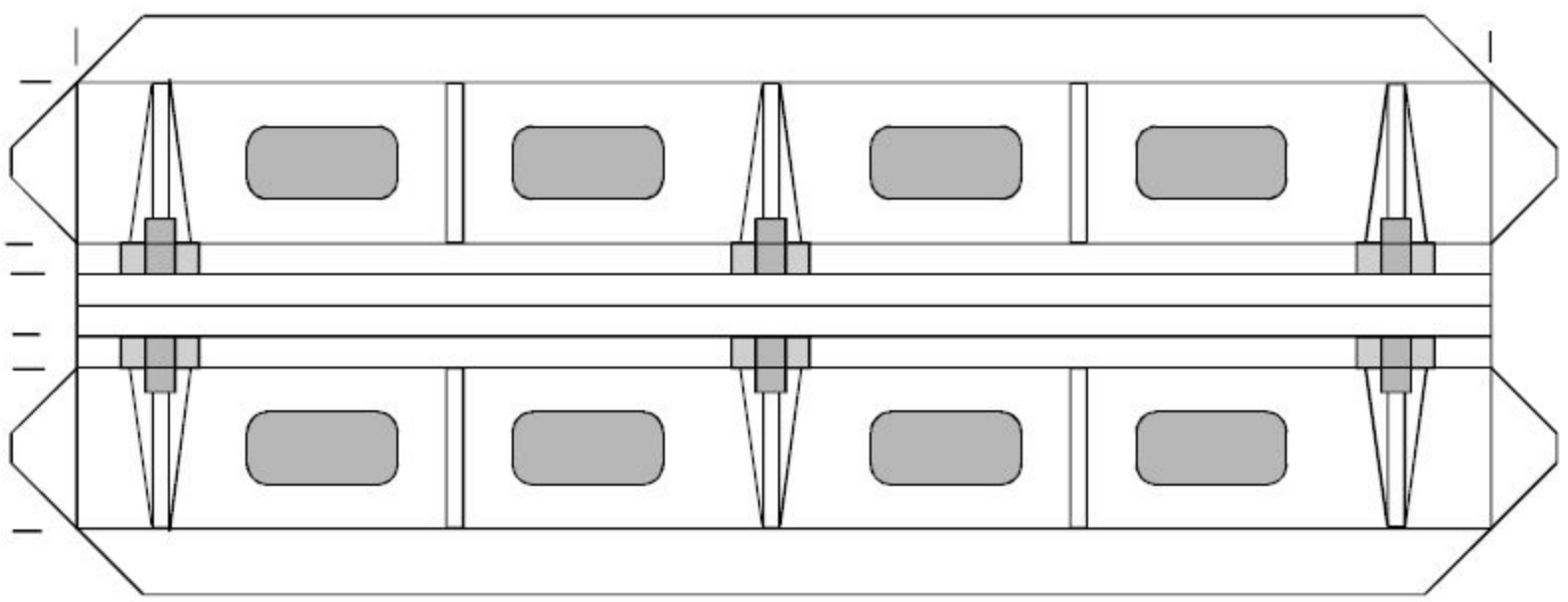
58



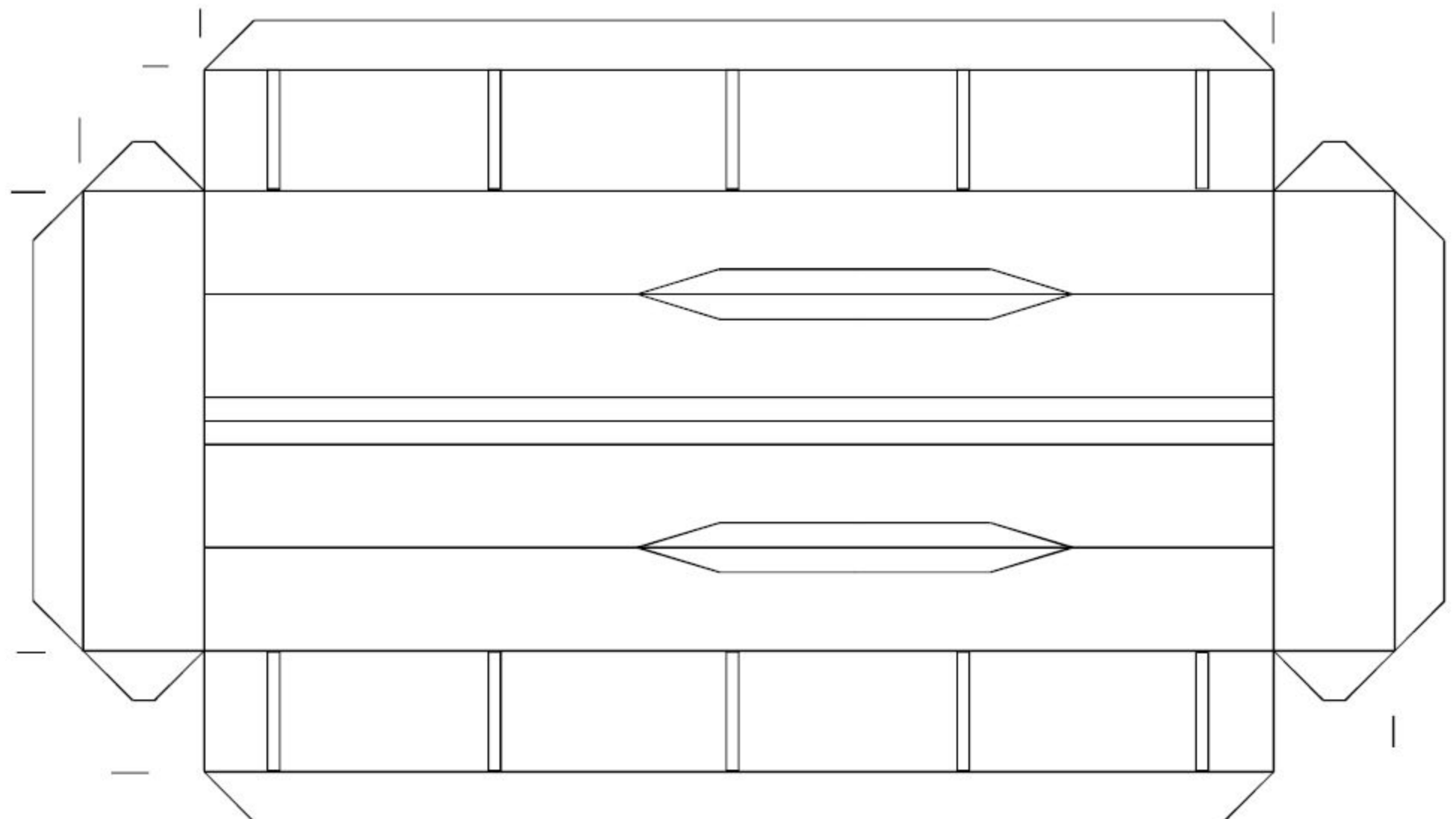
57



59

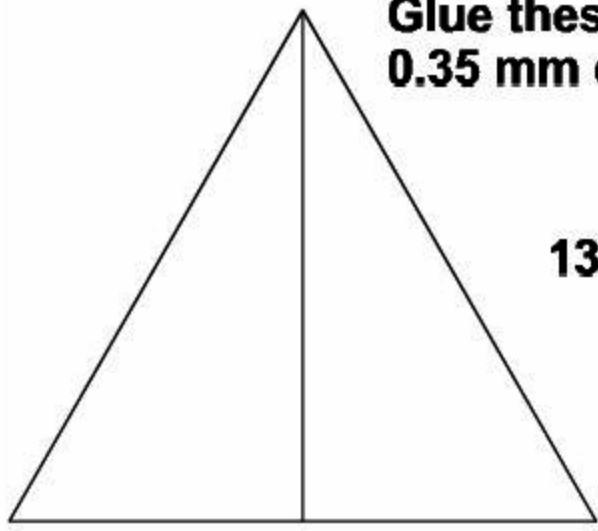


9a



9

Glue these parts on  
0.35 mm card

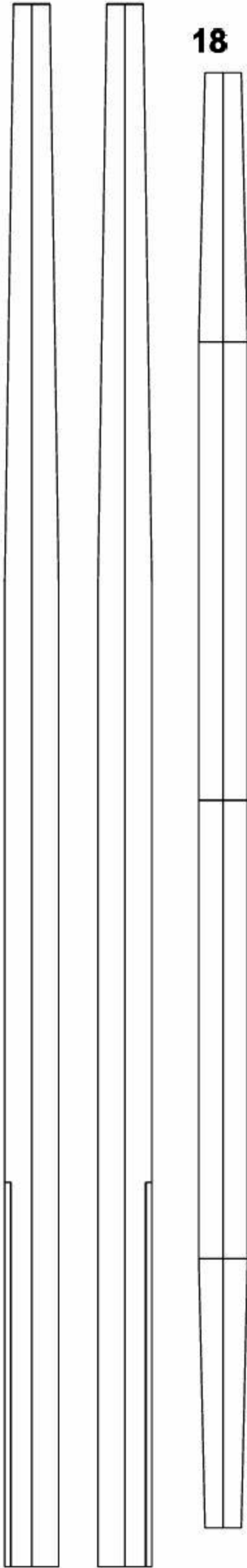


13

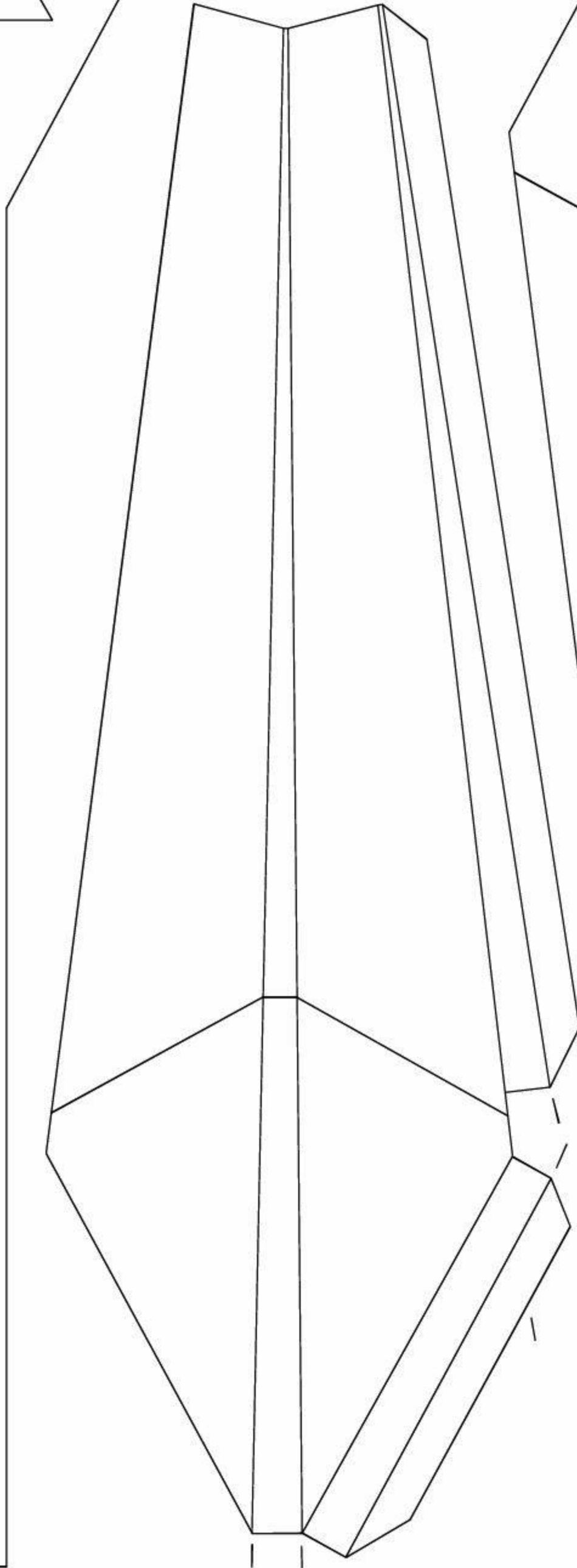
16

17

18



15



14

