



# Aircraft/Luggage Tow Tractor

*1/32 SCALE PRECISE CARD MODEL*



## Table of Contents

	File Name	Contents	Print on...
1	<a href="#">EULA.htm</a>	Terms Of Use	Read before printing
2	<a href="#">PrtInstrCDDL.htm</a>	Printing Guide	Read before printing

3	<a href="#">TT_01_A01.pdf</a>	assembly instructions	normal paper
4	<a href="#">TT_02_E01.pdf</a>	exploded views	normal paper
5	<a href="#">TT_03_E02.pdf</a>	exploded views	normal paper
6	<a href="#">TT_04_Civ_C01.pdf</a>	model's parts	card
7	<a href="#">TT_05_Civ_C02.pdf</a>	model's parts	card
8	<a href="#">TT_06_Civ_C03.pdf</a>	model's parts	card

*Remark: All pages are in A4 European format. You can use LETTER format instead*

## **papermodels.co.il end user license agreement**

This is a legal and binding agreement ("end user license agreement") between you, the authorized user of the papermodels.co.il proprietary documents paper kits (the "files"), and papermodels.co.il by purchasing the use of the files, you are consenting to be bound by this agreement.

### **1. Limited use license**

In consideration of your agreement to be bound by the terms of this agreement, papermodels.co.il hereby grants to you a non-exclusive, non-transferable license to download or purchase on a cd, a file or files as appropriate to the fee paid, to use these file(s) internally on a single computer, print out the file(s) (solely for internal use), and distribute the printed copy(ies) of the file(s) internally, according to the terms and conditions of this agreement. all rights not expressly granted herein are retained by papermodels.co.il and its licensors, as the case may be.

### **2. Limitations**

The files are protected by international copyright laws and international treaties. you may not modify or prepare derivative works from the files. you may not copy (except as set forth herein), sell, rent, lease, sublicense, assign, loan, time-share, share through an internal computer network or otherwise transfer or distribute (except as set forth herein) the files. you may make a reasonable number of copies of the files for backup or archival purposes only, as long as papermodels.co.il's copyright notices are reproduced on such copies. you shall not, and shall not permit a third party to remove any identification, copyright or other notice from the files.

### **3. Ownership of files**

This license is not a sale of the files or any copy thereof. all worldwide ownership of and rights, title and interest in and to the files, and all copies and portions thereof, including without limitation, all copyrights, trademark rights, trade secret rights and other proprietary rights therein and thereto, are and shall remain exclusively of papermodels.co.il and its licensors.

### **4. Termination**

The license granted herein is effective until terminated. the license will terminate immediately without notice if you fail to comply with any material provisions of this license agreement. upon termination you shall destroy or return to papermodels.co.il all copies of the files or portions thereof. the provisions of this license agreement other than the license grant herein, shall survive termination.

### **5. Disclaimer**

papermodels.co.il provides the documents "as is". papermodels.co.il makes no warranties with respect to the documents or the availability of papermodels.co.il on the world wide web, express, implied or statutory, and papermodels.co.il expressly disclaims all other warranties, including but not limited to the implied warranties of due care, satisfactory quality, non-infringement of third party rights, merchantability and fitness for a particular purpose.

## **6. Limitations of liability**

You agree that in no event will papermodels.co.il or its licensors be liable to you or any third party claiming through you for the results of your use of the documents, your inability or failure to conduct your business, or for any special, incidental, consequential, indirect or punitive damages even if papermodels.co.il has been advised of the possibility of such damages. the cumulative liability of papermodels.co.il and its licensors to you for all claims arising under this agreement, whether in contract or tort, including negligence, shall not exceed the list price of the documents.

**papermodels.co.il** ©  
2003

# Printing Instructions for ModelArt Kits (CD/Download)

All the kits are designed for printing on European A4 (210x297 mm) format. The Legal (8.5"x14") format can be used instead.

The card parts should be printed on 160 g/m<sup>2</sup> card sheets.

In some of the kits backside printing of some of the pages is needed, so that the highly visible interior not to be in white color. It is optional.

The paper parts should be printed on 80 g/m<sup>2</sup> paper sheets.

Some of the paper sheets that contain the reinforcing elements should be glued on 450 g/m<sup>2</sup> heavy card.

The assembly instructions and covers can be printed on any paper.

There is also an option for printing transparent parts of the canopy, gun sights, landing lights and internal armored plates on transparent foil.

**USE ONLY AN APPROPRIATE THERMOPROOF FOIL** for their printing on laser / LED printers, referring to the printer's guide for choosing the correct media.

**USING AN INAPPROPRIATE MEDIA CAN SERIOUSLY DAMAGE YOUR LASER PRINTER!**

The same holds true for the metal-coated parts that are also optional for some of the kits. These parts should be printed on a special coated metal covered paper on inkjet printer. They are intended to substitute the original kits' parts that are painted in metallic gray color in the basic kits pages.

**DO NOT TRY** to print them on metal-coated paper by laser printer! Metal-coated parts are only optional.

The HQ color laser printing is the most appropriate for printing the kits. It gives very pleasant semi-gloss finish and brilliant colors. Of course the kits can be printed on inkjets, but probably the better solution is to contact the nearest print shop or cop center if you have not access to such devices.

Don't forget to switch OFF any color correction in the printing settings for correct color matching.

## **Assembly Instructions for ModelArt 1/32 scale Aircraft Tow Tractor**

Examine the exploded views along the reading of the following instructions.

### **View A**

Start with the front end of the chassis, part#3 and form it into a box. Glue 4a, 5a on the back of 4, 5. Punch holes in 4, 5 for the front axle and glue 4 on the right side of 3, and 5 on the left side of 3. Make sure that the longer ends of 4, 5 are toward the front.

Roll 26 into a narrow pipe and insert it into the holes in 4, 5. You may use a metal wire or a tooth pick instead. Continue with the front wheels. Cut out the white areas from 28a. Punch holes in the centers of 28b, 28c. Form 28d into a ring, color inward and glue 28e inside, color inward too. Glue 28d/e in 28a, colors on same side and glue 28a in 28 after forming it into a ring. Glue 28b on the opposite side of 28. Score the white circle shaped line in 28c, fold it to have a V shaped profile, and close it into as ring. Glue 28c on both sides of the wheel, making sure that the gray slit marks on 28 and 28c, coincide. Make a ring from 28f, glue it on 28e and 28g on it.

Prepare the other five wheels in the same manner. Note that the inner rear wheels, are slightly different. Insert 27 into the holes in 6. Glue 26a on both sides of 26 and 29d on both sides of 27.

Attach 3 to 2 (its color outward), and 6 onto the rear of 2. Pay attention to the direction of 6. Make 3 cuts on the sides and upper end of the black rectangle, which is located on the left side of 1 and fold it to create a step. Glue 1, onto 2, 3, 6 and attach the 6 wheels.

### **View B**

Cut out the two white ellipses from 7, score and fold. The areas with the double fold lines, two in front and 3 on each side of 7, are to be curved along these lines, to form round edges. Double lines also appear on parts 10 and 13 and are to be treated in the same manner. Part 8, 9 are the head lights, and glue them into the holes, in the front end of 7. Glue 7 on 1 in front and 10 in the rear onto 6. Attach 11a onto 11 and glue it on 1, on the light gray area between 1 and 10. Glue 12 on top of 11 and onto 10. Glue 13 on the rear end of 7, on the left side. Glue part 17 onto the gray rectangle, on the rear end of 10.

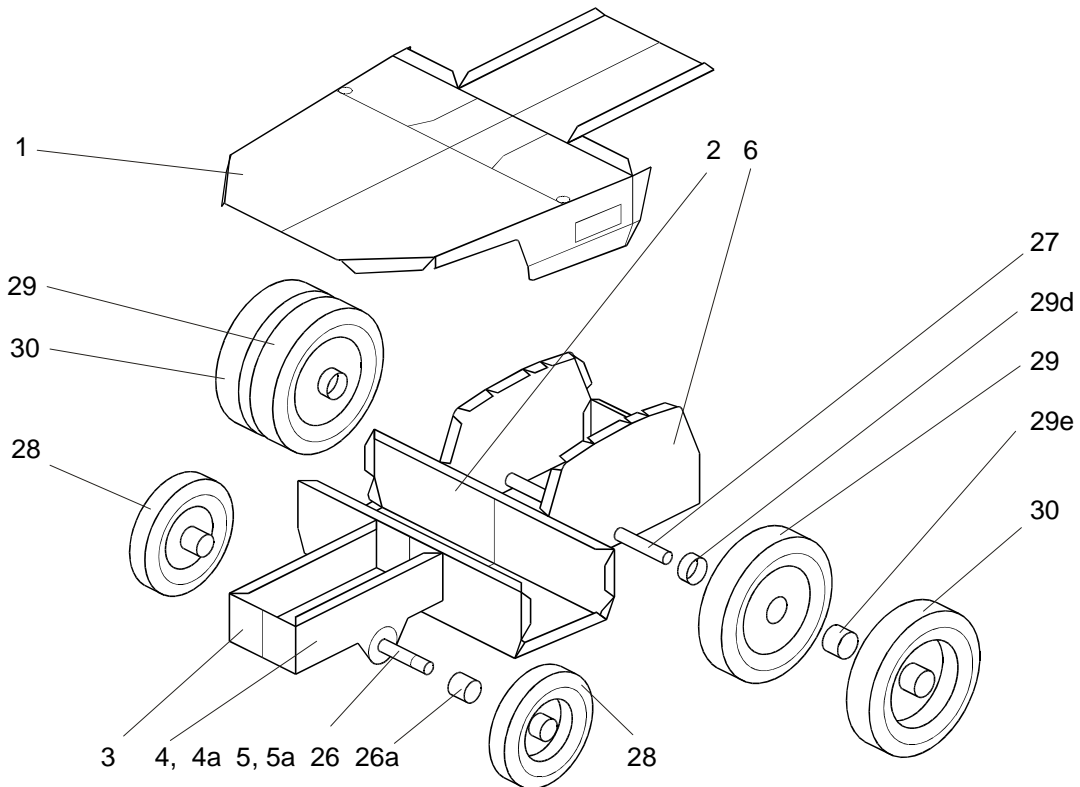
### **View C**

Parts 19 have human like shape, and they will be referred to as such, in order to better explain their assembly. Score along the gluing tabs and the according to the score marks on the sheet, in four parts 19. Cut them out, fold, curve, and first glue the two arms onto the areas with the triangle tabs. Glue the legs over the arms, after curving it properly. Fold and glue the head onto the legs. Each pair of parts 19, forms a seat. Fold parts 19a and glue 19b inside them. Glue parts 19 onto them and then onto 10. Prepare parts 14, 15, 16 and glue them in place as seen in the exploded view.

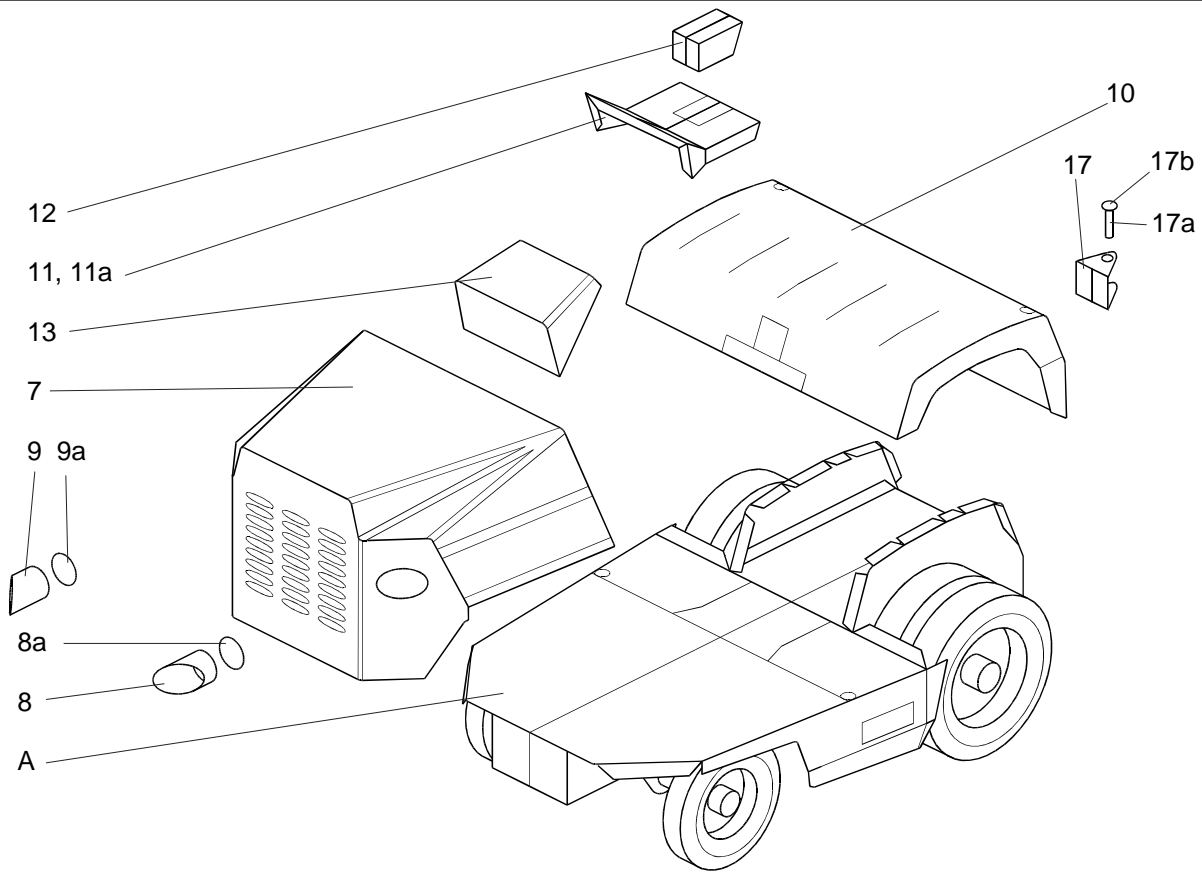
### **View D**

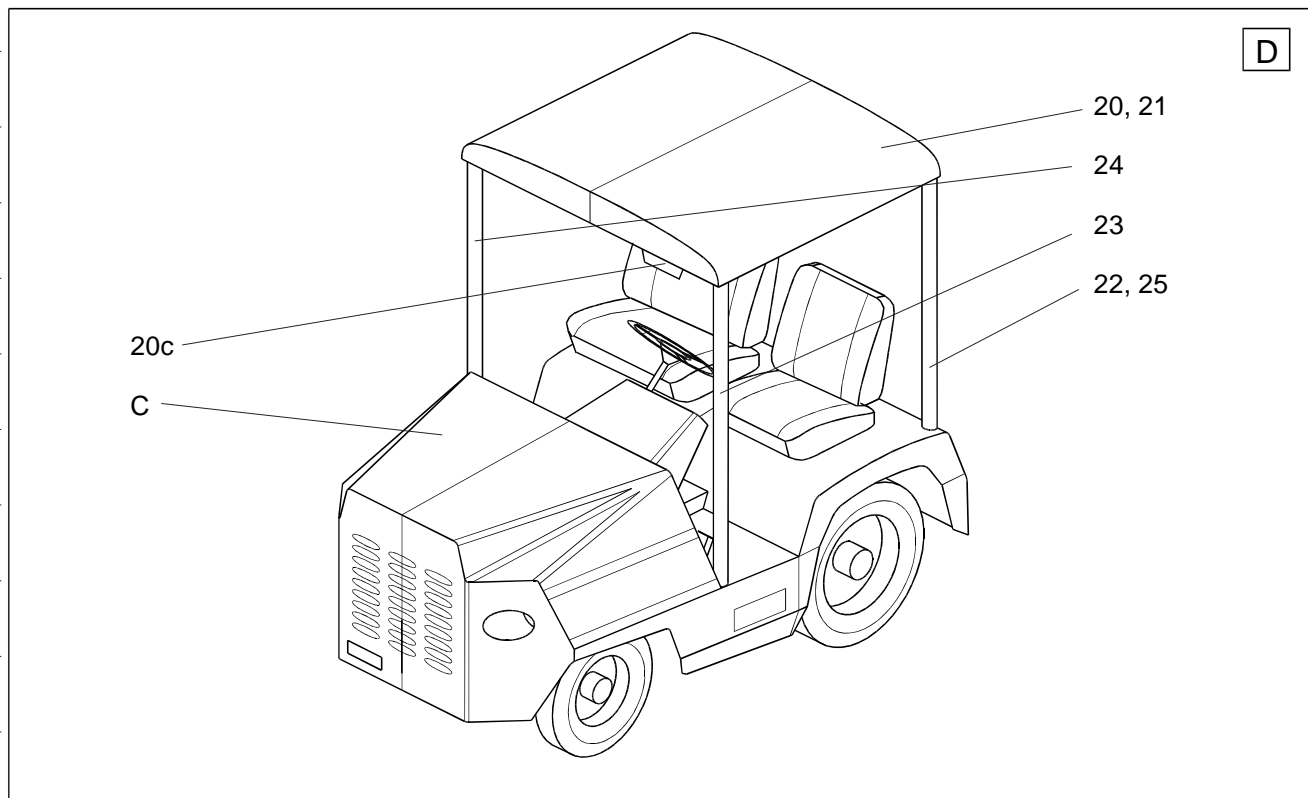
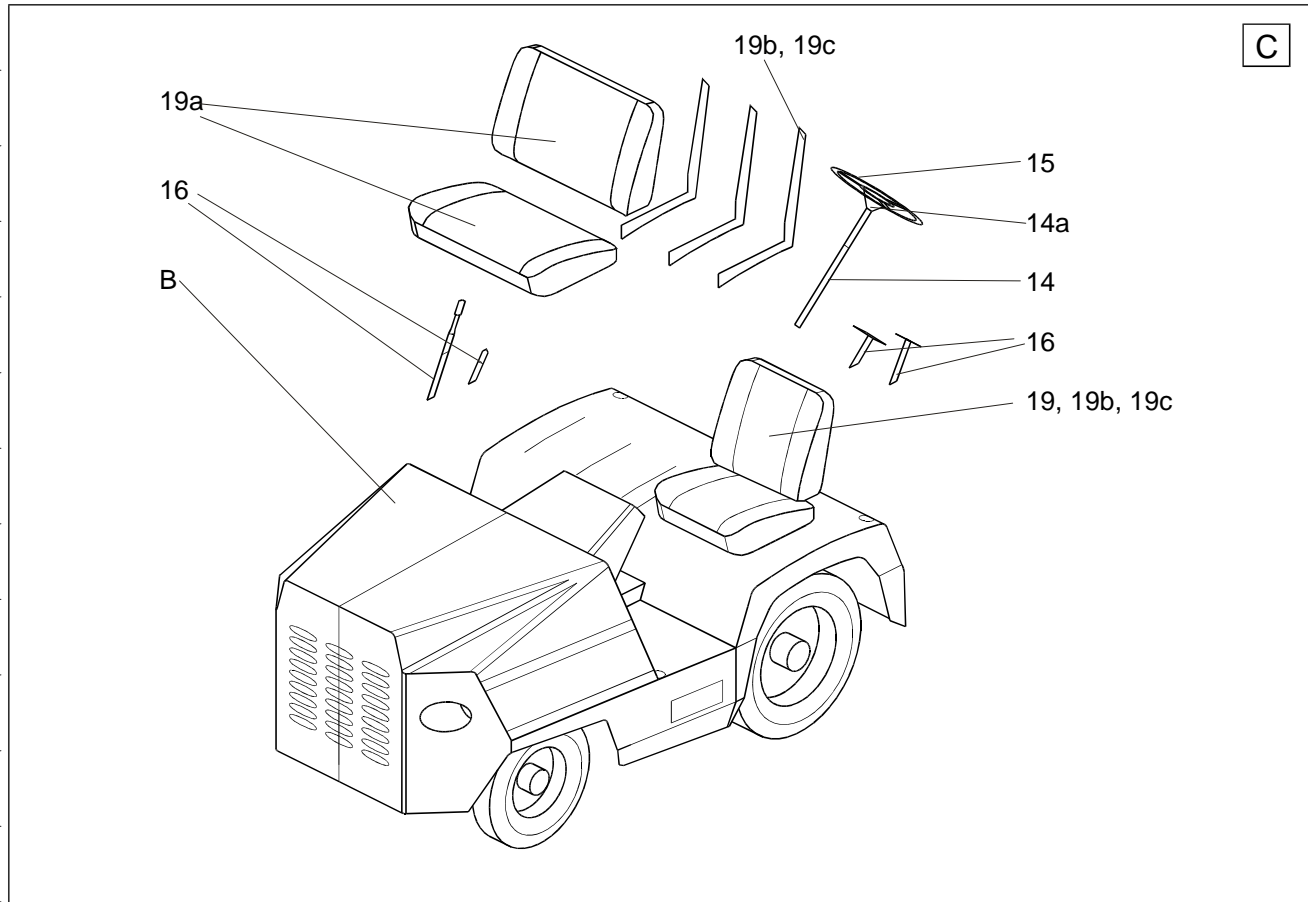
Roll parts 22 through 25 into pipes. You can leave only 1 mm of their gluing tab, if it is easier for handling. Glue the longer parts, 23, 24 in front, and the shorter ones in the rear, making sure that their top coincide with the shape of the roof edges. Score along the tabs on 20 and glue 20, 21 back to back. Curve them to get the shapes of 20a and bend the gluing tabs. Glue 20a, 20b onto the tabs, on the inner side of the roof. Glue 21a, 21b on the outside. Glue the rear view mirror, 20c, onto the front left side, and attach the roof to its four supports.

A

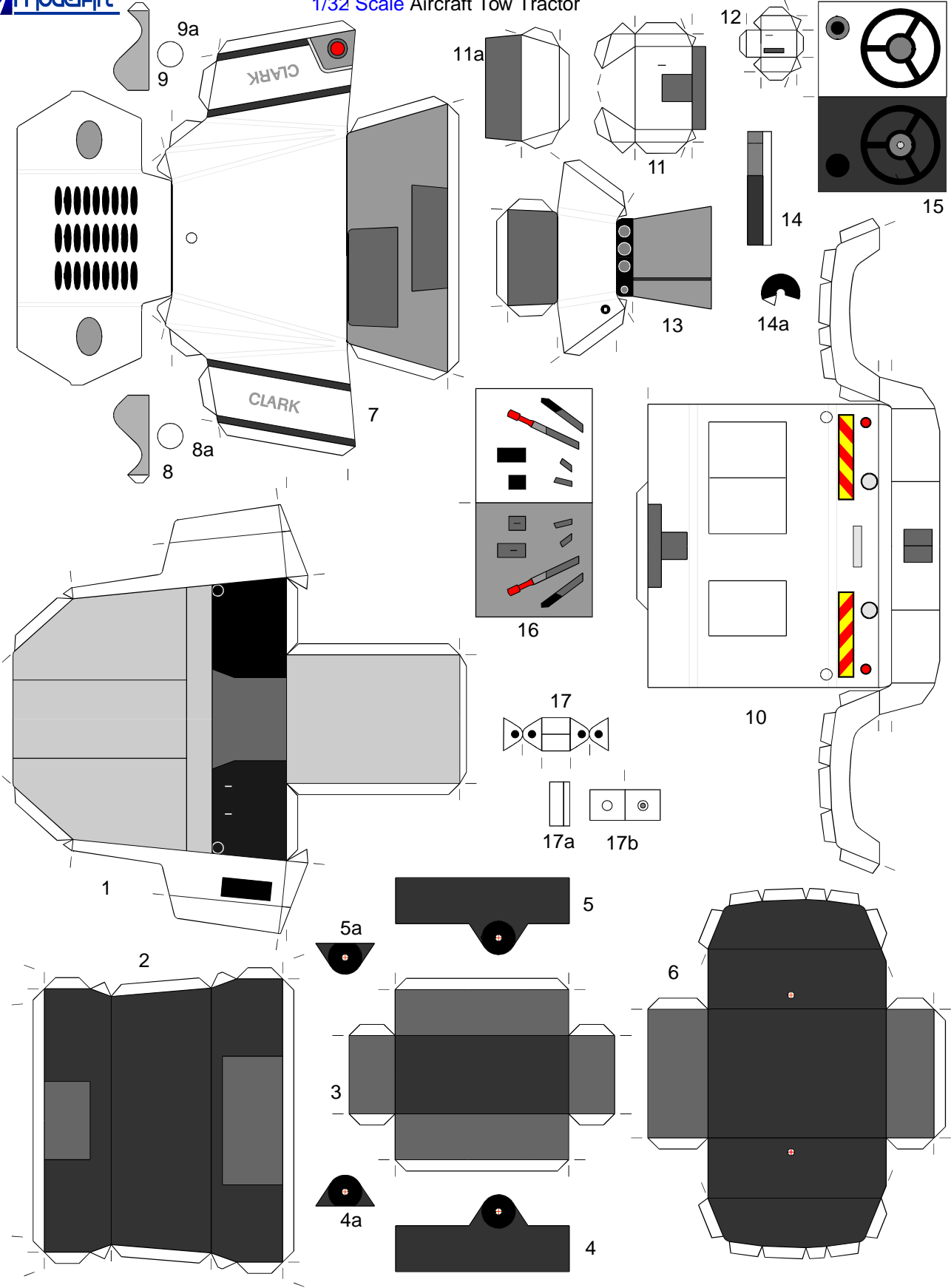


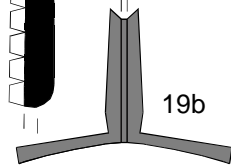
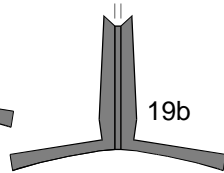
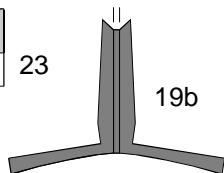
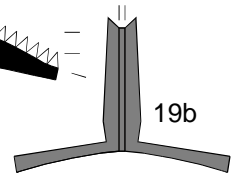
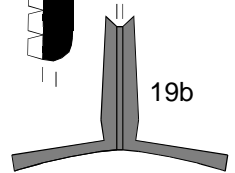
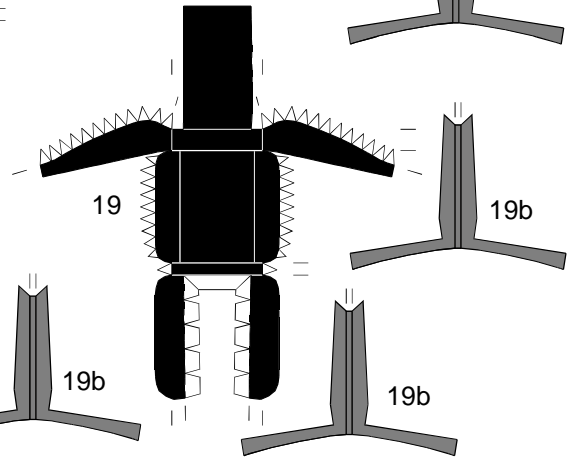
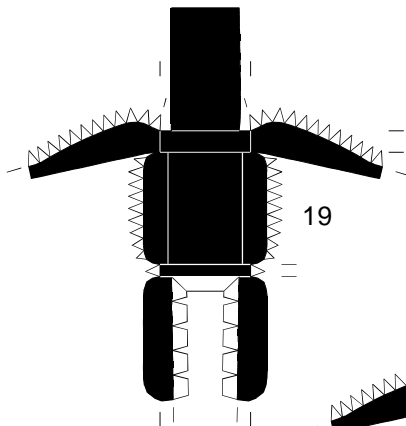
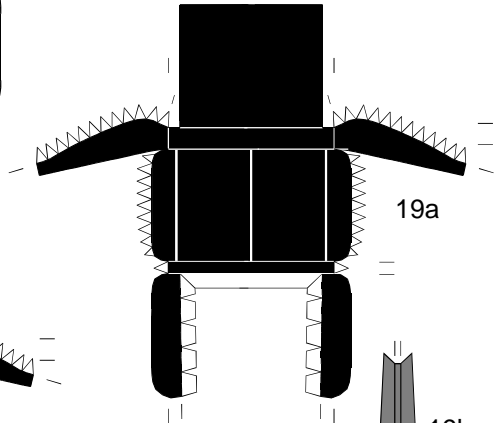
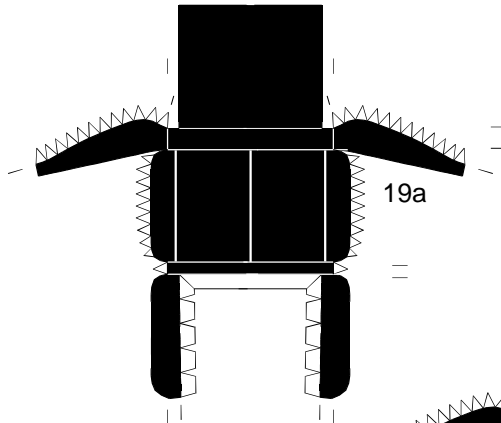
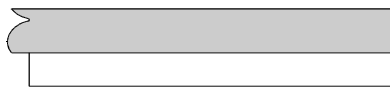
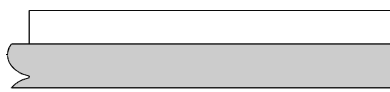
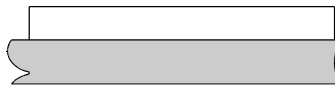
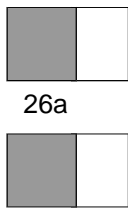
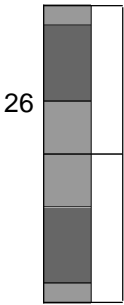
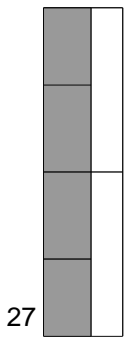
B











20a

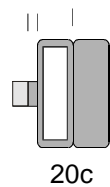
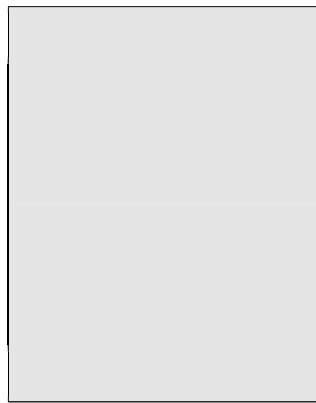
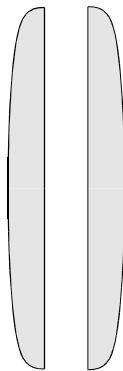
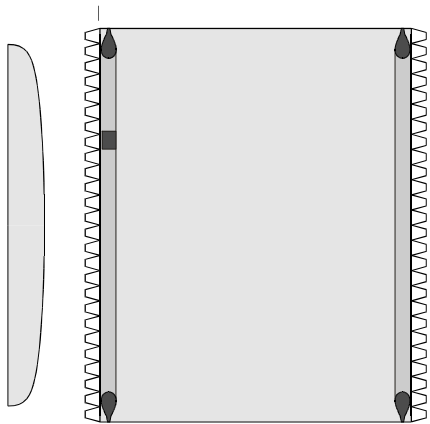
20

20b

21a

21

21b



20c

